



PARTS MANUAL PLATINUM COMMERCIAL DRYER

MODELS	GAS	ELECTRIC
	GD1329LGS2	GD1329LES2
	GD1329QGS2	GD1329QES2
	GD1329CGS2	GC1329CES2



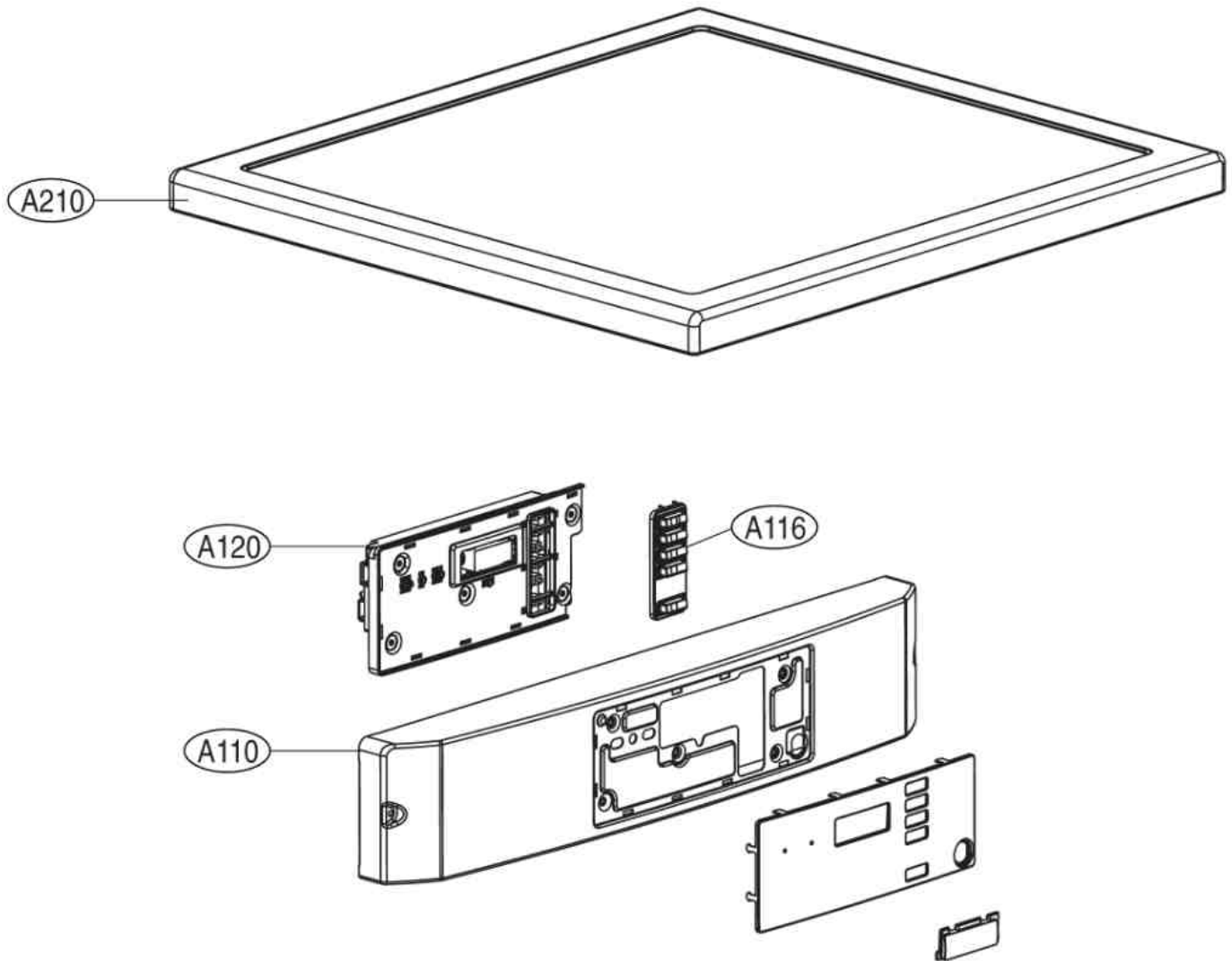
SIDExSIDE 11-2015

www.lg.com

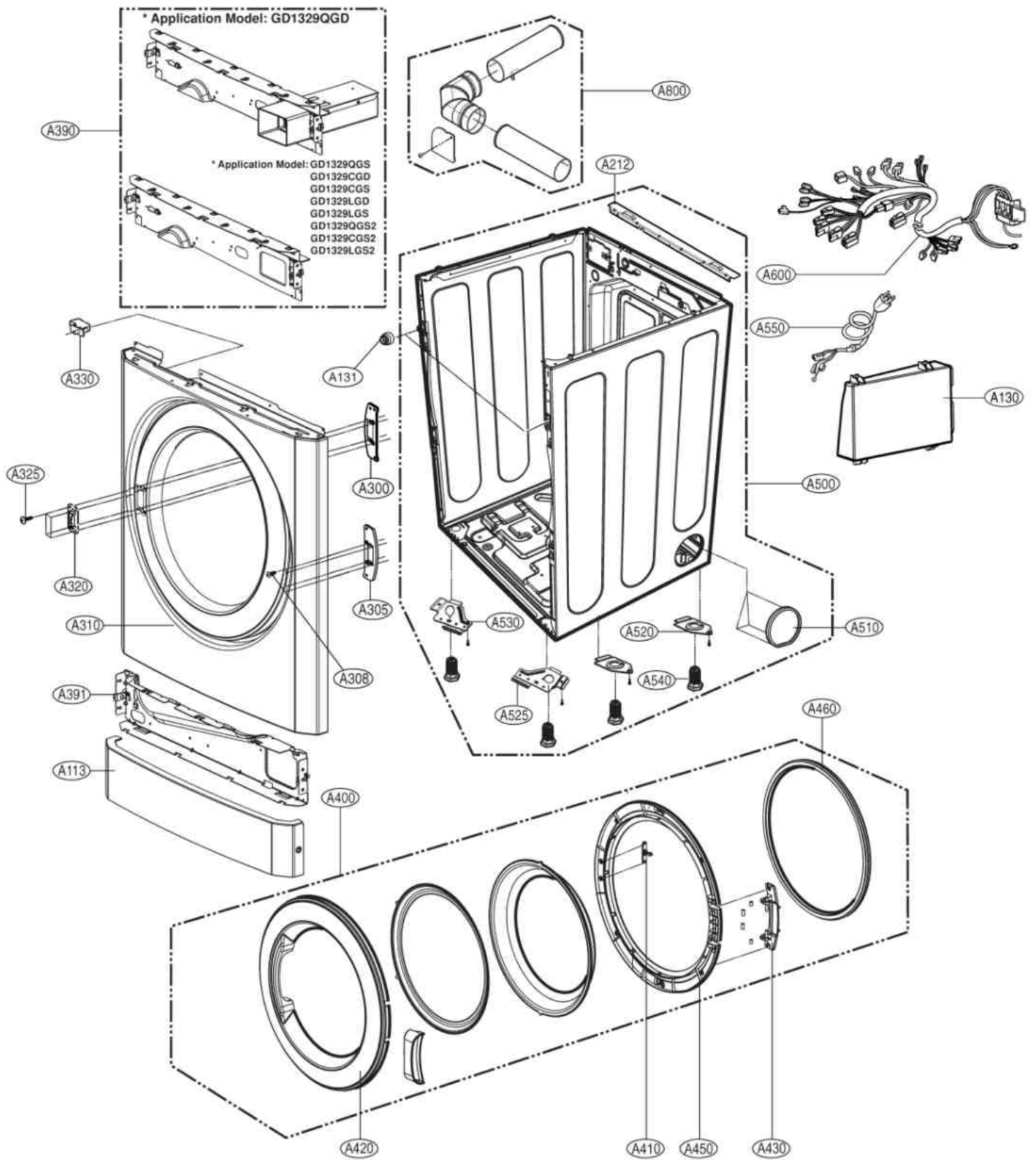
19

EXPLODED VIEW

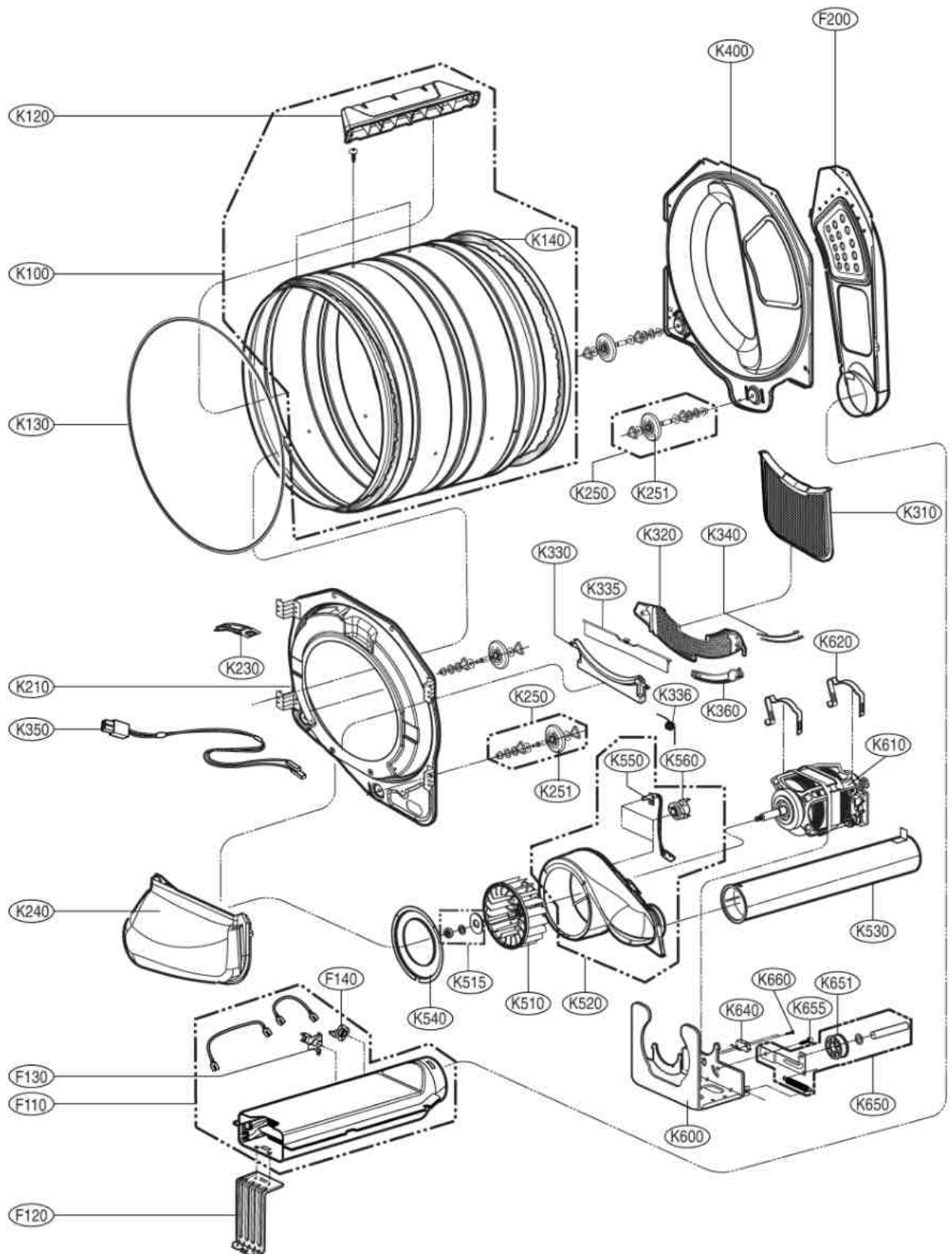
19-1-1. Control Panel & Plate Assembly - Coin / OPL Type



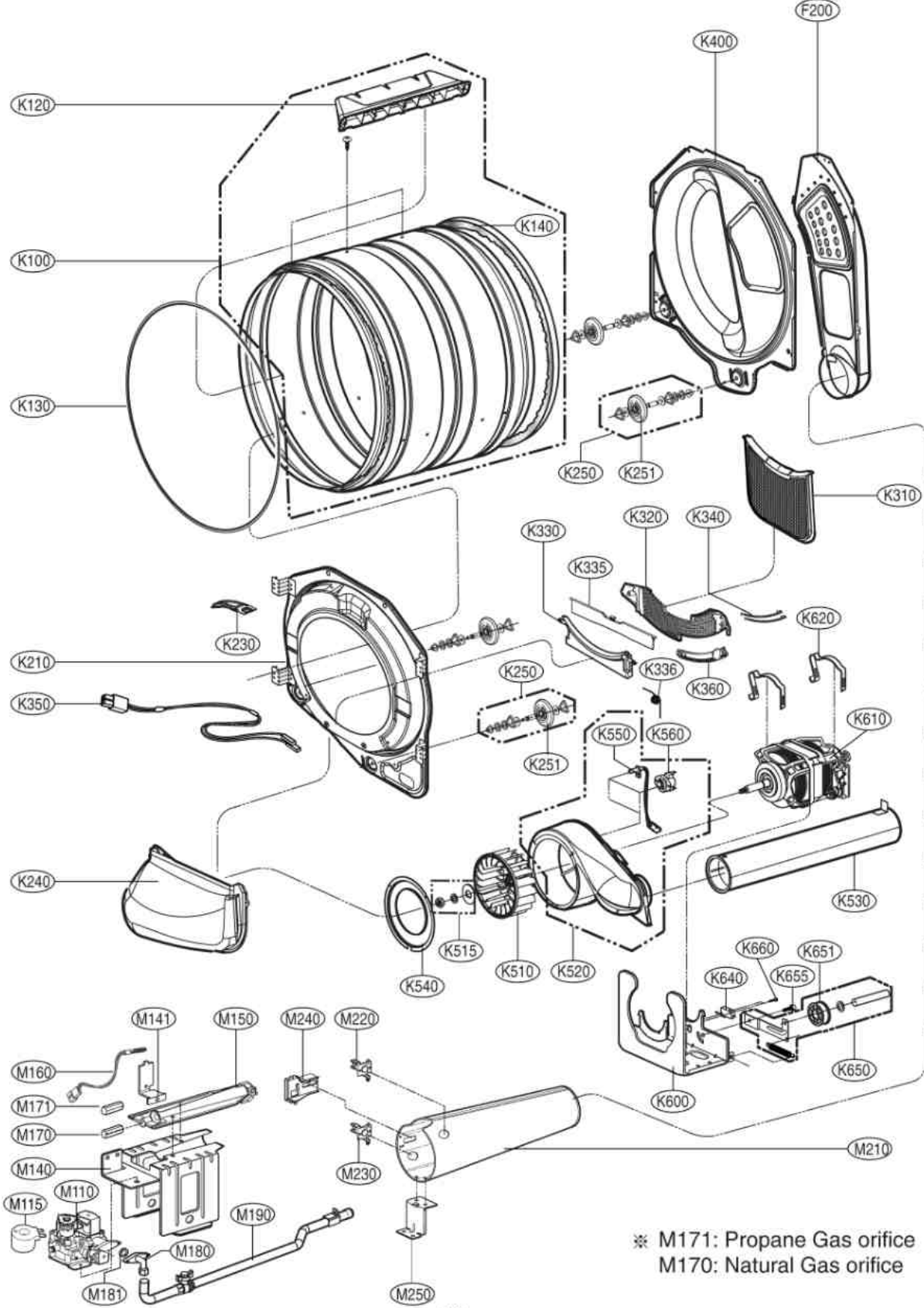
19-2-4. Cabinet & Door Assembly - Gas Stack Lower Type



19-3-1. Drum & Motor Assembly: Electric Type



19-3-2. Drum & Motor Assembly: Gas Type



※ M171: Propane Gas orifice
 M170: Natural Gas orifice

Loc No	Part No	Description(English)
*001	3829EL4001R	Manual Assembly,Owners
*004	MFL62119919	Manual,Service
A110	AGL73158243	Panel Assembly,(OPL)
A110	AGL73158271	Panel (CARD)
A110	AGL73158270	Panel (COIN)
A113	MCK63735303	Cover,Lower
A116	MBG62329502	Button,Control
A120	EBR64579201	PCB Assembly,Display
A130	EBR64583706	PCB Assembly,Main(OPL)
A130	EBR64583701	PCB main (CARD,COIN)
A131	AEJ33026601	Holder Assembly
A210	AGU30071269	Plate,Top (OPL,CARD)
A210	AGL30071272	Plate,Top (COIN)
A212	4930EL1005A	Holder
A300	MAZ47156202	Bracket,Hinge
A305	MAZ47156203	Bracket,Hinge
A308	1APF0402608	Screw,Taptite
A310	3551EL0011M	Cover Assembly,Cabinet
A320	4027EL1001A	Locker Assembly
A325	1MTC0402632	Screw,Machine
A330	6601EL3001A	Switch Assembly,Safety
A390	ADV30755804	Frame Assembly
A391	ADV30755203	Frame Assembly
A400	3581EL0002C	Door Assembly
A410	4026EL3007A	Locker,Hook
A420	3212EL1010B	Frame,Door(Outer)
A430	4774EL2001A	Hinge
A450	3212EL1005A	Frame,Door(Inner)
A460	4986EL2004A	Gasket
A500	ABJ34559289	Cabinet Assembly
A520	4810EL3001B	Bracket,Base
A525	4810EL3009E	Bracket,Base
A530	4810EL3009F	Bracket,Base
A540	4778EL3001B	Leg
A550	6411ER1005B	Power Cord Assembly
A560	3550EL3007D	Cover,Guide
A570	3550EL3002A	Cover,Safety
A600	EAD61177501	Harness,Multi
A800	383EEL9001B	Parts Assembly
F110	5301EL1001A	Heater Assembly
F120	4810EL1007A	Bracket,Heater
F130	6931EL3003D	Thermostat
F140	6931EL3001E	Thermostat Assembly

Loc No	Part No	Description(English)
F200	5209EL1001C	Duct Assembly
K100	3045EL1002P	Tub Assembly,Drum
K120	4432EL1002A	Lifter
K130	4400EL2001A	Belt,Poly V
K140	4036EL3001A	Gasket
K210	AJQ73594002	Tub Assembly,Drum
K230	3550EL2001A	Cover,Lamp
K240	5209EL1002B	Duct Assembly
K250	4581EL2002C	Roller Assembly
K251	4581EL3001E	Roller Assembly
K310	5231EL1002E	Filter Assembly,Lint
K320	3550EL1006D	Cover,Guide
K330	4974EL1003D	Guide,Filter
K335	3550EL2004B	Cover,Filter
K336	4970EL4002C	Spring,Distortion
K340	6500EL3001A	Sensor Module
K350	6631EL3003B	Single Harness
K360	4930EL2004D	Holder
K400	3044EL0002C	Tub,Drum(Rear)
K510	5835EL1002A	Casing Assembly
K515	383EEL9001G	Parts Assembly
K520	MEK37661701	Housing,Blower
K530	5209EL1006A	Duct Assembly
K540	4975EL3001A	Guide Assembly
K550	6323EL2001B	Thermistor,NTC
K560	6931EL3002M	Thermostat
K600	4810EL1002A	Bracket,Motor
K610	4681EL1008A	Motor Assembly,DC,Drum
K620	4860EL3001A	Clamp
K640	EBF61734701	Switch,Micro
K650	4561EL3002A	Pulley Assembly,Motor
K651	4560EL3001A	Pulley,Idle
K655	1SZZEL3001A	Screw,Customized
K660	1TPL0303218	Screw,Tapping
M110	5221EL2002A	Valve Assembly,Gas
M115	383EEL9001J	Parts Assembly
M140	4974EL1001A	Guide,Burner
M141	4810EL3002A	Bracket,Base
M150	5201EL3001A	Pipe Assembly
M160	5318EL3001A	Igniter
M170	4948EL4001B	Orifice
M171	383EEL3002A	Parts Assembly
M180	4932EL4001A	Connector,Pipe
M181	4036EL3002A	Gasket
M190	5201EL1001A	Pipe Assembly
M210	3016EL1001A	Funnel
M220	6931EL3004B	Thermostat Assembly
M230	6931EL3003C	Thermostat
M240	6501EL3001A	Sensor Assembly
M250	4980EL3001A	Supporter,Holder