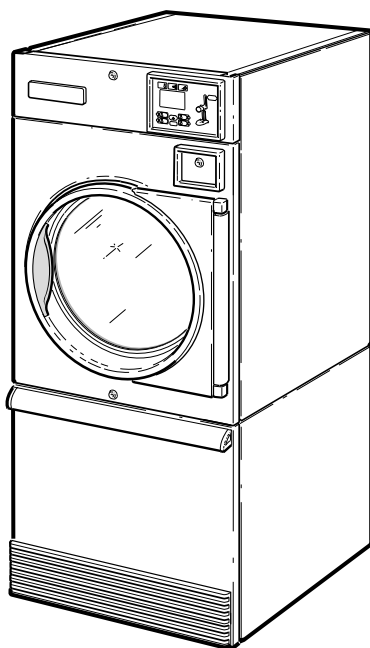


# Drying Tumblers

25 Pound Capacity

Models Starting Serial No. 0602004144

Refer to Page 5 for Model Numbers



T478C\_70409401

Parts



# Table of Contents

Title	Page
Parts Ordering Information.....	3
Serial Plate Location .....	3
Model Identification .....	5
Product Overview - Heat Source and Voltage .....	6
Product Overview - Control Suffixes (Drawing 1 of 3).....	8
Product Overview - Control Suffixes (Drawing 2 of 3).....	10
Product Overview - Control Suffixes (Drawing 3 of 3).....	12
Single Drop Control Components .....	14
Dual Digital Timer Control Components.....	16
DX4 Control Components .....	18
DMP Control .....	20
OPL Microprocessor Controls.....	22
Coin Drop Components for MDC Models.....	24
Coin Drop Components for MDC Models - Wire Harnesses.....	26
BY and BZ Control Option for MDC Models .....	28
Coin Drops .....	30
Coin Drop Kits.....	32
Coin Drop Components for NetMaster Models .....	34
Card Reader Components for NetMaster Models.....	36
Network Board for NetMaster Models.....	38
Coin Drop Components for Quantum Control.....	40
Card Reader Components for Quantum Control .....	42
Network Board .....	44
Communication Board .....	46
Coin Drop Components for Galaxy 600 Control .....	48
Card Reader Components for Galaxy 600 Control .....	50
UniLinc Control .....	52
LED OPL Control .....	54
Door Assemblies.....	56
Door Components.....	58
Hinge Components .....	60
Control Panels .....	62
Front Panel Assemblies .....	64
False Fronts .....	66
Cabinet Front Components.....	68
Emergency Stop Button for CE Models .....	70
Lower Cabinet Components .....	72
Lower Cabinet Components - S Models with Hinged Lint Door.....	74
Cylinder and Trunnion Assembly .....	76
Cylinder Components .....	78
Cabinet Components .....	80

© Copyright 2018, Alliance Laundry Systems LLC

All rights reserved. No part of the contents of this book may be reproduced or transmitted in any form or by any means without the expressed written consent of the publisher.

Fire Suppression System Components .....	82
Fire Suppression System Control Box .....	84
Drive Motor Components for Nonreversing Models .....	86
Drive Motor Components for Reversing Models .....	88
Blower Components .....	90
Moisture Sensing Components .....	92
Rotation Sensor .....	94
Airflow Switch .....	96
Gas Burner Housing and Secondary Stove Limit .....	98
Gas Valve Assembly - Non-CE and Non-Australian Gas Models .....	100
Burner Orifices - Non-CE and Non-Australian Gas Models .....	102
Gas Valve and Piping - CE and Australian Gas Models .....	104
Electric Heater Components .....	106
Steam Heater Components .....	108
Control Tray Harnesses for Gas Models .....	110
Control Tray for Non-CE and Non-Australian Gas Models .....	112
Control Tray Components for CE and Australian Gas Models - (Drawing 1 of 2) .....	114
Control Tray Components for CE and Australian Gas Models - (Drawing 2 of 2) .....	116
Control Tray Harnesses for Steam Models .....	118
Control Tray for Non-CE Steam Models .....	120
Control Tray for CE Steam Models .....	122
Control Tray Harnesses for Electric Models .....	124
Control Tray for Electric Models .....	126
Accessory Box Harnesses for Electric Models .....	128
Accessory Box for Non-CE Electric Models .....	130
Accessory Box for CE Electric Models .....	132
Parts Index .....	135

## Parts Ordering Information

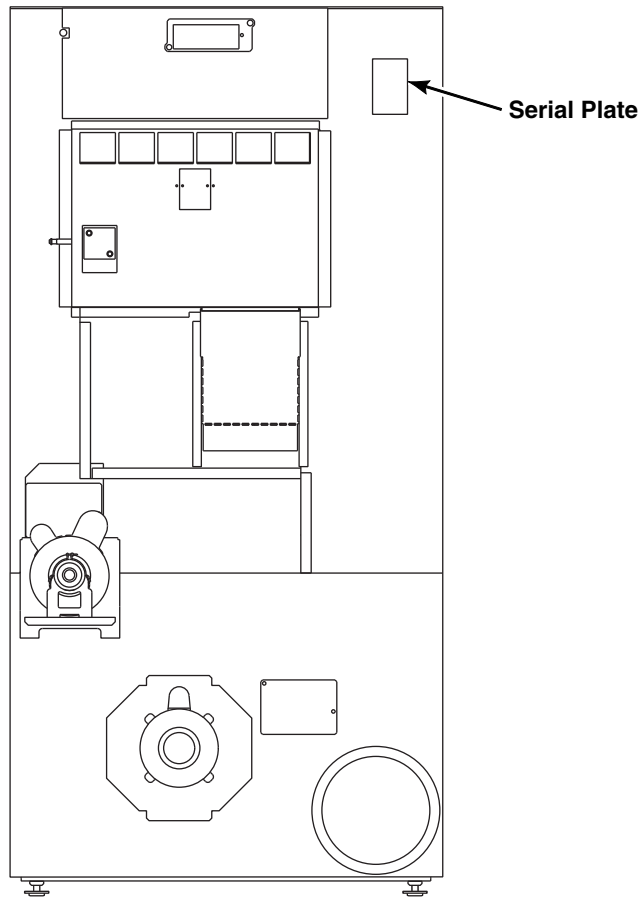
If literature or replacement parts are required, contact the source from whom the machine was purchased or contact Alliance Laundry Systems at (920) 748-3950 for the name and address of the nearest authorized parts distributor.

For technical assistance, call the number listed below:

(920) 748-3121 Ripon, Wisconsin

## Serial Plate Location

When calling or writing about your product, be sure to mention model and serial numbers. Model and serial numbers are located on serial plate(s) as shown.



TMB2098N\_70409401

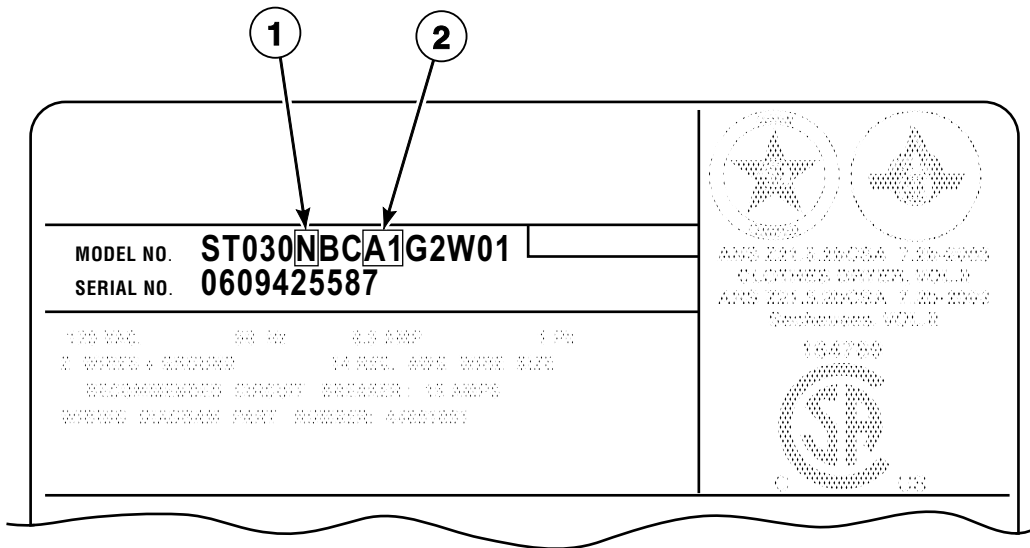


## Model Identification

Information in this manual is applicable to these tumbler models:

BA025L	GA025L	IT025E	MT025E	SA025L	UA025L
BA025N	GA025N	IT025F	MT025F	SA025N	UA025N
BH025E	GH025E	IT025L	MT025L	SH025E	UH025E
BH025F	GH025L	IT025N	MT025N	SH025F	UH025F
BH025L	GH025N	IT025R	MT025R	SH025L	UH025L
BH025N	GH025S	IT025S	MT025S	SH025N	UH025N
BH025R	GK025N	KA025L	NH025E	SH025R	UH025R
BH025S	GT025E	KA025N	NH025L	SH025S	UH025S
BK025N	GT025L	KK025N	NH025N	SK025N	UK025N
BK025R	GT025N	KT025E	NH025S	SK025R	UK025R
BT025E	GT025S	KT025L	NT025E	ST025E	UT025E
BT025F	GU025E	KT025N	NT025L	ST025F	UT025F
BT025L	GU025L	KT025S	NT025N	ST025L	UT025L
BT025N	GU025N	KU025E	NT025S	ST025N	UT025N
BT025R	GU025S	KU025L	NU025E	ST025R	UT025R
BT025S	HA025L	KU025N	NU025L	ST025S	UT025S
BU025E	HA025N	KU025S	NU025N	SU025E	UU025E
BU025F	HH025E	LA025L	NU025S	SU025F	UU025F
BU025L	HH025F	LA025N	PA025L	SU025L	UU025L
BU025N	HH025L	LK025N	PA025N	SU025N	UU025N
BU025R	HH025N	LT025E	PH025E	SU025R	UU025R
BU025S	HH025R	LT025L	PH025L	SU025S	UU025S
CA025L	HH025S	LT025N	PH025N		YT025E
CA025N	HK025N	LT025S	PH025S		YT025L
CK025N	HK025R	LU025E	PK025N		YT025N
CK025R	HT025E	LU025L	PT025E		YT025S
CT025E	HT025F	LU025N	PT025L		YU025E
CT025F	HT025L	LU025S	PT025N		YU025L
CT025L	HT025N		PT025S		YU025N
CT025N	HT025R		PU025E		YU025S
CT025R	HT025S		PU025L		
CT025S	HU025E		PU025N		
CU025E	HU025F		PU025S		
CU025F	HU025L				
CU025L	HU025N				
CU025N	HU025R				
CU025R	HU025S				
CU025S					

# Product Overview - Heat Source and Voltage



TMB2787P\_70409401



## Product Overview - Heat Source and Voltage

REF	PART NO.	DESCRIPTION	COMMENTS
1	-	Heat Source	D: Liquid Petroleum Gas (L.P) E: Electric F: Reduced Electric (Eco Line) L: Liquid Petroleum Gas (L.P.) N: Natural Gas (N.G.) R: Reduced Gas, Natural Gas (Eco Line) S: Steam
2	-	Voltage	A1: 100, 200 Volt/50 Hertz/1 Phase A2: 100, 200-220 Volt/60Hertz/1 Phase B2: 120, 208-240 Volt/60 Hertz/1 Phase; For high Amp motors B3: 120, 208-240 Volt/60 Hertz/1 Phase; For low Amp motors F1: 200 Volt/50 Hertz/1 Phase F2: 200 Volt/60 Hertz/1 Phase F4: 200 Volt/50 Hertz/3 Phase F5: 200-208 Volt/60 Hertz/3 Phase F6: 200-208, 240 Volt/60 Hertz/3 Phase G1: 208 Volt/60 Hertz/1 Phase G2: 208-240 Volt/60 Hertz/1 Phase J1: 230 Volt/50 Hertz/1 Phase J2: 230-240 Volt/50 Hertz/1 Phase J4: 240 Volt/60 Hertz/1 Phase J5: 230 Volt/50 Hertz/3 Phase J6: 230-240 Volt/50 Hertz/3 Phase J8: 240 Volt/60 Hertz/3 Phase M1: 380 Volt/50 Hertz/3 Phase M2: 380, 400-415 Volt/50 Hertz/3 Phase M3: 380 Volt/60 Hertz/3 Phase N1: 400-415 Volt/50 Hertz/3 Phase N2: 400 Volt/50 Hertz/3 Phase; 25 pound models only P1: 440 Volt/60 Hertz/3 Phase Q1: 460-480 Volt/60 Hertz/3 Phase



## Product Overview - Control Suffixes (Drawing 1 of 3)

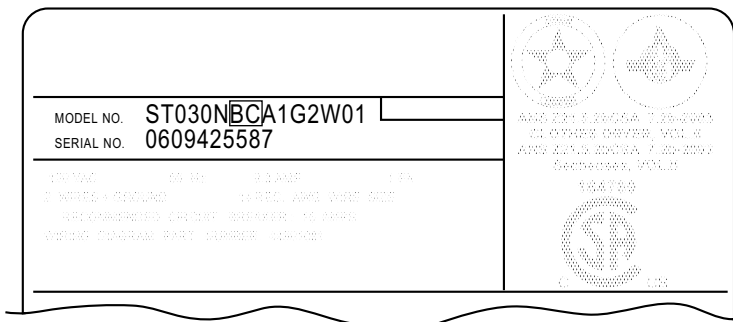
REF	PART NO.	DESCRIPTION	COMMENTS
1	-	Control - Nonreversing	3L: DX4 prep for central pay 3O: DX4 OPL 3V: DX4 vended 3X: DX4 prep for coin
	-	Control - Reversing	3B: reversing DX4 vended 3K: reversing DX4 prep for central pay 3W: reversing DX4 prep for coin R3: reversing DX4 OPL
2	-	Control - Nonreversing	BC: basic electronic, coin BX: basic electronic, prep for coin
	-	Control - Reversing	BB: reversing basic electronic, coin BK: reversing basic electronic, prep for central pay BW: reversing basic electronic, prep for coin
3	-	Control - Nonreversing	BL: basic electronic, prep for central pay BY: basic electronic, prep for card
	-	Control - Reversing	BZ: reversing basic electronic, prep for card
4	-	Control - Nonreversing	DO: DMP OPL
5	-	Control - Nonreversing	DV: DMP vended DX: DMP prep for coin
6	-	Control - Nonreversing	NC: NetMaster coin NX: NetMaster, prep for coin ZC: NetMaster network coin ZX: NetMaster network, prep for coin

**NOTE: Coin models have the following control suffixes: 3B, 3K, 3L, 3V, 3W, 3X, BB, BC, BK, BL, BW, BX, BZ, DV, DX, NC, NX, ZC and ZX**

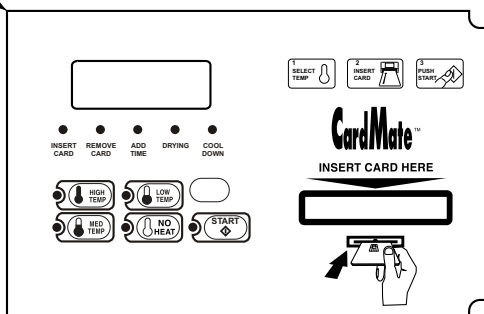
**NOTE: OPL models have the following control suffixes: 3O, BY, DO and R3**

# Product Overview - Control Suffixes (Drawing 2 of 3)

All Models Except P Models

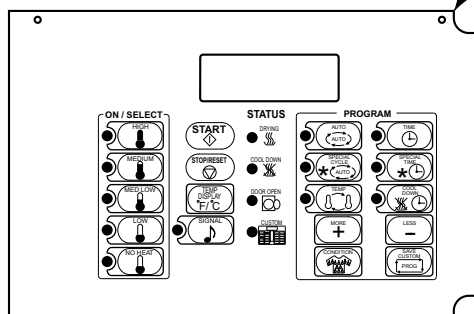


1



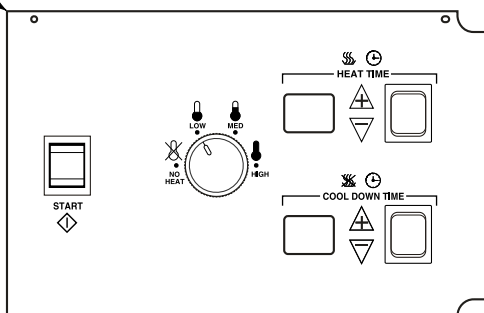
**NR, NY, ZR and ZY  
 Control Suffixes**

2



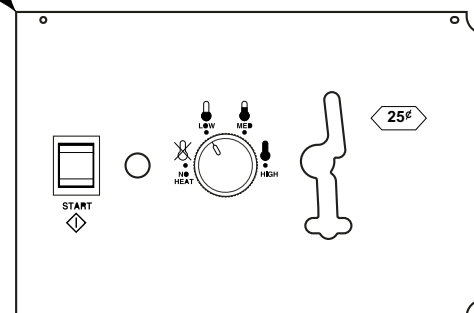
**OM  
 Control Suffix**

3



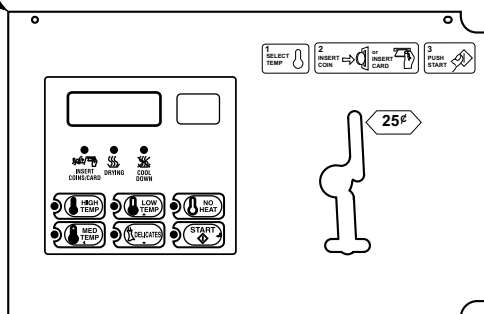
**QT and RQ  
 Control Suffixes**

4



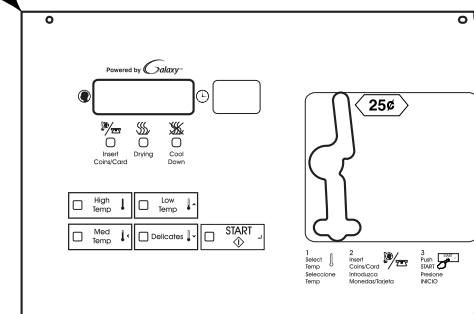
**SD and SX  
 Control Suffixes**

5



**LB, LC, LK, LL, LW, LX, LY, LZ,  
 WB, WC, WK, WL, WW, WX, WY, and WZ  
 Control Suffixes**

6



**KB, KC, KK, KL, KW, KX, KY and KZ  
 Control Suffixes**

TMB3270P\_70409401

## Product Overview - Control Suffixes (Drawing 2 of 3)

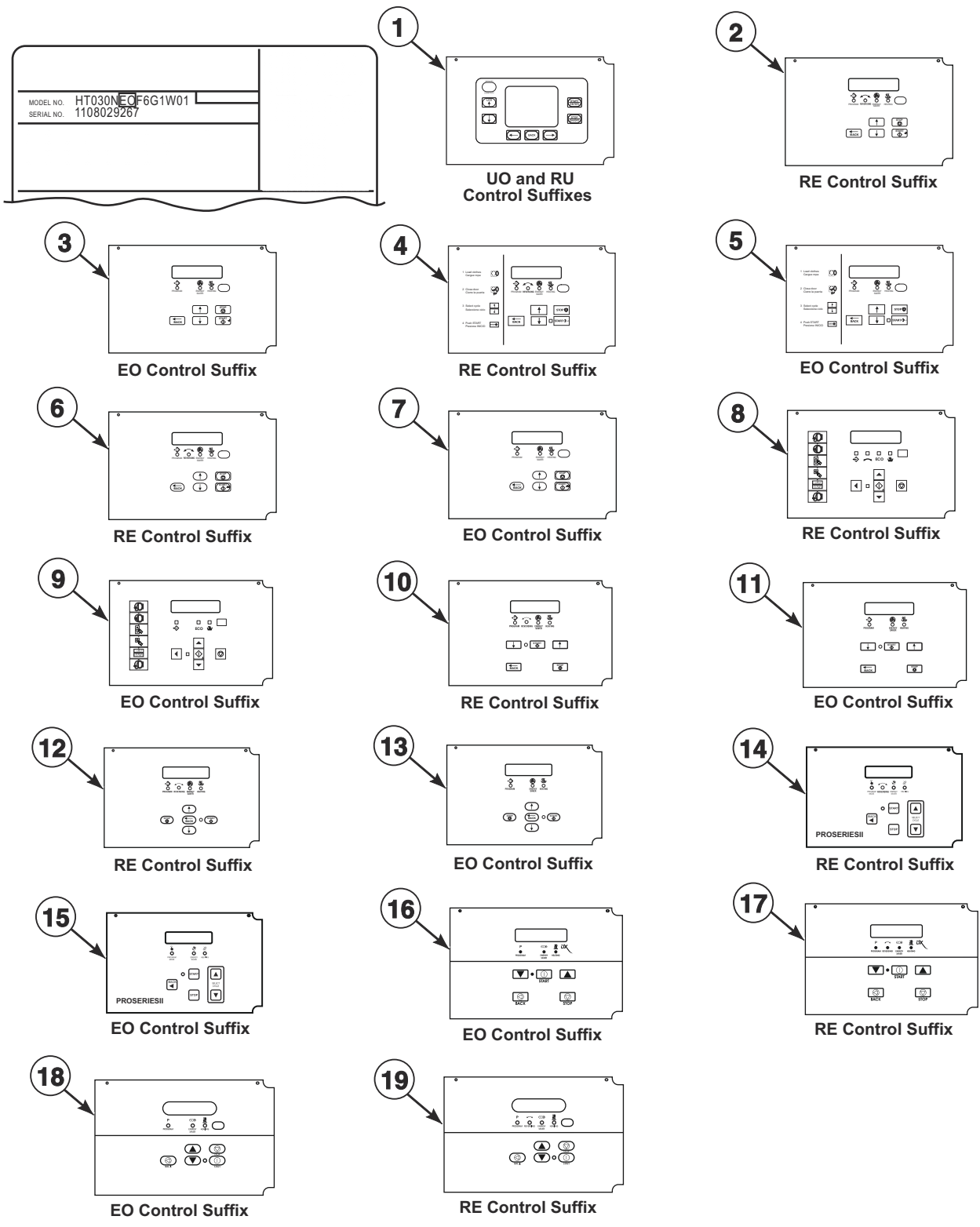
REF	PART NO.	DESCRIPTION	COMMENTS
1	-	Control - Nonreversing	NR: NetMaster card NY: NetMaster, prep for card ZR: NetMaster network card ZY: NetMaster network, prep for card
2	-	Control - Nonreversing	OM: OPL micro
3	-	Control - Nonreversing	QT: dual digital timer
	-	Control - Reversing	RQ: reversing dual digital timer
4	-	Control - Nonreversing	SD: single drop SX: single drop, prep for coin
5	-	Control - Nonreversing	LC: network adaptable coin LL: network adaptable, prep for central pay LX: network adaptable, prep for coin LY: network adaptable, prep for card WC: network ready coin WL: network ready, prep for central pay WX: network ready, prep for coin WY: network ready, prep for card
	-	Control - Reversing	LB: reversing network adaptable coin LK: reversing network adaptable, prep for central pay LW: reversing network adaptable, prep for coin LZ: reversing network adaptable, prep for card WB: reversing network ready coin WK: reversing network ready, prep for central pay WW: reversing network ready, prep for coin WZ: reversing network ready, prep for card
6	-	Control - Nonreversing	KC: single coin KL: prep for central pay KX: prep for coin KY: prep for card
	-	Control - Reversing	KB: reversing single coin KK: reversing prep for central pay KW: reversing prep for coin KZ: reversing prep for card

**NOTE: Coin models have the following control suffixes: KB, KC, KK, KL, KW, KX, KY, KZ, LB, LC, LK, LL, LW, LX, LY, LZ, SD, SX, WB, WC, WK, WL, WW, WX, WY and WZ**

**NOTE: OPL models have the following control suffixes: NR, NY, OM, QT, RQ, ZR and ZY**

# Product Overview - Control Suffixes (Drawing 3 of 3)

All Models Except M Models



TMB3353P\_70409401

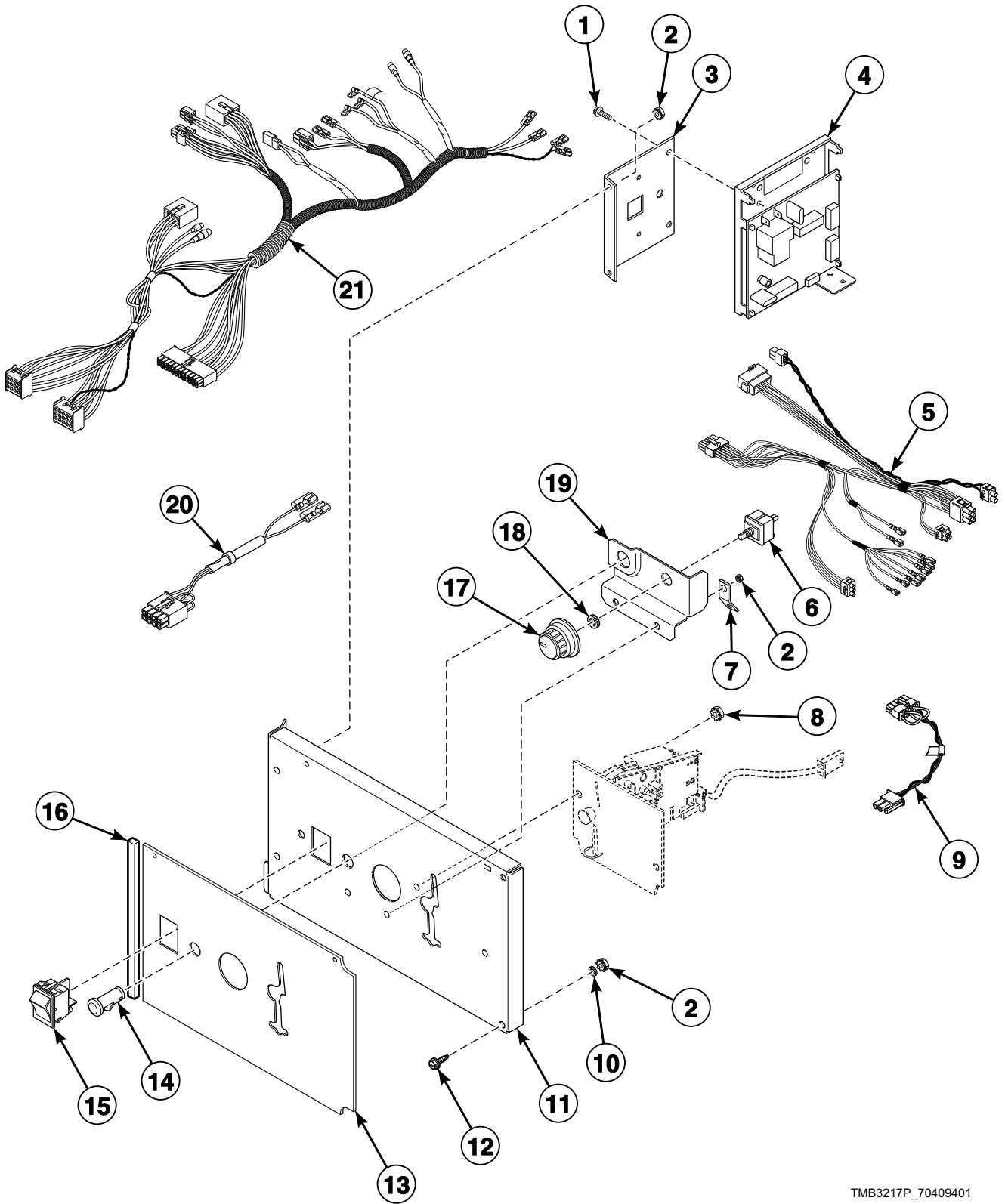
## Product Overview - Control Suffixes (Drawing 3 of 3)

REF	PART NO.	DESCRIPTION	COMMENTS
1	-	Control - Reversing	U models; RU: reversing UniLinc OPL
	-	Control - Nonreversing	U models; UO: UniLinc OPL
2	-	Control - Reversing	S models; RE: reversing LED OPL
3	-	Control - Nonreversing	S models; EO: LED OPL
4	-	Control - Reversing	H models; RE: reversing LED OPL
5	-	Control - Nonreversing	H models; EO: LED OPL
6	-	Control - Reversing	U models; RE: reversing LED OPL
7	-	Control - Nonreversing	U models; EO: LED OPL
8	-	Control - Reversing	B, C and I models; RE: reversing LED OPL
9	-	Control - Nonreversing	B, C and I models; EO: LED OPL
10	-	Control - Reversing	P models; Models through 9/30/14; RE: reversing LED OPL
11	-	Control - Nonreversing	P models; Models through 9/30/14; EO: LED OPL
12	-	Control - Reversing	N and Y models; L models through 5/31/15; RE: reversing LED OPL
13	-	Control - Nonreversing	N and Y models; L models through 5/31/15; EO: LED OPL
14	-	Control - Reversing	G and K models; RE: reversing LED OPL
15	-	Control - Nonreversing	G and K models; EO: LED OPL
16	-	Control - Nonreversing	P models; Models starting 10/1/14 through 5/31/15; EO: LED OPL
17	-	Control - Reversing	P models; Models starting 10/1/14 through 5/31/15; RE: reversing LED OPL
18	-	Control - Nonreversing	L and P models; Models starting 6/1/15; EO: LED OPL
19	-	Control - Reversing	L and P models; Models starting 6/1/15; RE: reversing LED OPL

**NOTE: OPL models have the following control suffixes: EO, RE, RU and UO**

# Single Drop Control Components

C, H, I and S Models Through 3/31/10 with SD and SX Control Suffixes



TMB3217P\_70409401

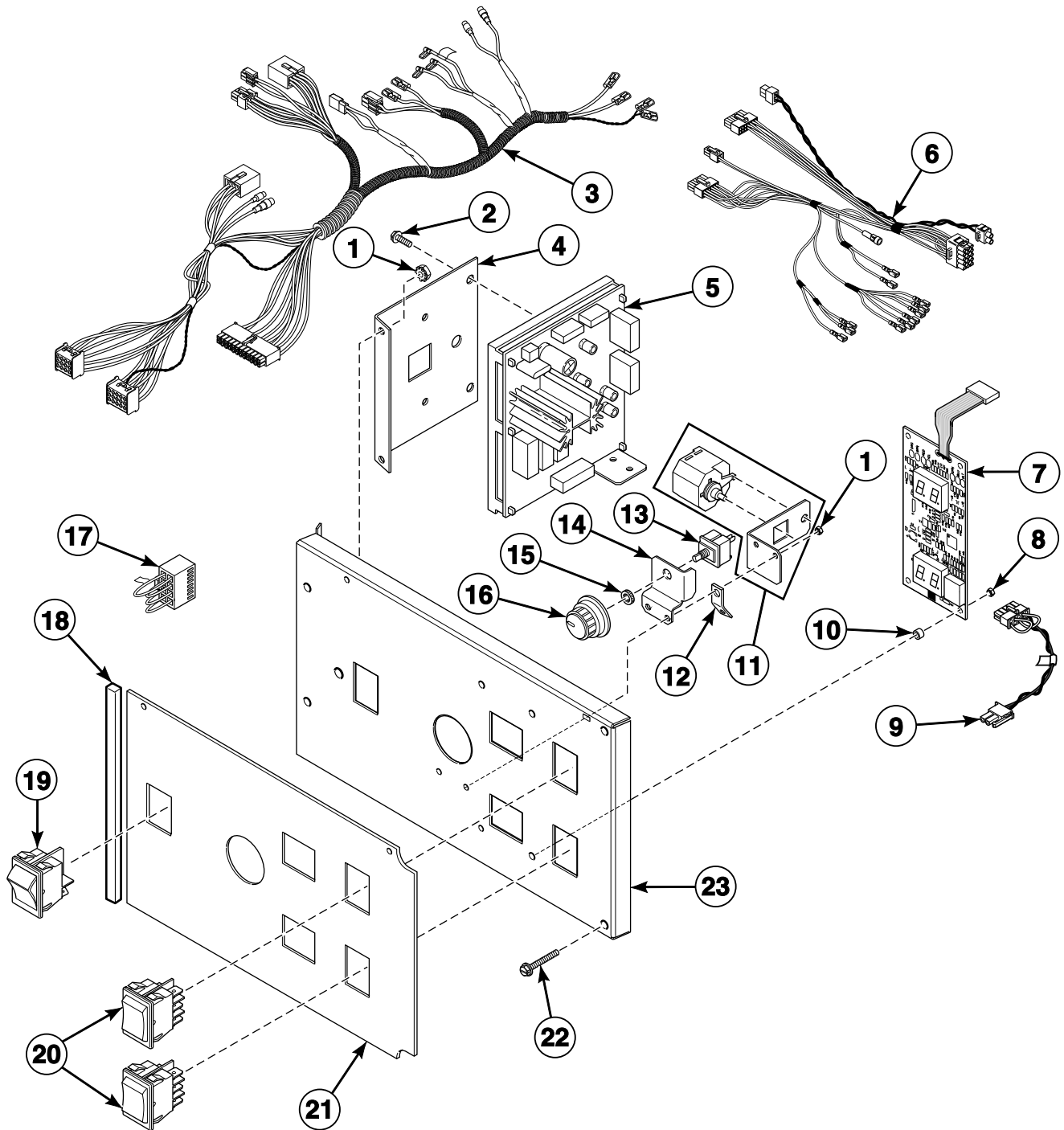


# Single Drop Control Components

REF	PART NO.	DESCRIPTION	COMMENTS
	70370001	Control Set	C, H and S Australian and CE models; Includes items 1-8, 11, 14, 15, 18 and 19
	70370101P	Control Set	All other models; Includes items 1-8, 11, 14, 15, 18 and 19
<b>1</b>	D501524	Screw	
<b>2</b>	70054	Nut	
<b>3</b>	70357901	Control Chassis Mounting Bracket	
<b>4</b>	D512199P	Control Assembly	Models through Serial No. 0701012067
	D513139P	Control Assembly	Models starting Serial No. 0701012068
<b>5</b>	70398401	Control Panel Harness	Australian and CE models
	70369001	Control Panel Harness	All other models
<b>6</b>	D511711	Temperature Selector Switch	
<b>7</b>	00177	Male Tab Terminal	
<b>8</b>	29786	Nut	
<b>9</b>	70324601	Jumper Calibration Wire	
<b>10</b>	M405535	Washer	
<b>11</b>	70363401	Control Door Assembly	
<b>12</b>	70069901	Screw	
<b>13</b>	70363001	Overlay	H models
	70362901	Overlay	All other models
<b>14</b>	801431	Light	
<b>15</b>	70455101	Rocker Switch	Start
<b>16</b>	70414101	Foam Gasket	6 inches required; Mounts to front of overlay, even with edge
<b>17</b>	44104601	Temperature Knob	
<b>18</b>	24205	Nut	
<b>19</b>	70350201	Temperature Selector Bracket	
<b>20</b>	70364104P	Coin Vault Switch Harness	Non-CE models
<b>21</b>	70467801	Main Harness	Electric models need 55881 Harness Strap

# Dual Digital Timer Control Components

C, H, I, L, N, P, S, U and Y Models  
G and K Models Starting 1/16/12  
Models with QT and RQ Control Suffixes



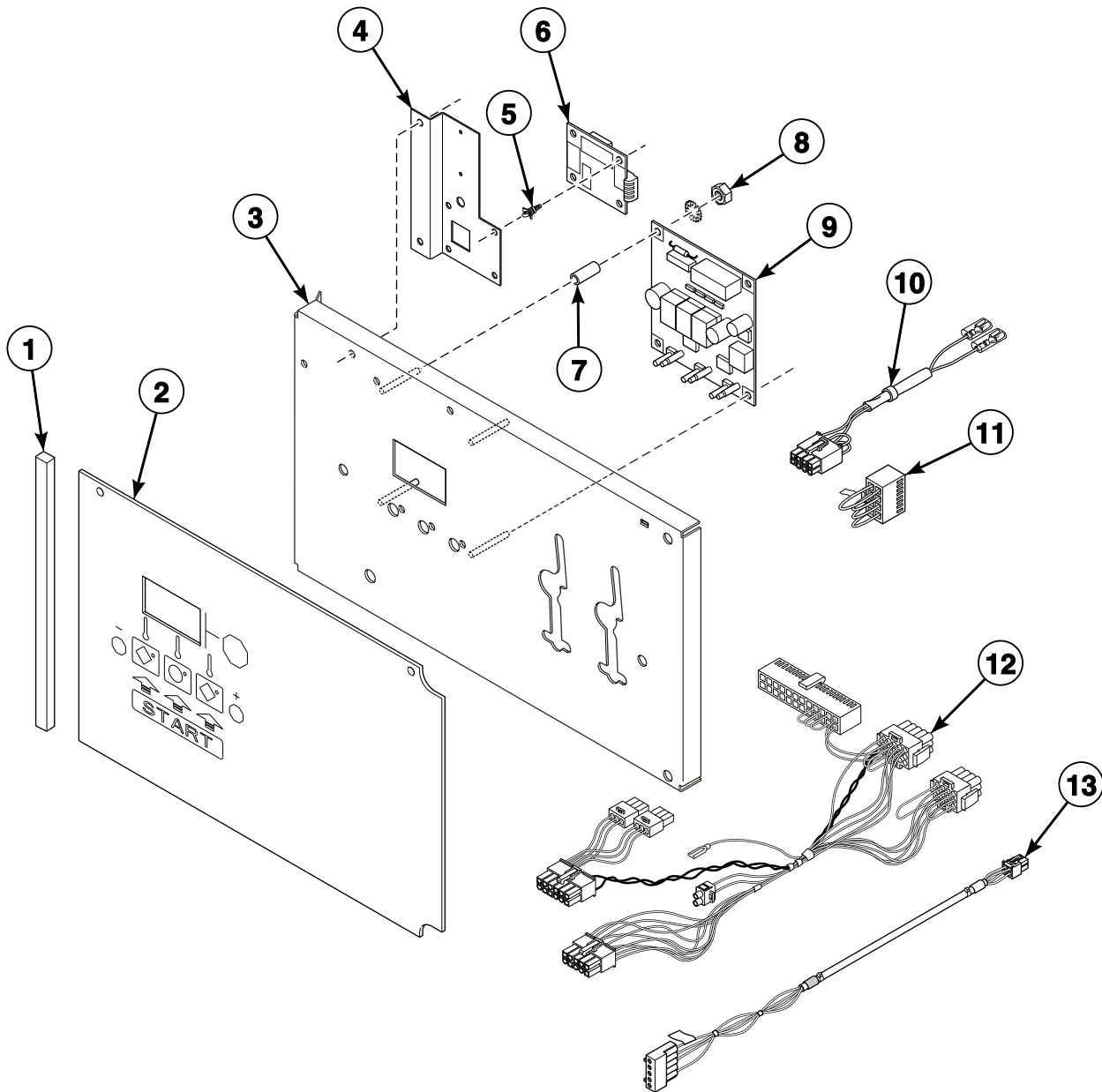
TMB3011P\_70409401

## Dual Digital Timer Control Components

REF	PART NO.	DESCRIPTION	COMMENTS
	70370201P	Control Set	Includes items 1, 2, 4-8, 10, 12-16, 19, 20 and 23
1	70054	Nut	
2	D501524	Screw	
3	70467801	Main Harness	Electric models need 55881 Harness Strap; Models through 7/31/11 and starting again 7/9/12
	70441301	Main Harness	Electric models need 55881 Harness Strap; Models starting 8/1/11 through 7/8/12
4	70357901	Control Chassis Mounting Bracket	
5	D512202P	Control Assembly	
6	70367001P	Control Panel Harness	
7	D512218P	Display Assembly	C and I models through 7/14/14; All other models
	70503101P	Control Assembly	C and I models starting 7/15/14
8	29787	Nut	
9	70324601	Jumper Calibration Wire	
10	56079	Panel Locator	
11	M4860P3	Buzzer Kit	Includes buzzer, bracket and harness
12	00177	Male Tab Terminal	
13	D511711	Temperature Selector Switch	
14	70391701	Temperature Selector Switch Bracket	
15	24205	Nut	
16	44104601	Temperature Knob	
17	70364103	Bypass Harness	Non-CE models
18	70414101	Foam Gasket	6 inches required; Mounts to front of overlay, even with edge
19	70455101	Rocker Switch	Start
20	70461301	Rocker Switch	
21	70362201	Overlay	G, K, L, N, S and Y models; C and I models through 7/14/14; U models through 8/17/14; P models starting 1/15/15; Nonreversing
	70362202	Overlay	G, K, L, N, S and Y models; C and I models through 7/14/14; U models through 8/17/14; P models starting 1/15/15; Reversing
	70504701	Overlay	C and I models starting 7/15/14; Nonreversing
	70504702	Overlay	C and I models starting 7/15/14; Reversing
	70494001	Overlay	U models; Models starting 8/18/14; Nonreversing
	70494002	Overlay	U models; Models starting 8/18/14; Reversing
	70362501	Overlay	H models; Nonreversing
	70362502	Overlay	H models; Reversing
	70362401	Overlay	P models; Models through 1/14/15; Nonreversing
	70362402	Overlay	P models; Models through 1/14/15; Reversing
22	70069901	Screw	
23	70360601	Control Plate Assembly	

# DX4 Control Components

B and I Models with 3B, 3K, 3L, 3O, 3V, 3W, 3X and R3 Control Suffixes



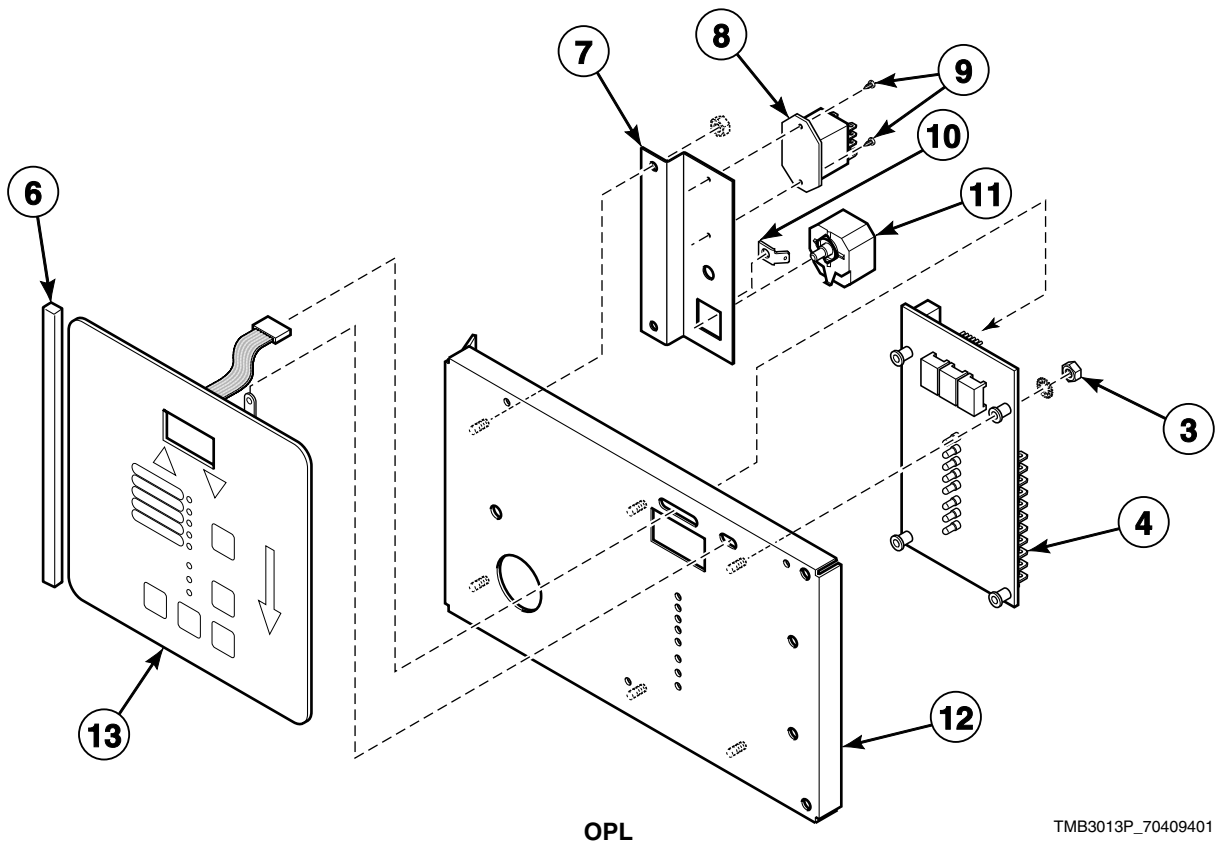
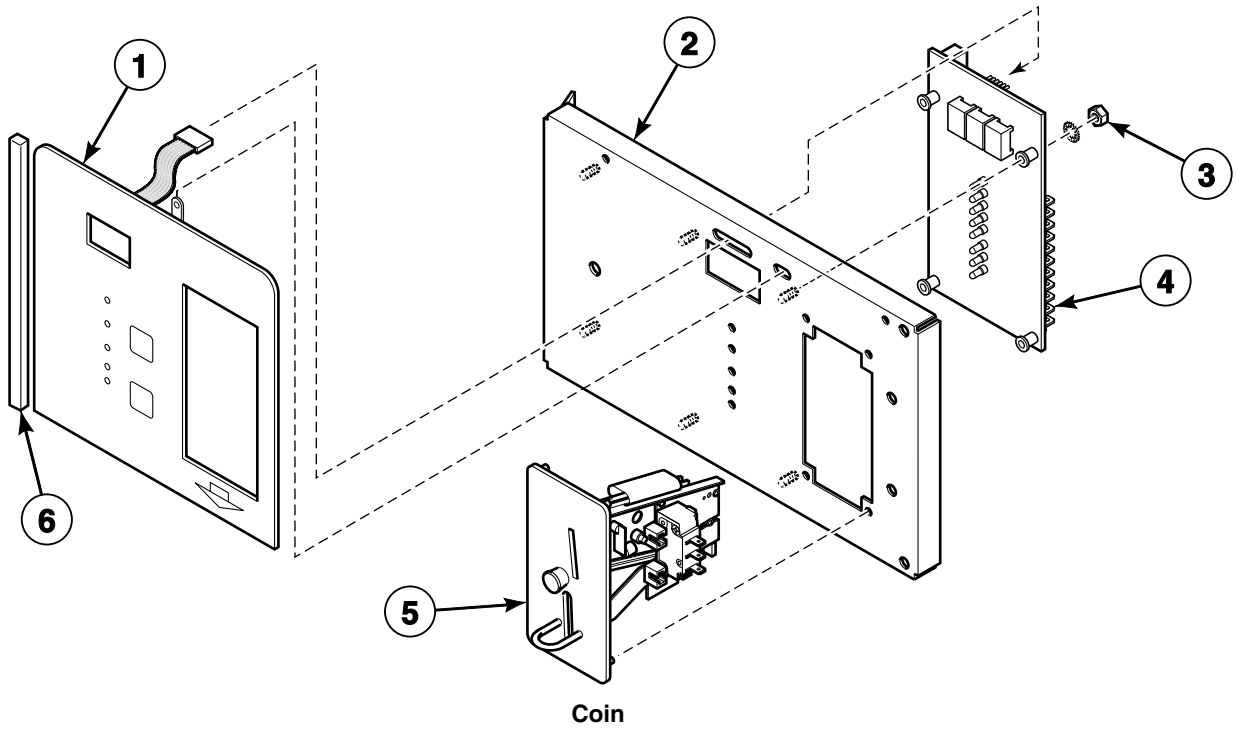
TMB3271P\_70409401

## DX4 Control Components

REF	PART NO.	DESCRIPTION	COMMENTS
1	70414101	Foam Gasket	6 inches required; Mounts to front of overlay, even with edge
2	44240501	Graphic Overlay	OPL
	44050501	Graphic Overlay	Coin; Single drop; Models through 7/31/11
	44239401	Graphic Overlay	Coin; Single drop; Models starting 8/1/11
	44050502	Graphic Overlay	Coin; Dual drop; Models through 7/31/11
	44239402	Graphic Overlay	Coin; Dual drop; Models starting 8/1/11
	44239403	Graphic Overlay	Prep for central pay
3	44050701P	Control Plate Kit	
4	44263501	Bracket	CE models; All other models with 3K and 3L control suffixes
5	211/00119/00	Standoff	4 required
6	209/00471/75	Central Pay Interface Control Assembly	3K and 3L control suffixes
7	44050601	Sleeve	4 required
8	29787	Nut	
9	70462301P	Control Assembly	3O control suffix
	70462302P	Control Assembly	R3 control suffix
	70462361P	Control Assembly	3V and 3X control suffixes
	70462362P	Control Assembly	3B and 3W control suffixes
	70462369	Control Assembly	3K and 3L control suffixes
10	70364104P	Coin Vault Switch Harness	3V and 3B control suffixes; Non-CE models
11	70364103	Bypass Harness	3O, 3W, 3X and R3 control suffixes; Non-CE models
12	70489901	Control Panel Harness	Australian and CE models
	70485301	Control Panel Harness	All other models
13	70491501	Central Pay Harness	3K and 3L control suffixes

# DMP Control

C and I Models with DO, DV and DX Control Suffixes  
Coin Models Through 4/1/10; OPL Models Through 7/31/11



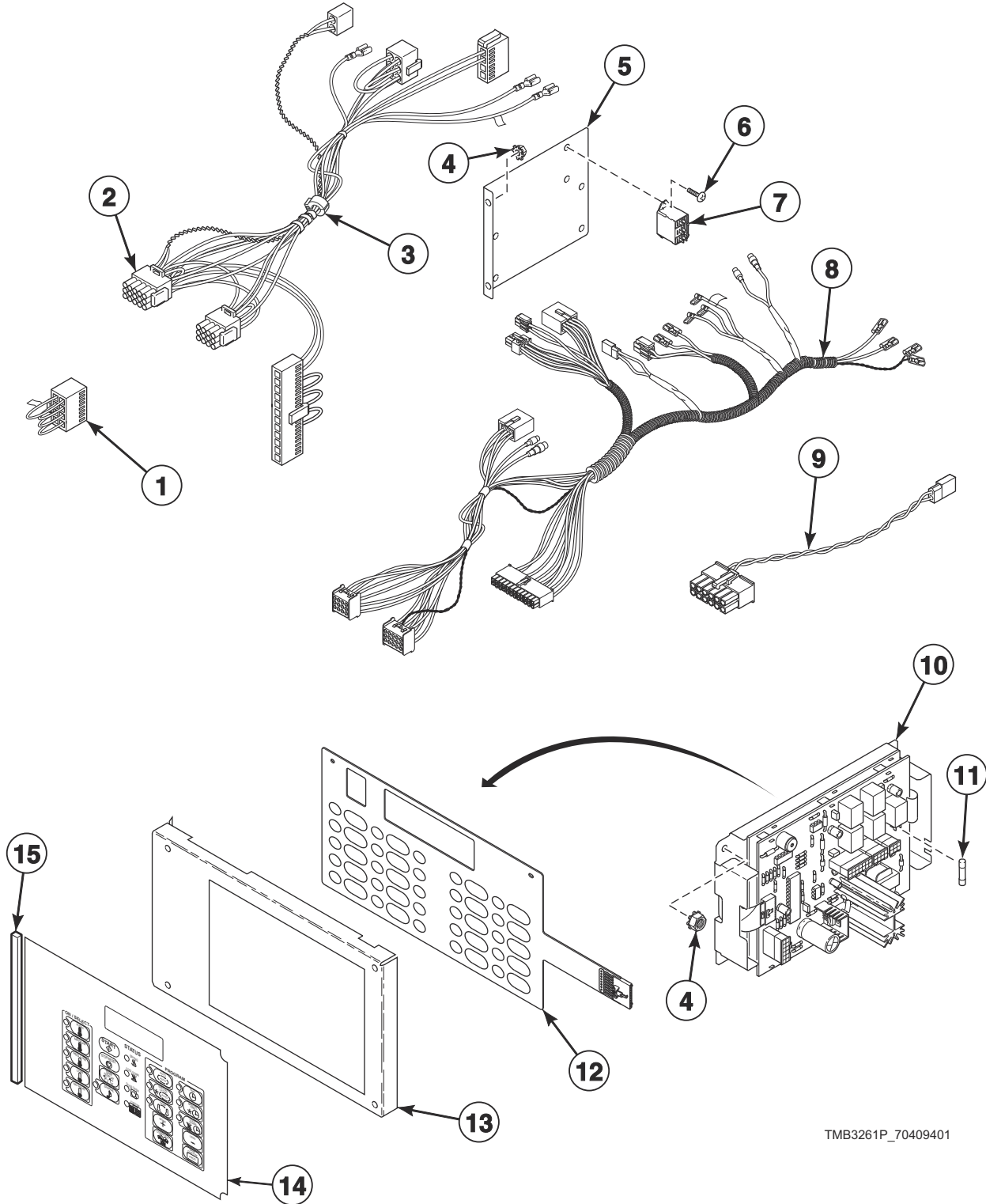
TMB3013P\_70409401

## DMP Control

REF	PART NO.	DESCRIPTION	COMMENTS
1	44039402P	Membrane Switch	Coin; DV and DX control suffixes
2	44041001	Control Plate Assembly	Coin; Includes studs; DV and DX control suffixes
3	29787	Nut	
4	44037801P	Electronic Control	
5	44039701P	Coin Drop Assembly	United States; \$.25
	44039702	Coin Drop Assembly	Mexico; 2 peso
	44039703	Coin Drop Assembly	Token; .880
	44039704	Coin Drop Assembly	Japan; 100 yen
	44039705	Coin Drop Assembly	England; 20 pence
	44039706	Coin Drop Assembly	Token; .800
	44039707	Coin Drop Assembly	England; 50 pence
6	70414101	Foam Gasket	6 inches required; Mounts to front of overlay, even with edge
7	44041701	Relay/Buzzer Bracket	
8	M412534	Relay	
9	M402797	Screw	
10	00177	Male Tab Terminal	
11	D505447	Adjustable Buzzer	
12	44040901	Control Plate Assembly	OPL; Includes studs; DO control suffix
13	44037901P	Membrane Switch	OPL; DO control suffix

# OPL Microprocessor Controls

H, S and U Models Through 7/31/11  
G, K, L and P Models Through 1/1/12  
Models with OM Control Suffix



TMB3261P\_70409401

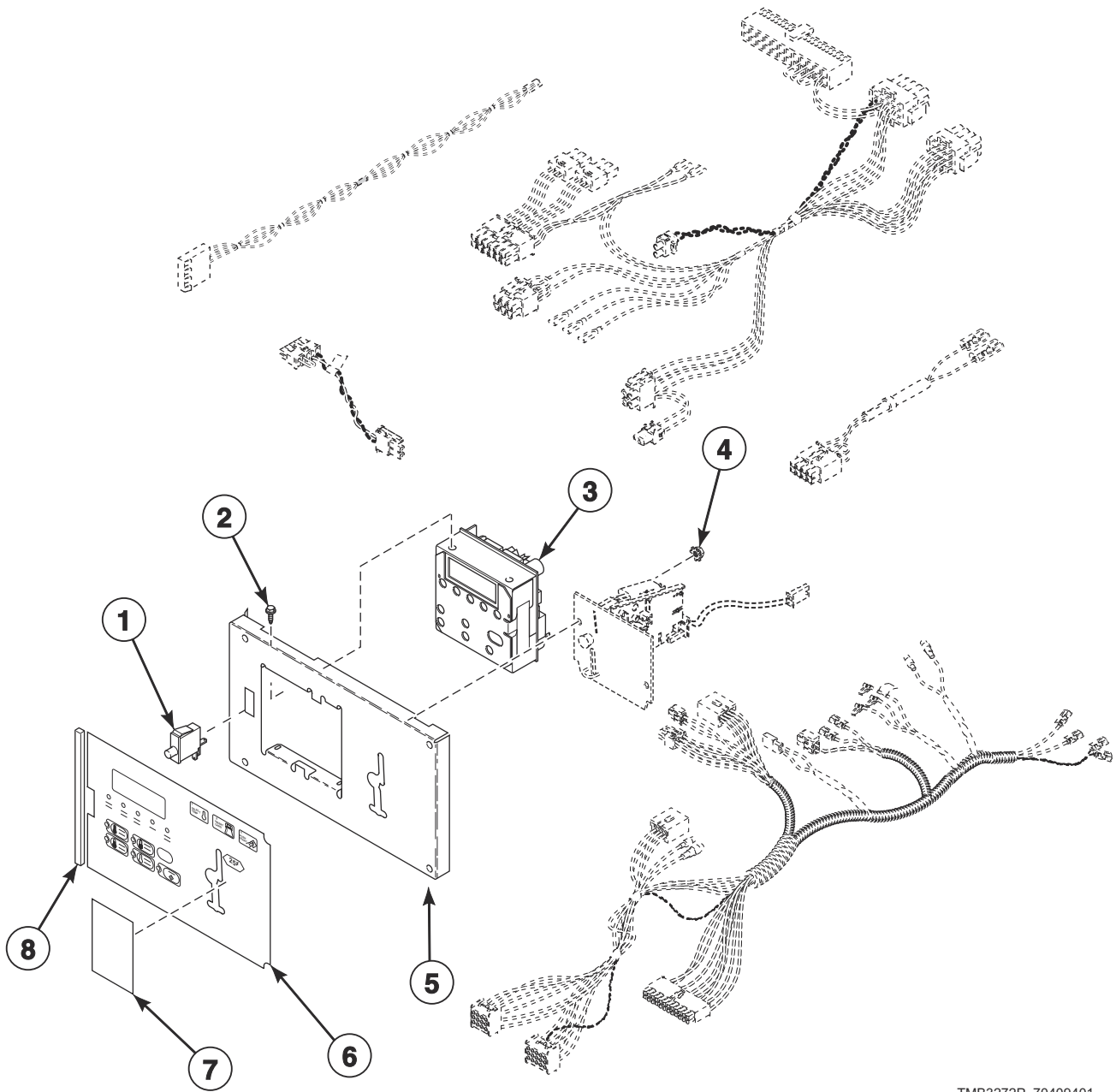


# OPL Microprocessor Controls

REF	PART NO.	DESCRIPTION	COMMENTS
	M4689P3	Electronic OPL Control Kit	GT, HT, KT, LT, PT, ST and UT models; Dual secondary transformers (M414228 Transformer for 100-240 VAC and M414229 Transformer for 380-480 VAC) must be used with this kit; Does not include overlay or harness
	M4695P3	Electronic OPL Control Kit	All other models
	M4457P3	RC Filter Kit	Includes (2) F330217P RC Filter and instructions
1	70364103	Bypass Harness	Non-CE models
2	70335301P	Control Panel Harness	GT, HT, KT, LT, PT, ST and UT models
	70382701P	Control Panel Harness	All other models
3	M413930P	Ferrite Core Assembly	
4	70054	Nut	
5	70063501	Mounting Bracket	GA, GU, HA, HU, KA, KU, LA, LU, PA, PU, SA, SU, UA and UU models; Used with 70382701P Control Panel Harness
6	M402797	Screw	GA, GU, HA, HU, KA, KU, LA, LU, PA, PU, SA, SU, UA and UU models; 2 required; Used with 70382701P Control Panel Harness; 2 required
7	M412534	Relay	GA, GU, HA, HU, KA, KU, LA, LU, PA, PU, SA, SU, UA and UU models; Used with 70382701P Control Panel Harness
8	70467801	Main Harness	Electric models need 55881 Harness Strap; Models through 7/31/11
	70441301	Main Harness	Electric models need 55881 Harness Strap; Models starting 8/1/11 through 1/1/12
9	70084303	Jumper Calibration Assembly	
10	70228401P	Control Kit	
11	70406501	Fuse	1.25 Amp
12	M414368P	Membrane Switch	
13	70175805	Control Plate Assembly	GT, HT, KT, LT, PT, ST and UT models; Includes studs
	70175806	Control Plate Assembly	All other models; Includes studs
14	70115801	Overlay	L, P, S, and U models; Icon and English
	70130401	Overlay	L, P, S, and U models; Icon
	70128701	Overlay	H models; Icon and English
	70130601	Overlay	H models; Icon and English
	44130002	Overlay	G and K models
15	70414101	Foam Gasket	6 inches required; Mounts to front of overlay, even with edge

# Coin Drop Components for MDC Models

G, H, I, K, L, N, P, and S Models with BB, BC, BK, BL, BW and BX Control Suffixes



TMB3272P\_70409401

## Coin Drop Components for MDC Models

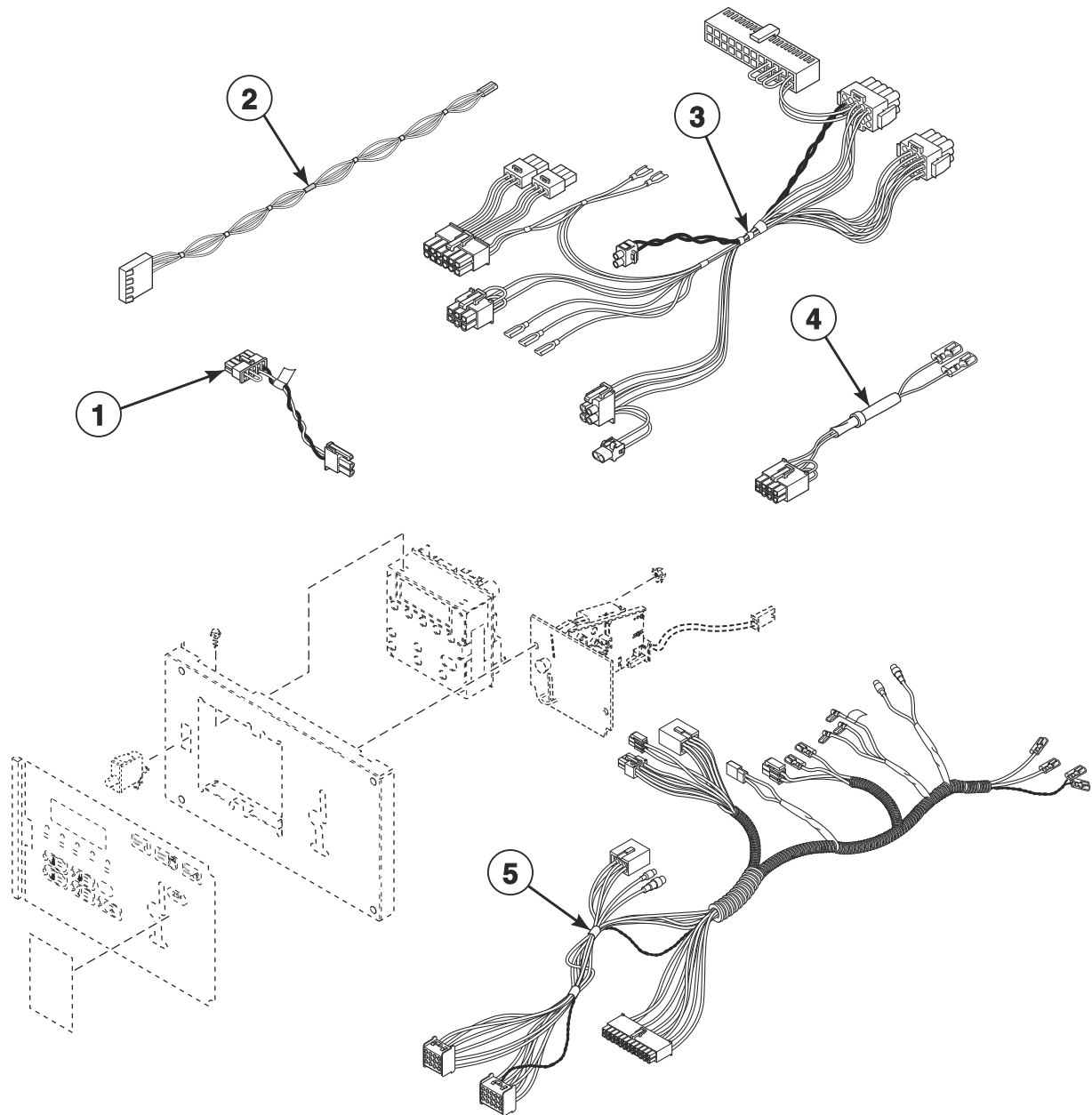
REF	PART NO.	DESCRIPTION	COMMENTS
1	70413301	Pushbutton Switch	
2	D501524	Screw	4 required for mounting control
3	D514273P	Control Assembly	I models; Models starting 7/15/14
	D511867P	Control Assembly	I models through 7/14/14; All other models
	D510036P	Membrane Switch	Order to replace touchpad for D511867P Control Assembly
4	70054	Nut	3 required
5	70175807	Control Plate Assembly	
6	70257701	Overlay	L and S models; BC, BK*, BL* and BX control suffixes; Text; Single drop
	70261001	Overlay	L, N and S models; BC, BK*, BL* and BX control suffixes; Icon; Single drop
	70257702	Overlay	L and S models; BC and BX control suffixes; Text; Dual drop
	70261002	Overlay	L, N and S models; BC and BX control suffixes; Icon; Dual drop
	70258001	Overlay	H models; BC, BK*, BL* and BX control suffixes; Text; Single drop
	70261201	Overlay	H models; BC, BK*, BL* and BX control suffixes; Icon; Single drop
	70258002	Overlay	H models; BC and BX control suffixes; Text; Dual drop
	70261202	Overlay	H models; BC and BX control suffixes; Icon; Dual drop
	70259001	Overlay	P models through 9/30/14; BK* and BL* control suffixes
	70508701	Overlay	P models starting 10/1/14
	70258101	Overlay	H models; BC, BK*, BL* and BX control suffixes; Text; Single drop
	70453001	Overlay	G and K models; Text; Single drop
	70453002	Overlay	G and K models; Text; Dual drop
	70491901	Overlay	I models; Models through 7/14/14; BC and BX control suffixes; Single drop
	70491902	Overlay	I models; Models through 7/14/14; BC and BX control suffixes; Dual drop
	70505201	Overlay	I models; Models starting 7/15/14; BC and BX control suffixes; Single drop
	70505202	Overlay	I models; Models starting 7/15/14; BC and BX control suffixes; Dual drop
7	39564	Coin Drop Overlay	S models; BK* and BL* control suffixes; Cover
	70246301	Coin Cover Overlay	G, H, I, K, L and N models; BK* and BL* control suffixes; Cover
	70286701	Overlay	P models through 9/30/14; BK* and BL* control suffixes; Cover
	70321001	Overlay	P models through 9/30/14; BC** and BX** control suffixes; Single drop; Right side
	70129501	Overlay	P models through 9/30/14; BC** and BX** control suffixes; Single drop; Left side
	70129601	Overlay	P models through 9/30/14; BC** and BX** control suffixes; Dual drop
	70510501	Overlay	P models starting 10/1/14; Single drop
	70510601	Overlay	P models starting 10/1/14; Dual drop
	70510701	Overlay	P models starting 10/1/14; World drop
	70510801	Overlay	P models starting 10/1/14; BK* and BL* control suffixes
70510901	Overlay	P models; Models starting 10/1/14; Blank for central pay	
8	70414101	Foam Gasket	6 inches required; Mounts to front of overlay, even with edge

\* NOTE: BK and BL control suffixes requires an overlay and overlay cover specific to model.

\*\* NOTE: P models with BC or BX control suffixes require an overlay and coin drop overlay.

# Coin Drop Components for MDC Models - Wire Harnesses

G, H, I, K, L, N, P, and S Models with BB, BC, BK, BL, BW and BX Control Suffixes



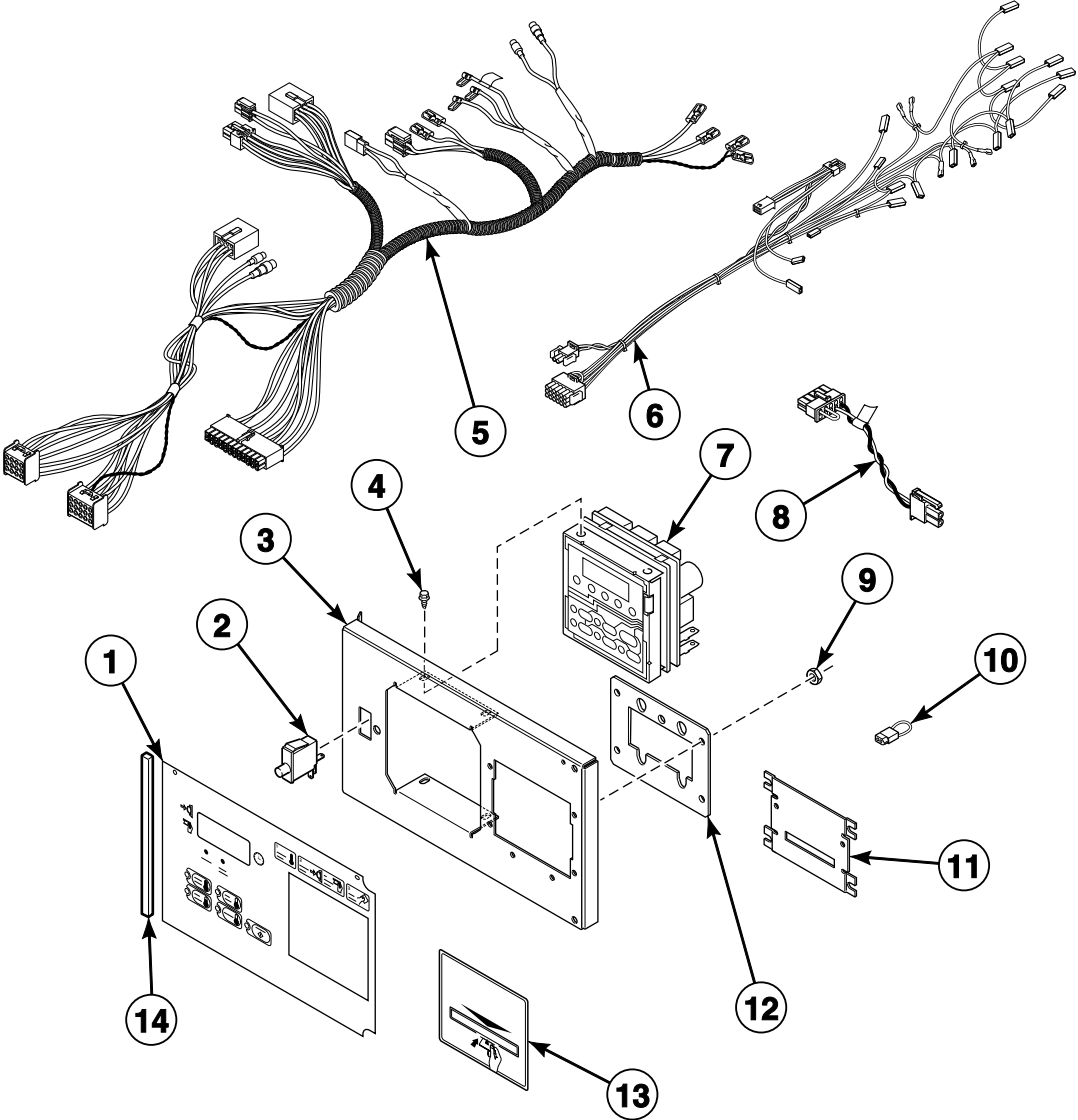
TMB3272PA\_70409401

## Coin Drop Components for MDC Models - Wire Harnesses

REF	PART NO.	DESCRIPTION	COMMENTS
1	70324601	Jumper Calibration Wire	
2	70484601	Central Pay Harness	BK and BL control suffixes
3	70368001P	Control Panel Harness	Non-CE and non-Australian models; Control panel to main harness
	70315501P	Control Panel Harness	All other models; Control panel to main harness
4	70364104P	Coin Vault Switch Harness	Non-CE models
5	70467801	Main Harness	Electric models need 55881 Harness Strap; Models through 7/31/11 and starting again 7/9/12
	70441301	Main Harness	Electric models need 55881 Harness Strap; Models starting 8/1/11 through 7/8/12

# BY and BZ Control Option for MDC Models

H, I, K, L, N, P and S Models



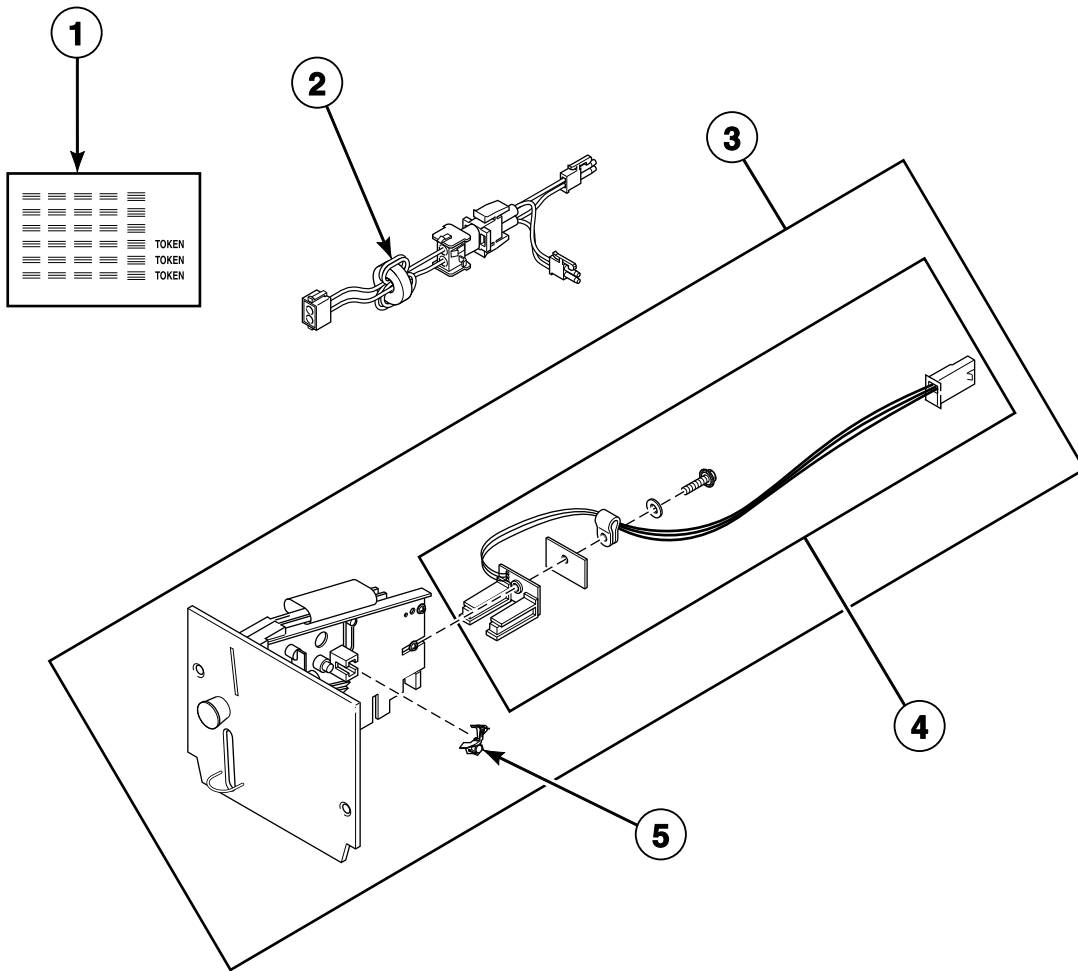
TMB3016P\_70409401

## BY and BZ Control Option for MDC Models

REF	PART NO.	DESCRIPTION	COMMENTS
1	70257703	Overlay	L and S models; Text or icon
	70261003	Overlay	N models; Icon
	70258003	Overlay	H models; Text or icon
	70453101	Overlay	K models
	70491903	Overlay	I models; Models through 7/14/14
	70505203	Overlay	I models; Models starting 7/15/14
	70509701	Overlay	P models
2	70413301	Pushbutton Switch	
3	70348801	Control Plate Assembly	
4	D501524	Screw	4 required
5	70467801	Main Harness	Electric models need 55881 Harness Strap; Models through 7/31/11 and starting again 7/9/12
	70441301	Main Harness	Electric models need 55881 Harness Strap; Models starting 8/1/11 through 7/8/12
6	70368001P	Control Panel Harness	Non-CE and non-Australian models
	70315501P	Control Panel Harness	All other models
7	D514273P	Control Assembly	I models; Models starting 7/15/14
	D511867P	Control Assembly	I models through 7/14/14; All other models
	D510036P	Membrane Switch	Order to replace touchpad for 511867P Control Assembly
8	70324601	Jumper Calibration Wire	
9	70054	Nut	
10	70364103	Bypass Harness	Non-CE models
11	44089501	Slot Card Plate Assembly	Included in literature packet
12	70208801	Mounting Plate	
13	70334201	Card Reader Overlay	Black; Included in literature packet
	70334301	Card Reader Overlay	Gray; Included in literature packet
	70511001	Overlay	P models; With card slot
14	70414101	Foam Gasket	6 inches required; Mounts to front of overlay, even with edge

# Coin Drops

All Models Except U Models



TMB2921P\_70409401



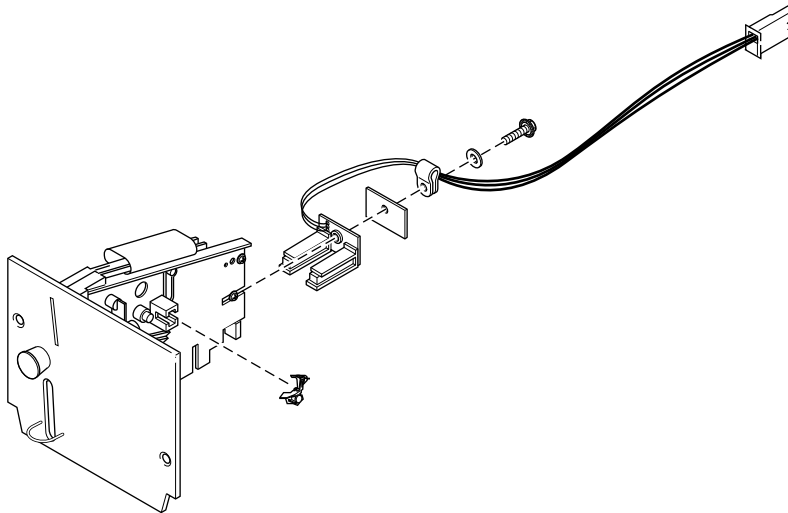
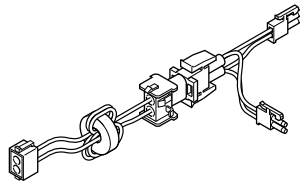
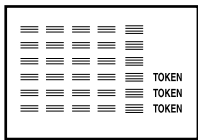
# Coin Drops

REF	PART NO.	DESCRIPTION	COMMENTS
1	38725	Coin Identification Paper	
2	44065801	Electronic Coin Drop Harness	Models through 4/14/09
3	70294103P	Electronic Coin Drop Assembly	United Kingdom (default) and Europe
	70294104	Electronic Coin Drop Assembly	Europe (default), Denmark and Norway
	70294105P	Electronic Coin Drop Assembly	Australia (default), New Zealand, Hong Kong, South Korea and Malaysia
	70294106	Electronic Coin Drop Assembly	Mexico (default), Ecuador and United States
	70294107	Electronic Coin Drop Assembly	Lithuania (default), Latvia and Europe
	70294111	Electronic Coin Drop Assembly	Euro; .10, .20, .50, 1.00 and 2.00
	70294116	Electronic Coin Drop Assembly	Malaysia (default) and China
	70294117	Electronic Coin Drop Assembly	Russia; 5.00 and 10.00
	70294119	Electronic Coin Drop Assembly	Thailand; 1, 5 and 10 Baht
	70294120	Electronic Coin Drop Assembly	Chile; Chelean peso
	70294121	Electronic Coin Drop Assembly	Singapore
	70441601P	Coin Drop	USA; \$.25
	70256402P	Coin Drop	USA; Dual; \$.25 and \$1.00
	70429001	Coin Drop	B models; USA
	38475	Coin Drop Assembly	Japan; 100 yen
	38519	Coin Drop Assembly	Japan; 100 and 500 yen
	38467	Coin Drop Assembly	Australia; .20 and 1.00
	70447301	Coin Drop Assembly	Australia; 1.00 and 2.00
	70482401	Coin Drop Assembly	New Zealand; 1.00 and 2.00
	39748	Coin Drop	Token; Jeton; Grooves on the face of the token; HU, LU, PU and SU models
	210195	Coin Drop Assembly	Euro; .20 and 1.00
	210196	Coin Drop Assembly	Euro; .50 and 1.00
	38462P	Coin Drop Assembly	Token; STD-118-1; .880 diameter x .079 thick; Brass
	38463	Coin Drop Assembly	Token; STD-118-5; .990 diameter x .081 thick; Silver
	70471601	Coin Drop Assembly	Token; 7K
	38464P	Coin Drop Assembly	Canada; .25
	70441602	Coin Drop Assembly	Canada; .25 and 1.00
38472	Coin Drop Assembly	England; 20 pence and 1 pound	
N/A	Coin Drop Assembly	Denmark; 1 and 5 DKK; May replace with 70294104P Electronic Coin Drop Assembly	
38521	Coin Drop Assembly	Korea; 100 and 500 won	
38963P	Coin Drop	Token STD-118-16 not available; Replacement for 38963P Coin Drop only	
39157	Coin Drop Assembly	Israel; Shekel	
CK114	Coin Drop Assembly	Singapore; Old 1.00	
CK123	Coin Drop Assembly	Singapore; New 1.00	
N/A	Coin Drop Assembly	Taiwan; Dual; 5 and 10 NT; May replace with CK113 Electronic Coin Drop Kit	
CK077	Coin Drop Kit	Taiwan; 10 NT	
4	200674P	Opto Coupler	
5	201595P	Wire Guard	

**N/A = Part no longer available**

# Coin Drop Kits

All Models Except U Models



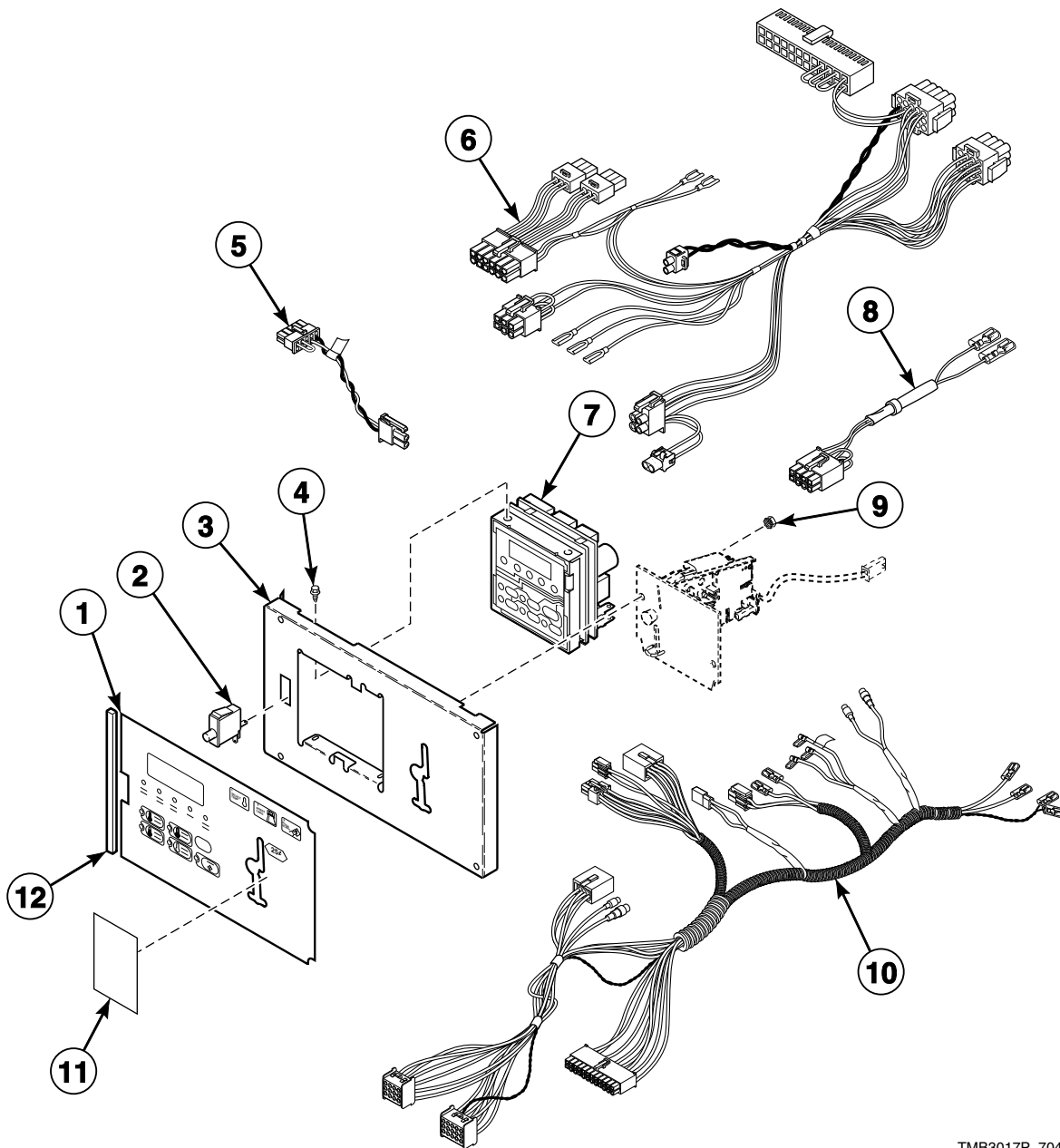
TMB2921PA\_70409401

## Coin Drop Kits

REF	PART NO.	DESCRIPTION	COMMENTS
	CK115	Electronic Coin Drop Kit	United States and Canada
	CK099	Electronic Coin Drop Kit	Australia (default), New Zealand, Hong Kong, South Korea and Malaysia
	CK100	Electronic Coin Drop Kit	United Kingdom (default) and Europe
	CK101	Electronic Coin Drop Kit	Europe (default), Denmark and Norway
	CK103	Electronic Coin Drop Kit	Lithuania (default), Latvia and Europe
	CK108	Electronic Coin Drop Kit	South Africa
	CK109	Electronic Coin Drop Kit	Euro
	CK113	Electronic Coin Drop Kit	Japan and Taiwan
	CK116	Electronic Coin Drop Kit	Malaysia (default) and China
	CK117	Electronic Coin Drop Kit	Russia
	CK118	Electronic Coin Drop Kit	Philippine
	CK119	Electronic Coin Drop Kit	Thailand
	CK120	Electronic Coin Drop Kit	Chile
	CK121	Electronic Coin Drop Kit	Singapore
	CK122	Coin Drop Kit	New Zealand; 1.00 and 2.00

# Coin Drop Components for NetMaster Models

S Models Through Serial No. 0904002963  
NC, NX, ZC and ZX Control Suffixes



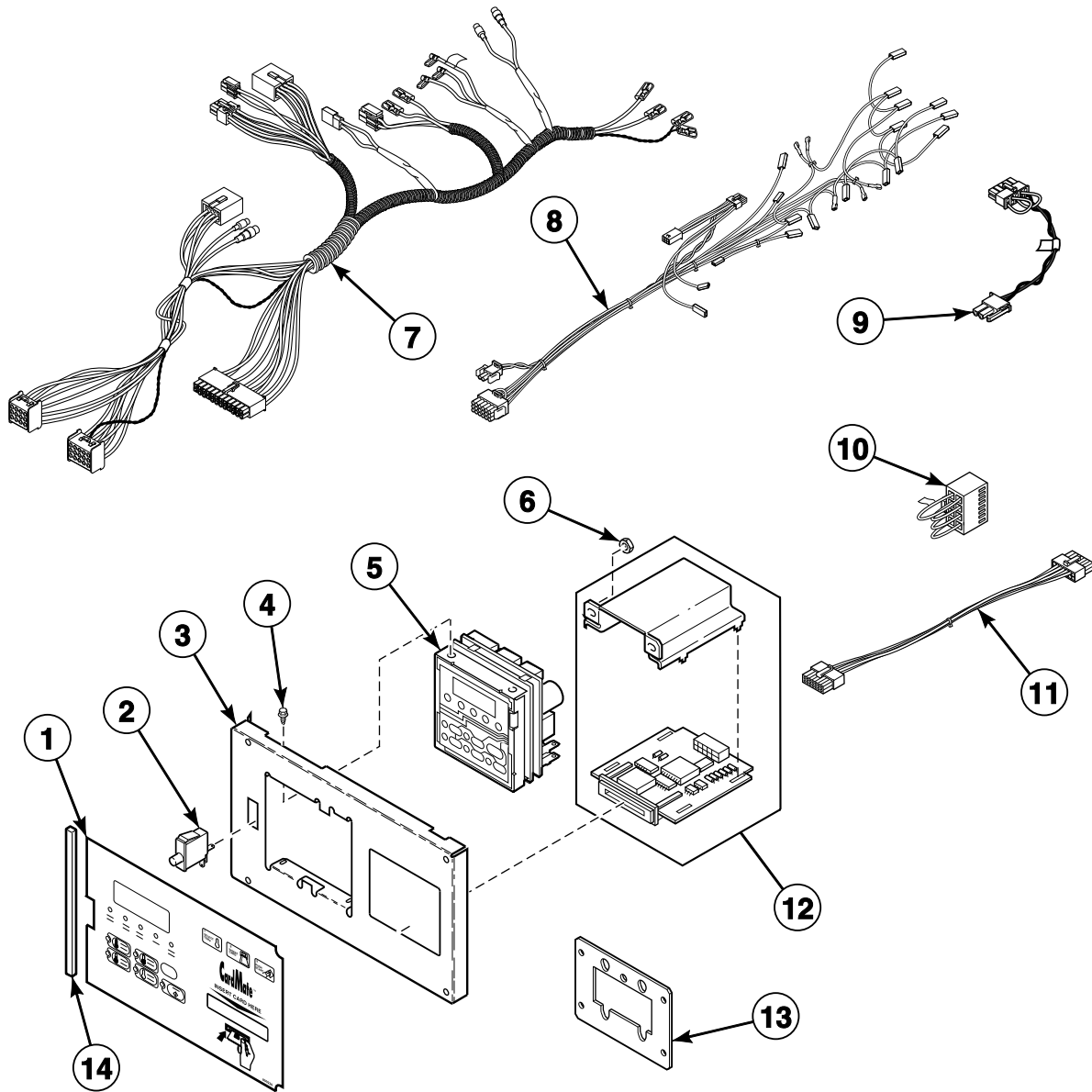
TMB3017P\_70409401

## Coin Drop Components for NetMaster Models

REF	PART NO.	DESCRIPTION	COMMENTS
1	70184301	Overlay	ST models; Single drop
	70184302	Overlay	ST models; Dual drop
2	70413301	Pushbutton Switch	
3	70175807	Control Plate Assembly	
4	D501524	Screw	For mounting NetMaster control
5	70324601	Jumper Calibration Wire	
6	70368001P	Control Panel Harness	ST models
	70315501P	Control Panel Harness	SA and SU models
7	D505905P	Control Kit	
	D510036P	Membrane Switch	Order to replace touchpad for D510034 Control Assembly in D505905P Control Kit
8	70364104P	Coin Vault Switch Harness	Non-CE models
9	70054	Nut	
10	70467801	Main Harness	Electric models need 55881 Harness Strap
11	44147801	Overlay	
12	70414101	Foam Gasket	6 inches required; Mounts to front of overlay, even with edge

# Card Reader Components for NetMaster Models

S Models Through Serial No. 0904002963  
NR, NY, ZR and ZY Control Suffixes



TMB3018P\_70409401

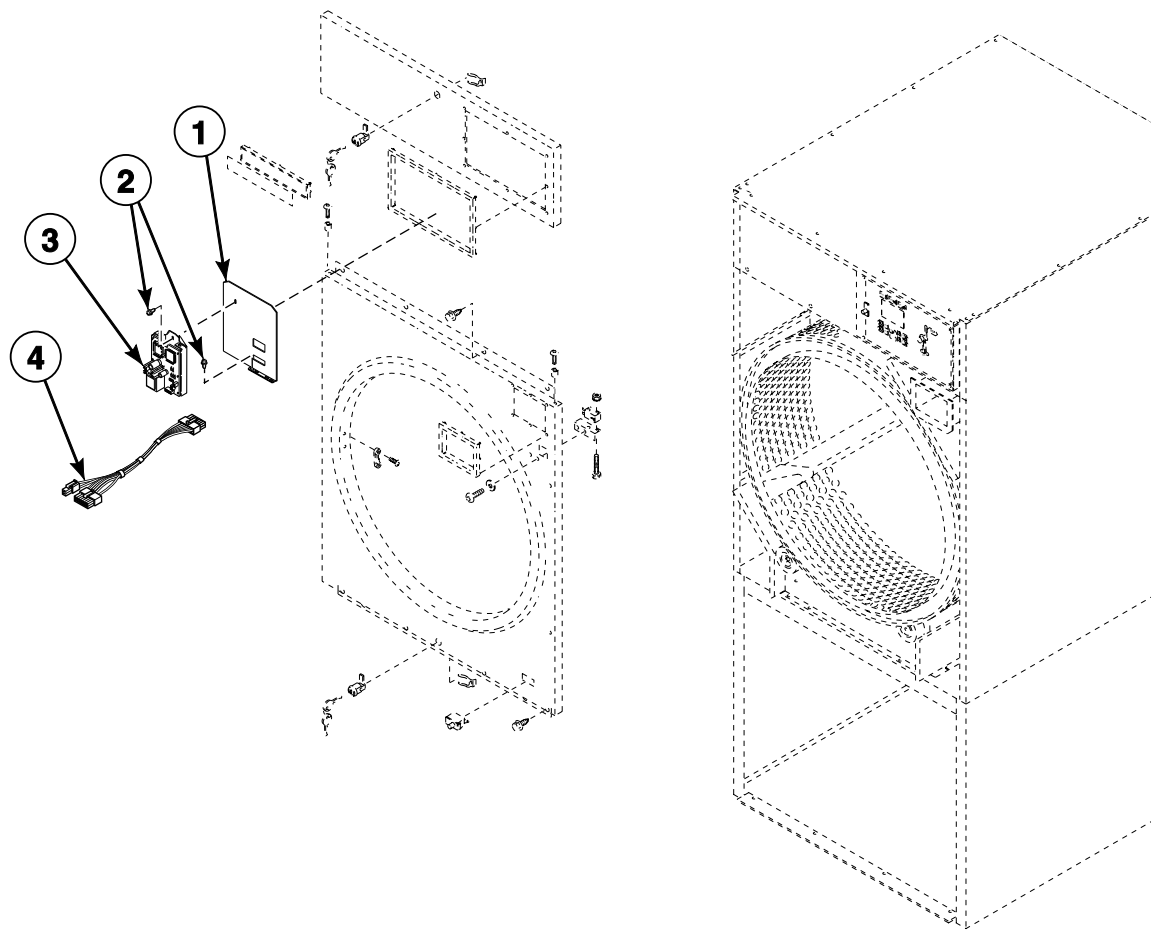
## Card Reader Components for NetMaster Models

REF	PART NO.	DESCRIPTION	COMMENTS
1	N/A	Overlay	ST models; Card reader ready
	70184401	Overlay	ST models; Card reader
2	70413301	Pushbutton Switch	
3	N/A	Control Plate Assembly	Card reader
	70348801	Control Plate Assembly	Card ready
4	D501524	Screw	
5	D505905P	Control Kit	
	D510036P	Membrane Switch	Order to replace touchpad for D510034 Control Assembly in D505905P Control Kit
6	70054	Nut	
7	70467801	Main Harness	Electric models need 55881 Harness Strap
8	70368001P	Control Panel Harness	ST models
	70315501P	Control Panel Harness	SA and SU models
9	70324601	Jumper Calibration Wire	
10	70364103	Bypass Harness	NR and ZR control suffixes; Non-CE models
11	70206601	Card Reader Network Harness Assembly	Card reader to network board
	70211801	Card Reader Harness Assembly	Card reader to control
12	D510068P	Card Reader and Bracket Assembly	
13	70208801	Mounting Plate	Use with 70348801 Control Plate Assembly
14	70414101	Foam Gasket	6 inches required; Mounts to front of overlay, even with edge

**N/A = Part no longer available**

# Network Board for NetMaster Models

SA and ST Models Through Serial No. 0904002963 with ZC, ZR, ZX and ZY Control Suffixes



TMB2387P\_70409401

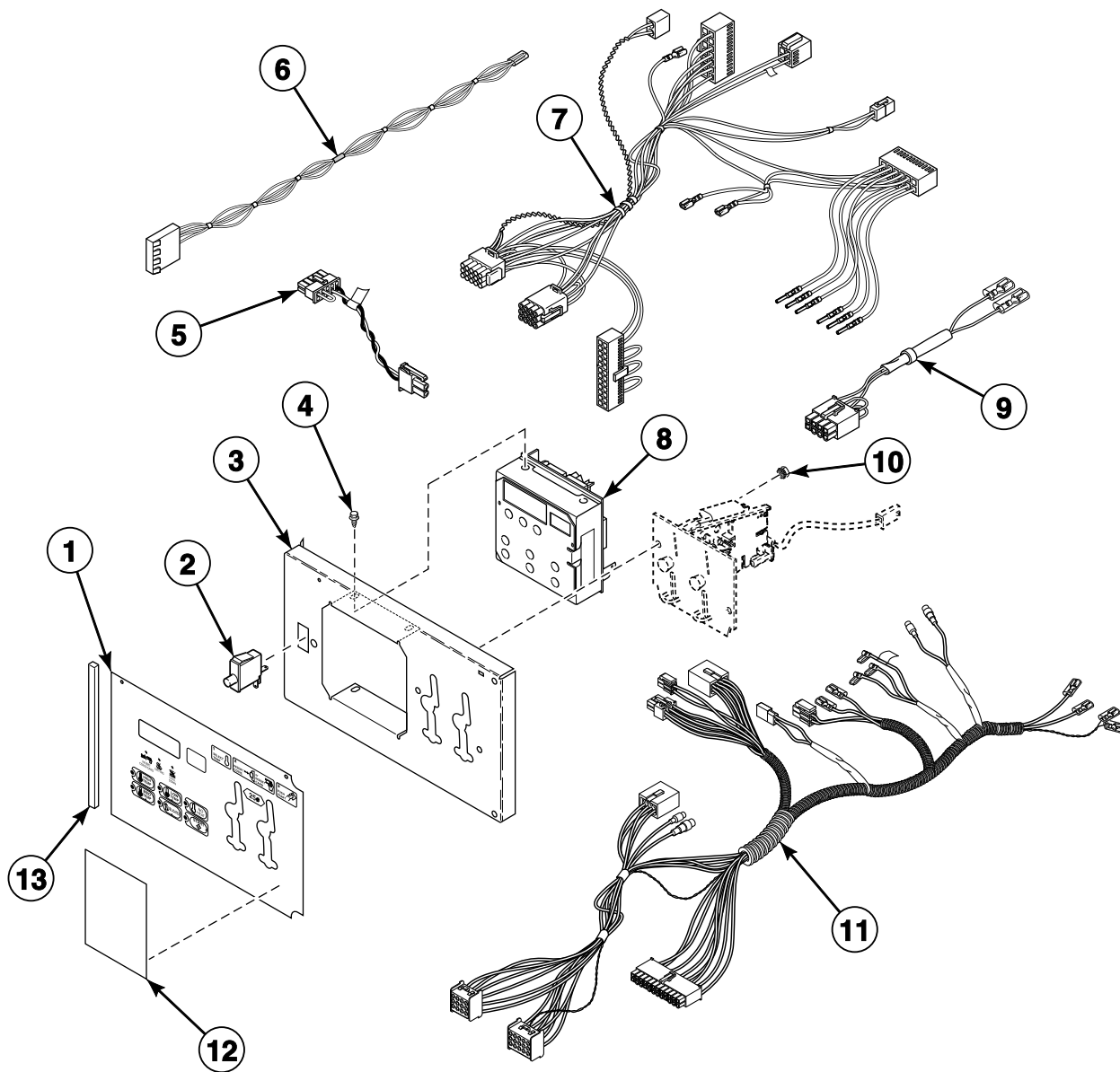


## Network Board for NetMaster Models

REF	PART NO.	DESCRIPTION	COMMENTS
	800246	Communication Wire Harness Assembly	
1	70201401	Network Plug Support	
2	430497	Screw	
3	210016P	Network Board Assembly	
4	800217	Network Wire Harness Assembly	

# Coin Drop Components for Quantum Control

M and S Models with LB, LC, LK, LL, LW, LX, WB, WC, WK, WL, WW and WX Control Suffixes



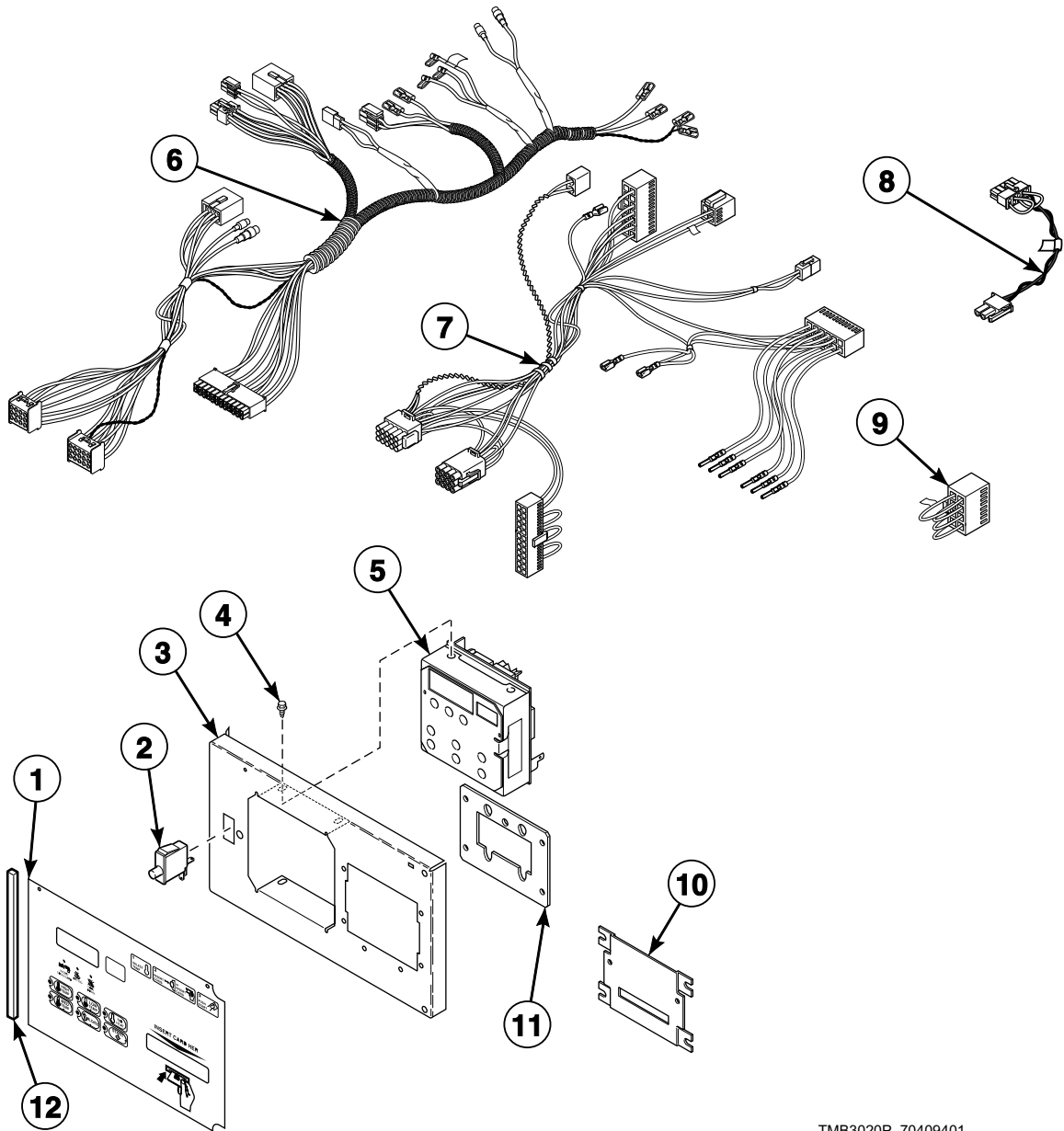
TMB3273P\_70409401

## Coin Drop Components for Quantum Control

REF	PART NO.	DESCRIPTION	COMMENTS
	NK206	Network Retrofit Kit	LC and LX control suffixes; Wired
	NK220	Network Controller Kit	LC and LX control suffixes; Wired
	NK301	Wireless Network Kit	LC and LX control suffixes; Wireless
	NK320	Ethernet Gateway Kit	LC and LX control suffixes; Wireless
	NK330	USB Gateway Kit	LC and LX control suffixes; Wireless
	203346	USB IR Interface Kit	
<b>1</b>	70449501	Control Overlay	M models
	70410001	Control Overlay	S models; Single drop
	70410002	Control Overlay	S models; Dual drop
<b>2</b>	70413301	Pushbutton Switch	
<b>3</b>	70291001P	Control Plate Kit	
<b>4</b>	D501524	Screw	For mounting item 8
<b>5</b>	70324601	Jumper Calibration Wire	
<b>6</b>	70484601	Central Pay Harness	LK, LL, WK and WL control suffixes
<b>7</b>	70410401P	Control Panel Harness	
<b>8</b>	70450501P	Control Assembly	Nonreversing
	70450503	Control Assembly	Reversing
<b>9</b>	70364104P	Coin Vault Switch Harness	Non-CE models
<b>10</b>	70054	Nut	
<b>11</b>	70467801	Main Harness	Electric models need 55881 Harness Strap; Models through 7/31/11 and starting again 7/9/12
	70441301	Main Harness	Electric models need 55881 Harness Strap; Models starting 8/1/11 through 7/8/12
<b>12</b>	39564	Coin Drop Overlay	LK, LL, WK and WL control suffixes; Cover
<b>13</b>	70414101	Foam Gasket	6 inches required; Mounts to front of overlay, even with edge

# Card Reader Components for Quantum Control

M and S Models with LY, LZ, WY and WZ Control Suffixes



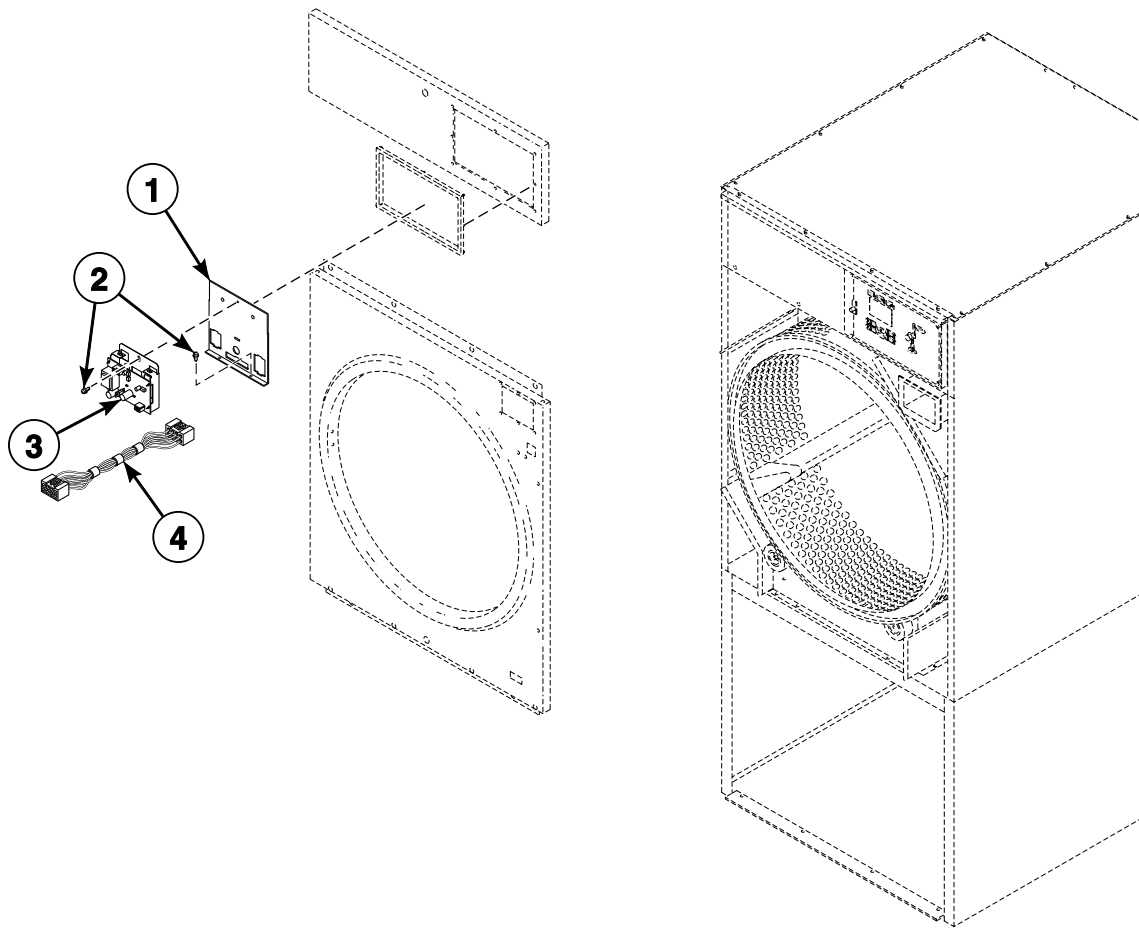
TMB3020P\_70409401

## Card Reader Components for Quantum Control

REF	PART NO.	DESCRIPTION	COMMENTS
	NK206	Network Retrofit Kit	LY control suffix; Wired
	NK220	Network Controller Kit	LYcontrol suffix; Wired
	NK301	Wireless Network Kit	LY control suffix; Wireless
	NK320	Ethernet Gateway Kit	LY control suffix; Wireless
	NK330	USB Gateway Kit	LY control suffix; Wireless
	203346	USB IR Interface Kit	
<b>1</b>	70410003	Overlay	
<b>2</b>	70413301	Pushbutton Switch	
<b>3</b>	70348801	Control Plate Assembly	
<b>4</b>	D501524	Screw	
<b>5</b>	70450501P	Control Assembly	Nonreversing
	70450503	Control Assembly	Reversing
<b>6</b>	70467801	Main Harness	Electric models need 55881 Harness Strap; Models through 7/31/11 and starting again 7/9/12
	70441301	Main Harness	Electric models need 55881 Harness Strap; Models starting 8/1/11 through 7/8/12
<b>7</b>	70410401P	Control Panel Harness	
<b>8</b>	70324601	Jumper Calibration Wire	
<b>9</b>	70364103	Bypass Harness	Non-CE models
<b>10</b>	44089501	Slot Card Plate Assembly	
<b>11</b>	70208801	Mounting Plate	
<b>12</b>	70414101	Foam Gasket	6 inches required; Mounts to front of overlay, even with edge

# Network Board

H, M and S Models with WB, WC, WW, WX, WY, WZ, ZB, ZC, ZW, ZY and ZZ Control Suffixes



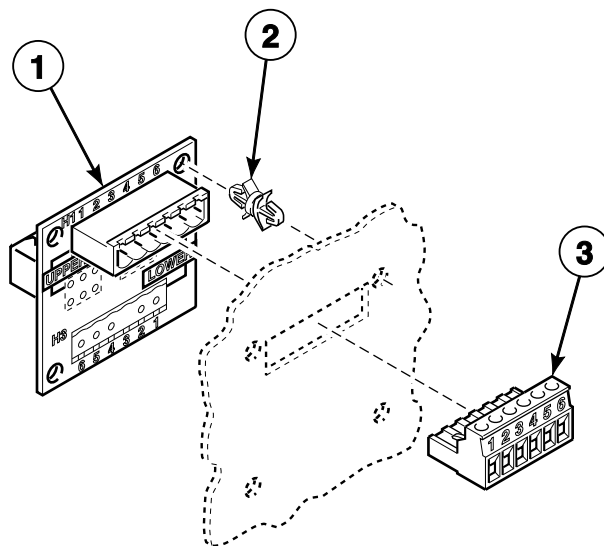
TMB2928P\_70409401

# Network Board

REF	PART NO.	DESCRIPTION	COMMENTS
	800246	Communication Wire Harness Assembly	Wired; M and S models
1	70307002	Control Housing Cover	
2	430497	Screw	Wired; M and S models
	D503661	Screw	Wireless
3	201341	Network Board Assembly	Wired; M and S models
	202335	Wireless Transceiver Assembly	Wireless
4	44088501P	Network Wire Harness Assembly	

# Communication Board

S Models Through Serial No. 0904002963 with ZC and ZR Control Suffixes  
M and S Models with WB and WC Control Suffixes



TMB1935P\_70409401

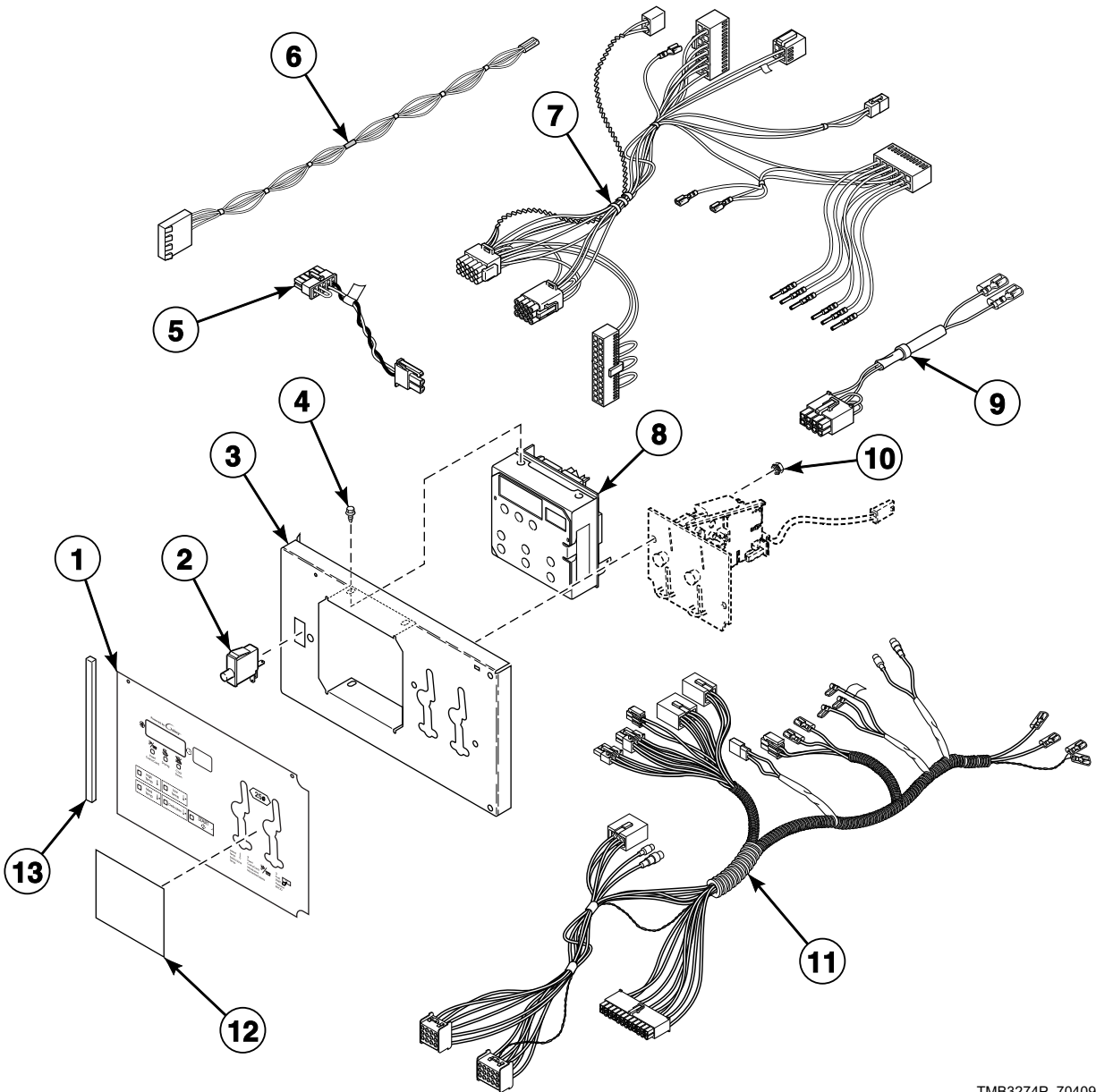


# Communication Board

REF	PART NO.	DESCRIPTION	COMMENTS
	210157P	Network Board	For desktop PC
	210165	Network Cable	For laptop PC
	210097	Communication Board	
1	210095P	Communication Board	
2	210098	PC Board Standoff	4 required
3	210099	Communication Connector	

# Coin Drop Components for Galaxy 600 Control

H Models with KB, KC, KK, KL, KW, KX, ZB, ZC, ZK, ZL, ZW and ZX Control Suffixes



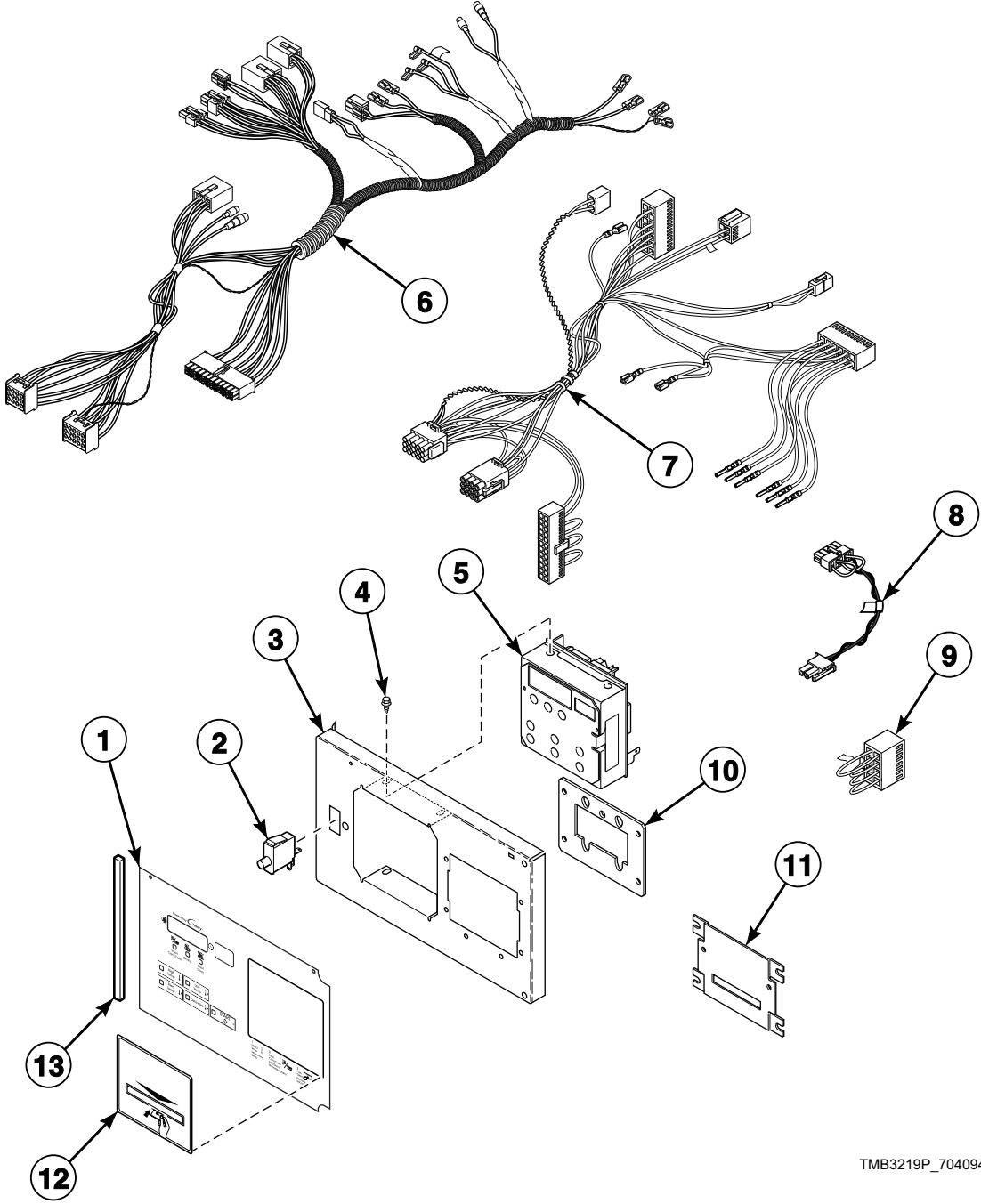
TMB3274P\_70409401

## Coin Drop Components for Galaxy 600 Control

REF	PART NO.	DESCRIPTION	COMMENTS
	NK301	Wireless Network Kit	ZC and ZX control suffixes; Wireless
	NK320	Ethernet Gateway Kit	ZC and ZX control suffixes; Wireless
	203346	USB IR Interface Kit	
<b>1</b>	70473001	Control Overlay	Single drop; Gray
	70473002	Control Overlay	Dual drop; Gray
	70504501	Overlay	Single drop; Gray/green
	70504502	Overlay	Dual drop; Gray/green
	70504601	Overlay	Single drop; Green
	70504602	Overlay	Dual drop; Green
<b>2</b>	70413301	Pushbutton Switch	
<b>3</b>	70291001P	Control Plate Kit	
<b>4</b>	D501524	Screw	For mounting item 8
<b>5</b>	70324601	Jumper Calibration Wire	
<b>6</b>	70484601	Central Pay Harness	KK, KL, ZK and ZL control suffixes
<b>7</b>	70410401P	Control Panel Harness	
<b>8</b>	70450502P	Control Assembly	Nonreversing
	70450504	Control Assembly	Reversing
<b>9</b>	70364104P	Coin Vault Switch Harness	Non-CE models
<b>10</b>	70054	Nut	
<b>11</b>	70467801	Main Harness	
<b>12</b>	70246301	Coin Cover Overlay	KK, KL, ZK and ZL control suffixes; Cover
<b>13</b>	70414101	Foam Gasket	6 inches required; Mounts to front of overlay, even with edge

# Card Reader Components for Galaxy 600 Control

H Models with KY, KZ, ZY and ZZ Control Suffixes



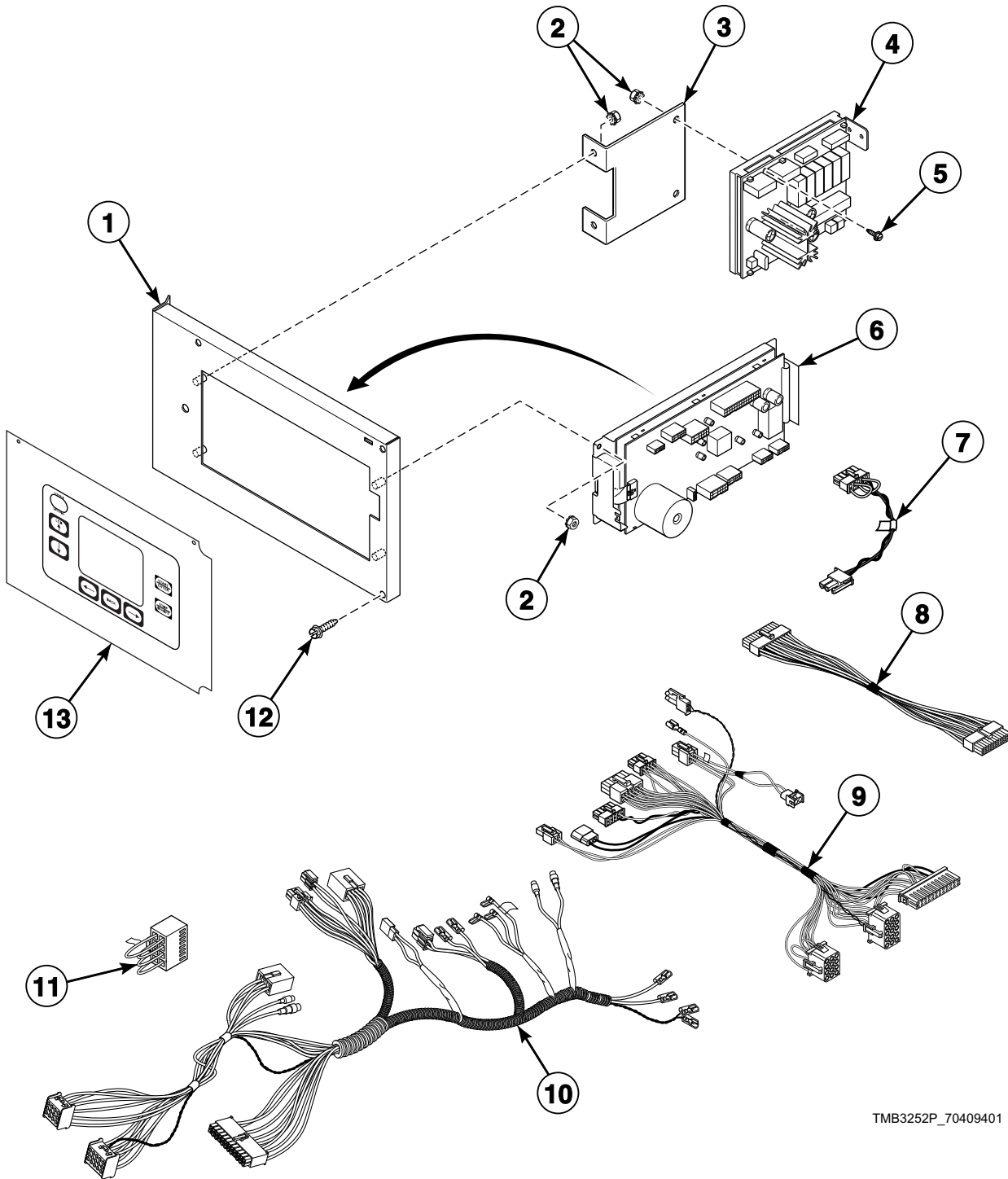
TMB3219P\_70409401

## Card Reader Components for Galaxy 600 Control

REF	PART NO.	DESCRIPTION	COMMENTS
	NK301	Wireless Network Kit	ZY control suffix; Wireless
	NK320	Ethernet Gateway Kit	ZY control suffix; Wireless
	203346	USB IR Interface Kit	
<b>1</b>	70473003	Control Overlay	Gray
	70504503	Overlay	Gray/green
	70504603	Overlay	Green
<b>2</b>	70413301	Pushbutton Switch	
<b>3</b>	70336501	Control Plate Assembly	
<b>4</b>	D501524	Screw	
<b>5</b>	70450502P	Control Assembly	Nonreversing
	70450504	Control Assembly	Reversing
<b>6</b>	70467801	Main Harness	
<b>7</b>	70410401P	Control Panel Harness	
<b>8</b>	70324601	Jumper Calibration Wire	
<b>9</b>	70364103	Bypass Harness	Non-CE models
<b>10</b>	70208801	Mounting Plate	
<b>11</b>	44089501	Slot Card Plate Assembly	
<b>12</b>	70334301	Card Reader Overlay	
<b>13</b>	70414101	Foam Gasket	6 inches required; Mounts to front of overlay, even with edge

# UniLinc Control

U Models with RU and UO Control Suffixes



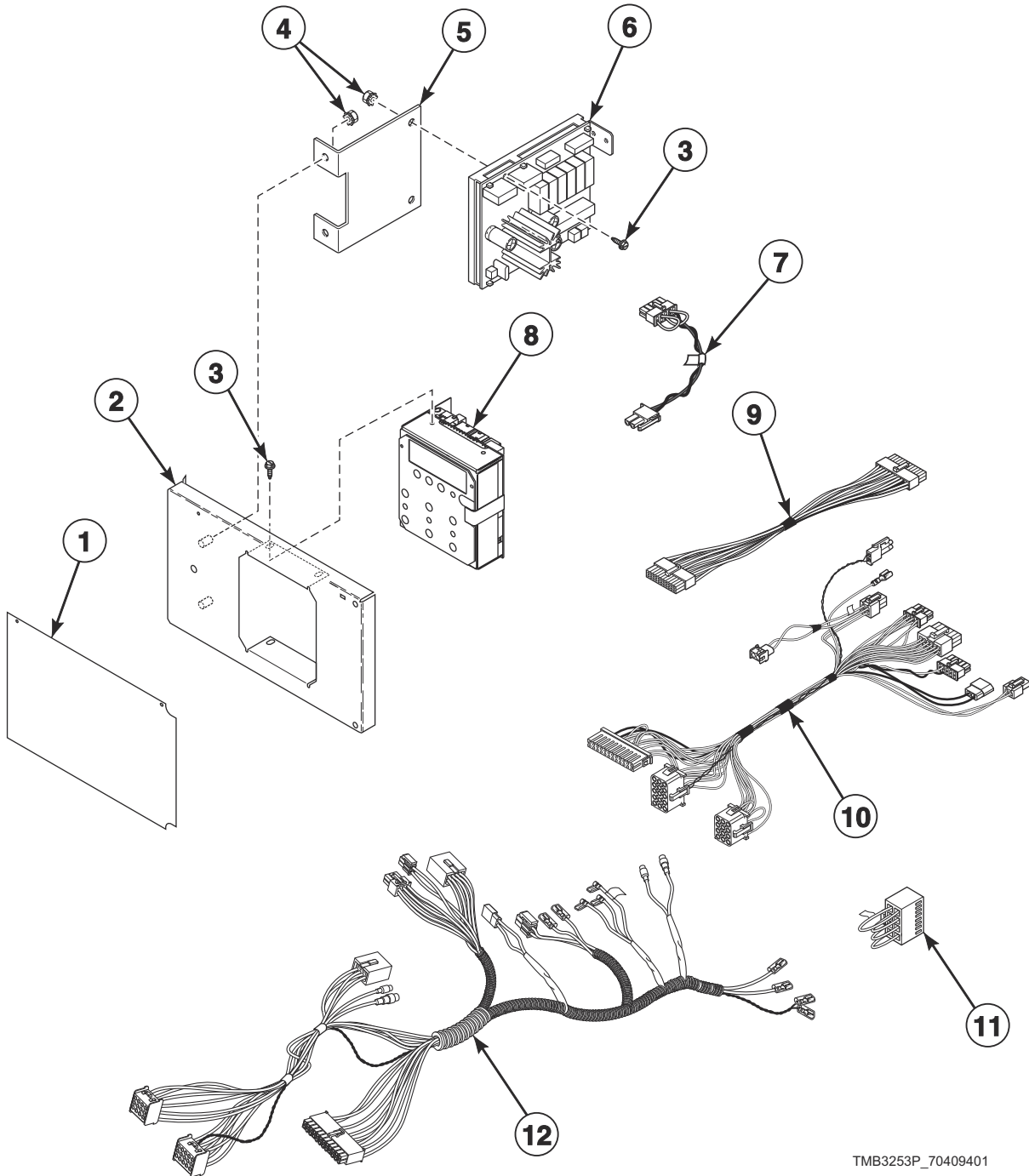
TMB3252P\_70409401

# UniLinc Control

REF	PART NO.	DESCRIPTION	COMMENTS
	NK206	Network Retrofit Kit	Wired
	NK220	Network Controller Kit	Wired
	NK301	Wireless Network Kit	Wireless
	NK320	Ethernet Gateway Kit	Wireless
	NK330	USB Gateway Kit	Wireless
	203346	USB IR Interface Kit	
<b>1</b>	70475601	Control Plate Assembly	
<b>2</b>	70054	Nut	
<b>3</b>	70440601	Output Bracket	
<b>4</b>	70434101P	Control Assembly	
<b>5</b>	D501524	Screw	
<b>6</b>	70454001P	Control Assembly	
<b>7</b>	70324601	Jumper Calibration Wire	
<b>8</b>	44186101	Output Harness	Use between item 4 and item 6
<b>9</b>	44240301	Control Panel Harness	Goes from item 6 to main harness
<b>10</b>	70441301	Main Harness	Models through 7/8/12
	70467801	Main Harness	Models starting 7/9/12
<b>11</b>	70364103	Bypass Harness	Non-CE models
<b>12</b>	70069901	Screw	
<b>13</b>	70432201	Overlay	Models through 8/17/14
	70499001	Overlay	Models starting 8/18/14

# LED OPL Control

B, C, H, I, N, S and U Models  
G, K, L, P and Y Models Starting 1/16/12  
Models with EO and RE Control Suffixes



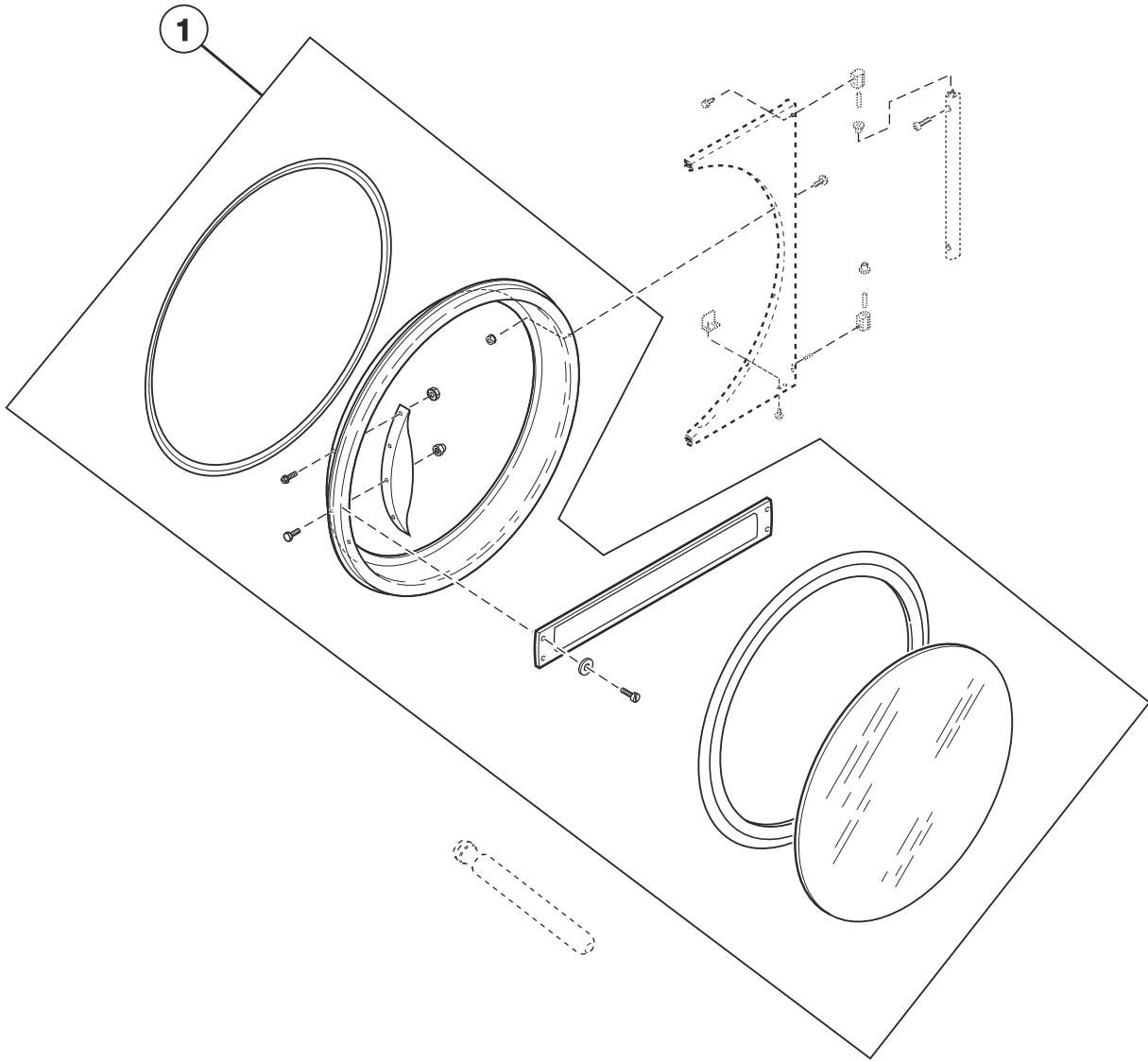
TMB3253P\_70409401



# LED OPL Control

REF	PART NO.	DESCRIPTION	COMMENTS
	203346	USB IR Interface Kit	
<b>1</b>	70445001	Overlay	S models; EO control suffix
	70445002	Overlay	S models; RE control suffix
	70445003	Overlay	H models; EO control suffix
	70445004	Overlay	H models; RE control suffix
	70462402	Overlay	B, C and I models; Models through 7/14/14; EO control suffix
	70462401	Overlay	B, C and I models; Models through 7/14/14; RE control suffix
	70504902	Overlay	B, C and I models; Models starting 7/15/14; EO control suffix
	70504901	Overlay	B, C and I models; Models starting 7/15/14; RE control suffix
	70462702	Overlay	U models; Models through 8/17/14; EO control suffix
	70462701	Overlay	U models; Models through 8/17/14; RE control suffix
	70493702	Overlay	U models; Models starting 8/18/14; EO control suffix
	70493701	Overlay	U models; Models starting 8/18/14; RE control suffix
	70462902	Overlay	G and K models; EO control suffix
	70462901	Overlay	G and K models; RE control suffix
	70472402	Overlay	P models through 9/30/14; EO control suffix
	70472401	Overlay	P models through 9/30/14; RE control suffix
	70508602	Overlay	P models starting 10/1/14 through 5/31/15; L models starting 1/29/15 through 5/31/15; EO control suffix
	70508601	Overlay	P models starting 10/1/14 through 5/31/15; L models starting 1/29/15 through 5/31/15; RE control suffix
	70526002	Overlay	L and P models starting 6/1/15; EO control suffix
	70526001	Overlay	L and P models starting 6/1/15; RE control suffix
70472202	Overlay	N and Y models; L models through 1/28/15; EO control suffix	
70472201	Overlay	N and Y models; L models through 1/28/15; RE control suffix	
<b>2</b>	70440901	Control Plate and Studs Assembly	
<b>3</b>	D501524	Screw	
<b>4</b>	70054	Nut	
<b>5</b>	44223101	Output Bracket	
<b>6</b>	70434101P	Control Assembly	
<b>7</b>	70324601	Jumper Calibration Wire	
<b>8</b>	70454101P	Control Assembly	H, S and U models; L and P models starting 6/1/15
	70437102P	Control Assembly	B, C and I models; Models through 7/14/14
	70503702P	Control Assembly	B, C and I models; Models starting 7/15/14
	70437103P	Control Assembly	P models through 5/31/15; L models starting 1/29/15 through 5/31/15
	70437104P	Control Assembly	G and K models
	70437105P	Control Assembly	N and Y models; L models through 1/28/15
<b>9</b>	44186101	Output Harness	Use between item 6 and item 8
<b>10</b>	44240301	Control Panel Harness	Goes from item 8 to main harness
<b>11</b>	70364103	Bypass Harness	Non-CE models
<b>12</b>	70441301	Main Harness	Models through 7/8/12
	70467801	Main Harness	Models starting 7/9/12

# Door Assemblies

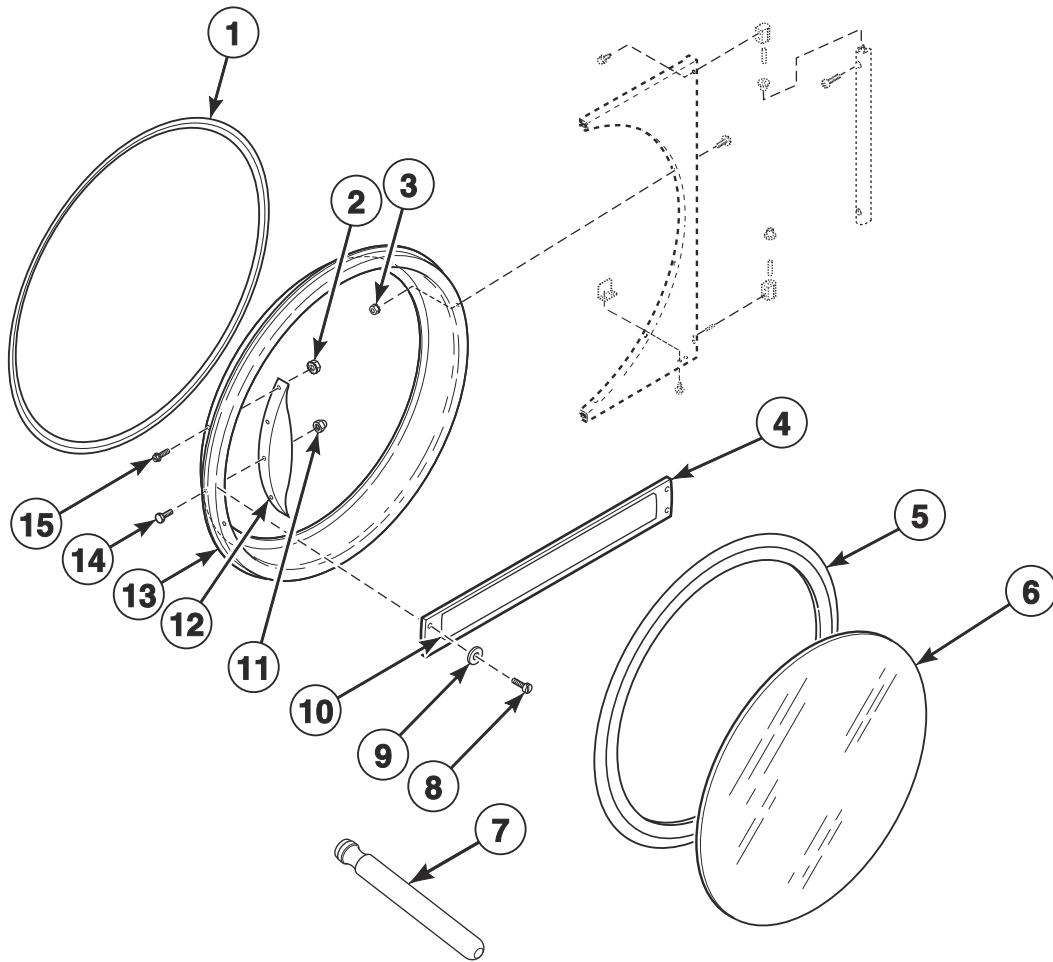


TMB3152P\_70409401

## Door Assemblies

REF	PART NO.	DESCRIPTION	COMMENTS
	M4774P3	Control Panel and Door Hinge Kit	B and I models; To change from old look to new look
	70133501P	Replacement Door Handle Kit	H models
1	44046701	Door Assembly	B, C and I models through 7/31/11; Excludes hinge
	70496501	Door Assembly	U models; Models starting 8/18/14
	70212300	Door Assembly	M, N and S models; Excludes hinge
	70212301	Door Assembly	U models through 8/17/14; B, C and I models starting 8/1/11; Excludes hinge
	44058001P	Door Assembly	H models; Excludes hinge
	44058004P	Door Assembly	H models; Chrome option; Excludes hinge
	70496502P	Door Assembly	U models; Chrome option; Excludes hinge
	70212302	Door Assembly	S models; Chrome option; Excludes hinge
	70064100	Door Assembly	L models through 1/28/15
	70212200	Door Assembly	Y models; P models through 9/30/14; Excludes hinge
	44287801LGP	Door Assembly	P models starting 10/1/14; L models starting 1/29/15; Excludes hinge
	44287801B	Door Assembly	P models starting 7/5/16; Use with stainless steel front panel; Excludes hinge
	70408901	Door Assembly	G and K models; Includes handle

# Door Components



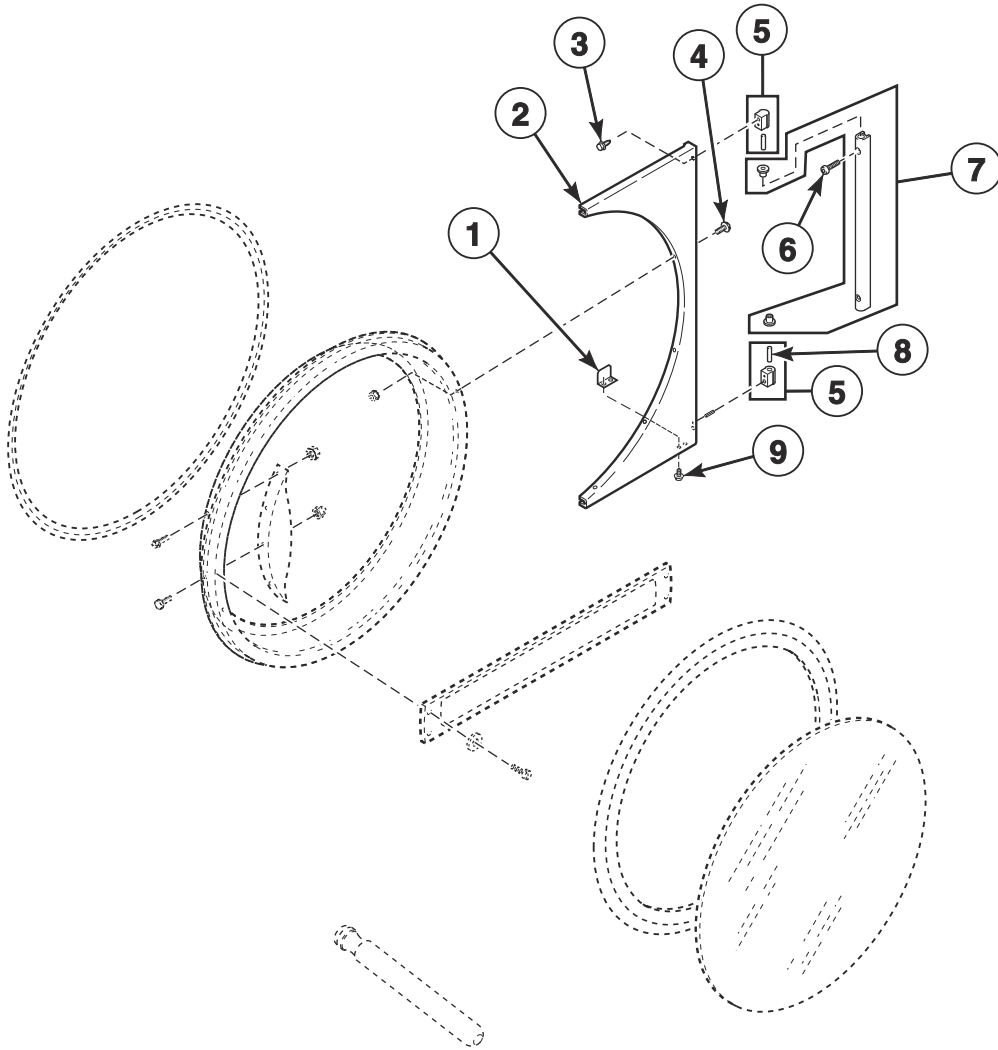
TMB3152PA\_70409401

# Door Components

REF	PART NO.	DESCRIPTION	COMMENTS
	M4774P3	Control Panel and Door Hinge Kit	B and I models; To change from old look to new look
	70133501P	Replacement Door Handle Kit	H models
1	70296801	Door Ring Gasket	
2	44071201	Nut	H, M, N and S models; 4 required
3	70054	Nut	
4	70399502B	Handle Bar	G and K models
5	70211901P	Door Glass Seal Kit	Use Loctite 414 for seal
6	70133601P	Door Glass	H models
	M400784P	Door Glass	All other models
7	M4221P4	Door Glass Installation Tool	
8	70412601	Pop Rivet	G and K models; Attaches door handle to door ring
9	70409301	Washer	G and K models
10	70414001	Label	G models; Coin
	44144401	Nameplate Overlay	K models; Coin
11	M414215	Nut	For door strike; Mounts between door strike screw and door handle
12	44007902P	Door Handle	M, N and S models; U models through 8/17/14; B, C and I models starting 8/1/11
	44263801	Door Handle	U models; Models starting 8/18/14; Use 901620 Screw, 803871 Screw and 44088001 Nut to attach
	44057701	Door Handle	H models
	430117	Door Handle	L models; Models through 1/28/15
	70566701	Door Handle Replacement Kit	L models through 1/28/15; Kit needed only when handle is being mounted on a stamped door ring
	M400133	Door Handle	Y models; P models through 9/30/14
13	44043501	Door Ring and Handle Assembly	B, C and I models through 7/31/11; P models through 9/30/14
	70543902	Door Ring Assembly	L models through 1/28/15; U models starting 8/18/14; See NOTE
	70505709B	Door Ring Assembly	B, C and I models starting 8/1/11
	70505712	Door Ring Assembly	H and S models; Chrome option
	70505713P	Door Ring Assembly	U models; Chrome option
	70543907LG	Door Ring and Handle Assembly	P models starting 10/1/14; L models starting 1/29/15; See NOTE
	44287701B	Door Ring and Handle Assembly	P models starting 7/5/16; Use with stainless steel and white front panel
	70505707B	Door Ring	G and K models
	70543901	Door Ring Assembly	N and S models; U models through 8/17/14; Stainless steel; See NOTE
14	M400661	Screw	H, I, M, N, S and U models; Use with 70024801 and 44057701 Door Handle
	M409385	Screw	P and Y models; Use with 70133501P Replacement Door Handle Kit and M400133 Door Handle
	430756	Screw	L models; Use with 430117 Door Handle
15	44024201	Hole Plug	B, C and I; 4 required
	61199	Screw	

**NOTE: Models through Serial No. 1610047745 with a stainless steel front panel - if ordering a new door ring, a new stainless steel front panel must also be ordered**

# Hinge Components



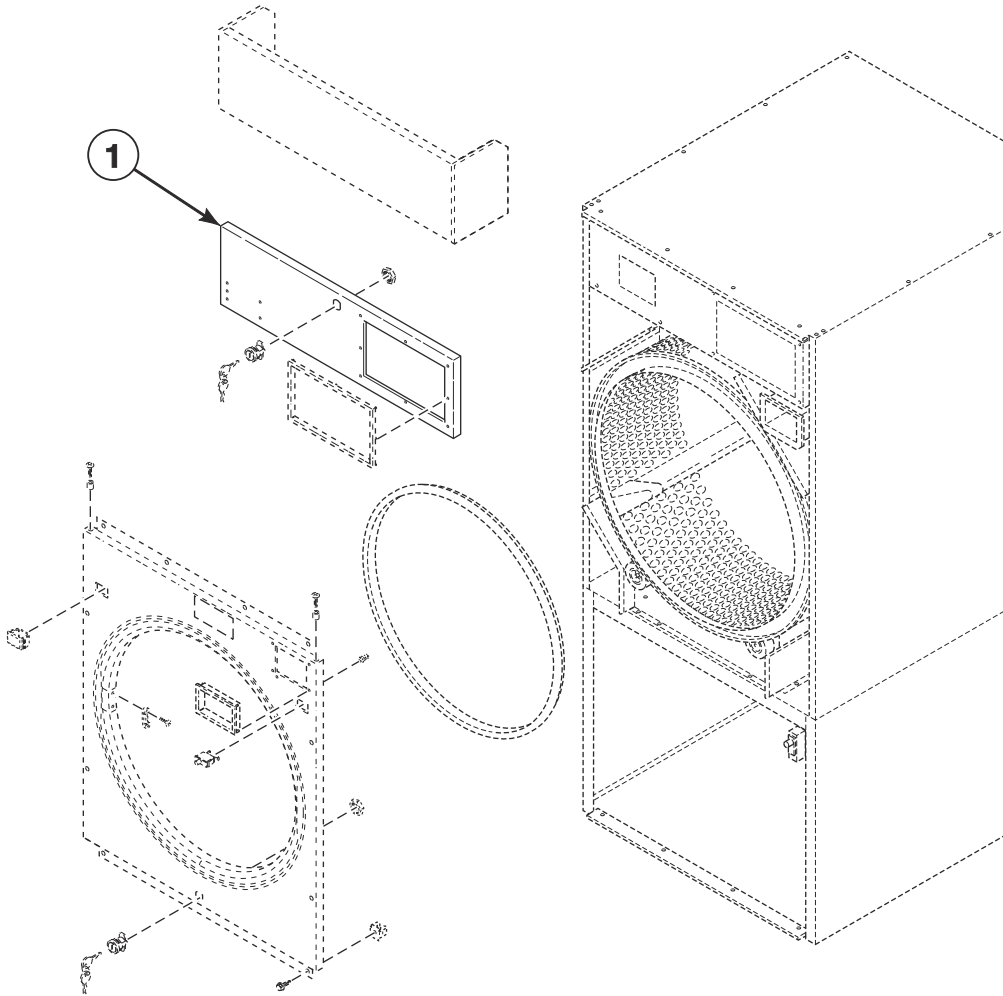
TMB3152PB\_70409401

# Hinge Components

REF	PART NO.	DESCRIPTION	COMMENTS
	M4774P3	Control Panel and Door Hinge Kit	B and I models; To change from old look to new look
1	70215001P	Door Switch Actuator Kit	
2	70116003*	Door Hinge	H, M, N, S, U and Y models; C models starting 8/1/11; P models through 9/30/14; L models through 1/28/15
	70116004	Door Hinge	C, H, L, M, P, S, U and Y models through 3/31/15; B and I models through 7/31/11; Stainless steel
	70116006	Door Hinge	H, L, M, P, S, U and Y models; Models starting 4/1/15; Stainless steel
	70116005LG	Door Hinge	Light gray; U models; P models starting 10/1/14; L models starting 1/29/15
	70116005B	Door Hinge	Black; G and K models; B and I models starting 8/1/11; P models starting 7/1/17 with white front panel
3	70442101	Screw	
4	D501524	Screw	
5	M4772P3	Cam and Hinge Kit	C, H, L, M, P, S, U and Y models; B and I models through 7/31/11
	M4773P3	Cam and Hinge Kit	Black; G and K models; B and I models starting 8/1/11; P models starting 7/1/17 with white front panel
6	70033502	Screw	C, H, L, M, P, S, U and Y models; B and I models through 7/31/11
	70407301	Screw	Black; G and K models; B and I models starting 8/1/11; P models starting 7/1/17 with white front panel
7	44035001	Door Hinge Lug Assembly	C, H, L, M, P, S, U and Y models; B and I models through 7/31/11
	44035002	Door Hinge Lug Assembly	Black; G and K models; B and I models starting 8/1/11; P models starting 7/1/17 with white front panel
8	70071401	Pin	
9	70058501	Pop Rivet	

\* Add Letter To Designate Color. L - Almond Q - Bisque W - White

# Control Panels



TMB3315P\_70409401

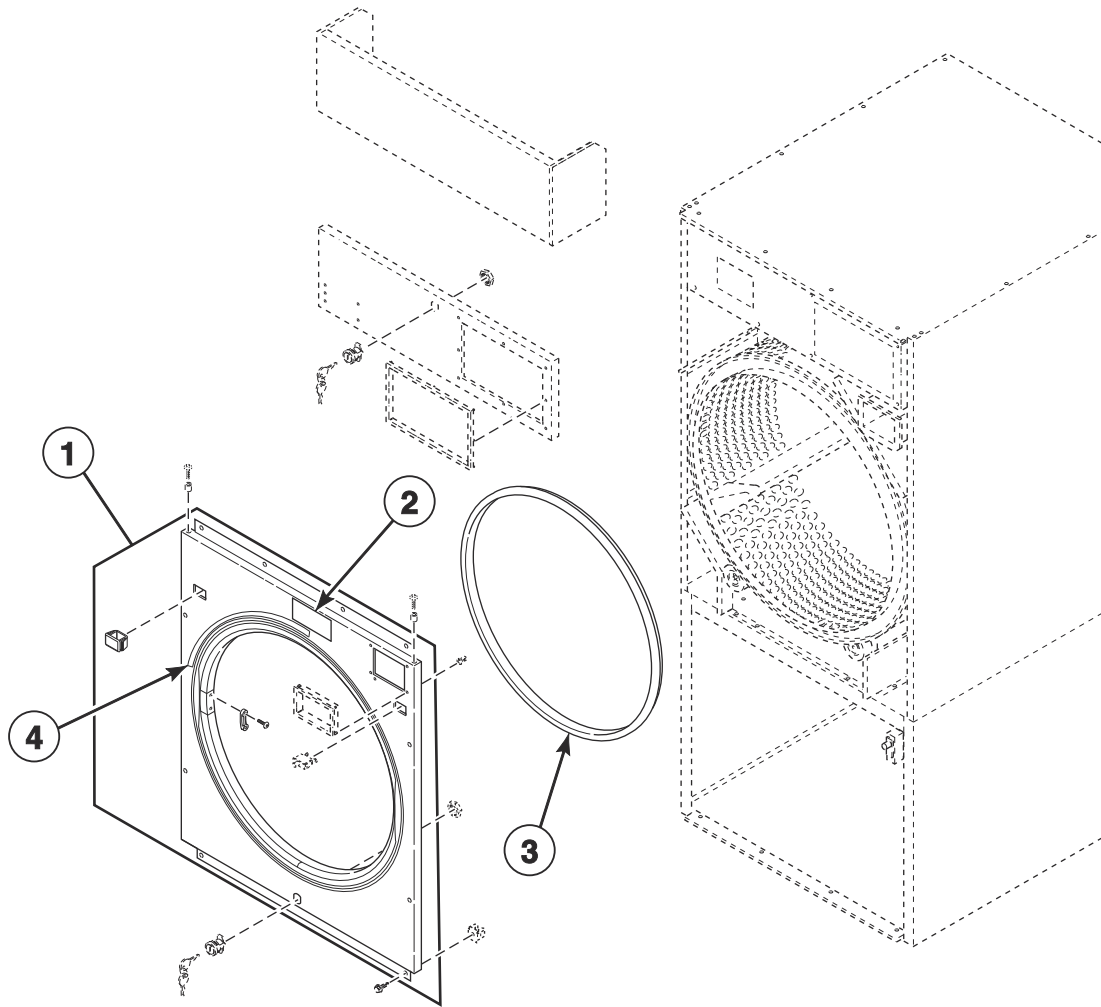


# Control Panels

REF	PART NO.	DESCRIPTION	COMMENTS
	M4774P3	Control Panel and Door Hinge Kit	B and I models; To change from old look to new look
1	70273301*	Control Panel	C models; B and I models through 7/31/11; Manual
	70273302	Control Panel	C models; B and I models through 7/31/11; Manual; Stainless steel
	70273303*	Control Panel	C models; B and I models through 7/31/11; Electronic
	70273304	Control Panel	C models; B and I models through 7/31/11; Electronic; Stainless steel
	70273307B	Control Panel	B and I models starting 8/1/11 through 7/8/12
	70273308B	Control Panel	B and I models starting 7/9/12
	70273305*	Control Panel	G and K models
	70273306	Control Panel	G and K models through 3/31/15; Stainless steel
	70273313	Control Panel	G and K models starting 4/1/15; Stainless steel
	70121501*	Control Panel	M, S and Y models; P models through 9/30/14; U models through 8/17/14; P models starting 7/1/17 with white front panel
	70121502	Control Panel	M, S and Y models through 3/31/15; U models through 8/17/14; P models through 9/30/14; Stainless steel
	70121508	Control Panel	M, P, S and Y models starting 4/1/15; Stainless steel
	70273309LG	Control Panel	Light gray; U models
	70273310	Control Panel	U models; Models starting 8/18/14 through 3/31/15; Stainless steel
	70273314	Control Panel	U models starting 4/1/15; Stainless steel
	70273311*	Control Panel	U models; Models starting 8/18/14
	70121507DG	Control Panel	P models starting 10/1/14; L models starting 1/29/15; Dark gray
	70121505*	Control Panel	H and N models
	70121506	Control Panel	H models through 3/31/15; Stainless steel
	70121509	Control Panel	H models starting 4/1/15; Stainless steel
	70121501B	Control Panel	L models through 1/28/15

\* Add Letter To Designate Color. L - Almond Q - Bisque W - White

# Front Panel Assemblies



TMB3315PA\_70409401

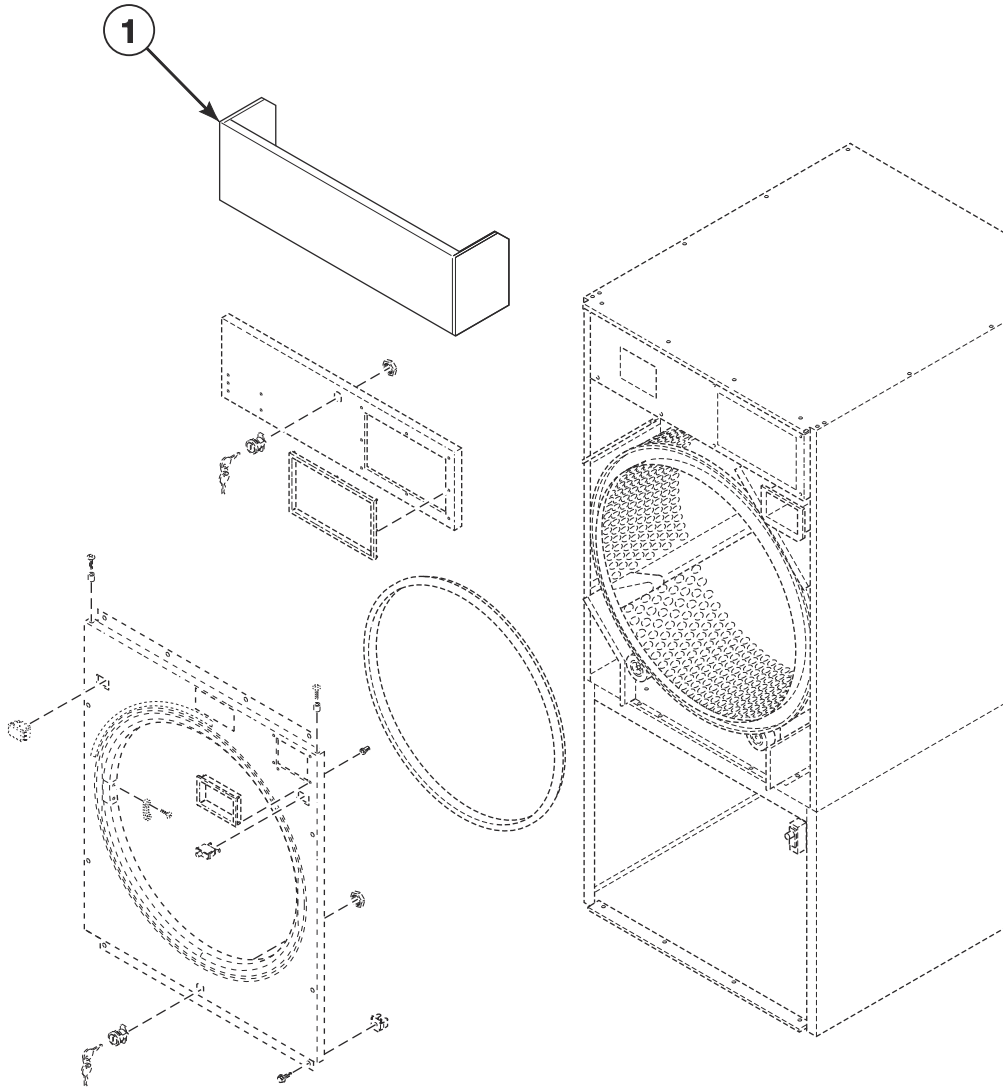
# Front Panel Assemblies

REF	PART NO.	DESCRIPTION	COMMENTS
1	44115401*P	Front Panel Assembly	B, C, H, I, M, N and S models; P models through 9/30/14 and starting again 7/1/17; L models through 1/28/15; ** control suffixes
	44115502	Front Panel Assembly	B, C, H, I, M and S models; P models through 9/30/14; L models through 1/28/15; ** control suffixes; Stainless steel
	44115601*	Front Panel Assembly	H, M, N and S models; P models through 9/30/14 and starting again 7/1/17; L models through 1/28/15; BK, BL, BY, LY, NR and ZR control suffixes
	44115702	Front Panel Assembly	H, M, P and S models; P models through 9/30/14; L models through 1/28/15; BK, BL, BY, LY, NR and ZR control suffixes; Stainless steel
	44115801*	Front Panel Assembly	Non-CE B, C, H, I, N, S, U and Y models; Non-CE P models starting 7/1/17; OPL
	70329715LG	Front Panel	Light gray; Non-CE U models; OPL
	44115901	Front Panel Assembly	Non-CE B, C, H, I, N, S, U and Y models through 3/31/15; OPL; Stainless steel
	44115902	Front Panel Assembly	Non-CE B, H, I, P, S, U and Y models starting 4/1/15; OPL; Stainless steel
	44116001*	Front Panel Assembly	CE B, C, H, N, S, U and Y models; CE P models starting 7/1/17; OPL
	44116102	Front Panel Assembly	CE B, C, H, P, S and Y models; CE U models through 8/17/14; OPL; Stainless steel
	70329716LG	Front Panel	Light gray; CE U models; OPL
	44116201*P	Front Panel Assembly	B, C, H, I, M, N and S models; P models through 9/30/14; L models through 1/28/15; ** control suffixes; Hinged lint drawer
	44116301	Front Panel Assembly	B, C, H, I, M, N and S models through 3/31/15; P models through 9/30/14; L models through 1/28/15; ** control suffixes; Stainless steel; Hinged lint drawer
	44116302	Front Panel Assembly	B, H, I, M, P and S models starting 4/1/15; ** control suffixes; Stainless steel
	70329717DG	Front Panel	Dark gray; P models starting 10/1/14; L models starting 1/29/15; Coin
	70329719DG	Front Panel	Dark gray; P models starting 10/1/14; L models starting 1/29/15; Coin; No lock
	70329718DG	Front Panel	Dark gray; P models starting 10/1/14; L models starting 1/29/15; Card and central pay
	70329715DG	Front Panel	Dark gray; Non-CE P models starting 10/1/14; Non-CE L models starting 1/29/15; OPL
	70329716DG	Front Panel	Dark gray; CE P models starting 10/1/14; CE L models starting 1/29/15; OPL
	2	44108201	Label
44190901		Label	L and P models
44128901		Fire Suppression System Label	G and K models
3	70173401P	Front Panel Seal	
4	M410892	Warning Label	

\* Add Letter To Designate Color. L - Almond Q - Bisque W - White

\*\* NOTE: 3B, 3K, 3L, 3V, 3W, 3X, BB, BC, BW, BX, DV, DX, LC, LK, LL, LX, NC, NX, SD, SX, ZC and ZX

# False Fronts



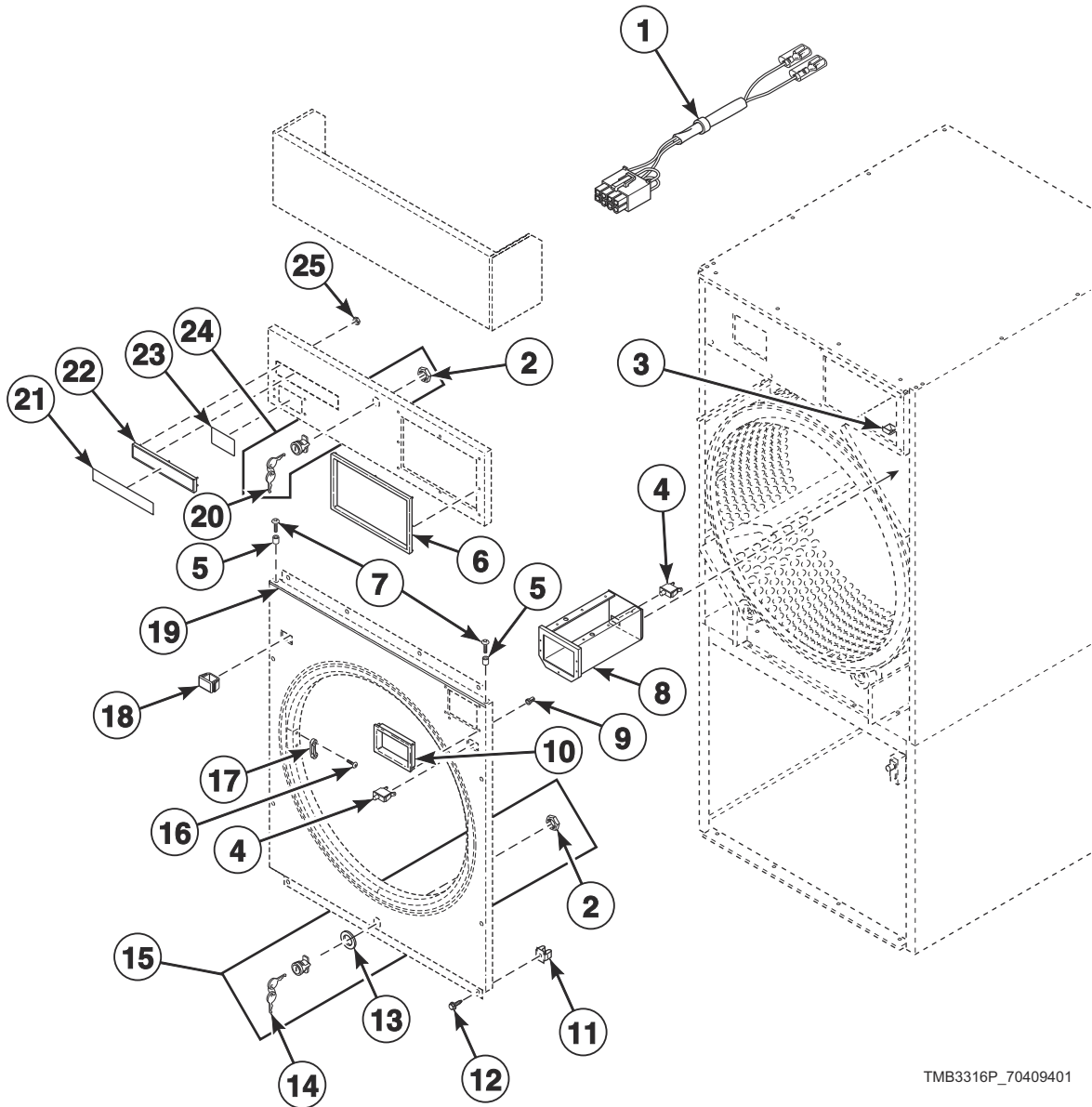
TMB3315PB\_70409401

## False Fronts

REF	PART NO.	DESCRIPTION	COMMENTS
	M4774P3	Control Panel and Door Hinge Kit	B and I models; To change from old look to new look
1	70000503DG	False Front	Dark gray; P models; Models starting 10/1/14; 72 inches
	70000503LG	False Front	Light gray; U models; 72 inches
	70000501*P	False Front	P models through 9/30/14; All other models except B, I and P models; 72 inches
	70000502	False Front	P models through 9/30/14; All other models through 3/31/15; 72 inches; Stainless steel
	70000504	False Front	Models starting 4/1/15; 72 inches; Stainless steel
	70024203DG	False Front	Dark gray; P models; Models starting 10/1/14; 76 inches
	70024203LG	False Front	Light gray; U models; 76 inches
	70024201*P	False Front Assembly	P models through 9/30/14; All other models except B, I and P models; 76 inches
	70024202P	False Front	P models through 9/30/14; All other models through 3/31/15; 76 inches; Stainless steel
	70024204	False Front	Models starting 4/1/15; 76 inches; Stainless steel

\* Add Letter To Designate Color. L - Almond Q - Bisque W - White

# Cabinet Front Components

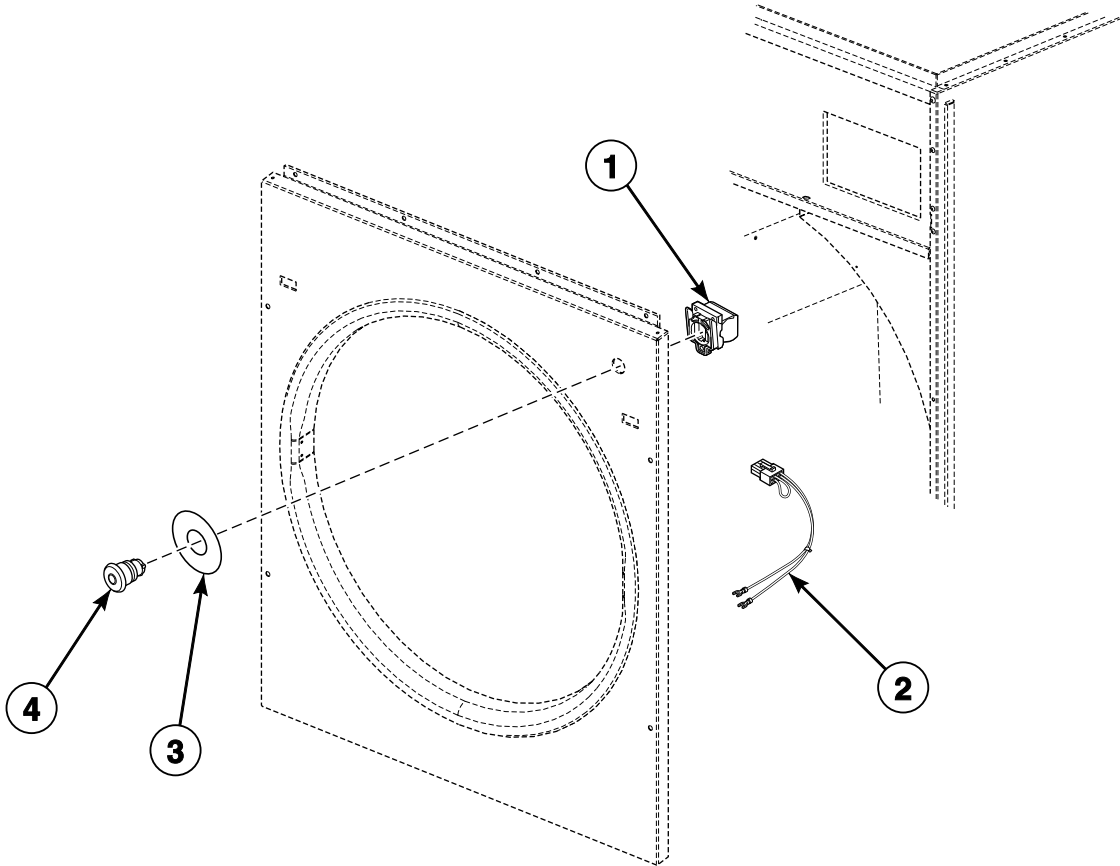


TMB3316P\_70409401

# Cabinet Front Components

REF	PART NO.	DESCRIPTION	COMMENTS
1	70364104P	Coin Vault Switch Harness	
2	44088801	Nut	
3	70296401	Coin Chute Assembly	
4	70413301	Pushbutton Switch	
5	56079	Panel Locator	9 required
6	44016301	Control Trim	H models; Gray
	44016401	Control Trim	K, L, M, N, P, S and Y models; U models through 8/17/14; Black
7	39733	Screw	
8	70180101	Coin Vault Assembly	
	F160673P	Coin Box	Optional equipment; Includes lock and key
9	M400972	Shadow Box Clip	
10	70117502	Coin Vault Trim	Black
	70117501	Coin Vault Trim	Gray
11	70030501	Expansion Clip	8 required; Use with item 7, between front panel and cabinet
12	430497	Screw	
13	70342401	Lock Shim	
14	70155602	Key	RL002
15	44089302P	Lock, Key and Nut Kit	RL002
16	44166601	Pop Rivet	
17	M401223	Door Latch	
18	44057801W	Switch Hole Plug	White
	44057801Q	Switch Hole Plug	Bisque
	44057801G	Switch Hole Plug	Gray; U models starting 8/18/14; L and P models starting 10/24/14
19	70399405	Access Panel Trim	G and K models
20	70155601	Key	RL001
21	70115601	Nameplate Overlay	S models
	70460801	Nameplate Overlay	U models; Models through 8/17/14
	F8443102	Nameplate	U models; Models starting 8/18/14
	44046801	Nameplate	B and I models through 7/9/12
	B12389801	Nameplate	B and I models starting 7/10/12
	44062901	Nameplate	C models
	70411401	Nameplate Overlay	G models; Coin
	70410201	Nameplate Overlay	G models; OPL
	44144401	Nameplate Overlay	K models; Coin
	44130101	Nameplate Overlay	K models; OPL
	70243901	Nameplate	L models through 3/27/15
	70522001	Nameplate	L models starting 3/28/15
	70380701	Nameplate Overlay	P models through 9/30/14
	70509601	Nameplate	P models starting 10/1/14
44104501	Nameplate Overlay	Y models	
22	70117401	Nameplate Bezel	L, P and S models
23	44129901	Nameplate	C models
24	44089301P	Lock, Key and Nut Kit	RL001
25	M400977	Nut	P and S models 6 required; U models starting 8/18/14 5 required

# Emergency Stop Button for CE Models



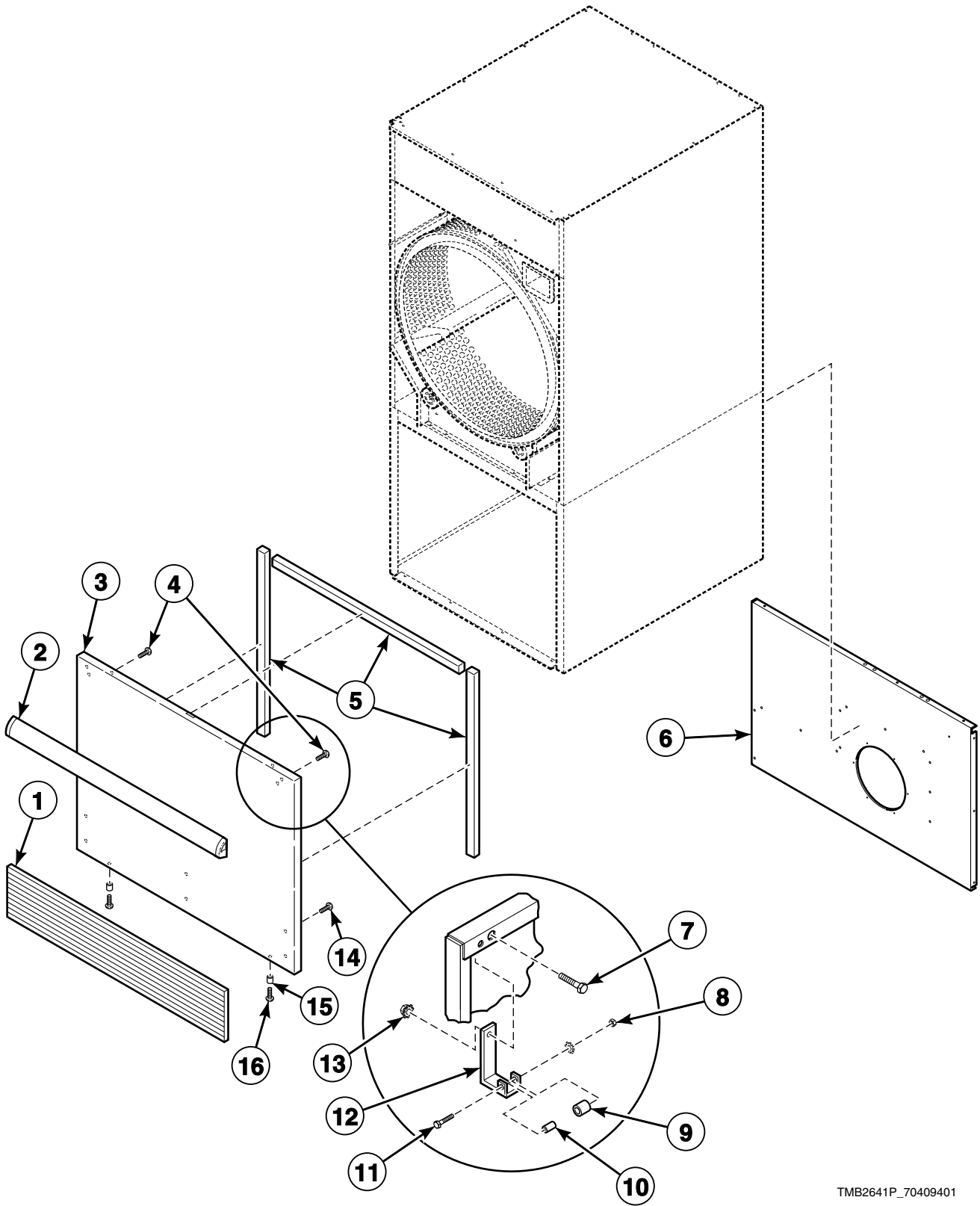
TMB2375P\_70409401



## Emergency Stop Button for CE Models

REF	PART NO.	DESCRIPTION	COMMENTS
1	44018701	Contact Block	Includes base; Models through 9/30/07
	F200233401P	Contact Block Switch	Models starting 10/1/07 through 8/17/14; Includes mounting base
	F8538101	Contact Base	Models starting 8/18/14
	F8069501	Contact Switch	Models starting 8/18/14
2	70364105P	Emergency Stop Contact Harness	1 contact
	70364106P	Emergency Stop Harness	2 contacts
3	44012901	Emergency Stop Label	
4	44018801	Pushbutton	Models through 9/30/07
	F200233500	Emergency Stop Pushbutton	Models starting 10/1/07

# Lower Cabinet Components



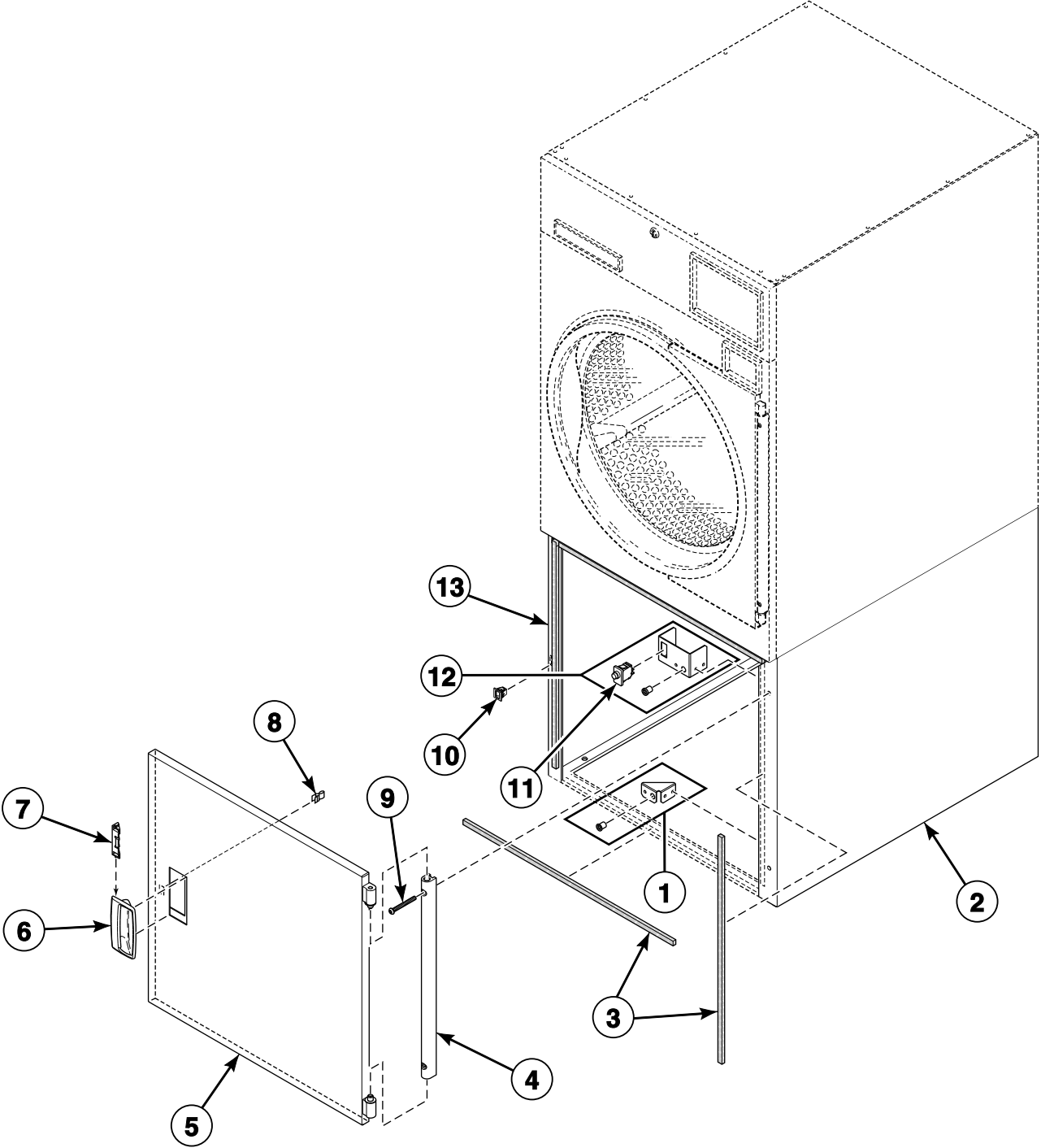
TMB2641P\_70409401

## Lower Cabinet Components

REF	PART NO.	DESCRIPTION	COMMENTS
1	70117602	Kickplate	H and U models; Dark gray
	70117601	Kickplate	All other models except H models; Black
2	70154401	Handle and Caps Assembly	B, C, I, M, N, S and U models; P models through 9/30/14; P models starting 7/1/17 with white front panel; Black
	70407207	Handle Bumper	P models starting 10/1/14
	70154402	Handle and Caps Assembly	H and U models; Dark gray
	70407205	Handle Bumper	G and K models
	70176601*P	Lint Panel Assembly	B, C, G, I, K, M, N, S, U and Y models; P models through 9/30/14 and starting again 7/1/17; L models through 1/28/15; Includes items 2, 9 and 11
	70176602P	Lint Panel Assembly	B, C, G, I, K, M, S, U and Y models through 3/31/15; P models through 9/30/14; L models through 1/28/15; Coin; Stainless steel
	70114906	Lint Panel	B, G, H, I, K, M, S, U and Y models starting 4/1/15; Stainless steel
	70114903LG	Lint Panel	U models; Light gray
	70176604	Lint Panel Assembly	B, C, G, I, K, M, S, U and Y models through 3/31/15; P models through 9/30/14; L models through 1/28/15; OPL; Stainless steel
	70114904DG	Lint Panel	P models starting 10/1/14; L models starting 1/29/15; Dark gray; No kickplate
	70114905	Lint Panel	P models starting 10/1/14 through 3/31/15; L models starting 1/29/15 through 3/31/15; Stainless steel; No kickplate
	70114907	Lint Panel	L and P models starting 4/1/15; Stainless steel; No kickplate
	70176605*	Lint Panel Assembly	H models; Coin; Includes items 2, 9 and 11
	70176606	Lint Panel Assembly	H models through 3/31/15; Coin; Stainless steel
	70176607*	Lint Panel Assembly	G models; Coin
	70176608	Lint Panel Assembly	G models; Coin; Stainless steel
	70176609*	Lint Panel Assembly	H models; OPL
	70176610	Lint Panel Assembly	H models through 3/31/15; OPL; Stainless steel
	70176611*	Lint Panel Assembly	G models; OPL
	70176612	Lint Panel Assembly	G models; OPL; Stainless steel
4	430757	Screw	For attaching handle; 6 required
5	70289101P	Lint Panel Gasket	Sold per foot
6	70320001	Rear Lint Panel	
7	70132301	Screw	Attaching roller catch
8	23951	Nut	
9	70297601	Roller Catch Wheel	
10	70030201	Roller Catch Spacer	
11	70072801	Screw	
12	70030301	Roller Catch Arm	
13	51236	Nut	Attaching roller catch
14	70126301	Pop Rivet	For attaching kickplate; Black; 6 required
	70126401	Pop Rivet	For attaching kickplate; Gray; 6 required
15	56079	Panel Locator	
16	39733	Screw	

\* Add Letter To Designate Color. L - Almond Q - Bisque W - White

# Lower Cabinet Components - S Models with Hinged Lint Door



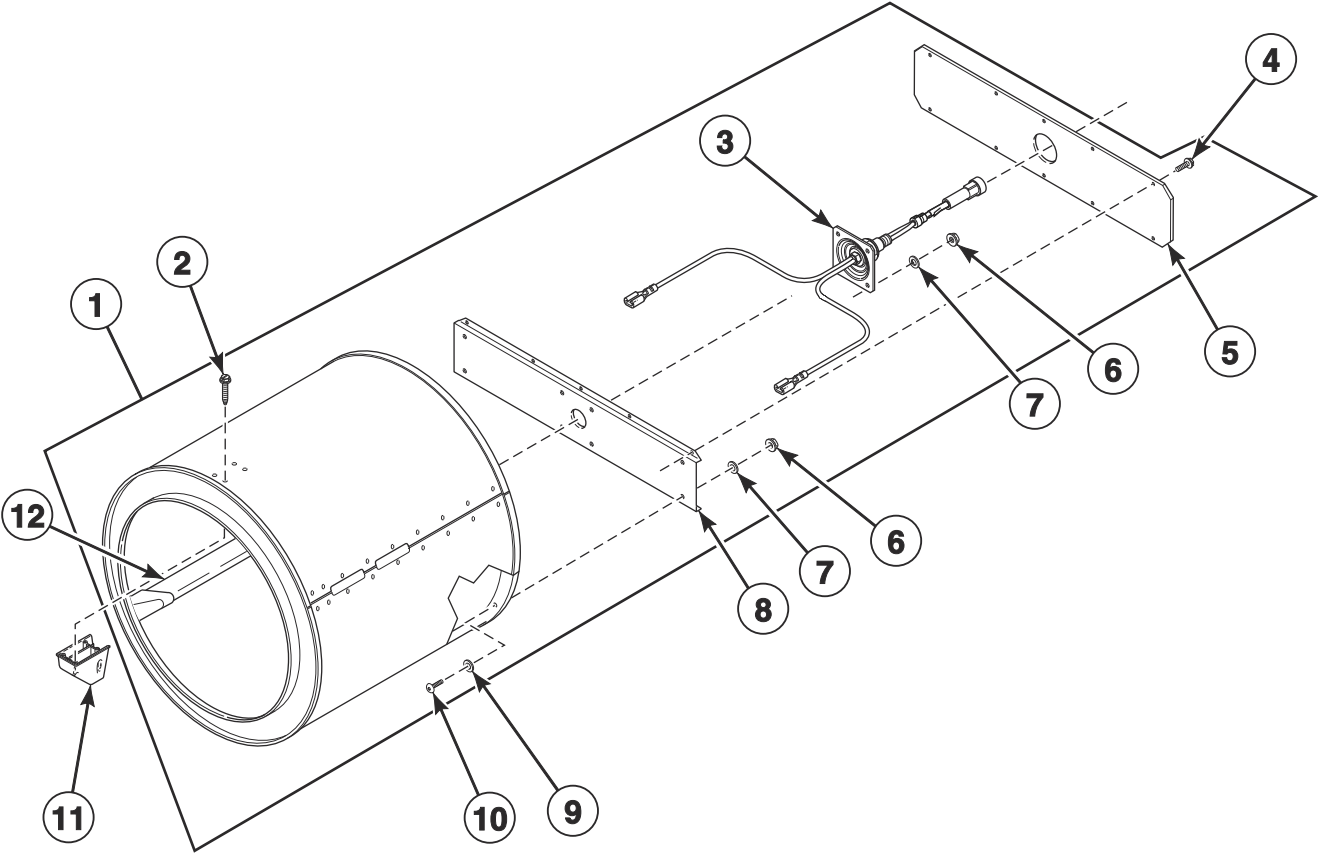
TMB1836B\_70409401

## Lower Cabinet Components - S Models with Hinged Lint Door

REF	PART NO.	DESCRIPTION	COMMENTS
1	70283801	Support Bracket Assembly	
2	70278001*P	Panel	Right
3	70247601	Gasket	8 required; Felt
4	44035001	Door Hinge Lug Assembly	
5	70267701*P	Hinged Door	
6	D510103LP	Door Pull and Wedge Kit	
	D510103QP	Door Pull and Wedge Kit	
	D510103WP	Door Pull and Wedge Kit	
7	D510129	Door Handle Wedge	
8	D510181	Door Strike	
9	70033504	Screw	2 required
10	D510177	Door Catch Assembly	
11	70413401	Switch Assembly	
12	70283701	Lint Switch Bracket Assembly	
13	70255801*P	Panel	Left

\* Add Letter To Designate Color. L - Almond Q - Bisque W - White

# Cylinder and Trunnion Assembly

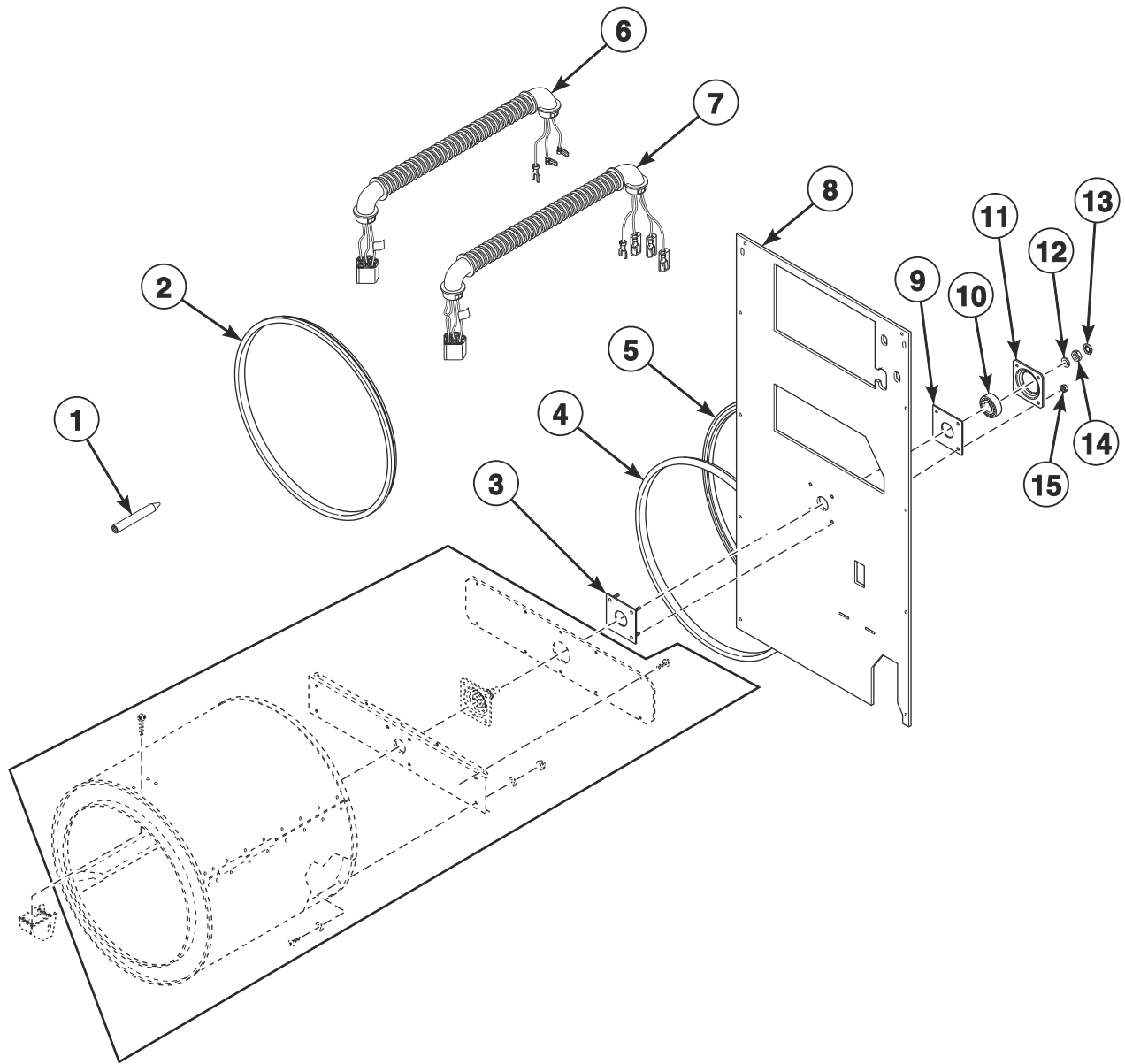


TMB3358P\_70409401

## Cylinder and Trunnion Assembly

REF	PART NO.	DESCRIPTION	COMMENTS
	70343101P	Drywall Screw Magnet Kit	
1	70372803	Cylinder Assembly	G and K models; Non-moisture sensing
	70443703	Cylinder and Trunnion Assembly	G and K models; Moisture sensing
	70372801P	Cylinder Assembly	All other models; Galvanized; Non-moisture sensing
	70443701	Cylinder and Trunnion Assembly	All other models; Galvanized; Moisture sensing
	70372802P	Cylinder Assembly	All other models; Stainless steel; Non-moisture sensing
	70443702	Cylinder and Trunnion Assembly	All other models; Stainless steel; Moisture sensing
2	62588	Screw	12 required
3	70564801	Trunnion and Seal Kit	Includes 70013702 Rear Cylinder Seal; Non-moisture sensing
	70564802	Trunnion and Seal Kit	Moisture sensing; Includes 70454601 Trunnion and Wire Assembly
4	430497	Screw	10 required
5	70257401	Rear Cylinder Channel Plate	
6	44087201	Nut	8 required
7	M400080	Washer	4 required; Models through Serial No. 0708006765
	70411301	Washer	Models starting Serial No. 0708006766
8	70257301	Rear Cylinder Channel	Non-moisture sensing
	70257302	Rear Cylinder Channel	Moisture sensing
9	70411301	Washer	Models starting Serial No. 0708006766
10	70391101	Screw	8 required
11	70070101	End Cap	Non-moisture sensing
	70070102	End Cap	Moisture sensing
12	70433003	Cylinder Rib Assembly	Moisture sensing

# Cylinder Components



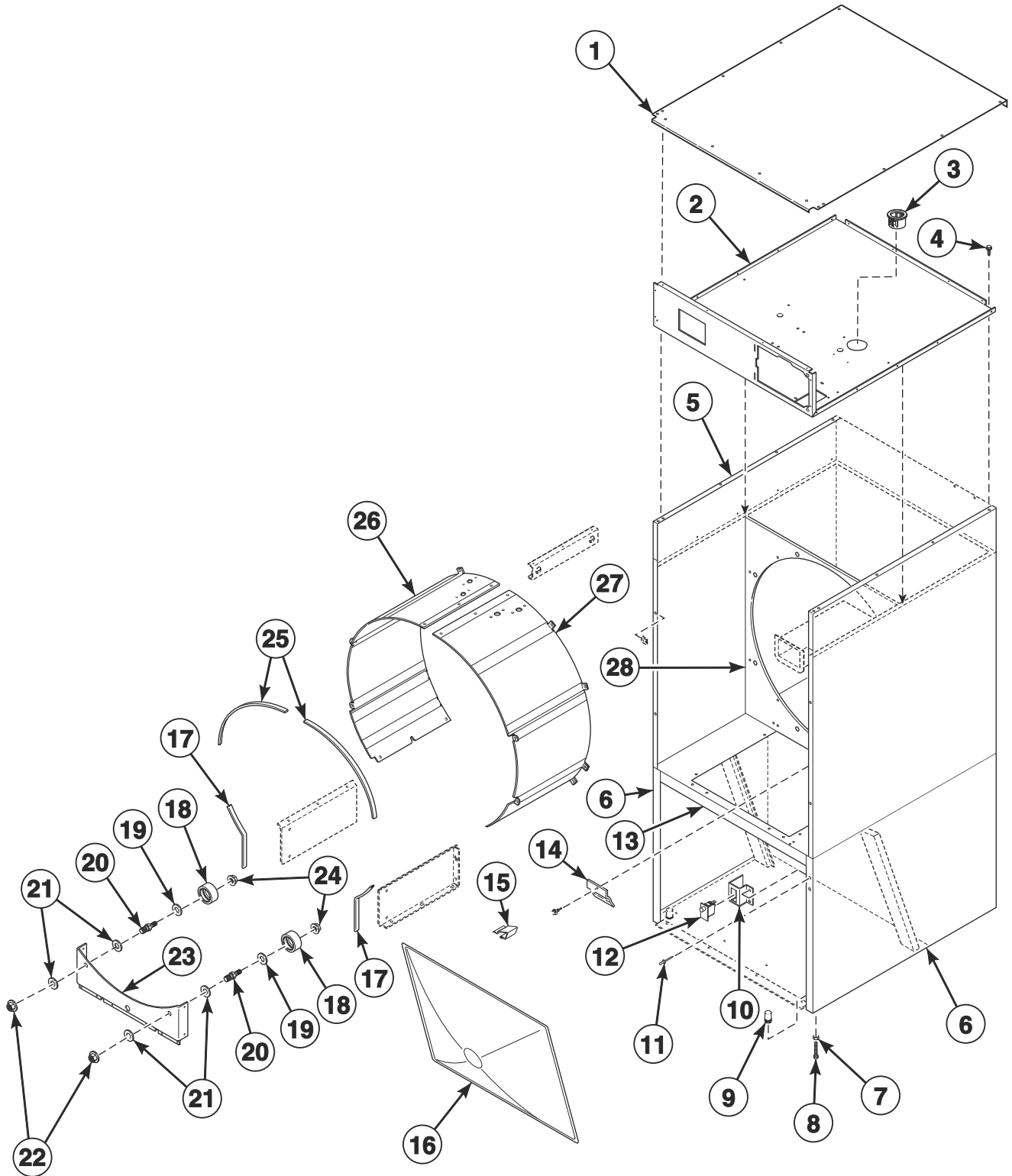
TMB2908PA\_70409401



# Cylinder Components

REF	PART NO.	DESCRIPTION	COMMENTS
	70343101P	Drywall Screw Magnet Kit	
	430260P	Support Housing Bearing Assembly	Includes items 10, 11 and Loctite
<b>1</b>	263P4	Cylinder Guide Tool	
<b>2</b>	70066004	Center Cylinder Seal Assembly	
<b>3</b>	430352	Cylinder Bearing Stud Plate Assembly	
<b>4</b>	70013702	Rear Cylinder Seal	Use with 511637 Adhesive
<b>5</b>	70506401	Rear Cylinder Seal Support	
<b>6</b>	70401001	Cylinder Motor Harness Assembly	Models through 2/28/10; 1 Phase; 3 Phase electric models with 240 Volt and below
	70439701	Cylinder Motor Harness Assembly	Models starting 3/1/10; 1 Phase; 3 Phase electric models with 240 Volt and below
<b>7</b>	70401101	Cylinder Motor Harness Assembly	Models through 2/28/10; 3 Phase except electric models with 240 Volt and below
	70440101	Cylinder Motor Harness Assembly	Models starting 3/1/10; 3 Phase except electric models with 240 Volt and below
	70465801	Cylinder Motor Harness Assembly	Reversing models
<b>8</b>	70356701	Upper Rear Panel	Gas models; Nonreversing
	70356703	Upper Rear Panel	Gas models; Reversing
	70356702	Upper Rear Panel	Electric and steam models; Nonreversing
	70356704	Upper Rear Panel	Electric and steam models; Reversing
<b>9</b>	70355001	Rear Bearing Shim	
<b>10</b>	70448701	Support Bearing	
<b>11</b>	70013901	Rear Cylinder Bearing Housing	
<b>12</b>	M400991	Washer	
<b>13</b>	M400034	Nut	
<b>14</b>	M400022	Nut	
<b>15</b>	M412986	Nut	4 required

# Cabinet Components



TMB3292P\_70409401

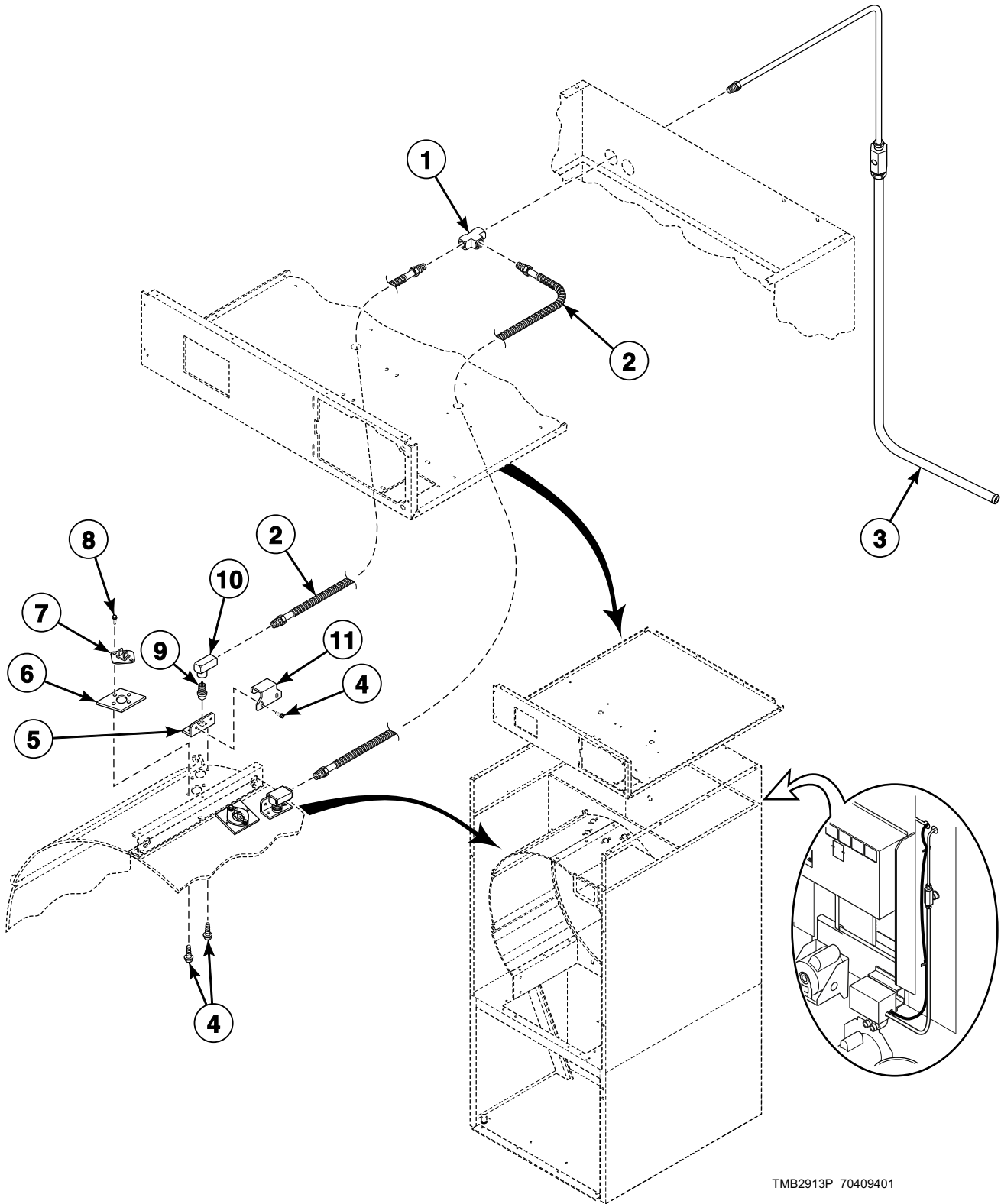
# Cabinet Components

REF	PART NO.	DESCRIPTION	COMMENTS
	M4379P4	Tumbler Dolly Kit	
	298P4P	Spray Paint	White
	381P4	Spray Paint	Bisque
	382P4	Spray Paint	Cream
	286P4	Spray Paint	Blue
	286P4	Spray Paint	Blue
	122P4P	Porcelain Touch-Up Paint	White
	215P4P	Porcelain Touch-Up Paint	Almond
	370P4P	Porcelain Touch-Up Paint	Bisque
<b>1</b>	70059801	Flat Top	
<b>2</b>	70253001	Top Pan	
<b>3</b>	70346501	Bushing	
<b>4</b>	430497	Screw	
<b>5</b>	70060102DG	Side Panel	Dark gray; P models starting 10/1/14; Upper
	70060102LG	Side Panel	Light gray; U models; Upper
	70060102*P	Side Panel	P models through 9/30/14; All other models; Upper
<b>6</b>	70253901DG	Side Panel	Dark gray; P models starting 10/1/14; Lower
	70253901LG	Side Panel	Light gray; U models; Lower
	70253901*P	Side Panel	P models through 9/30/14; All other models; Lower
<b>7</b>	21899	Nut	
<b>8</b>	34319	Leveling Leg	
<b>9</b>	70063201	Hole Plug	
<b>10</b>	70277301	Lint Panel Switch Bracket	
<b>11</b>	70058501	Pop Rivet	16 required; Upper side panel
<b>12</b>	70413401	Switch Assembly	
<b>13</b>	70252401	Center Pan	
<b>14</b>	70054501	Lint Screen Clip	
<b>15</b>	35865	Hold-Down Clip	
<b>16</b>	70325601	Lint Screen	
<b>17</b>	70015709	Sheet Metal Edge Gasket	Lower
<b>18</b>	70568201	Roller and Seal Kit	
<b>19</b>	70443601	Roller Seal	Models starting 3/1/10
<b>20</b>	70249501	Roller Shaft	
<b>21</b>	70261401	Washer	
<b>22</b>	M404993	Nut	
<b>23</b>	70328301	Roller Support Bracket	
<b>24</b>	430576	Nut	
<b>25</b>	70015710	Sheet Metal Edge Gasket	Upper
<b>26</b>	70427202	Cylinder Shroud	Left
<b>27</b>	70427201	Cylinder Shroud	Right
<b>28</b>	70252601	Center Partition	

\* Add Letter To Designate Color. L - Almond Q - Bisque W - White

# Fire Suppression System Components

B, C, G, H, I, K, L, M, P, S, and U Gas and Steam Models



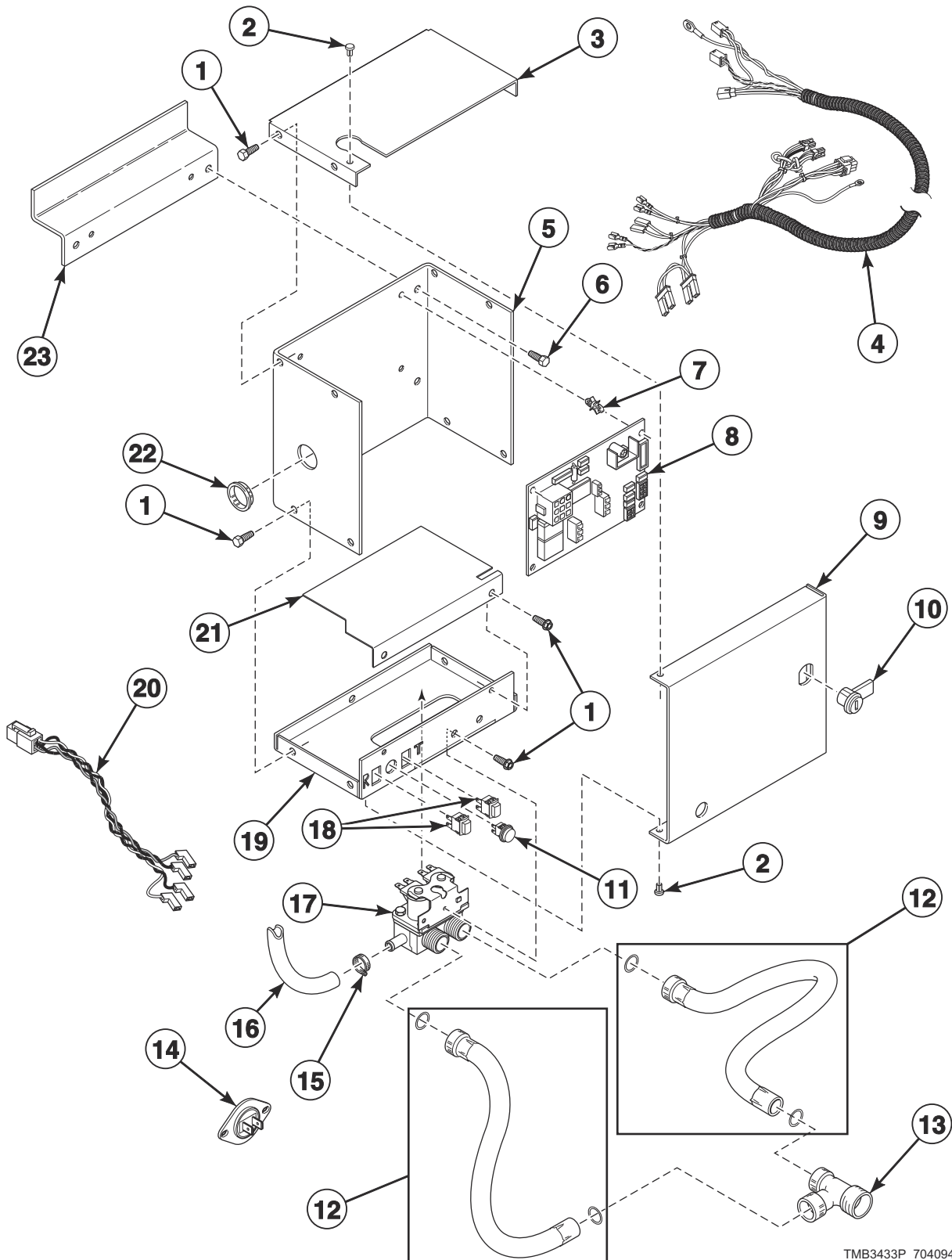
TMB2913P\_70409401

## Fire Suppression System Components

REF	PART NO.	DESCRIPTION	COMMENTS
1	70427901	Union Tee	
2	70427701	Spray Nozzle Hose	2 required
3	70427601	Tube Assembly	
4	430497	Screw	12 required
5	70424201	Nozzle Bracket	2 required
6	70424401	Thermistor Plate	2 required
7	44064701	Thermistor	2 required
8	51780	Screw	4 required
9	70427801	Spray Nozzle	2 required
10	70428101	Elbow	2 required
11	70428601	Nozzle Bracket	2 required

# Fire Suppression System Control Box

B, C, G, H, I, K, L, M, P, S, and U Gas and Steam Models

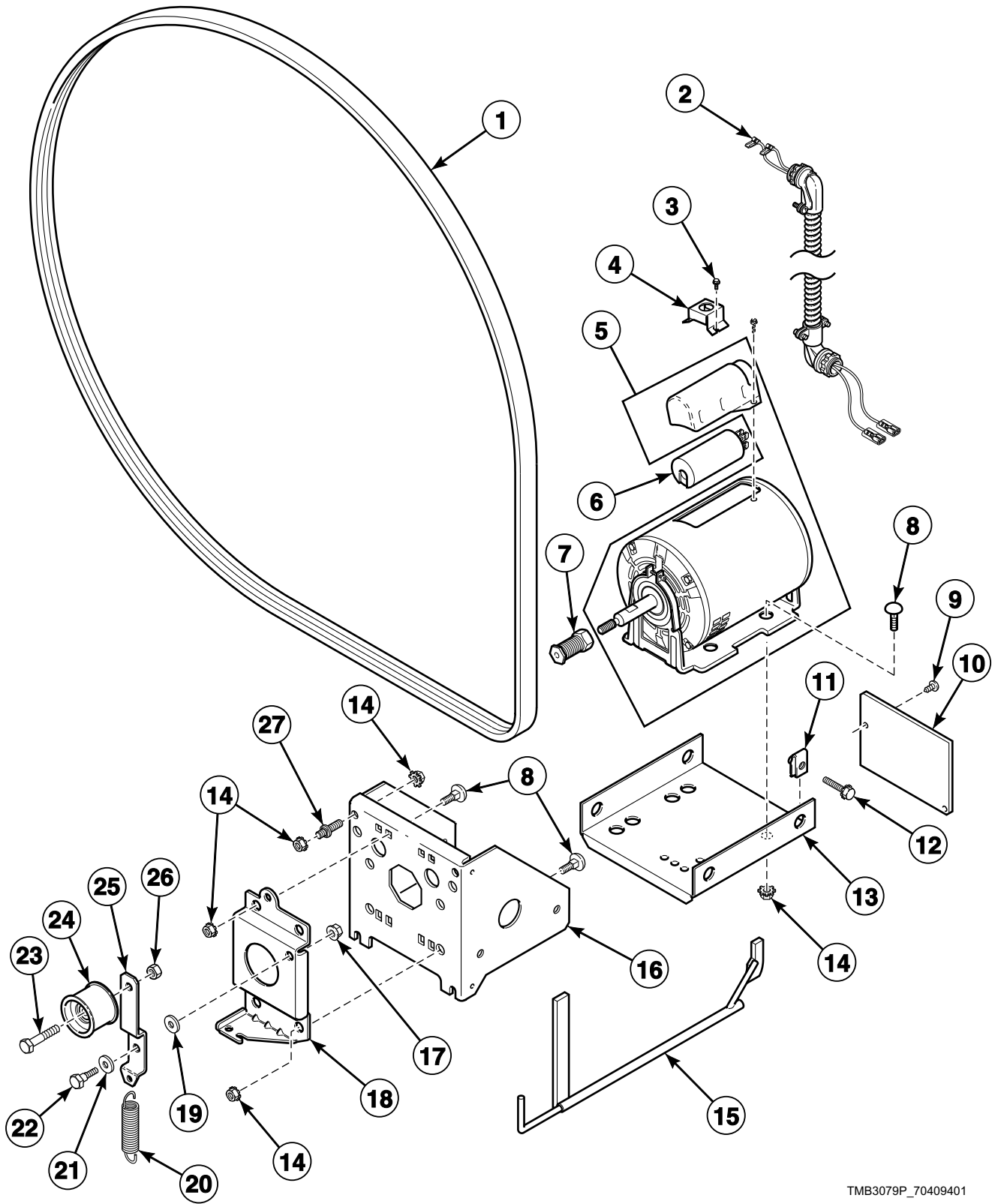


TMB3433P\_70409401

## Fire Suppression System Control Box

REF	PART NO.	DESCRIPTION	COMMENTS
1	430497	Screw	
2	M400713	Drive Rivet	
3	44065401	Control Box Top	
4	70426501P	Control Harness	
5	44065101	Control Box Housing	
6	51780	Screw	
7	D501523	Circuit Board Support	4 required
8	44063801P	Control	
9	44065201	Control Box Cover	
10	44089301P	Lock, Key and Nut Kit	RL001 key code; Optional if same key is to be used for control lock
11	801432	Light	
12	F200116	Water Hose	2 required; Non-CE and non-Australian models
	38349P	Fill Hose Kit	CE and Australian models
13	44069101	Hose Fitting	Non-CE and non-Australian models
14	44064701	Thermistor	2 required
15	36801	Hose Clamp	
16	44073304	Hose	14 inches; Outlet hose
17	36958P	Mixing Valve	
18	801434W	Push-to-Start Switch	2 required
19	44065301	Control Box Base	
20	70426601P	Sensor Harness	
21	44065701	Mixing Valve Shield Bracket	
22	70178701	Snap Bushing	
23	44065901	Bracket	

# Drive Motor Components for Nonreversing Models



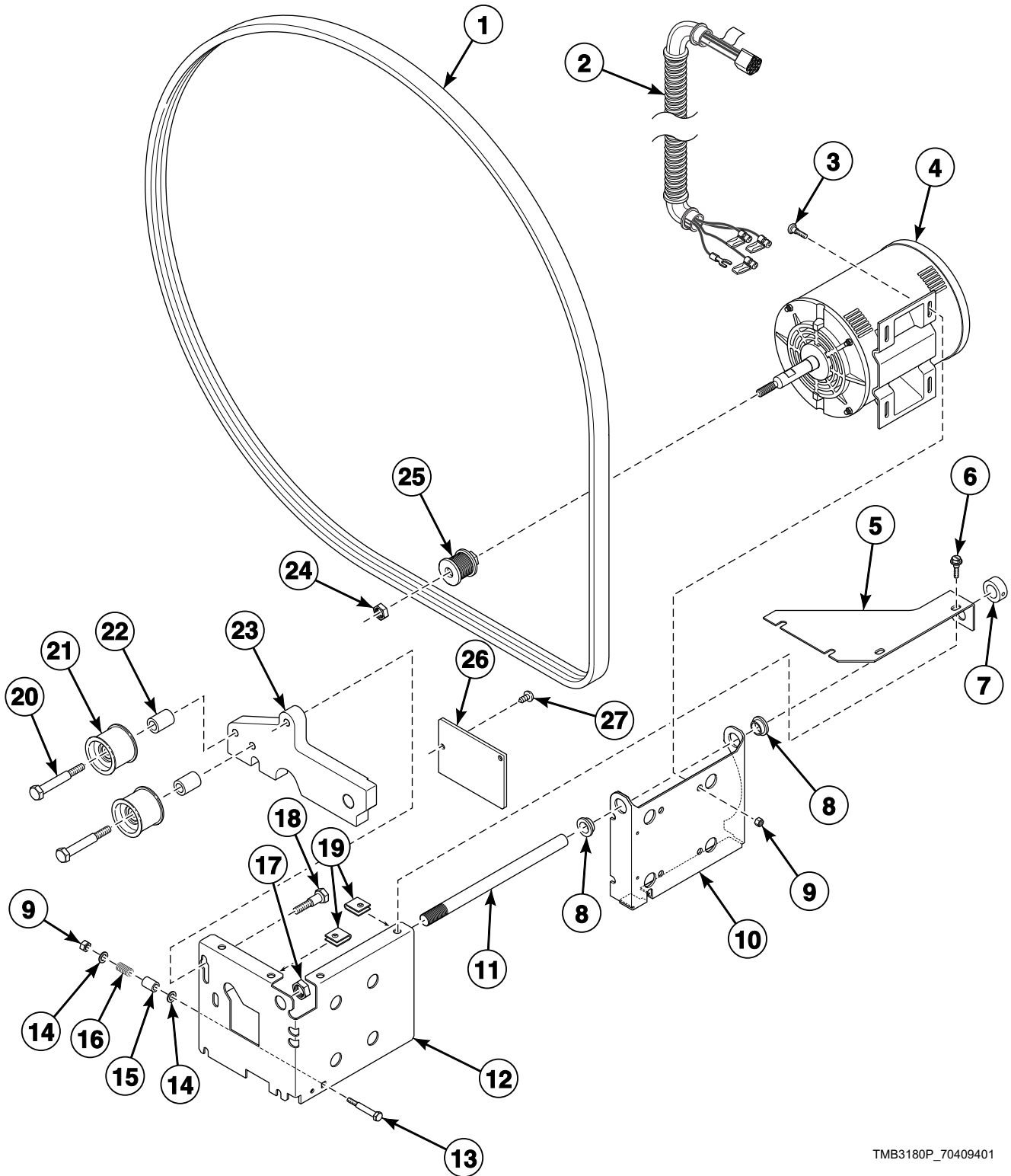
TMB3079P\_70409401



## Drive Motor Components for Nonreversing Models

REF	PART NO.	DESCRIPTION	COMMENTS
1	70276205P	Belt	95.11 inches
2	70401001	Cylinder Motor Harness Assembly	Models through 2/28/10; 1 Phase; 3 Phase electric models with 240 Volt and below
	70401101	Cylinder Motor Harness Assembly	Models through 2/28/10; 3 Phase except electric models with 240 Volt and below
	70439701	Cylinder Motor Harness Assembly	Models starting 3/1/10; 1 Phase; 3 Phase electric models with 240 Volt and below
	70440101	Cylinder Motor Harness Assembly	Models starting 3/1/10; 3 Phase except electric models with 240 Volt and below
3	23222	Screw	2 required
4	70321701	Motor Conduit Mounting Bracket	
5	70337801P	Drive Motor	100 or 100-200 Volt/50 Hertz/1 Phase and 100 or 100-200 or 120 or 208-240 Volt/60 Hertz/1 Phase; Electric models, 200 volt/50 Hertz/1 Phase, 200 or 208 or 240 Volt/60 Hertz/1 Phase, 200 Volt/50 Hertz/3 Phase, 200-208 or 240 Volt/60 Hertz/3 Phase
	70337901P	Drive Motor Kit	120 or 208-240 Volt/60 Hertz/1 Phase; Low Amp
	70338001P	Drive Motor Kit	230 or 230-240 Volt/50 Hertz/1 Phase; Electric models, 230 or 230-240 Volt/50 Hertz/3 Phase
	70338101P	Drive Motor	200 or 230, 230-240, 380, 400, 400-415 Volt/50 Hertz/3 Phase; 200-208 or 240, 380, 440, 460-480 Volt/60 Hertz/3 Phase
6	M410296	Motor Capacitor	Start; For 70337801P Drive Motor and 70338001P Drive Motor Kit
	70211502	Motor Capacitor	Start; For 70337901 Drive Motor on 20 Amp models
	70211401	Motor Capacitor	Run; For 70337901 Drive Motor on 20 Amp models
7	70284202	Motor Pulley	60 Hertz
	70284204	Motor Pulley	50 Hertz
8	70062401	Bolt	
9	430497	Screw	
10	70202501	Drive Access Cover	
11	27222	Nut	4 required
12	M412985	Screw	
13	70127301	Motor Mount Bracket	
14	M412986	Nut	
15	M4853P3	Belt Tension Tool Kit	
16	70261701	Motor Channel	
17	29796	Nut	
18	70443301	Idler Bracket	
19	70270301	Washer	
20	70045301	Drum Idler Spring	With silencer
21	70265901	Washer	
22	M400056	Screw	
23	430648	Screw	
24	70050401P	Idler Wheel Assembly	
25	70259901	Cylinder Idler Arm	
26	56156	Nut	
27	70334701	Double Ended Stud	

# Drive Motor Components for Reversing Models

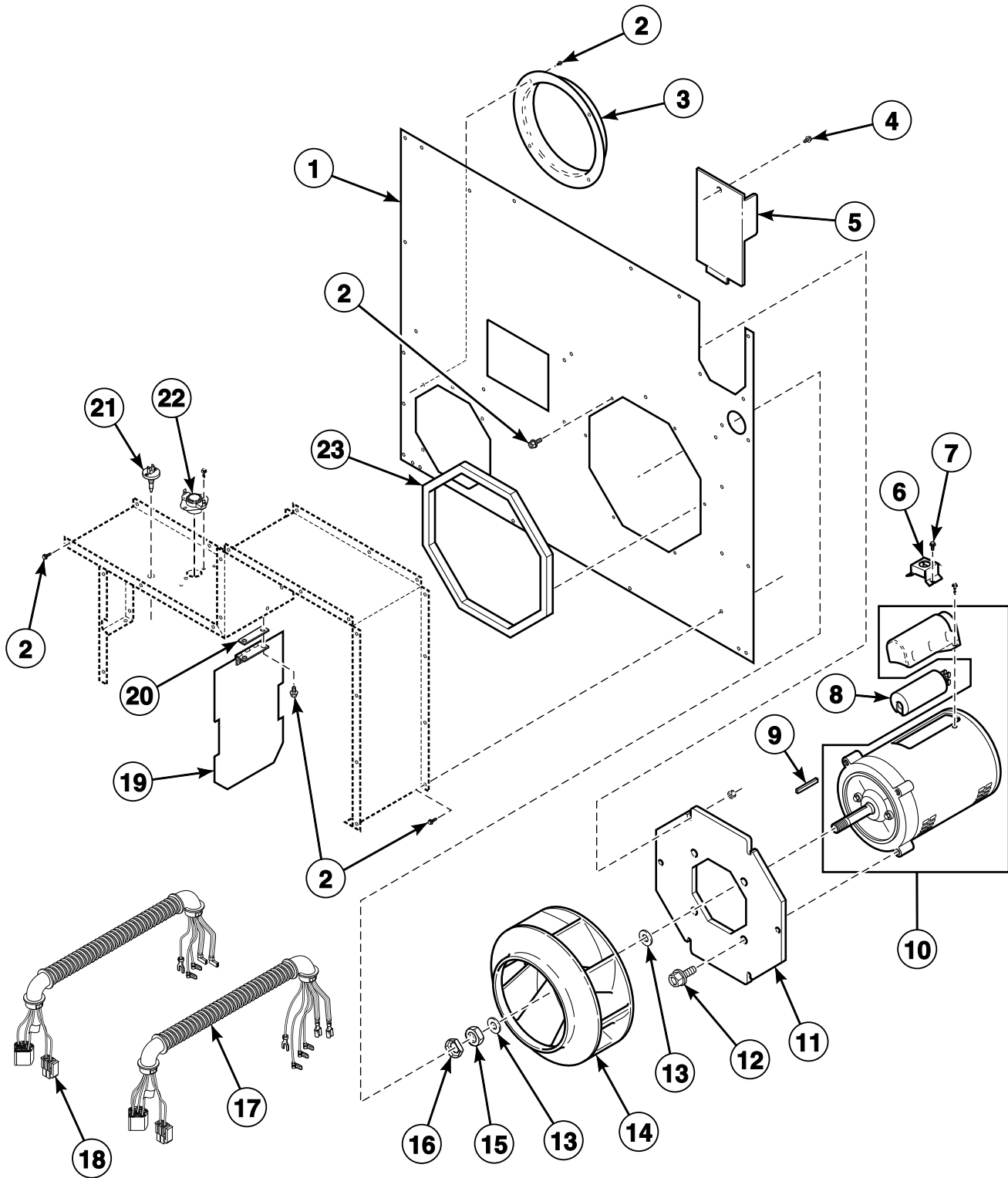


TMB3180P\_70409401

## Drive Motor Components for Reversing Models

REF	PART NO.	DESCRIPTION	COMMENTS
1	70276205P	Belt	
2	70465801	Cylinder Motor Harness Assembly	
3	70062401	Bolt	4 required
4	70459001P	Drive Motor	200-208 or 240, 440, 460-480 Volt/60 Hertz/3 Phase and 380, 400-415 Volt/50 Hertz/3 Phase
5	70464201	Motor Plate Cover	2 required
6	M400057	Screw	8 required
7	70467001	Shaft Collar	
8	44239501	Bushing	2 required
9	M412986	Nut	5 required
10	44261401	Drive Motor Plate	
11	70464401	Support Rod	
12	70464101	Motor Bracket	
13	70467501	Bolt	
14	M405535	Washer	2 required
15	70471701	Spacer	
16	70467601	Compression Spring	
17	F431025	Nut	
18	M400043	Screw	4 required
19	27222	Nut	4 required
20	F8368701	Screw	2 required
21	70050401P	Idler Wheel Assembly	2 required
22	70464601	Idler Spacer	2 required
23	70464501	Idler Holder	
24	70466601	Nut	
25	70457403	Motor Pulley	50 Hertz
	70457401	Motor Pulley	60 Hertz
26	70466001	Belt Access Cover	
27	430497	Screw	

# Blower Components



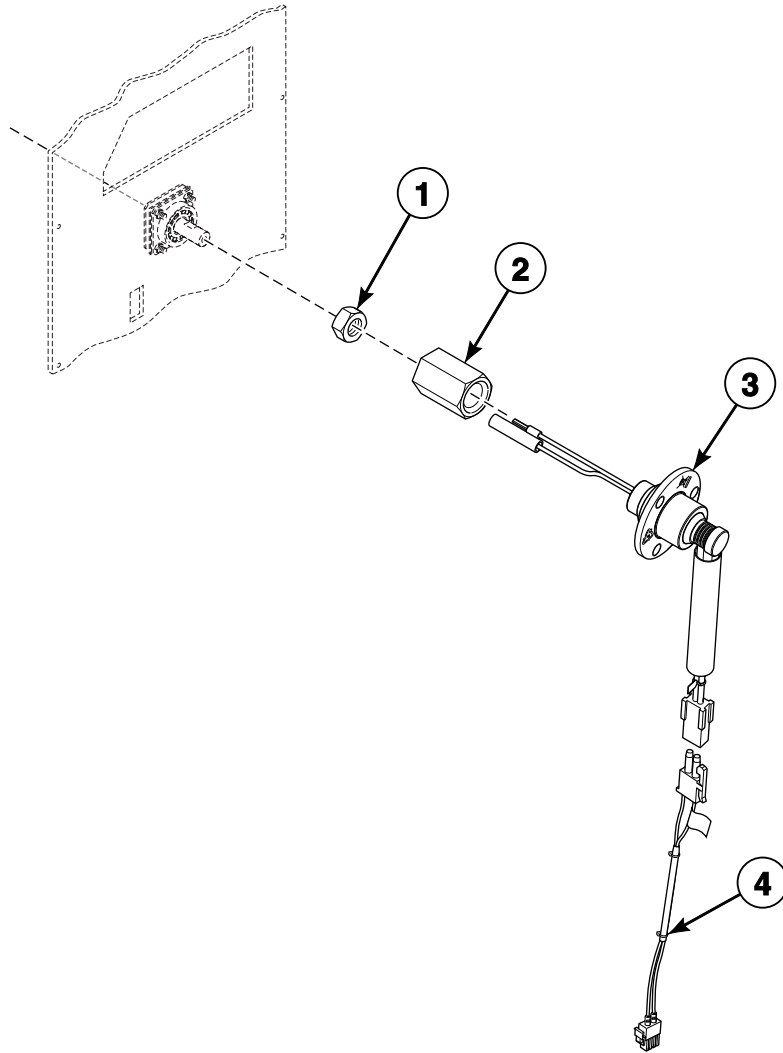
TMB2652P\_70409401

## Blower Components

REF	PART NO.	DESCRIPTION	COMMENTS
1	70290101	Lower Rear Panel	
2	430497	Screw	
3	70017801	Exhaust Thimble	6 inches; Classic models
	70478001	Exhaust Adapter	4 inches; Eco models
4	M411072	Screw	
5	70196301	Drive Access Cover	
6	70321701	Motor Conduit Mounting Bracket	
7	23222	Screw	2 required
8	70211501	Motor Capacitor	Start; For all blower motors except 70342601P Blower Motor
9	70144101	Key	
10	70337501P	Blower Motor	100 or 100-200 Volt/50 Hertz/1 Phase and 100 or 100-200 or 120 or 208-240 Volt/60 Hertz/1 Phase; Electric models, 200 volt/50 Hertz/1 Phase, 200 or 208 or 240 Volt/60 Hertz/1 Phase, 200 Volt/50 Hertz/3 Phase, 200-208 or 240 Volt/60 Hertz/3 Phase
	70337601P	Blower Motor Kit	120 or 208-240 Volt/60 Hertz/1 Phase; Low Amp
	70337701P	Blower Motor Kit	230 or 230-240 Volt/50 Hertz/1 Phase; Electric models, 230 or 230-240 Volt/50 Hertz/3 Phase
	70342601P	Blower Motor	200 or 230, 230-240, 380, 400, 400-415 Volt/50 Hertz/3 Phase; 200-208 or 240, 380, 440, 460-480 Volt/60 Hertz/3 Phase
11	70349601	Blower Motor Mounting Plate	
12	70126101	Screw	
13	M400991	Washer	
14	70359801P	Blower Assembly	
15	M400022	Nut	
16	M400034	Nut	
17	70401301	Fan Motor Harness Assembly	Models through 2/28/10; 3 Phase except electric models with 240 Volt and below
	70440201	Fan Motor Harness Assembly	Models starting 3/1/10; 3 Phase except electric models with 240 Volt and below
18	70401201	Fan Motor Harness Assembly	Models through 2/28/10; 1 Phase; 3 Phase electric models with 240 Volt and below
	70439801	Fan Motor Harness Assembly	Models starting 3/1/10; 1 Phase; 3 Phase electric models with 240 Volt and below
19	70209501	Damper and Hinge Exhaust Assembly	
20	N/A	Damper Spacer	
21	M414704	Thermistor	
22	M411945	Manual Reset Thermostat	Australian models
	M411307	Limit Thermostat	All other models
23	70392701P	Gasket	For blower housing opening

**N/A = Part no longer available**

# Moisture Sensing Components

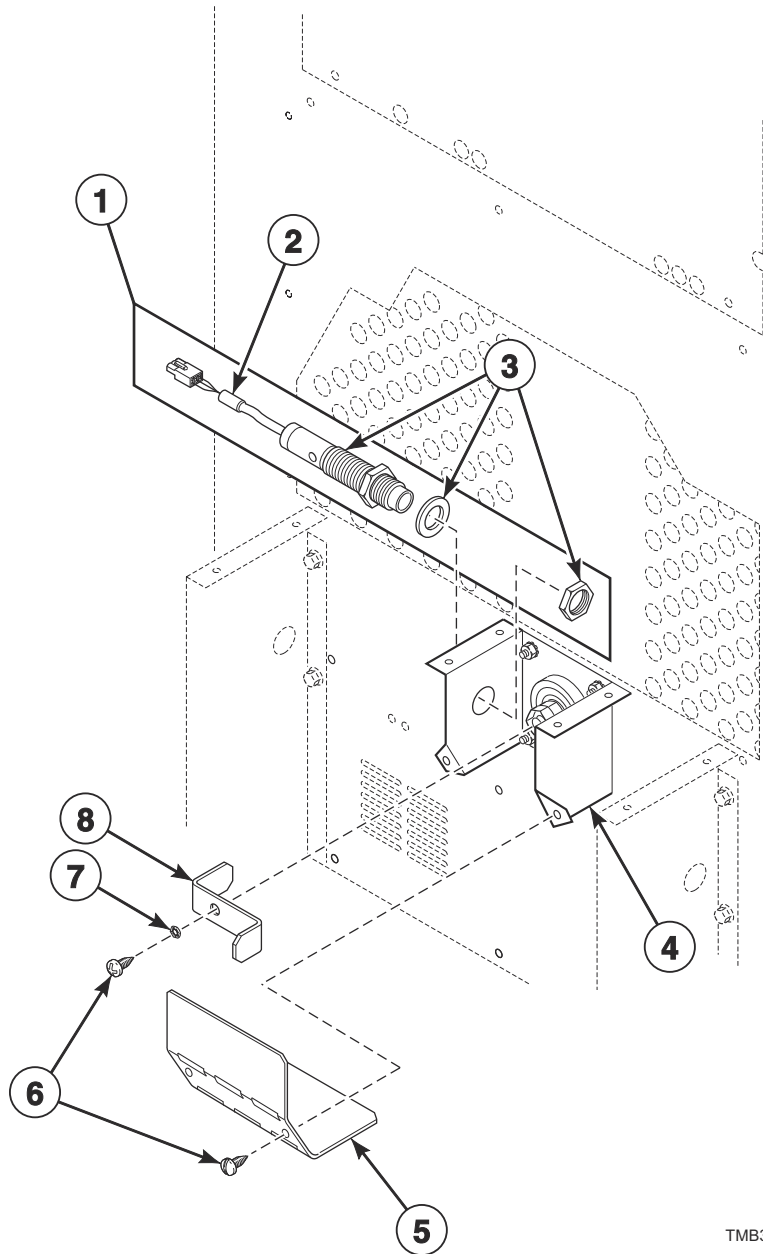


TMB3147P\_70409401

# Moisture Sensing Components

REF	PART NO.	DESCRIPTION	COMMENTS
	70468901	Moisture Sensor Test Wires	Use to troubleshoot the moisture sensor circuit
1	M400035	Nut	
2	70455401	Slip Ring Holder	
3	44222701	Slip Ring Assembly	
4	70448901	Moisture Sensor Harness Assembly	

# Rotation Sensor



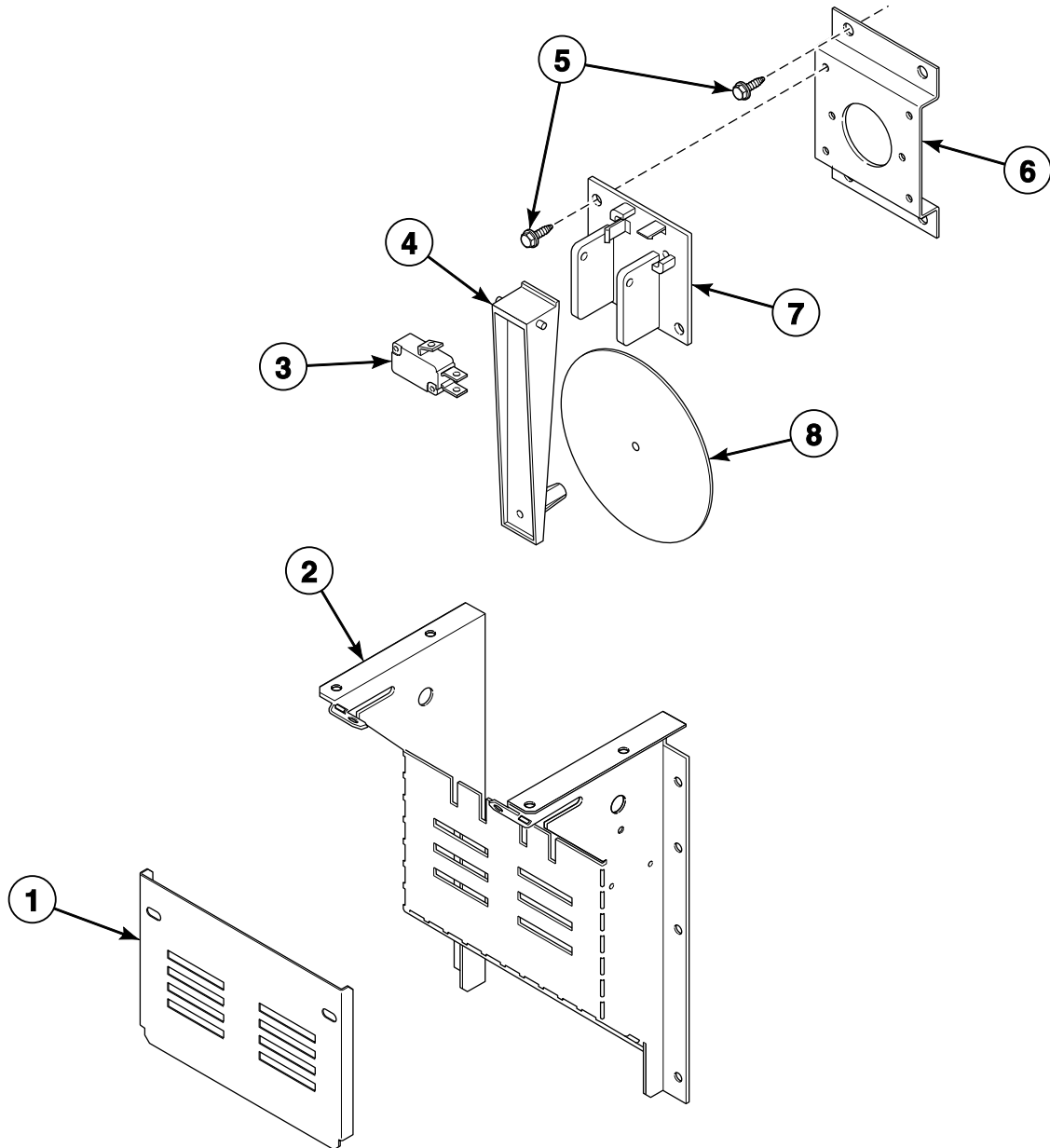
TMB3432P\_70409401



# Rotation Sensor

REF	PART NO.	DESCRIPTION	COMMENTS
1	7009P	Rotation Sensor Kit	Includes items 2, 3 and 7; Models with 3B, 3K, 3L, 3O, 3V, 3W, 3X, DO, DV, DX and R3 control suffixes
2	70476101	Rotation Sensor Harness	Models with 3B, 3K, 3L, 3O, 3V, 3W, 3X, DO, DV, DX and R3 control suffixes
	F8066401	Rotation Sensor Harness	Models with EO, RE, RU and UO control suffixes
3	F8066201	Rotation Sensor	
4	70021401	Bearing Housing Bracket	
5	44044301	Rotation Sensor Cover	
6	70153301	Screw	
7	M400034	Nut	
8	44044401	Rotation Sensor Bracket	

# Airflow Switch

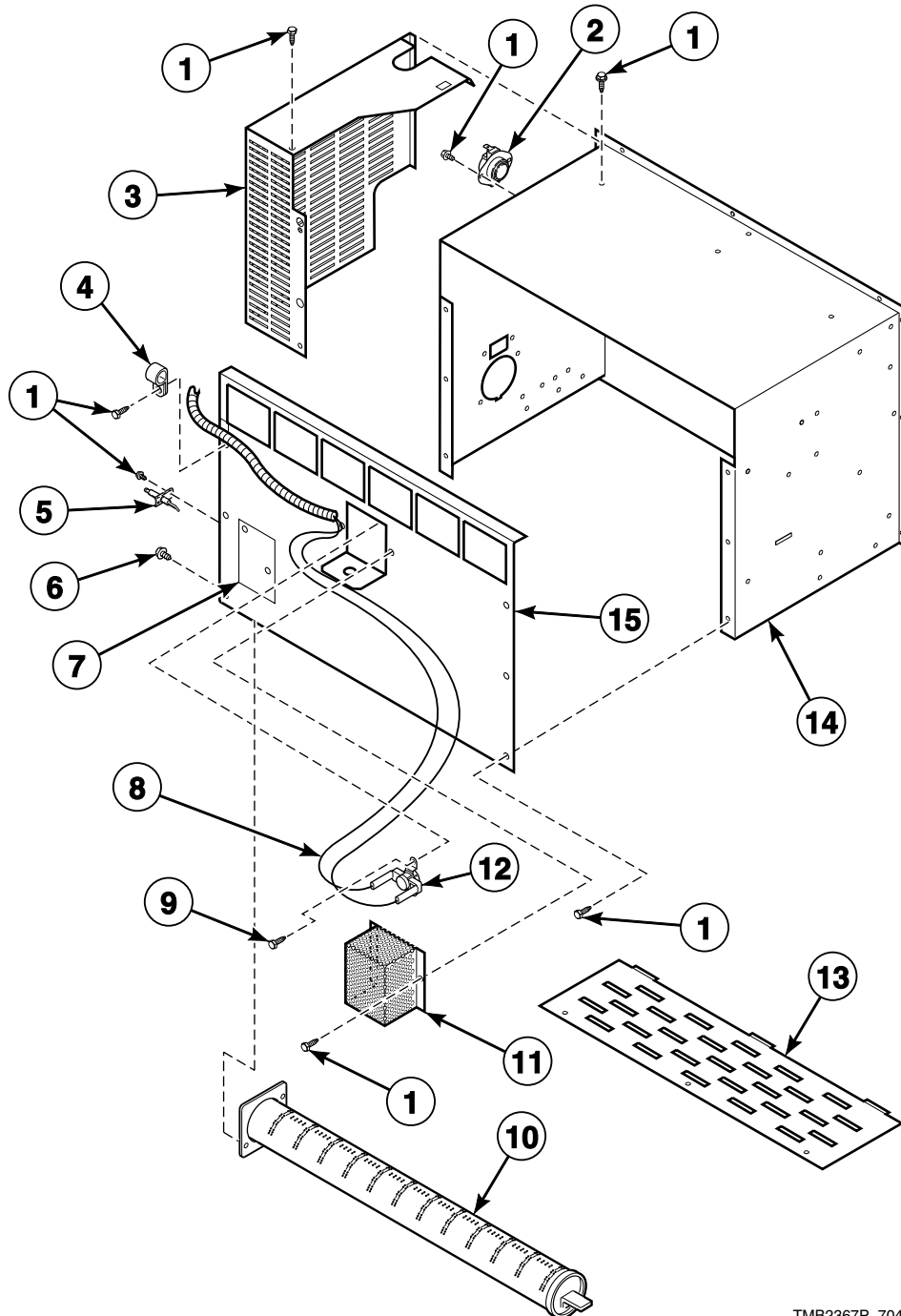


TMB3126P\_70409401

# Airflow Switch

REF	PART NO.	DESCRIPTION	COMMENTS
1	70356601	Airflow Switch Cover	Non-moisture sensing
	70465701	Airflow Switch Cover	Moisture sensing
2	70356101	Airflow Switch Wrapper	
3	70411901	Switch	
4	70319401	Airflow Switch Arm	
5	430497	Screw	
6	70356301	Switch Bracket	Classic models
7	70319601	Airflow Switch and Arm Bracket	
8	70319201	Airflow Switch Vane	

# Gas Burner Housing and Secondary Stove Limit

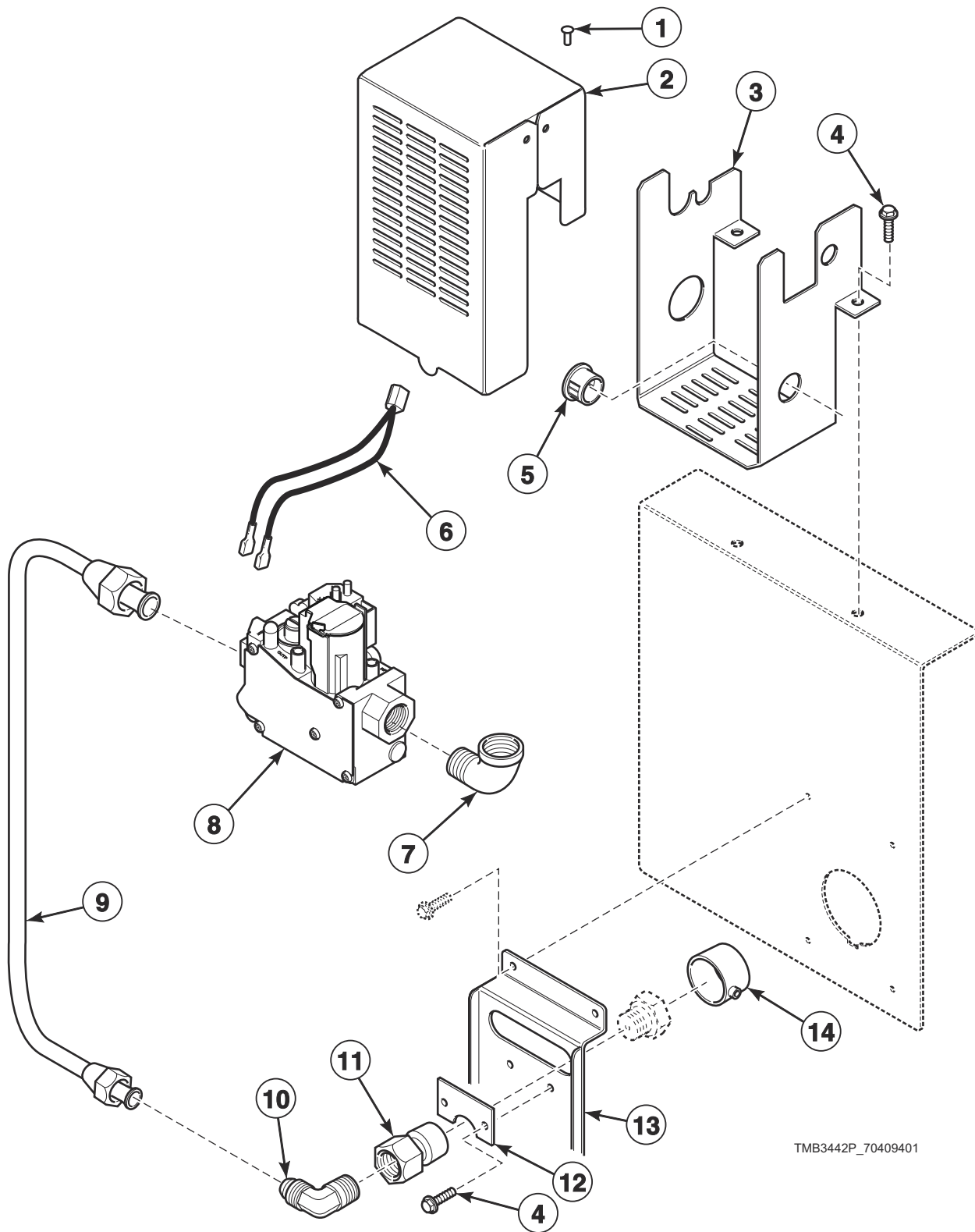


TMB2367P\_70409401

## Gas Burner Housing and Secondary Stove Limit

REF	PART NO.	DESCRIPTION	COMMENTS
	M4902P3	Stove Limit Kit	Australian models; Models through Serial No. 0311000078; In addition, order 70299101 Secondary Stove Limit Kit
	70522701P	Direct Air Kit	
	70491801	Heat Exchanger	
1	430497	Screw	
2	70186301	Manual Reset Thermostat	Australian and Korean models
	M410542	Limit Thermostat	All other models
3	70381001	Gas Valve Cover	CE and Australian models; Models through 12/31/13
	70429901	Gas Valve Cover	CE and Australian models; Models starting 1/1/14
4	70203701	Pipe Clip	
5	70032801P	Spark Electrode	Models through 9/16/12
	70548701P	Spark Electrode	Models starting 9/17/12
6	05161	Screw	
7	70159601	Igniter Cover	
8	70316501	Stove Limit Harness	
9	M405188	Screw	2 required
10	70229801P	Gas Burner	
	70546701	Anti-Rattle Burner Assembly	Includes 70229801P Gas Burner, 431318 Control Door Latch and M400003 Pop Rivet
11	M414477	Thermostat Cover	
12	70299001	Limit Thermostat	Secondary
13	70188801	Burner Grill	
14	70333401	Stove Top and Sides	
15	70297401	Stove Back	

# Gas Valve Assembly - Non-CE and Non-Australian Gas Models

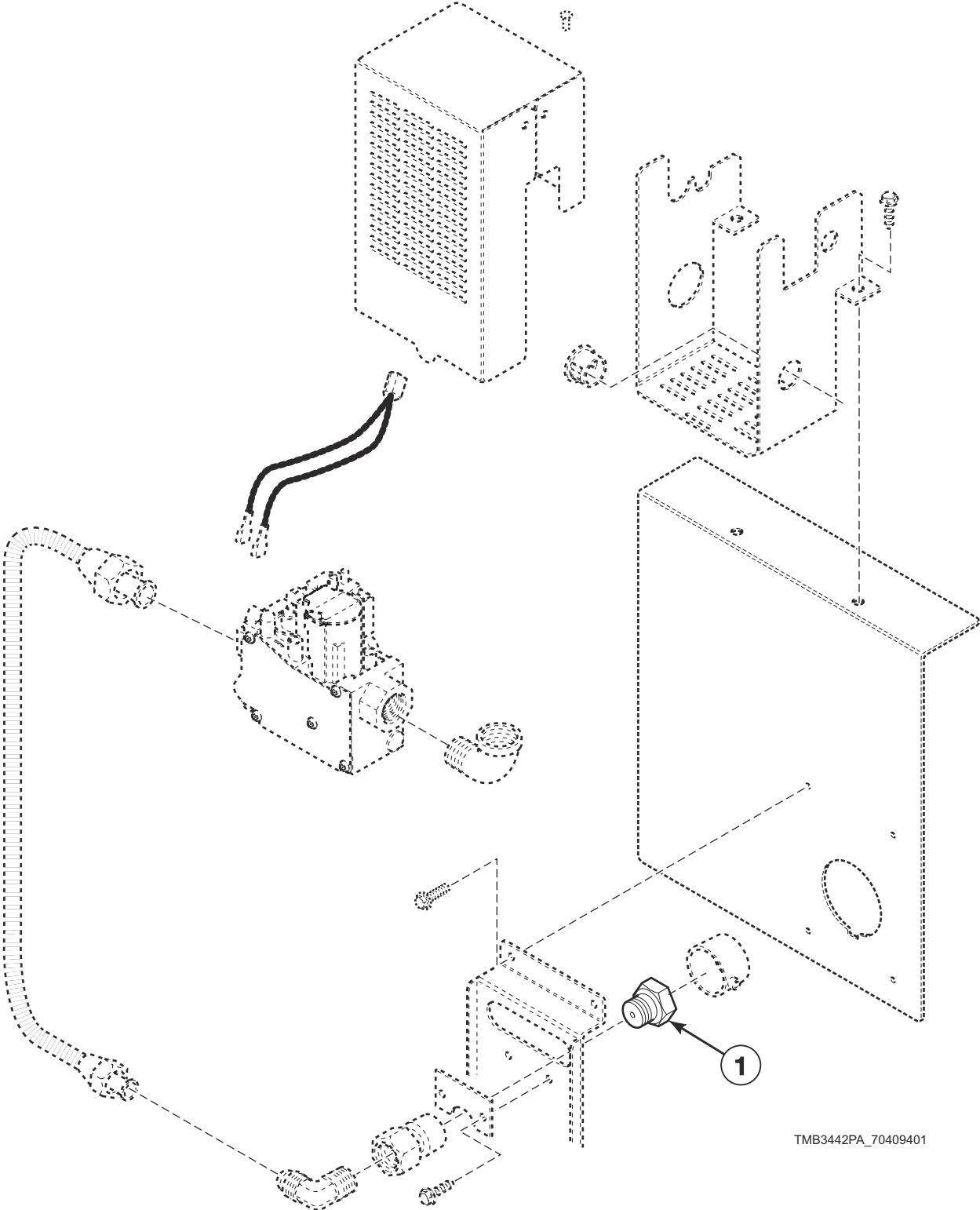


TMB3442P\_70409401

## Gas Valve Assembly - Non-CE and Non-Australian Gas Models

REF	PART NO.	DESCRIPTION	COMMENTS
	M4699P3	L.P. Conversion Kit	Natural Gas (N.G.); 0-2,000 feet; 64,000 Btu input
	M4969P3	Replacement Gas Valve Kit	N.G.; Use to replace old valve before 2/1/10 with new valve
	M4971P3	Replacement Gas Valve Kit	Liquid Petroleum Gas (L.P.); Use to replace old valve before 2/1/10 with new valve
<b>1</b>	M405750	Pop Rivet	4 required
<b>2</b>	70429901	Gas Valve Cover	
<b>3</b>	70429801	Gas Valve Bracket	
<b>4</b>	430497	Screw	10 required
<b>5</b>	M400770	Snap Bushing	
<b>6</b>	M412997	Harness Assembly	
<b>7</b>	H86070034	Street Elbow	
<b>8</b>	44154501P	Gas Valve	N.G.; Models through 12/31/13
	44154502P	Gas Valve	L.P.; Models through 12/31/13
	44154503	N.G. Valve	Models starting 1/1/14
	44154504	L.P. Valve	Models starting 1/1/14
<b>9</b>	70271201	Gas Line Assembly	
<b>10</b>	70208701	Elbow	2 required
<b>11</b>	70379301	Orifice Adapter	
<b>12</b>	70249001	Orifice Keeper Bracket	
<b>13</b>	70248901	Orifice Holder Bracket	
<b>14</b>	70239801	Primary Air Adjustment Sleeve	

# Burner Orifices - Non-CE and Non-Australian Gas Models



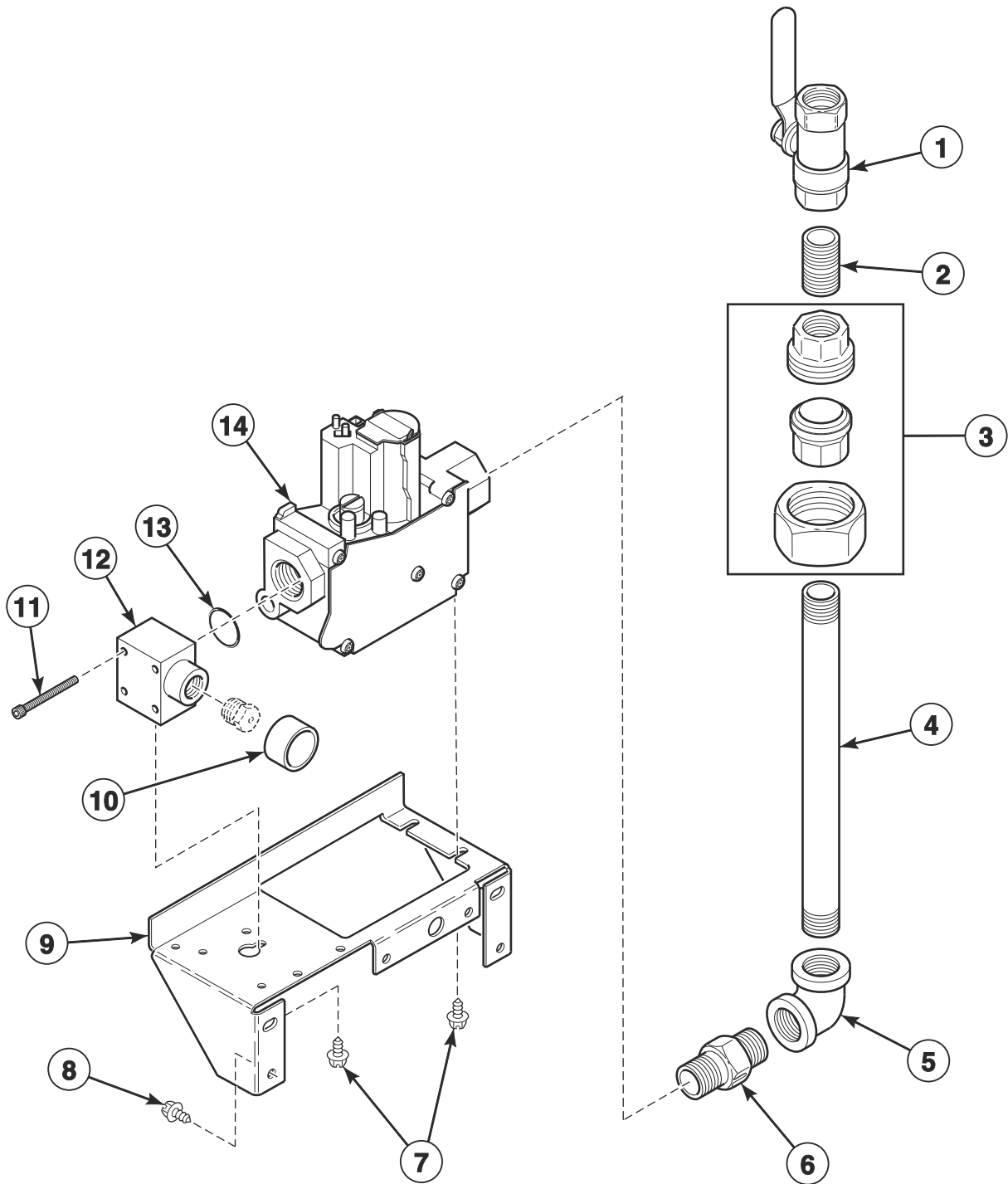
TMB3442PA\_70409401



# Burner Orifices - Non-CE and Non-Australian Gas Models

REF	PART NO.	DESCRIPTION	COMMENTS
1	M400995	Burner Orifice	Blank
	M403017	Burner Orifice	Classic models; Liquid Petroleum Gas (L.P.); Drill no. 42 (2.4 mm); 0-2,000 feet
	M406184	Burner Orifice	Classic models; L.P.; Drill no. 43 (2.3 mm); 2,001-6,000 feet
	M401011	Burner Orifice	Classic models; L.P.; Drill no. 44 (2.2 mm); 6,001-8,000 feet
	M401003	Burner Orifice	Classic models; L.P.; Drill no. 46 (2.1 mm); 8,001-10,000 feet
	M402980	Burner Orifice	Classic models; Natural Gas (N.G.); Drill no. 24 (3.9 mm); 0-2,000 feet
	M401000	Burner Orifice	Classic models; N.G.; Drill no. 26 (3.7 mm); 2,001-4,000 feet
	M400998	Burner Orifice	Classic models; N.G.; Drill no. 27 (3.7 mm); 4,001-6,000 feet
	M401014	Burner Orifice	Classic models; N.G.; Drill no. 28 (3.6 mm); 6,001-8,000 feet
	M400997	Burner Orifice	Classic models; N.G.; Drill no. 29 (3.4 mm); 8,001-10,000 feet
	M402489	Burner Orifice	Eco models; 50 Hertz; N.G.; Drill no. 1/8 (3.2 mm); 0-2,000 feet
	M401017	Burner Orifice	Eco models; 50 Hertz; N.G.; Drill no. 31 (3.0 mm); 2,001-4,000 feet
	M401022	Burner Orifice	Eco models; 50 Hertz; N.G.; Drill no. 33 (2.9 mm); 4,001-6,000 feet
	M411512	Burner Orifice	Eco models; 50 Hertz; N.G.; Drill no. 34 (2.8 mm); 6,001-8,000 feet
	M411375	Burner Orifice	Eco models; 50 Hertz; N.G.; Drill no. 36 (2.7 mm); 8,001-10,000 feet
	44254001	Burner Orifice	Eco models; 60 Hertz; N.G.; 3.4 mm; 0-2,000 feet
	M401021	Burner Orifice	Eco models; 60 Hertz; N.G.; Drill no. 30; 2,001-4,000 feet
	M402489	Burner Orifice	Eco models; 60 Hertz; N.G.; Drill no. 1/8 (3.2 mm); 4,001-6,000 feet
	M401017	Burner Orifice	Eco models; 60 Hertz; N.G.; Drill no. 31 (3.0 mm); 6,001-8,000 feet
	M401022	Burner Orifice	Eco models; 60 Hertz; N.G.; Drill no. 33 (2.9 mm); 8,001-10,000 feet

# Gas Valve and Piping - CE and Australian Gas Models



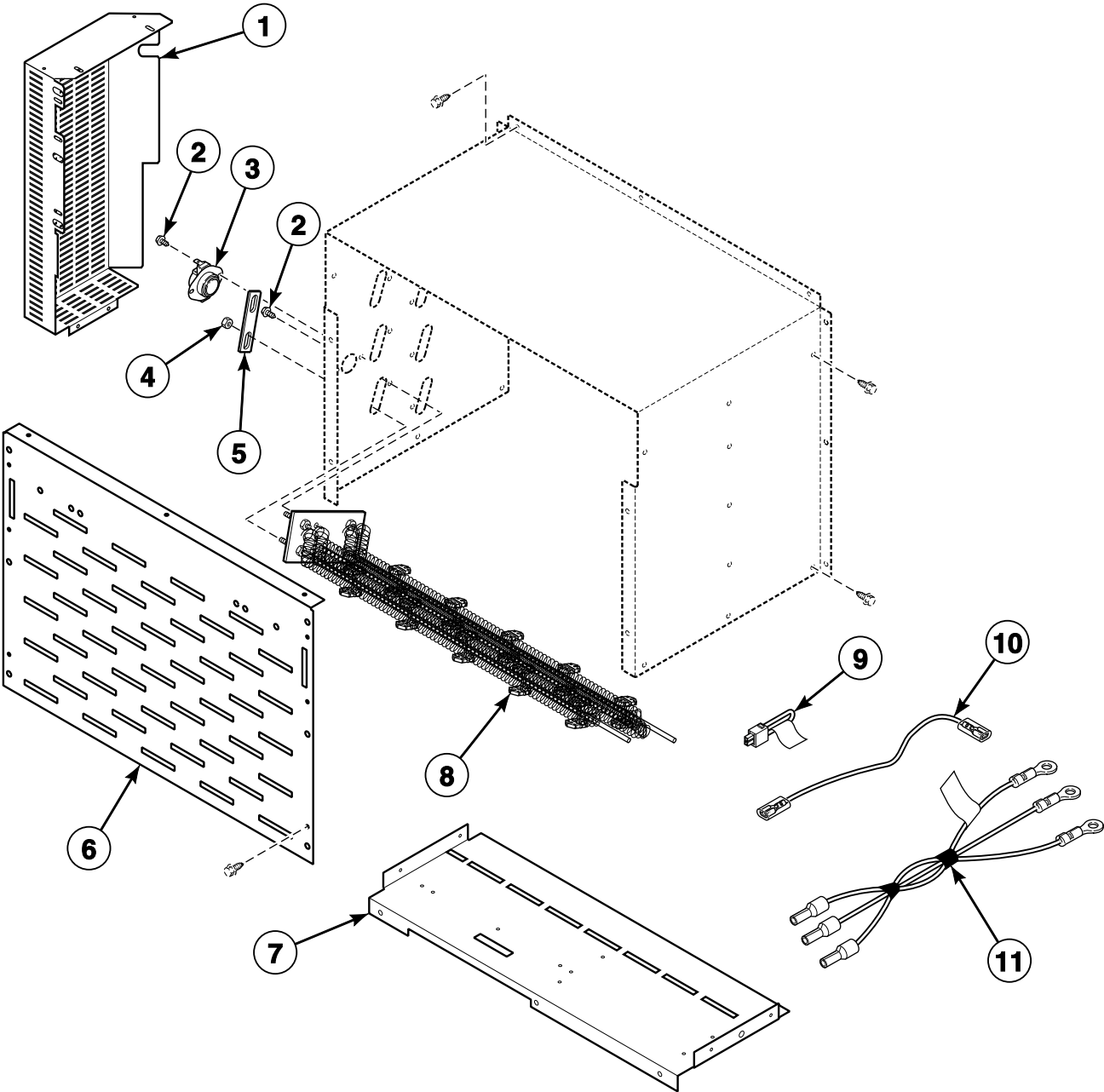
TMB3443P\_70409401

## Gas Valve and Piping - CE and Australian Gas Models

REF	PART NO.	DESCRIPTION	COMMENTS
	K555	L.P. Conversion Kit	Regulated; Natural Gas (N.G.) to Liquid Petroleum Gas (L.P.); CE models; Must also order orifice, refer to Installation Manual
	M4699P3	L.P. Conversion Kit	N.G.; 0-2,000 feet; Australian models
	M405434P	L.P. Valve Conversion Kit	Unregulated; Must also order orifice, refer to Installation Manual; Use with 44154503 N.G. Valve
	70184001	Gas Valve Harness	CE models; Use with item 14
	M413650	Gas Valve Harness Assembly	Australian models; Use with item 14
	70239801	Primary Air Adjustment Sleeve	
	44257501	Gas Valve and E-Clip Kit	Use to replace gas valve coils on 70457301P and 70457302P Valves
	70260101	Gas Valve Coil	24 Volt; Models through 12/31/13
<b>1</b>	M412562P	Gas Shut-Off Valve	Models through 1/31/10
<b>2</b>	901403	Pipe Nipple	1/2 NPT; Models through 1/31/10
<b>3</b>	H86000031	Union	Models through 1/31/10
<b>4</b>	70139601	Pipe Nipple	
<b>5</b>	70079601	Elbow	
<b>6</b>	70131901	Adapter	BPT/NPT
<b>7</b>	23222	Screw	
<b>8</b>	430497	Screw	
<b>9</b>	70233301	Gas Valve Bracket	
<b>10</b>	70239801	Primary Air Adjustment Sleeve	
<b>11</b>	431484	Screw	
<b>12</b>	70223501	Spud Adapter	
<b>13</b>	431482	O-Ring	
<b>14</b>	70457301P	N.G. Valve	Regulated; Models through 12/31/13
	44154503	N.G. Valve	Regulated; Models starting 1/1/14
	70457302P	L.P. Valve	Unregulated; Models through 12/31/13
	44154504	L.P. Valve	Unregulated; Models starting 1/1/14

**NOTE: For CE gas and orifice information, refer to Installation Manual.**

# Electric Heater Components

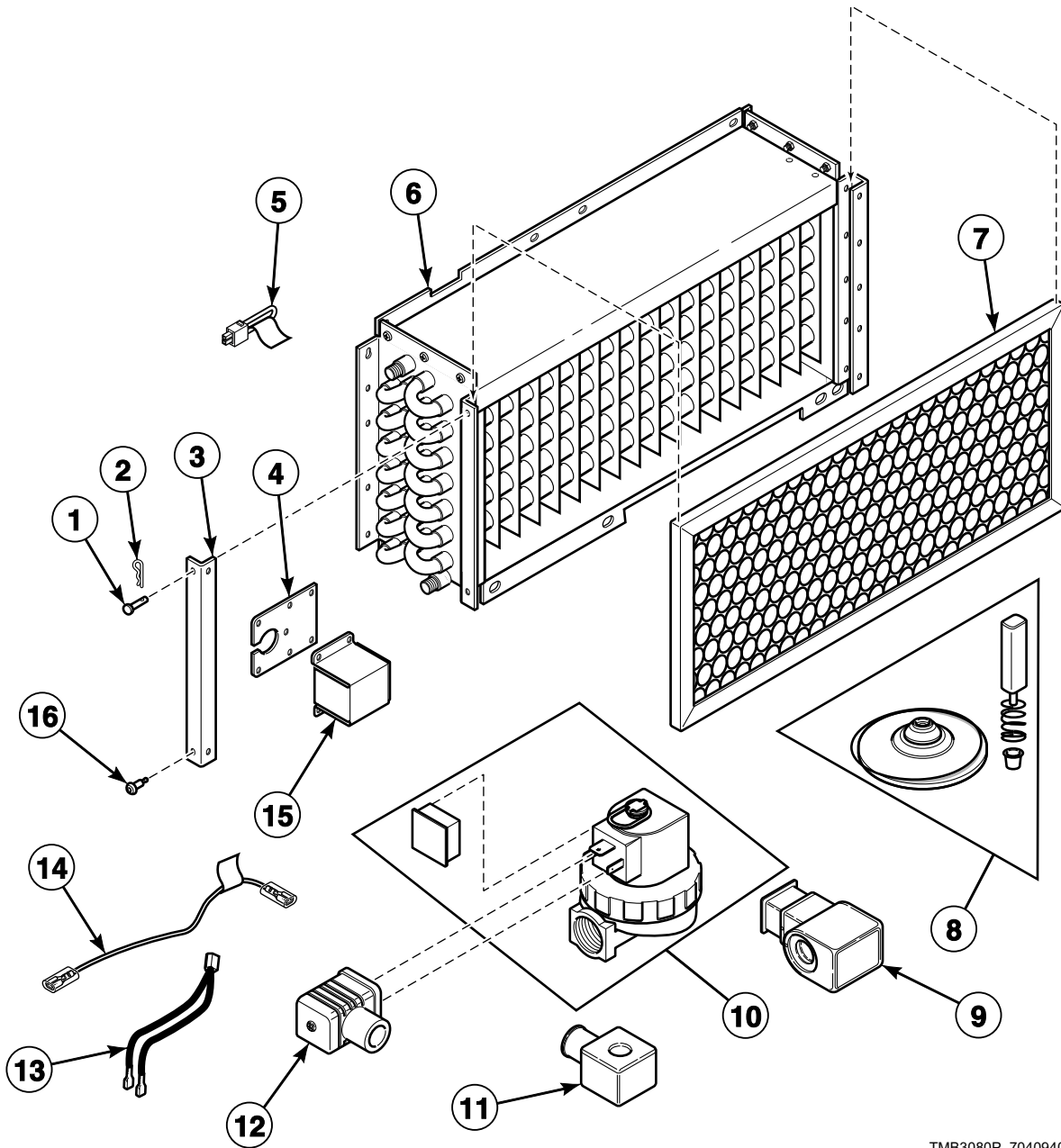


TMB3148P\_70409401

## Electric Heater Components

REF	PART NO.	DESCRIPTION	COMMENTS
	70522801P	Direct Air Kit	
	70491801	Heat Exchanger	
<b>1</b>	70365201	Stove Connectors Cover	
<b>2</b>	430497	Screw	
<b>3</b>	M410542	Limit Thermostat	
<b>4</b>	70054	Nut	
<b>5</b>	70066501	Jumper Bar	2 required on 380, 400, 400-415 and 460-480 Volt
	M400869	Jumper Strip	3 required for 460-480 Volt; 6 required for all other models
<b>6</b>	70214901	Stove Grill	
<b>7</b>	70357201	Stove Partition	
<b>8</b>	70034414P	Heater Element	Classic models; 3 required; 4 kW; 220 Volt heater element for 380 and 440 Volt/3 Phase
	70034415P	Heater Element	Classic models; Non-CE and non-Australian models; 3 required; 4 kW; 208 Volt heater element for 200-208 Volt/1 or 3 Phase
	70034416P	Heater Element	Classic models; 3 required; 4 kW; 240 Volt heater element for 230-240 Volt/1 or 3 Phase and 400-415 and 460-480 Volt/3 Phase
	70034417	Heater Element	Classic models; CE models; 3 required; 3 kw; 240 Volt heater element for 400-415 Volt/3 Phase; Low wattage
	70034413P	Heater Element	Eco models; 3 required; 3 kW; 220 Volt heater element for 380 and 440 Volt/3 Phase
	70034417	Heater Element	Eco models; 3 required; 3 kW; 240 Volt heater element for 400-415 Volt/50 Hertz or 240 and 460-480 Volt/60 Hertz
	70034418P	Heater Element	Eco models; 3 required; 3 kW; 208 Volt heater element for 200-208 Volt/3 Phase
<b>9</b>	70316601	Stove Limit Bypass Harness	
<b>10</b>	70066601	Jumper Wire	1 required for 460-480 Volt
<b>11</b>	70371301P	Cable Set Heater Assembly	Heat contactor 1 to heating elements H1-H3
	70371401P	Cable Set Heater Assembly	Heat contactor 2 to heating elements H4-H6; 240 Volt or less

# Steam Heater Components

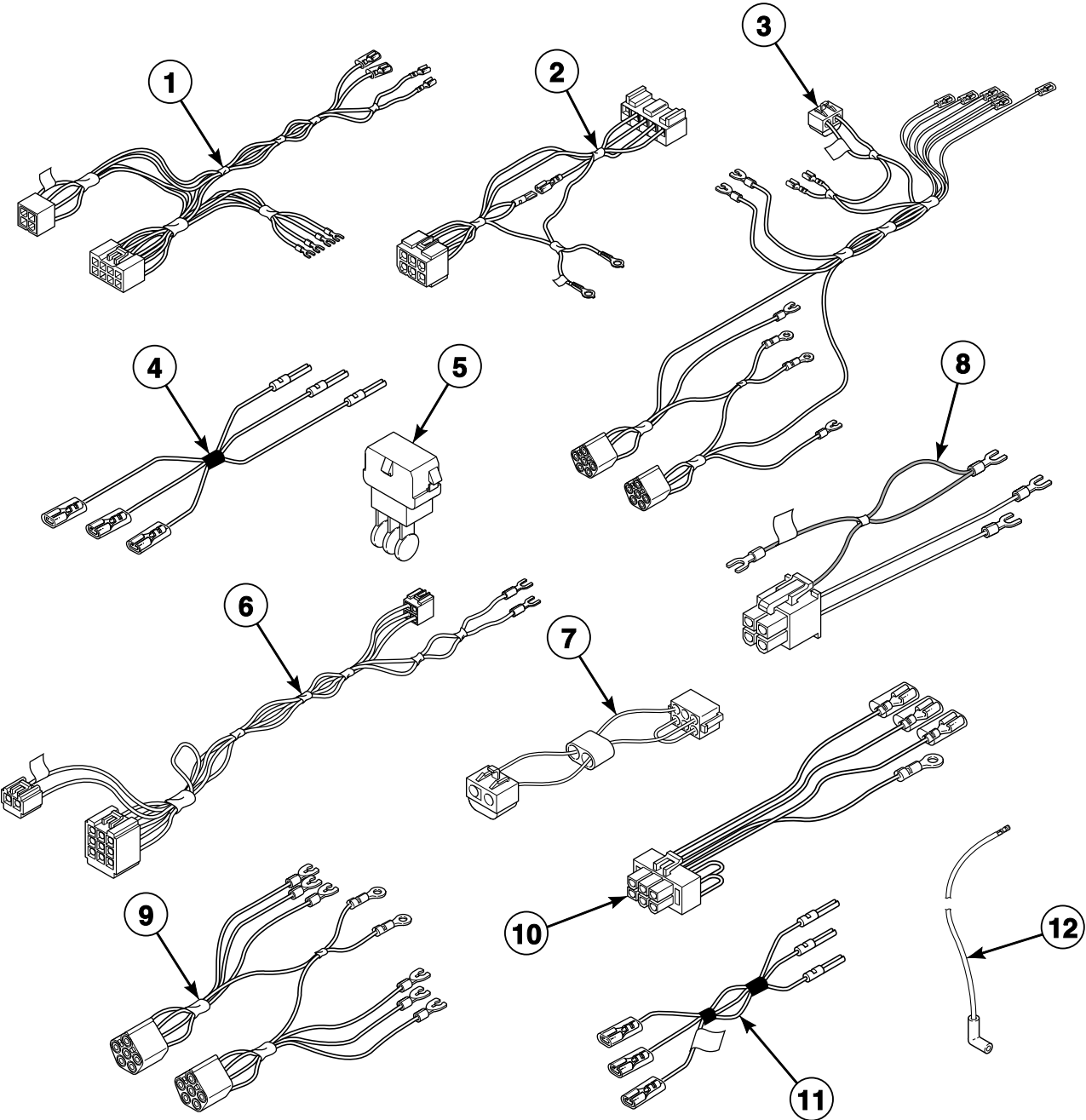


TMB3080P\_70409401

## Steam Heater Components

REF	PART NO.	DESCRIPTION	COMMENTS
	F8382301	DIN Valve Adapter Kit	Use with F8322902 Steam Valve
	F8514801	Valve Coil	Use with F8322902 Steam Valve
1	70389201	Clevis Pin	To secure 70369301 Steam Filter Holder
2	70389301	Hairpin Cotter	To secure 70369301 Steam Filter Holder
3	70369301	Steam Filter Holder	
4	70369401	Steam Valve Harness Bracket	
5	70316601	Stove Limit Bypass Harness	
6	70369101P	Steam Coil	4 rows
7	70429401	Filter	CE models
	70036001	Air Filter	All other models
8	70351021P	Steam Valve Rebuild Kit	Parker; Use with 70351001P and 70351002P Steam Valves
	F8379502	Valve Rebuild Kit	Asco; Use with F8322902 and F8322903 Steam Valves
9	70351012	Steam Solenoid	24 Volt/50 Hertz
10	F8521701	Valve Kit	Parker valve replacement kit; To replace 70351001 Steam Valve
	F8322902	Steam Valve	60 Hertz; Asco
	F8322903	Steam Valve	50 Hertz
11	70351011P	Steam Solenoid	24 Volt/60 Hertz
12	70370301P	Solenoid Valve DIN Connector	
13	M412997	Harness Assembly	
14	70389901	Steam Stove Limit Bypass Harness	
15	70369501	Steam Valve Wiring Cover	
16	70058501	Pop Rivet	To secure 70369301 Steam Filter Holder

# Control Tray Harnesses for Gas Models



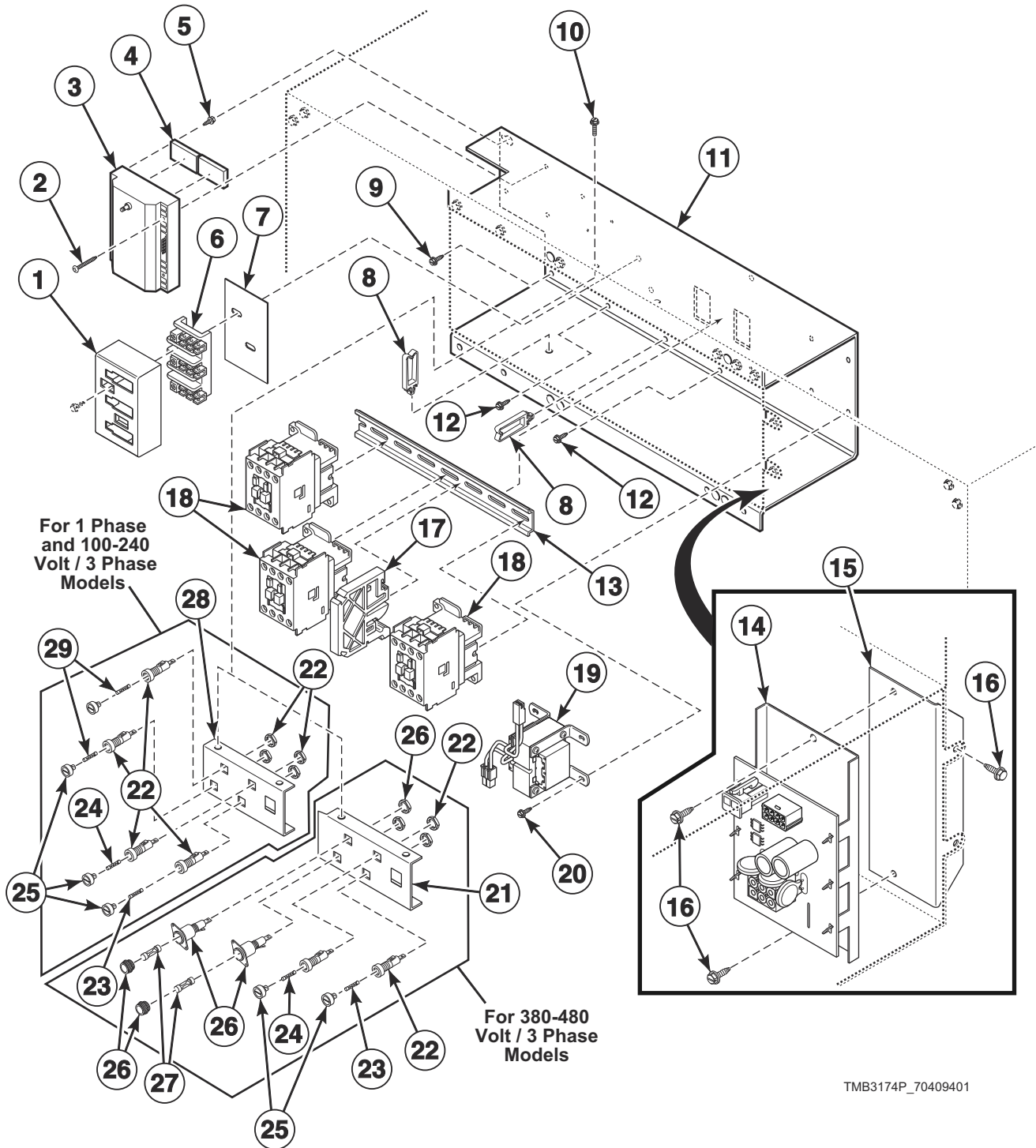
TMB3173P\_70409401



## Control Tray Harnesses for Gas Models

REF	PART NO.	DESCRIPTION	COMMENTS
1	70315801	Junction Box Harness	Models through 7/8/12
	70464701	Control Tray Harness	Models starting 7/9/12
2	44186901	Ignition Control Harness	CE and Australian models; Models with EO, RE, RU and UO control suffixes
	44136601P	Ignition Control Harness	CE and Australian models; Models with all other control suffixes
	44186701	Ignition Control Harness	Non-CE and non-Australian models
3	70316101P	Power Harness	CE and Australian models through 2/28/10; 3 Phase models with less than 380 Volts
	70347701P	Power Harness	Models through 2/28/10; Contactor; 1 Phase
	70332201	Power Harness	Models through 2/28/10; 3 Phase models with 380 Volts or higher
	70439001	Power Harness	CE and Australian models starting 3/1/10 through 7/8/12; 3 Phase models with less than 380 Volts
	70445501	Power Harness	Models starting 3/1/10 through 7/8/12; Contactor; 1 Phase
	70438901	Power Harness	Models starting 3/1/10 through 7/8/12; 3 Phase models with 380 Volts or higher
	70464901	Power Harness	CE and Australian models starting 7/9/12; 3 Phase models with less than 380 Volts
	70469701	Power Harness	Models starting 7/9/12; Contactor; 1 Phase
	70465001	Power Harness	Models starting 7/9/12; 3 Phase models with 380 Volts or higher
4	70120901	Jumper Disconnect Assembly	CE and Australian models
5	M413863	Network Capacitor Assembly	3L, 3O, 3V, 3X, DO, DV, DX and OM control suffixes
6	70471901	Reversing Control Board Harness	3B, 3K, 3W, BB, BK, BW and BZ control suffixes
7	M413504	Jumper Harness Assembly	100 Volt
	M413505	Jumper Harness Assembly	120 Volt
	M413506	Jumper Harness Assembly	208 Volt
	M413507	Jumper Configuration Assembly	240 Volt
	M413508	Jumper Harness Assembly	380 Volt
	M413510	Jumper Configuration Assembly	480 Volt
8	70465301	Reversing Contactor Harness	Reversing models
9	70320201	Motor Contactor Harness	Models through 2/28/10; 3 Phase
	44142601P	Motor Contactor Harness	Models starting 3/1/10 through 7/8/12; 3 Phase
	70469301	Motor Contactor Harness	Models starting 7/9/12; 3 Phase
10	M413878	Network Capacitor Harness Assembly	Models through 7/8/12; 3L, 3O, 3V, 3X, DO, DV, DX and OM control suffixes
	44143401P	Network Capacitor Harness Assembly	Models starting 7/9/12; Also order 00177 Male Tab Terminal; 3L, 3O, 3V, 3X, DO, DV, DX and OM control suffixes
11	70342101	Gas Disconnect Harness	CE and Australian models through 2/28/10
	70440501	Gas Disconnect Harness	CE and Australian models starting 3/1/10
12	70006201	High Voltage Lead	Models through 9/16/12; Use with 70367301P or 70367401P Ignition Control
	44239702	High Voltage Suppression Cable	Models starting 9/17/12; Use with 70458601, 70458701 or 70483201 Ignition Control

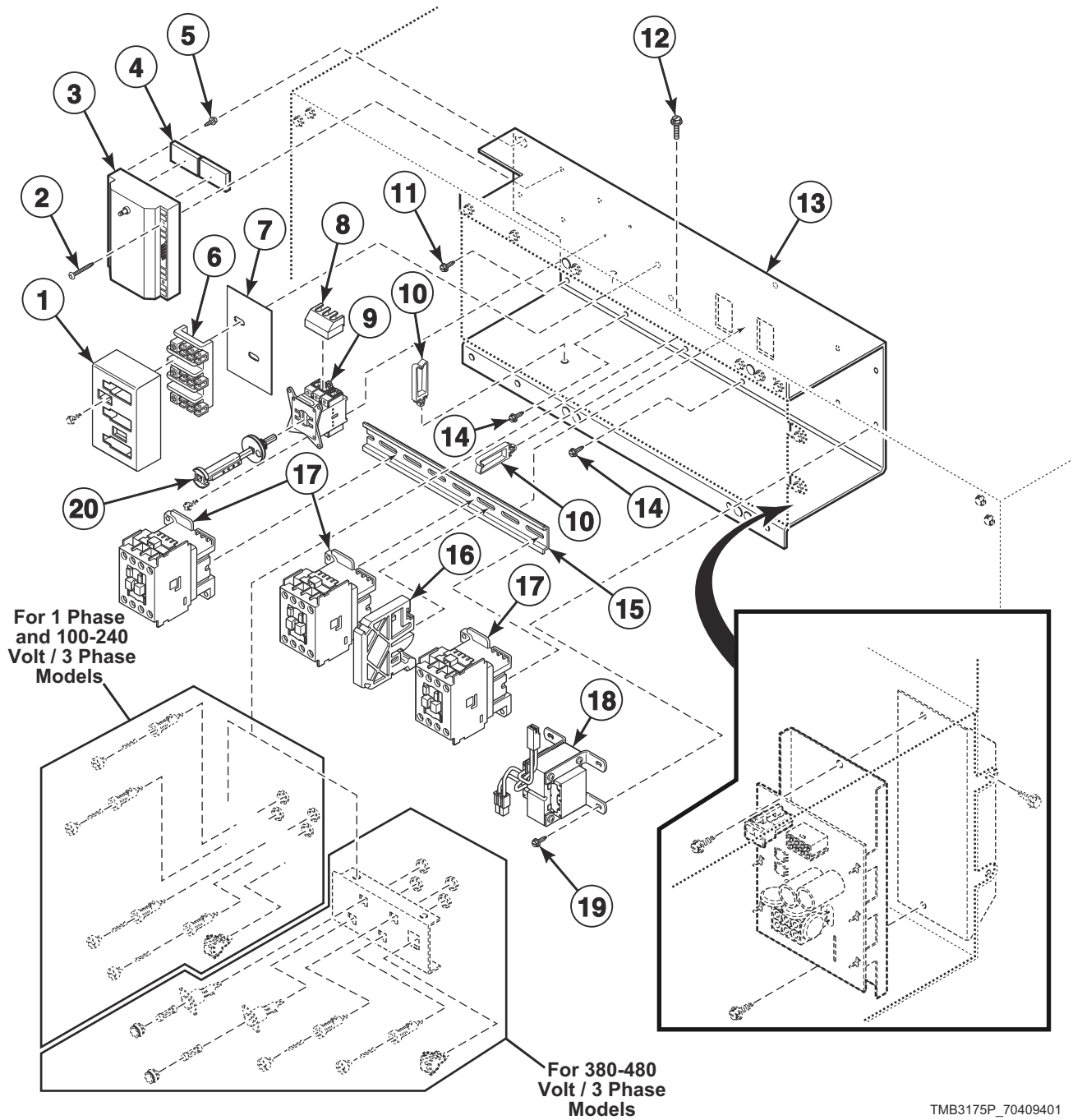
# Control Tray for Non-CE and Non-Australian Gas Models



## Control Tray for Non-CE and Non-Australian Gas Models

REF	PART NO.	DESCRIPTION	COMMENTS
	70030501	Expansion Clip	4 required; Used on item 19
	M403047	Secure Ground Label	
1	70333001	Terminal Block Shield	
2	51783	Screw	2 required
3	70492701	Ignition Control Kit	Models through 9/16/12; Use with 44239702 High Voltage Suppression Cable
	70458601P	Ignition Control	24 Volt; Models starting 9/17/12; Use with 44239702 High Voltage Suppression Cable
4	56128	Bumper Pad	2 required
5	38272	Screw	
6	430642	Terminal Block	
7	M413862	Insulator	
8	70366201	Wire Clip	
9	430497	Screw	3 required
10	51780	Screw	2 required
11	70469201	Control Tray	
12	M402917	Screw	4 required
13	M412693	Din Rail	
14	70469901	Reversing Control Assembly	3B, 3K, 3W, BB, BW and BZ control suffixes
15	70472601	Bracket	3B, 3K, 3W, BB, BW and BZ control suffixes
16	F8206901	Screw	4 required
17	F330186P	Interlock Contactor	Reversing models
18	70323701P	Contactor	1 required nonreversing models; 3 required reversing models
19	M414312P	Transformer	120 Volt; Dual secondary
	M414230P	Transformer	120 Volt; Primary/secondary
	M414228P	Transformer	100-240 Volt
	M414229P	Transformer	380-480 Volt
20	M411072	Screw	4 required
21	70313601	Fuse Bracket	380-480 Volt; Models through 2/28/10
	70313602	Fuse Bracket	380-480 Volt; Models starting 3/1/10
22	70329401P	Fuse Holder Body	Includes nuts; 3 required for 1 Phase; 4 required for 3 Phase
23	70406601	Fuse	3.5 Amp
24	70406501	Fuse	1.25 Amp
25	70329501	Fuse Holder Cap	3 required for 1 Phase and 380-480 Volt/3 Phase; 4 required for 100-240 Volt/3 Phase
26	M413544P	Fuse Holder	Includes nuts; 2 required for 380-480 Volt; Models through 2/28/10
	44155601P	Fuse Holder	2 required for 380-480 Volt; Models starting 3/1/10
27	44310001	Fuse	2 required for 380-480 Volt; 0.5 Amp
28	70306901	Fuse Bracket	100-240 Volt
29	70406701	Fuse	2 Amp; 100-240 Volt

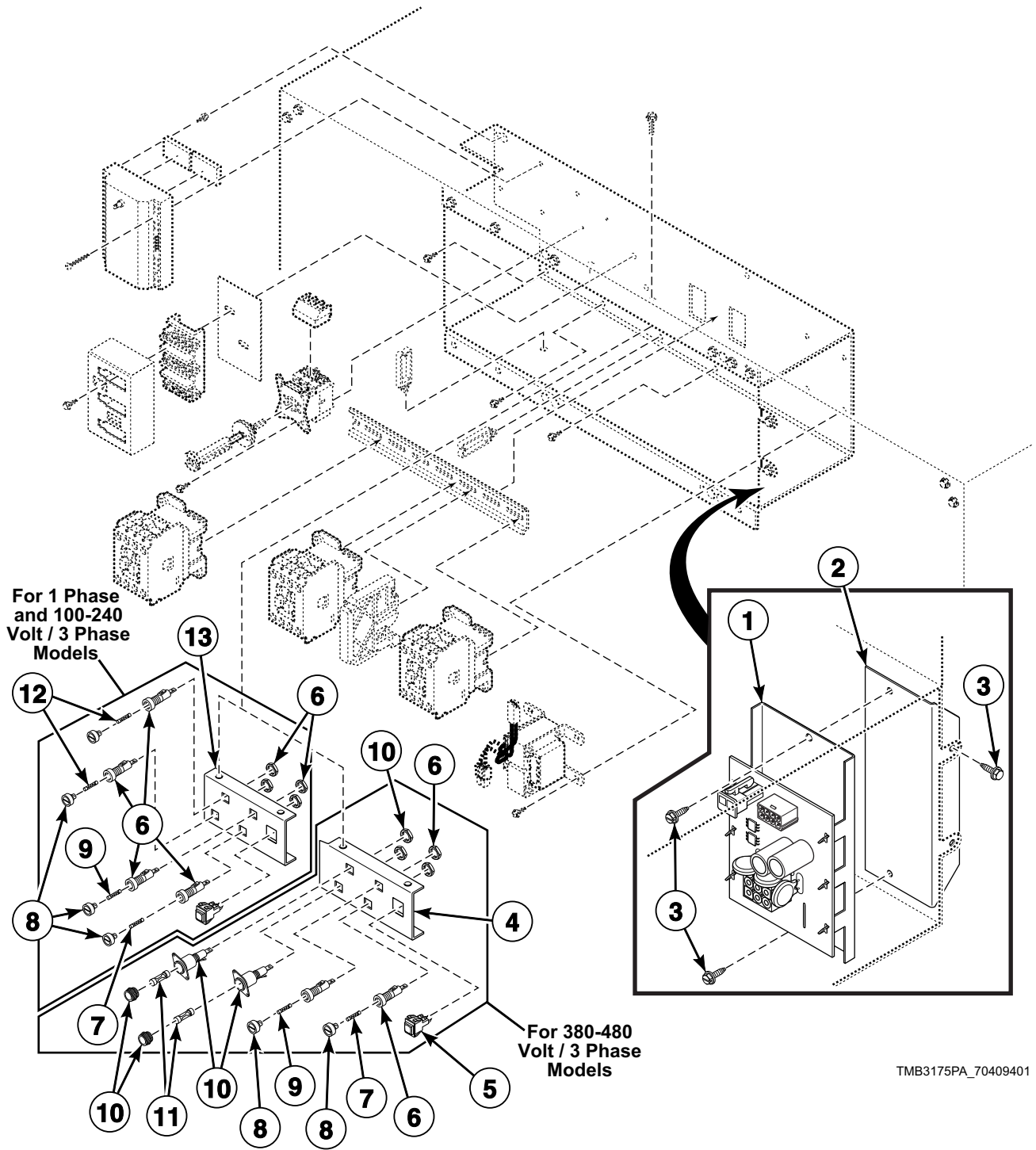
# Control Tray Components for CE and Australian Gas Models - (Drawing 1 of 2)



## Control Tray Components for CE and Australian Gas Models - (Drawing 1 of 2)

REF	PART NO.	DESCRIPTION	COMMENTS
	70030501	Expansion Clip	4 required
	M403047	Secure Ground Label	
	M412096	Earth Terminal Sticker	
	51782	Screw	2 required
	70411001	ICM Reset Label	
	44127701	Warning Label	Extended tumble; On control tray cover
<b>1</b>	70333001	Terminal Block Shield	
<b>2</b>	51783	Screw	2 required
<b>3</b>	70492801	Ignition Control Kit	CE models through 1/16/13; Australian models through 1/16/13 and starting again 4/1/13 through 7/31/13; 24 Volt; Use with 44239702 High Voltage Suppression Cable
	70483201P	Ignition Control	CE models starting 1/17/13; Australian models starting 1/17/13 through 3/31/13 and starting again 8/1/13; 24 Volt; Use with 44239702 High Voltage Suppression Cable
<b>4</b>	56128	Bumper Pad	2 required
<b>5</b>	38272	Screw	
<b>6</b>	430642	Terminal Block	
<b>7</b>	M413862	Insulator	
<b>8</b>	M412366	Finger Guard	Models through 7/31/11
<b>9</b>	M412187P	Mounting Switch Base	Models through 7/31/11
<b>10</b>	70366201	Wire Clip	
<b>11</b>	430497	Screw	
<b>12</b>	51780	Screw	2 required
<b>13</b>	70469201	Control Tray	
<b>14</b>	M402917	Screw	
<b>15</b>	M412693	Din Rail	
<b>16</b>	F330186P	Interlock Contactor	Reversing models
<b>17</b>	70323701P	Contactor	1 required nonreversing models; 3 required reversing models
<b>18</b>	M414229P	Transformer	380-480 Volt
	M414228P	Transformer	100-240 Volt
<b>19</b>	M411072	Screw	4 required
<b>20</b>	70342501P	Extension Handle	Models through 7/31/11

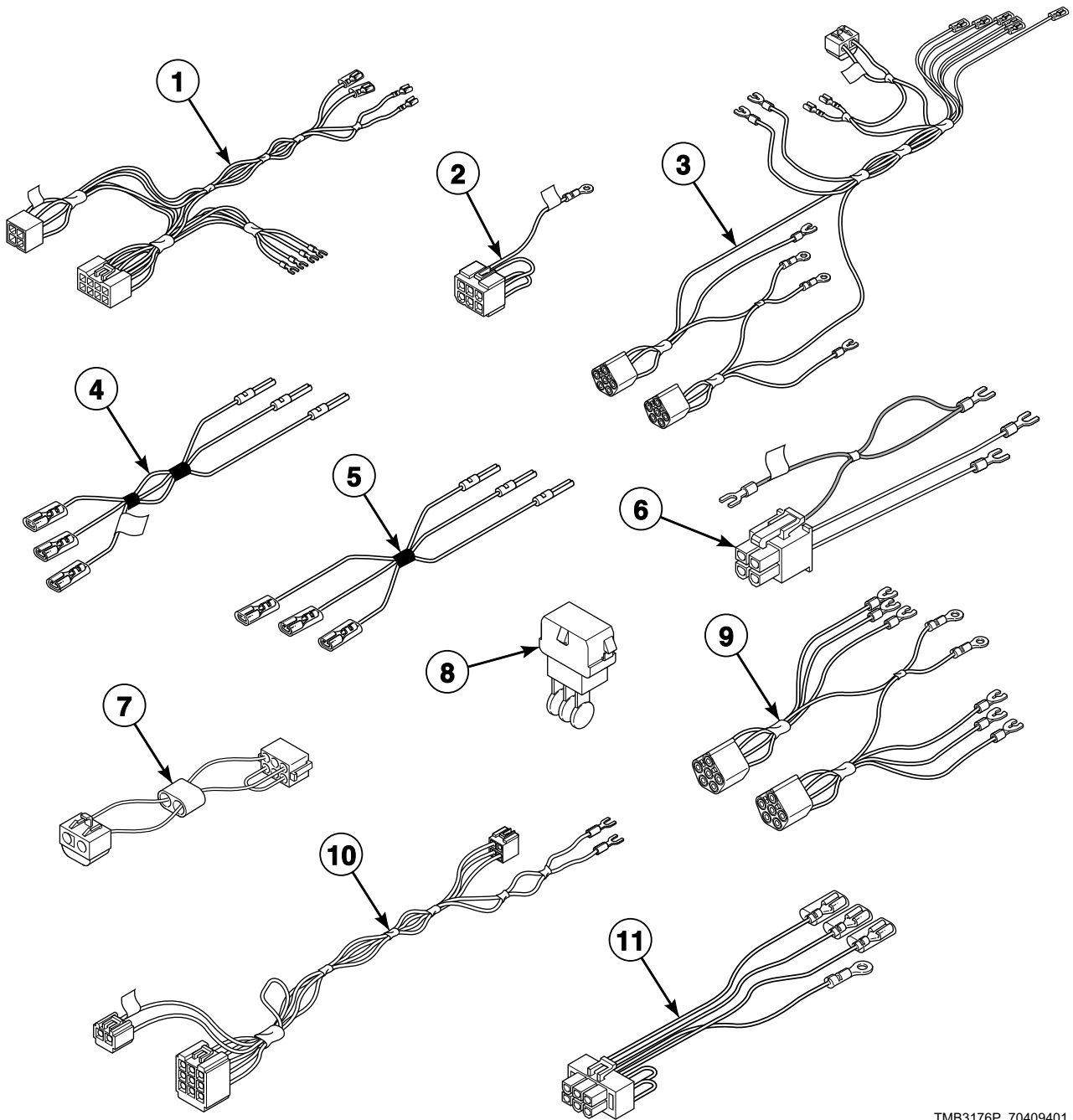
# Control Tray Components for CE and Australian Gas Models - (Drawing 2 of 2)



## Control Tray Components for CE and Australian Gas Models - (Drawing 2 of 2)

REF	PART NO.	DESCRIPTION	COMMENTS
	70030501	Expansion Clip	4 required
	M403047	Secure Ground Label	
	M412096	Earth Terminal Sticker	
	51782	Screw	2 required
	D501086	Screw	4 required for item 10
	70411001	ICM Reset Label	
	44127701	Warning Label	Extended tumble; On control tray cover
<b>1</b>	70469901	Reversing Control Assembly	3B, 3K, 3W, BB, BW and BZ control suffixes
<b>2</b>	70472601	Bracket	3B, 3K, 3W, BB, BW and BZ control suffixes
<b>3</b>	F8206901	Screw	4 required
<b>4</b>	70313601	Fuse Bracket	380-480 Volt; Models through 2/28/10
	70313602	Fuse Bracket	380-480 Volt; Models starting 3/1/10
<b>5</b>	M413431	Pushbutton Switch	
<b>6</b>	70329401P	Fuse Holder Body	Includes nuts; 3 required for 1 Phase; 4 required for 3 Phase models with less than 380 Volts; 2 required for 3 Phase models with 380 Volts or higher
<b>7</b>	70406601	Fuse	3.5 Amp
<b>8</b>	70329501	Fuse Holder Cap	3 required for 1 Phase; 4 required for 3 Phase models with less than 380 Volts; 2 required for 3 Phase models with 380 Volts or higher
<b>9</b>	70406501	Fuse	1.25 Amp
<b>10</b>	M413544P	Fuse Holder	Includes nuts; 2 required for 380-480 Volt; Models through 2/28/10
	44155601P	Fuse Holder	2 required for 380-480 Volt; Models starting 3/1/10
<b>11</b>	44310001	Fuse	2 required for 380-415 Volt; 0.5 Amp
<b>12</b>	70406701	Fuse	1 required for 1 Phase; 2 required for 3 Phase; 2 Amp
<b>13</b>	70306901	Fuse Bracket	100-240 Volt

# Control Tray Harnesses for Steam Models



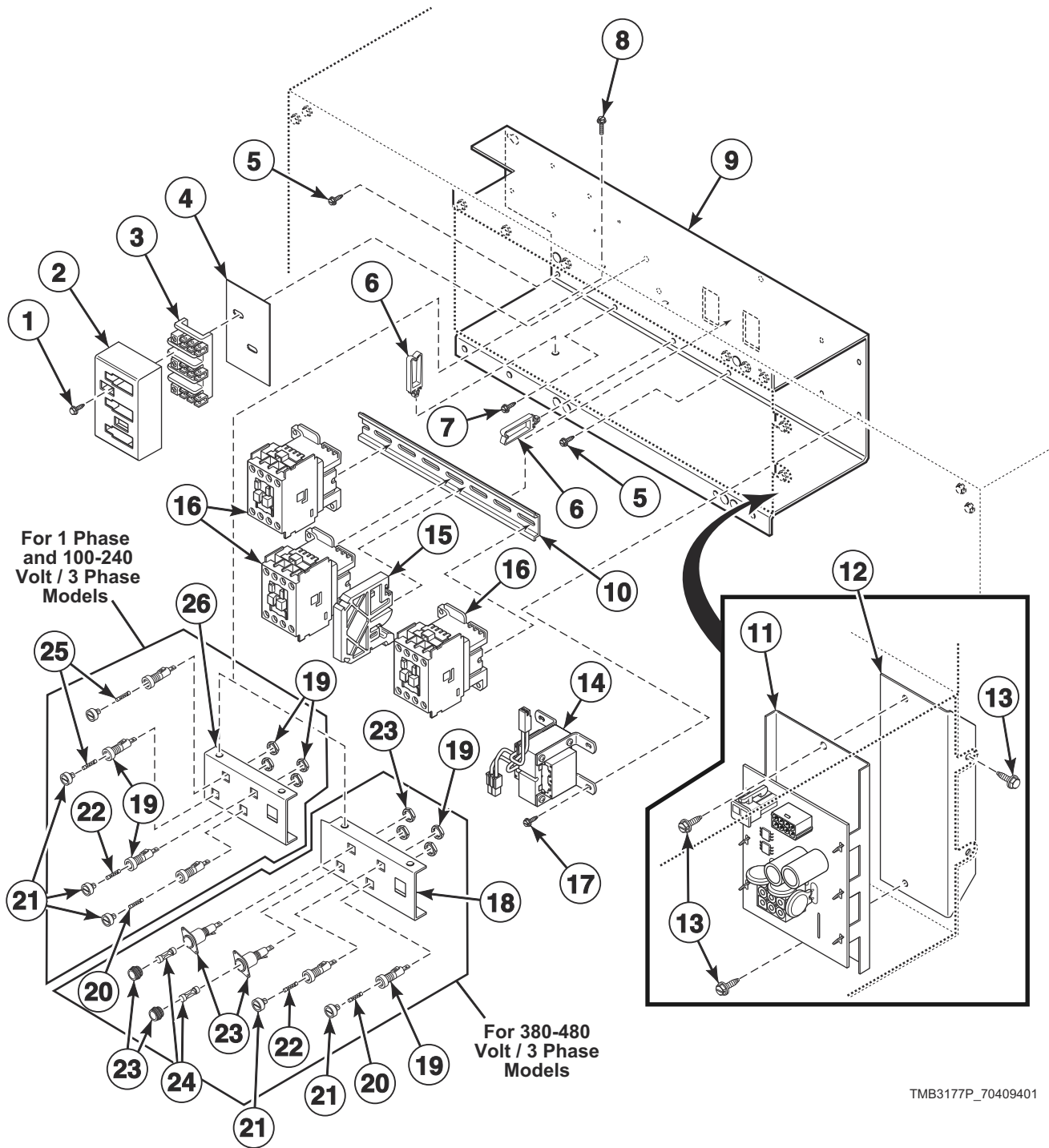
TMB3176P\_70409401



## Control Tray Harnesses for Steam Models

REF	PART NO.	DESCRIPTION	COMMENTS
1	70315801	Junction Box Harness	Models through 7/8/12
	70464701	Control Tray Harness	Models starting 7/9/12
2	70322401P	Steam Configuration Harness	
3	70347701P	Power Harness	Models through 2/28/10; Contactor; 1 Phase
	70316101P	Power Harness	Models through 2/28/10; 3 Phase models with less than 380 Volts
	70332201	Power Harness	Models through 2/28/10; 3 Phase with 380 Volts or higher
	70445501	Power Harness	Models starting 3/1/10 through 7/8/12; Contactor; 1 Phase
	70439001	Power Harness	Models starting 3/1/10 through 7/8/12; 3 Phase models with less than 380 Volts
	70438901	Power Harness	Models starting 3/1/10 through 7/8/12; 3 Phase models with 380 Volts or higher
	70469701	Power Harness	Models starting 7/9/12; Contactor; 1 Phase
	70464901	Power Harness	Models starting 7/9/12; 3 Phase models with less than 380 Volts
	70465001	Power Harness	Models starting 7/9/12; 3 Phase models with 380 Volts or higher
4	70342101	Gas Disconnect Harness	CE models; Models through 2/28/10
	70440501	Gas Disconnect Harness	CE models; Models starting 3/1/10
5	70120901	Jumper Disconnect Assembly	CE models
6	70465301	Reversing Contactor Harness	Reversing models
7	M413504	Jumper Harness Assembly	100 Volt
	M413505	Jumper Harness Assembly	120 Volt
	M413506	Jumper Harness Assembly	208 Volt
	M413507	Jumper Configuration Assembly	240 Volt
	M413508	Jumper Harness Assembly	380 Volt
	M413510	Jumper Configuration Assembly	480 Volt
8	M413863	Network Capacitor Assembly	3L, 3O, 3V, 3X, DO, DV, DX and OM control suffixes
9	70320201	Motor Contactor Harness	Models through 2/28/10; 3 Phase models with 380 Volts or higher
	44142601P	Motor Contactor Harness	Models starting 3/1/10 through 7/8/12; 3 Phase models with 380 Volts or higher
	70469301	Motor Contactor Harness	Models starting 7/9/12; 3 Phase models with 380 Volts or higher
10	70471901	Reversing Control Board Harness	3B, 3K, 3W, BB, BW and BZ control suffixes
11	M413878	Network Capacitor Harness Assembly	Models through 7/8/12; 3O, 3V, 3X, DO, DV, DX and OM control suffixes
	44143401P	Network Capacitor Harness Assembly	Models starting 7/9/12; Also order 00177 Male Tab Terminal; 3L, 3O, 3V, 3X, DO, DV, DX and OM control suffixes

# Control Tray for Non-CE Steam Models

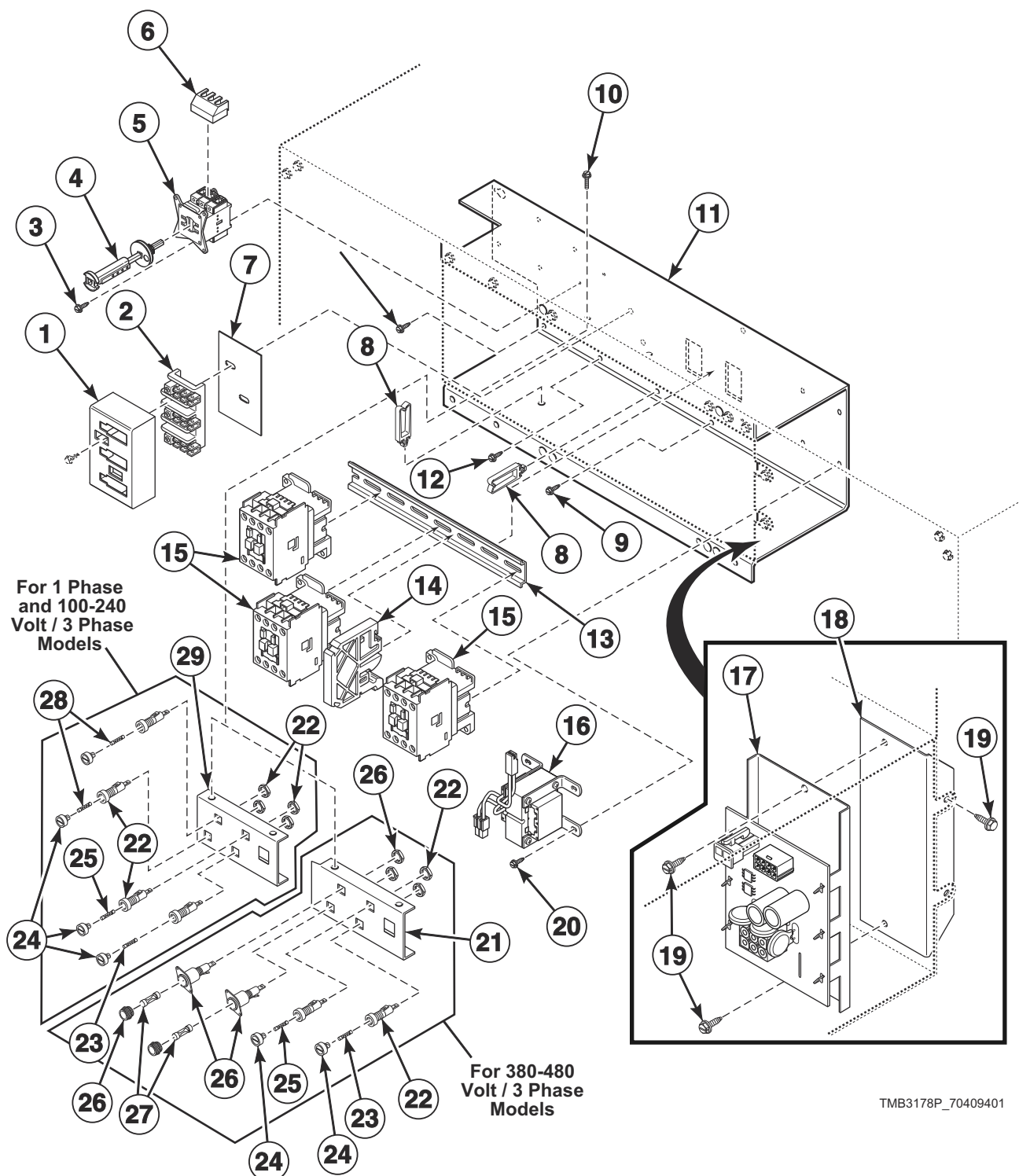


TMB3177P\_70409401

## Control Tray for Non-CE Steam Models

REF	PART NO.	DESCRIPTION	COMMENTS
	D501086	Screw	4 required
	70030501	Expansion Clip	4 required
	M403047	Secure Ground Label	
1	51783	Screw	2 required
2	70333001	Terminal Block Shield	
3	430642	Terminal Block	
4	M413862	Insulator	
5	430497	Screw	
6	70366201	Wire Clip	
7	M402917	Screw	
8	51780	Screw	2 required
9	70469201	Control Tray	
10	M412693	Din Rail	
11	70469901	Reversing Control Assembly	3B, 3K, 3W, BB, BW and BZ control suffixes
12	70472601	Bracket	3B, 3K, 3W, BB, BW and BZ control suffixes
13	F8206901	Screw	4 required
14	M414312P	Transformer	120 Volt; Dual secondary
	M414230P	Transformer	120 Volt; Primary/secondary
	M414228P	Transformer	100-240 Volt
	M414229P	Transformer	380-480 Volt
	44074401	Transformer	440 Volt; Dual secondary
15	F330186P	Interlock Contactor	Reversing models
16	70323701P	Contactors	1 required nonreversing models; 3 required reversing models
17	M411072	Screw	4 required
18	70313601	Fuse Bracket	380-480 Volt; Models through 2/28/10
	70313602	Fuse Bracket	380-480 Volt; Models starting 3/1/10
19	70329401P	Fuse Holder Body	Includes nuts; 3 required for 1 Phase; 4 required for 3 Phase models with less than 380 Volts; 2 required for 3 Phase models with 380 Volts or higher
20	70406601	Fuse	3.5 Amp
21	70329501	Fuse Holder Cap	3 required for 1 Phase; 4 required for 3 Phase models with less than 380 Volts; 2 required for 3 Phase models with 380 Volts or higher
22	70406501	Fuse	1.25 Amp
23	M413544P	Fuse Holder	Includes nuts; 2 required for 380-480 Volt; Models through 2/28/10
	44155601P	Fuse Holder	2 required for 380-480 Volt; Models starting 3/1/10
24	44310001	Fuse	2 required for 380-480 Volt/3 Phase; 0.5 Amp
25	70406701	Fuse	2 required for 100-240 Volt/3 Phase
26	70306901	Fuse Bracket	100-240 Volt

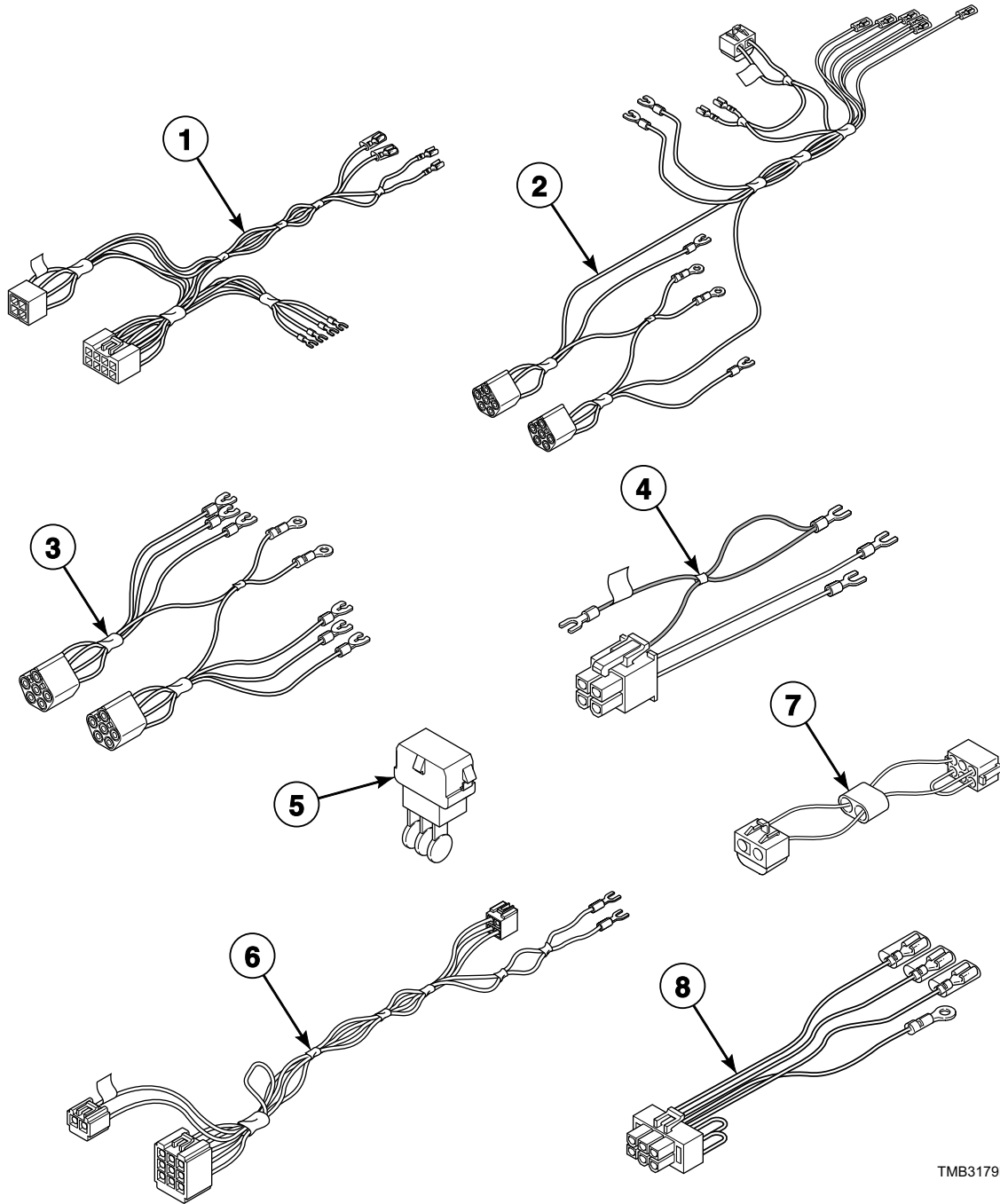
# Control Tray for CE Steam Models



## Control Tray for CE Steam Models

REF	PART NO.	DESCRIPTION	COMMENTS
	70030501	Expansion Clip	4 required
	M403047	Secure Ground Label	
	M412096	Earth Terminal Sticker	
	D501086	Screw	4 required
1	70333001	Terminal Block Shield	
2	430642	Terminal Block	
3	51782	Screw	2 required
4	70342501P	Extension Handle	Models through 7/31/11
5	M412187P	Mounting Switch Base	Models through 7/31/11
6	M412366	Finger Guard	Models through 7/31/11
7	M413862	Insulator	
8	70366201	Wire Clip	
9	430497	Screw	
10	51780	Screw	2 required
11	70469201	Control Tray	
12	M402917	Screw	
13	M412693	Din Rail	
14	F330186P	Interlock Contactor	Reversing models
15	70323701P	Contactor	1 required nonreversing models; 3 required reversing models
16	M414228P	Transformer	100-240 Volt
	M414229P	Transformer	380-480 Volt
	44074401	Transformer	440 Volt; Dual secondary
17	70469901	Reversing Control Assembly	3B, 3W, BB, BW and BZ control suffixes
18	70472601	Bracket	3B, 3W, BB, BW and BZ control suffixes
19	F8206901	Screw	4 required
20	M411072	Screw	4 required
21	70313601	Fuse Bracket	380-480 Volt; Models through 2/28/10
	70313602	Fuse Bracket	380-480 Volt; Models starting 3/1/10
22	70329401P	Fuse Holder Body	Includes nuts; 4 required for 1 Phase; 4 required for 3 Phase models with less than 380 Volts; 2 required for 3 Phase models with 380 Volts or higher
23	70406601	Fuse	3.5 Amp
24	70329501	Fuse Holder Cap	4 required for 1 Phase; 4 required for 3 Phase models with less than 380 Volts; 2 required for 3 Phase models with 380 Volts or higher
25	70406501	Fuse	1.25 Amp
26	M413544P	Fuse Holder	Includes nuts; 2 required for 380-480 Volt; Models through 2/28/10
	44155601P	Fuse Holder	2 required for 380-480 Volt; Models starting 3/1/10
27	44310001	Fuse	2 required for 380-480 Volt/3 Phase; 0.5 Amp
28	70406701	Fuse	1 required for 1 Phase; 2 required for 100-240 Volt/3 Phase; 2 Amp
29	70306901	Fuse Bracket	100-240 Volt

# Control Tray Harnesses for Electric Models

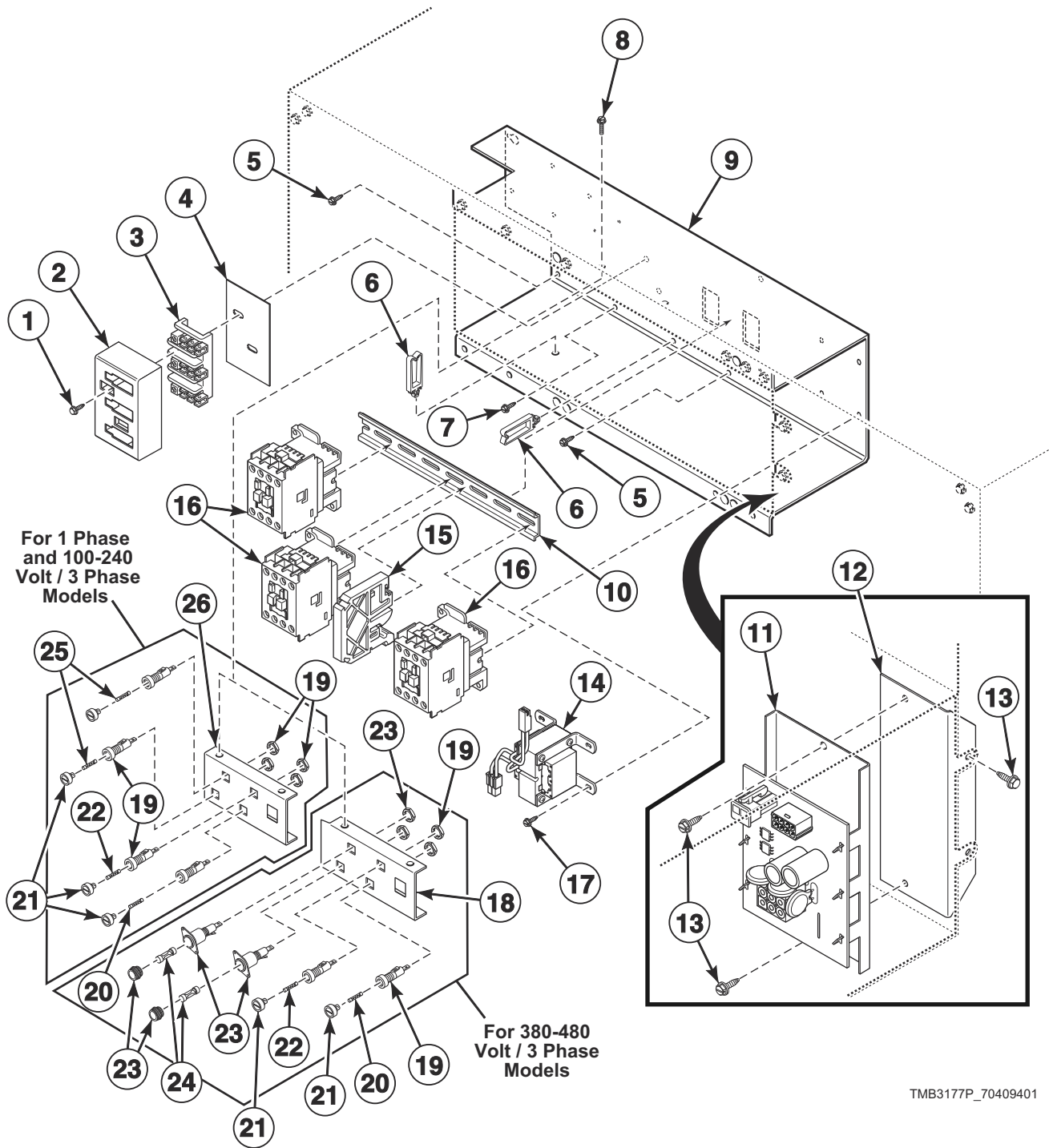


TMB3179P\_70409401

## Control Tray Harnesses for Electric Models

REF	PART NO.	DESCRIPTION	COMMENTS
1	70315801	Junction Box Harness	Models through 7/8/12
	70464701	Control Tray Harness	Models starting 7/9/12
2	70347701P	Power Harness	Models through 2/28/10; 1 Phase; Contactor
	70316101P	Power Harness	Models through 2/28/10; 3 Phase models with less than 380 Volts
	70332201	Power Harness	Models through 2/28/10; 3 Phase models with 380 Volts or higher
	70445501	Power Harness	Models starting 3/1/10 through 7/8/12; 1 Phase; Contactor
	70439001	Power Harness	Models starting 3/1/10 through 7/8/12; 3 Phase models with less than 380 Volts
	70438901	Power Harness	Models starting 3/1/10 through 7/8/12; 3 Phase models with 380 Volts or higher
	70469701	Power Harness	Models starting 7/9/12; Contactor; 1 Phase
	70464901	Power Harness	Models starting 7/9/12; 3 Phase models with less than 380 Volts
	70465001	Power Harness	Models starting 7/9/12; 3 Phase models with 380 Volts or higher
3	70320201	Motor Contactor Harness	Models through 2/28/10; 3 Phase
	44142601P	Motor Contactor Harness	Models starting 3/1/10 through 7/8/12; 3 Phase
	70469301	Motor Contactor Harness	Models starting 7/9/12; 3 Phase
4	70465301	Reversing Contactor Harness	Reversing models
5	M413863	Network Capacitor Assembly	3L, 3O, 3V, 3X, DO, DV, DX and OM control suffixes
6	70471901	Reversing Control Board Harness	3B, 3K, 3W, BB, BW and BZ control suffixes
7	M413505	Jumper Harness Assembly	120 Volt
	M413506	Jumper Harness Assembly	208 Volt
	M413507	Jumper Configuration Assembly	240 Volt
	M413508	Jumper Harness Assembly	380 Volt
	M413509	Jumper Harness Assembly	415 Volt
	M413510	Jumper Configuration Assembly	480 Volt
8	M413878	Network Capacitor Harness Assembly	Models through 7/8/12; 3O, 3V, 3X, DO, DV, DX and OM control suffixes
	44143401P	Network Capacitor Harness Assembly	Models starting 7/9/12; Also order 00177 Male Tab Terminal; 3L, 3O, 3V, 3X, DO, DV, DX and OM control suffixes

# Control Tray for Electric Models



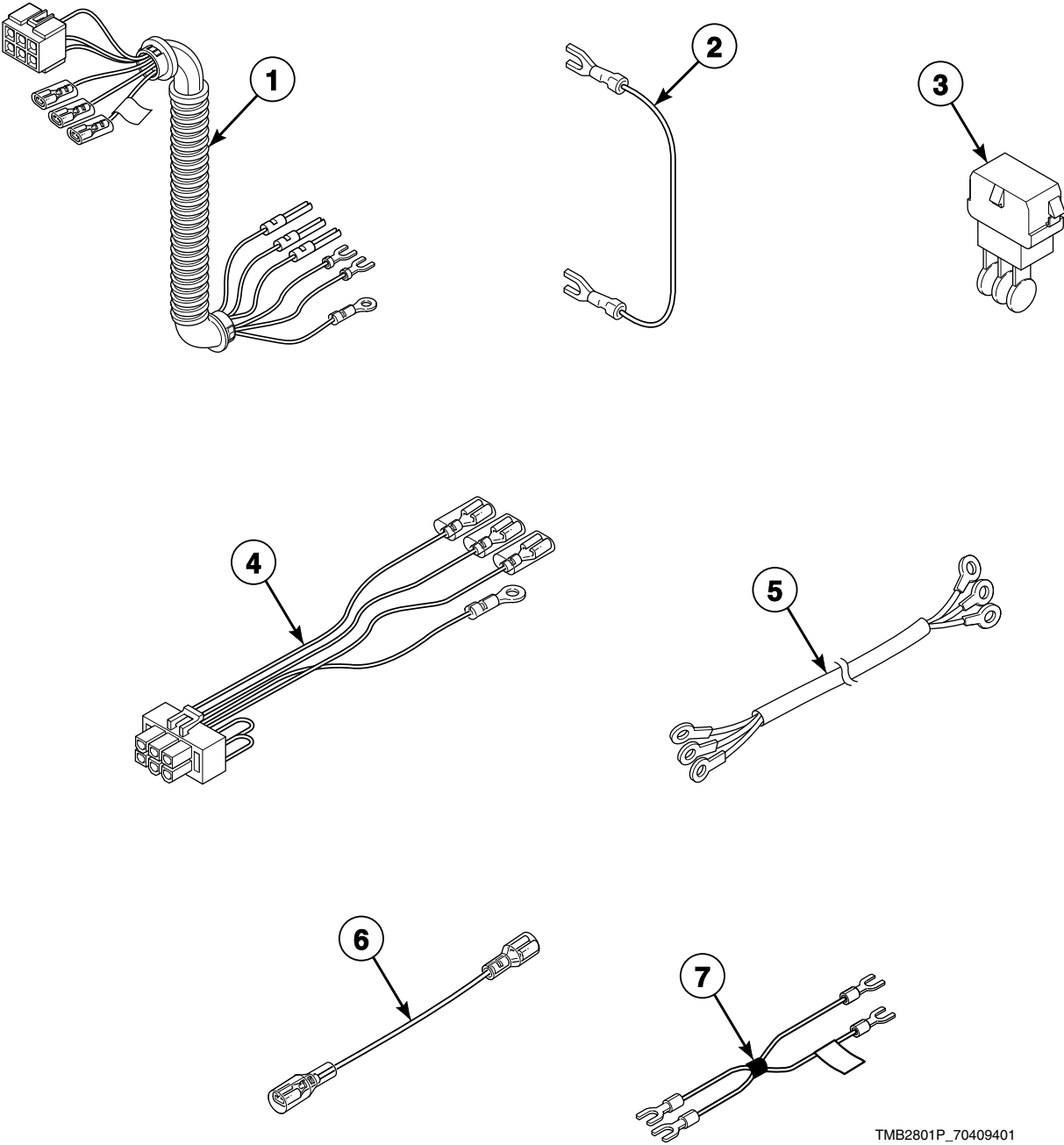
TMB3177P\_70409401



## Control Tray for Electric Models

REF	PART NO.	DESCRIPTION	COMMENTS
	70030501	Expansion Clip	4 required
	D501086	Screw	4 required for item 23
	M412096	Earth Terminal Sticker	
	44127701	Warning Label	Extended tumble; On control tray cover
1	51783	Screw	2 required
2	70333001	Terminal Block Shield	
3	430642	Terminal Block	
4	M413862	Insulator	
5	430497	Screw	
6	70366201	Wire Clip	
7	M402917	Screw	
8	51780	Screw	2 required
9	70469201	Control Tray	
10	M412693	Din Rail	
11	70469901	Reversing Control Assembly	3B, 3K, 3W, BB, BW and BZ control suffixes
12	70472601	Bracket	3B, 3K, 3W, BB, BW and BZ control suffixes
13	F8206901	Screw	4 required
14	M414228P	Transformer	100-240 Volt
	M414229P	Transformer	380-480 Volt
	M414230P	Transformer	120 Volt; Primary/secondary
	M414312P	Transformer	120 Volt; Dual secondary
	44074401	Transformer	440 Volt; Dual secondary
15	F330186P	Interlock Contactor	Reversing models
16	70323701P	Contactor	1 required nonreversing models; 3 required reversing models
17	M411072	Screw	4 required
18	70313601	Fuse Bracket	380-480 Volt; Models through 2/28/10
	70313602	Fuse Bracket	380-480 Volt; Models starting 3/1/10
19	70329401P	Fuse Holder Body	Includes nuts; 3 required for 1 Phase; 4 required for 3 Phase models with less than 380 Volts; 2 required for 3 Phase models with 380 Volts or higher
20	70406601	Fuse	3.5 Amp
21	70329501	Fuse Holder Cap	3 required for 1 Phase; 4 required for 3 Phase models with less than 380 Volts; 2 required for 3 Phase models with 380 Volts or higher
22	70406501	Fuse	1.25 Amp
23	M413544P	Fuse Holder	Includes nuts; 2 required for 380-480 Volt; Models through 2/28/10
	44155601P	Fuse Holder	2 required for 380-480 Volt; Models starting 3/1/10
24	44310001	Fuse	2 required for 380-480 Volt/3 Phase; 0.5 Amp
25	70406701	Fuse	1 required for 1 Phase; 2 required for 100-240 Volt/3 Phase; 2 Amp
26	70306901	Fuse Bracket	

# Accessory Box Harnesses for Electric Models

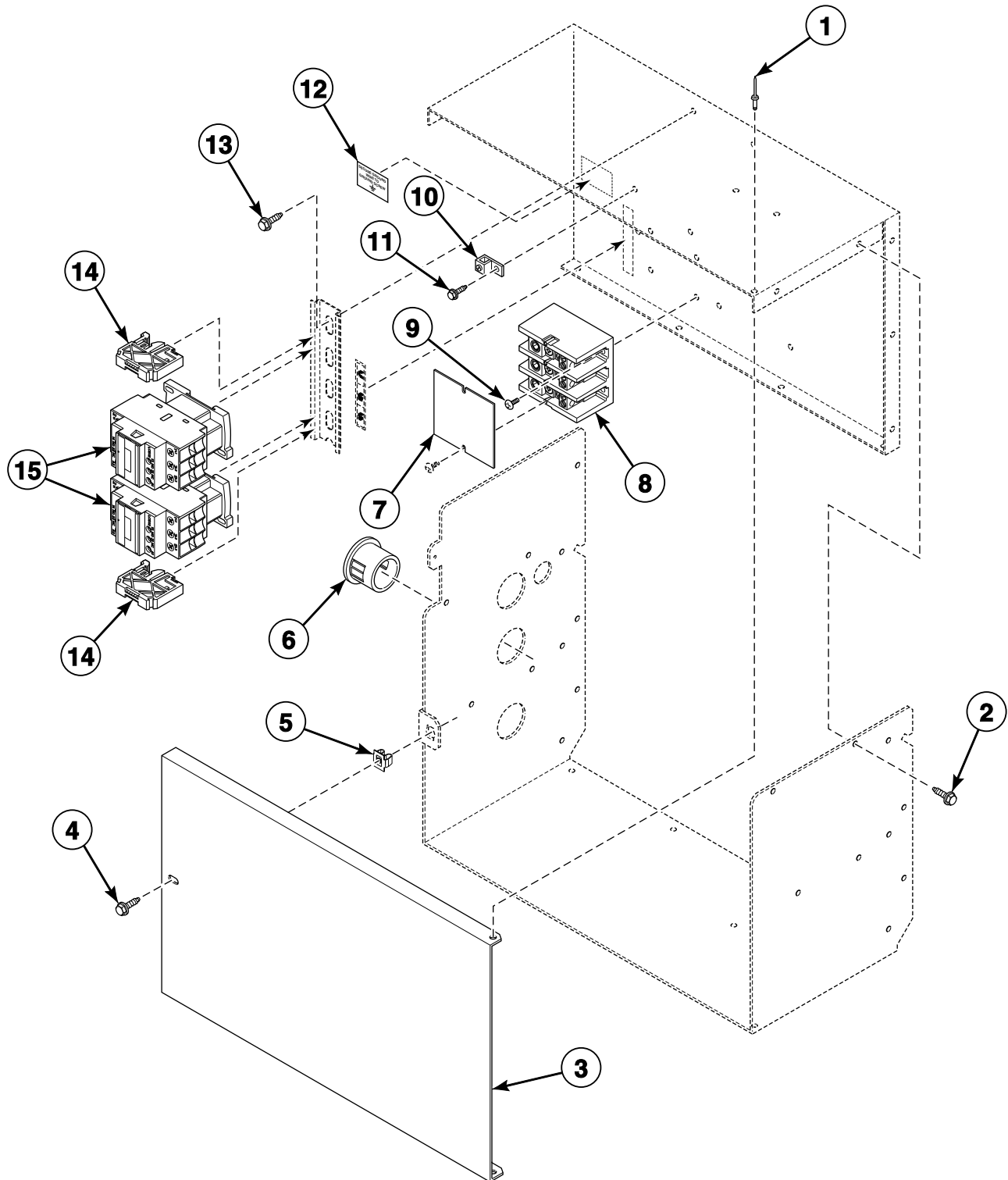


TMB2801P\_70409401

## Accessory Box Harnesses for Electric Models

REF	PART NO.	DESCRIPTION	COMMENTS
1	70335501P	Electric Power Buss Harness	Models through 2/28/10
	70439601	Electric Power Buss Harness	Models starting 3/1/10
2	M413933	Jumper Cable Assembly	Non-CE models; 8 gauge; 7.5 inches; 2 required for 1 Phase; 3 required for 3 Phase
	M413934	Jumper Cable Assembly	8 gauge; 8 inches; 1 required for 1 Phase; 3 required for 3 Phase
	M414121	Jumper Cable Assembly	CE models; 8 gauge; 6.75 inches; 6 required for 3 Phase models with less than 380 Volts
3	M413863	Network Capacitor Assembly	3L, 3O, 3V, 3X, DO, DV, DX and OM control suffixes
4	70286501	Network Capacitor Harness Assembly	Models through 7/8/12; 3O, 3V, 3X, DO, DV, DX and OM control suffixes
	44152001	Network Capacitor Harness Assembly	Models starting 7/9/12; 3L, 3O, 3V, 3X, DO, DV, DX and OM control suffixes
5	70371301P	Cable Set Heater Assembly	H1-H3
	70371401P	Cable Set Heater Assembly	H4-H6; Models with less than 380 Volts
6	70139001	Jumper Assembly	Non-CE models; 8 gauge; 10 inches; 2 required for 1 Phase; 3 required for 3 Phase models with less than 380 Volts
	70139101	Jumper Assembly	Non-CE models; 8 gauge; 11 inches; 1 Phase
	70138801	Jumper Assembly	CE models; 6 gauge; 8 inches; 3 required for 3 Phase
	70138901	Jumper Assembly	CE models; 2 gauge; 7.5 inches; 2 required for 1 Phase
	44014601	Jumper Wire	CE models; 8 gauge; 6.25 inches; 3 required for 3 Phase models with less than 380 Volts
	44014701	Jumper Wire	CE models; 8 gauge; 10.5 inches; 2 required for 1 Phase; 3 required for 3 Phase models with less than 380 Volts
7	70355801P	Electric Contactor Jumper Set	Models with less than 380 Volts
		Harness	

# Accessory Box for Non-CE Electric Models

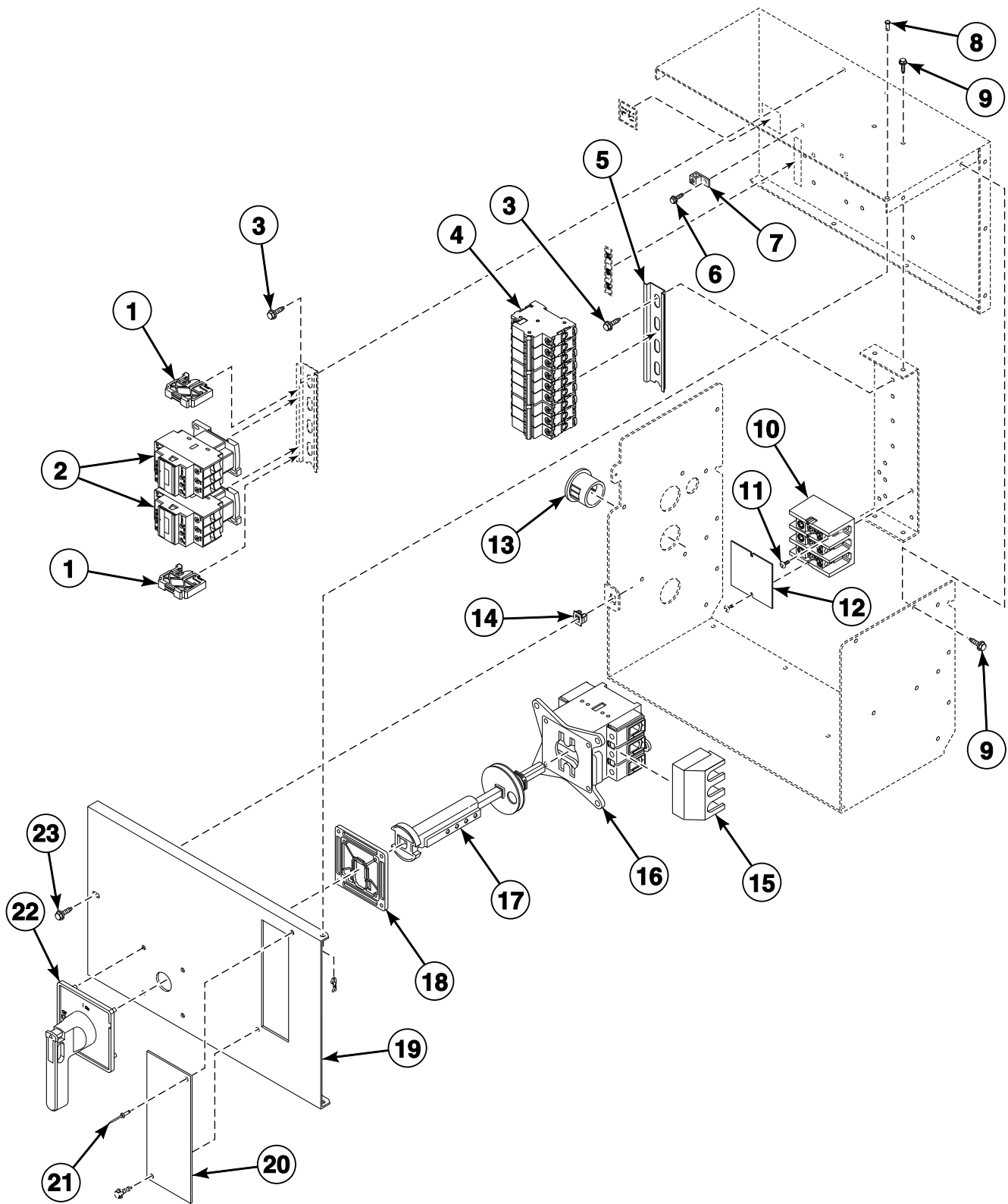


TMB2538P\_70409401

## Accessory Box for Non-CE Electric Models

REF	PART NO.	DESCRIPTION	COMMENTS
	M413930P	Ferrite Core Assembly	3L, 3O, 3V, 3X, DO, DV, DX and OM control suffixes
	44127701	Warning Label	Extended tumble; Use on item 3
<b>1</b>	70058502	Pop Rivet	2 required
<b>2</b>	430497	Screw	11 required
<b>3</b>	70358401	Accessory Box Cover	
<b>4</b>	33562	Screw	
<b>5</b>	70030501	Expansion Clip	
<b>6</b>	M402542	Snap Bushing	2 required
<b>7</b>	44014901P	Power Distribution Block Cover	
<b>8</b>	M413865	Terminal Block	3 pole
<b>9</b>	39733	Screw	6 required
<b>10</b>	M411283	Ground Lug Connector	
<b>11</b>	M402917	Screw	
<b>12</b>	M403047	Secure Ground Label	
<b>13</b>	51780	Screw	6 required
<b>14</b>	70121001	End Stop	2 required
<b>15</b>	70343301P	Contactora	2 required for models with less than 380 Volts; 1 required for models with 380 Volts or more

# Accessory Box for CE Electric Models



TMB2539P\_70409401

## Accessory Box for CE Electric Models

REF	PART NO.	DESCRIPTION	COMMENTS
	M413930P	Ferrite Core Assembly	3L, 3O, 3V, 3X, DO, DV, DX and OM control suffixes
	44127701	Warning Label	Extended tumble; Use on item 20
	44314401	Time Delay Interlock Kit	
<b>1</b>	70121001	End Stop	2 required
<b>2</b>	70343301P	Contactors	2 required
<b>3</b>	51780	Screw	14 required
<b>4</b>	M412401	Circuit Breaker	1 Phase
	M412407P	Circuit Breaker	3 Phase
	70256901P	Circuit Breaker	1 required for 1 Phase; 2 required for 3 Phase
<b>5</b>	M412693	Din Rail	
<b>6</b>	M402917	Screw	
<b>7</b>	M411283	Ground Lug Connector	
<b>8</b>	70058502	Pop Rivet	2 required
<b>9</b>	430497	Screw	11 required
<b>10</b>	M413865	Terminal Block	3 pole
<b>11</b>	39733	Screw	4 required
<b>12</b>	44014901P	Power Distribution Block Cover	
<b>13</b>	M402542	Snap Bushing	2 required
<b>14</b>	70030501	Expansion Clip	
<b>15</b>	M412367	Finger Guard	Models through 7/31/11
<b>16</b>	M412186	Mounting Switch Base	Models through 7/31/11
<b>17</b>	M412371P	Extension Handle	Models through 7/31/11
<b>18</b>	M412369	Door Interlock	Models through 7/31/11
<b>19</b>	70358402	Accessory Box Cover	
<b>20</b>	70133901	Electrical Box Access Cover	
<b>21</b>	70058501	Pop Rivet	2 required
<b>22</b>	70268001	Handle	Models through 7/31/11
<b>23</b>	33562	Screw	3 required





# Parts Index

## A

Access Panel Trim 70399405 .....	69
Accessory Box Cover 70358401 .....	131
70358402 .....	133
Adapter 70131901 .....	105
Adjustable Buzzer D505447 .....	21
Air Filter 70036001 .....	109
Airflow Switch and Arm Bracket 70319601 .....	97
Airflow Switch Arm 70319401 .....	97
Airflow Switch Cover 70356601 .....	97
70465701 .....	97
Airflow Switch Vane 70319201 .....	97
Airflow Switch Wrapper 70356101 .....	97
Anti-Rattle Burner Assembly 70546701 .....	99

## B

Bearing Housing Bracket 70021401 .....	95
Belt 70276205P .....	87, 89
Belt Access Cover 70466001 .....	89
Belt Tension Tool Kit M4853P3 .....	87
Blower Assembly 70359801P .....	91
Blower Motor 70337501P .....	91
70342601P .....	91
Blower Motor Kit 70337601P .....	91
70337701P .....	91
Blower Motor Mounting Plate 70349601 .....	91
Bolt 70062401 .....	87, 89
70467501 .....	89
Bracket 44065901 .....	85
44263501 .....	19
70472601 .....	113, 117, 121, 123, 127
Bumper Pad 56128 .....	113, 115
Burner Grill 70188801 .....	99

Burner Orifice M400995 .....	103
M400997 .....	103
M400998 .....	103
M401000 .....	103
M401003 .....	103
M401011 .....	103
M401014 .....	103
M401017 .....	103
M401021 .....	103
M401022 .....	103
M402489 .....	103
M402980 .....	103
M403017 .....	103
M406184 .....	103
M411375 .....	103
M411512 .....	103
44254001 .....	103

Bushing 44239501 .....	89
70346501 .....	81
Buzzer Kit M4860P3 .....	17
Bypass Harness 70364103 .....	17, 19, 23, 29, 37, 43, 51, 53, 55

## C

Cable Set Heater Assembly 70371301P .....	107, 129
70371401P .....	107, 129
Cam and Hinge Kit M4772P3 .....	61
M4773P3 .....	61
Card Reader and Bracket Assembly D510068P .....	37
Card Reader Harness Assembly 70211801 .....	37
Card Reader Network Harness Assembly 70206601 .....	37
Card Reader Overlay 70334201 .....	29
70334301 .....	29, 51
Center Cylinder Seal Assembly 70066004 .....	79
Center Pan 70252401 .....	81
Center Partition 70252601 .....	81
Central Pay Harness 70484601 .....	27, 41, 49
70491501 .....	19
Central Pay Interface Control Assembly 209/00471/75 .....	19
Circuit Board Support D501523 .....	85
Circuit Breaker M412401 .....	133
M412407P .....	133
70256901P .....	133

N/A items do not appear in index.

Clevis Pin 70389201 .....	109	Contact Block Switch F200233401P .....	71
Coin Box F160673P .....	69	Contact Switch F8069501 .....	71
Coin Chute Assembly 70296401 .....	69	Contactor 70323701P .....	113, 115, 121, 123, 127
Coin Cover Overlay 70246301 .....	25, 49	70343301P .....	131, 133
Coin Drop 38963P .....	31	Control 44063801P .....	85
39748 .....	31	Control Assembly D511867P .....	25, 29
70256402P .....	31	D512199P .....	15
70429001 .....	31	D512202P .....	17
70441601P .....	31	D513139P .....	15
Coin Drop Assembly CK114 .....	31	D514273P .....	25, 29
CK123 .....	31	70434101P .....	53, 55
210195 .....	31	70437102P .....	55
210196 .....	31	70437103P .....	55
38462P .....	31	70437104P .....	55
38463 .....	31	70437105P .....	55
38464P .....	31	70450501P .....	41, 43
38467 .....	31	70450502P .....	49, 51
38472 .....	31	70450503 .....	41, 43
38475 .....	31	70450504 .....	49, 51
38519 .....	31	70454001P .....	53
38521 .....	31	70454101P .....	55
39157 .....	31	70462301P .....	19
44039701P .....	21	70462302P .....	19
44039702 .....	21	70462361P .....	19
44039703 .....	21	70462362P .....	19
44039704 .....	21	70462369 .....	19
44039705 .....	21	70503101P .....	17
44039706 .....	21	70503702P .....	55
44039707 .....	21	Control Box Base 44065301 .....	85
70441602 .....	31	Control Box Cover 44065201 .....	85
70447301 .....	31	Control Box Housing 44065101 .....	85
70471601 .....	31	Control Box Top 44065401 .....	85
70482401 .....	31	Control Chassis Mounting Bracket 70357901 .....	15, 17
Coin Drop Kit CK077 .....	31	Control Door Assembly 70363401 .....	15
CK122 .....	33	Control Harness 70426501P .....	85
Coin Drop Overlay 39564 .....	25, 41	Control Housing Cover 70307002 .....	45
Coin Identification Paper 38725 .....	31	Control Kit D505905P .....	35, 37
Coin Vault Assembly 70180101 .....	69	70228401P .....	23
Coin Vault Switch Harness 70364104P .....	15, 19, 27, 35, 41, 49, 69	Control Overlay 70410001 .....	41
Coin Vault Trim 70117501 .....	69	70410002 .....	41
70117502 .....	69	70449501 .....	41
Communication Board 210095P .....	47	70473001 .....	49
210097 .....	47	70473002 .....	49
Communication Connector 210099 .....	47	70473003 .....	51
Communication Wire Harness Assembly 800246 .....	39, 45	Control Panel 70121501B .....	63
Compression Spring 70467601 .....	89	70121501* .....	63
Contact Base F8538101 .....	71	70121502 .....	63
Contact Block 44018701 .....	71	70121505* .....	63
		70121506 .....	63
		70121507DG .....	63

N/A items do not appear in index.

70121508	63
70121509	63
70273301*	63
70273302	63
70273303*	63
70273304	63
70273305*	63
70273306	63
70273307B	63
70273308B	63
70273309LG	63
70273310	63
70273311*	63
70273313	63
70273314	63
Control Panel and Door Hinge Kit	
M4774P3	57, 59, 61, 63, 67
Control Panel Harness	
44240301	53, 55
70315501P	27, 29, 35, 37
70335301P	23
70367001P	17
70368001P	27, 29, 35, 37
70369001	15
70382701P	23
70398401	15
70410401P	41, 43, 49, 51
70485301	19
70489901	19
Control Plate and Studs Assembly	
70440901	55
Control Plate Assembly	
44040901	21
44041001	21
70175805	23
70175806	23
70175807	25, 35
70336501	51
70348801	29, 37, 43
70360601	17
70475601	53
Control Plate Kit	
44050701P	19
70291001P	41, 49
Control Set	
70370001	15
70370101P	15
70370201P	17
Control Tray	
70469201	113, 115, 121, 123, 127
Control Tray Harness	
70464701	111, 119, 125
Control Trim	
44016301	69
44016401	69
Cylinder and Trunnion Assembly	
70443701	77
70443702	77
70443703	77
Cylinder Assembly	
70372801P	77
70372802P	77
70372803	77
Cylinder Bearing Stud Plate Assembly	
430352	79
Cylinder Guide Tool	
263P4	79

Cylinder Idler Arm	
70259901	87
Cylinder Motor Harness Assembly	
70401001	79, 87
70401101	79, 87
70439701	79, 87
70440101	79, 87
70465801	79, 89
Cylinder Rib Assembly	
70433003	77
Cylinder Shroud	
70427201	81
70427202	81

## D

Damper and Hinge Exhaust Assembly	
70209501	91
Din Rail	
M412693	113, 115, 121, 123, 127, 133
DIN Valve Adapter Kit	
F8382301	109
Direct Air Kit	
70522701P	99
70522801P	107
Display Assembly	
D512218P	17
Door Assembly	
44046701	57
44058001P	57
44058004P	57
44287801B	57
44287801LGP	57
70064100	57
70212200	57
70212300	57
70212301	57
70212302	57
70408901	57
70496501	57
70496502P	57
Door Catch Assembly	
D510177	75
Door Glass	
M400784P	59
70133601P	59
Door Glass Installation Tool	
M4221P4	59
Door Glass Seal Kit	
70211901P	59
Door Handle	
M400133	59
430117	59
44007902P	59
44057701	59
44263801	59
Door Handle Replacement Kit	
70566701	59
Door Handle Wedge	
D510129	75
Door Hinge	
70116003*	61
70116004	61
70116005B	61

N/A items do not appear in index.

70116005LG.....	61
70116006 .....	61
Door Hinge Lug Assembly	
44035001 .....	61, 75
44035002 .....	61
Door Interlock	
M412369 .....	133
Door Latch	
M401223 .....	69
Door Pull and Wedge Kit	
D510103LP .....	75
Door Ring	
70505707B.....	59
Door Ring and Handle Assembly	
44043501 .....	59
44287701B.....	59
70543907LG .....	59
Door Ring Assembly	
70505709B.....	59
70505712 .....	59
70505713P.....	59
70543901 .....	59
70543902 .....	59
Door Ring Gasket	
70296801 .....	59
Door Strike	
D510181 .....	75
Door Switch Actuator Kit	
70215001P.....	61
Double Ended Stud	
70334701 .....	87
Drive Access Cover	
70196301 .....	91
70202501 .....	87
Drive Motor	
70337801P.....	87
70338101P.....	87
70459001P.....	89
Drive Motor Kit	
70337901P.....	87
70338001P.....	87
Drive Motor Plate	
44261401 .....	89
Drive Rivet	
M400713 .....	85
Drum Idler Spring	
70045301 .....	87
Drywall Screw Magnet Kit	
70343101P.....	77, 79

## E

Earth Terminal Sticker	
M412096 .....	115, 117, 123, 127
Elbow	
70079601 .....	105
70208701 .....	101
70428101 .....	83
Electric Contactor Jumper Set Harness	
70355801P.....	129
Electric Power Buss Harness	
70335501P.....	129
70439601 .....	129

Electrical Box Access Cover	
70133901 .....	133
Electronic Coin Drop Assembly	
70294103P .....	31
70294104 .....	31
70294105P .....	31
70294106 .....	31
70294107 .....	31
70294111 .....	31
70294116 .....	31
70294117.....	31
70294119.....	31
70294120 .....	31
70294121 .....	31
Electronic Coin Drop Harness	
44065801 .....	31
Electronic Coin Drop Kit	
CK099 .....	33
CK100 .....	33
CK101 .....	33
CK103 .....	33
CK108 .....	33
CK109 .....	33
CK113 .....	33
CK115.....	33
CK116.....	33
CK117 .....	33
CK118.....	33
CK119.....	33
CK120 .....	33
CK121 .....	33
Electronic Control	
44037801P .....	21
Electronic OPL Control Kit	
M4689P3 .....	23
M4695P3 .....	23
Emergency Stop Contact Harness	
70364105P .....	71
Emergency Stop Harness	
70364106P .....	71
Emergency Stop Label	
44012901 .....	71
Emergency Stop Pushbutton	
F200233500 .....	71
End Cap	
70070101 .....	77
70070102 .....	77
End Stop	
70121001 .....	131, 133
Ethernet Gateway Kit	
NK320 .....	41, 43, 49, 51, 53
Exhaust Adapter	
70478001 .....	91
Exhaust Thimble	
70017801 .....	91
Expansion Clip	
70030501 .....	69, 113, 115, 117, 121, 123, 127, 131, 133
Extension Handle	
M412371P .....	133
70342501P .....	115, 123

N/A items do not appear in index.

---

**F**

False Front	
70000501*P .....	67
70000502 .....	67
70000503DG .....	67
70000503LG .....	67
70000504 .....	67
70024202P .....	67
70024203DG .....	67
70024203LG .....	67
70024204 .....	67
False Front Assembly	
70024201*P .....	67
Fan Motor Harness Assembly	
70401201 .....	91
70401301 .....	91
70439801 .....	91
70440201 .....	91
Ferrite Core Assembly	
M413930P .....	23, 131, 133
Fill Hose Kit	
38349P .....	85
Filter	
70429401 .....	109
Finger Guard	
M412366 .....	115, 123
M412367 .....	133
Fire Suppression System Label	
44128901 .....	65
Flat Top	
70059801 .....	81
Foam Gasket	
70414101 .....	15, 17, 19, 21, 23, 25, 29, 35, 37, 41, 43, 49, 51
Front Pane Assembly	
44116101P .....	65
Front Panel	
70329715DG .....	65
70329715LG .....	65
70329716DG .....	65
70329716LG .....	65
70329717DG .....	65
70329718DG .....	65
70329719DG .....	65
Front Panel Assembly	
44115401*P .....	65
44115502 .....	65
44115601* .....	65
44115702 .....	65
44115801* .....	65
44115901 .....	65
44115902 .....	65
44116001* .....	65
44116201*P .....	65
44116301 .....	65
44116302 .....	65
Front Panel Seal	
70173401P .....	65
Fuse	
44310001 .....	113, 117, 121, 123, 127
70406501 .....	23, 113, 117, 121, 123, 127
70406601 .....	113, 117, 121, 123, 127
70406701 .....	113, 117, 121, 123, 127

Fuse Bracket	
70306901 .....	113, 117, 121, 123, 127
70313601 .....	113, 117, 121, 123, 127
70313602 .....	113, 117, 121, 123, 127
Fuse Holder	
M413544P .....	113, 117, 121, 123, 127
44155601P .....	113, 117, 121, 123, 127
Fuse Holder Body	
70329401P .....	113, 117, 121, 123, 127
Fuse Holder Cap	
70329501 .....	113, 117, 121, 123, 127

---

**G**

Gas Burner	
70229801P .....	99
Gas Disconnect Harness	
70342101 .....	111, 119
70440501 .....	111, 119
Gas Line Assembly	
70271201 .....	101
Gas Shut-Off Valve	
M412562P .....	105
Gas Valve	
44154501P .....	101
44154502P .....	101
Gas Valve and E-Clip Kit	
44257501 .....	105
Gas Valve Bracket	
70233301 .....	105
70429801 .....	101
Gas Valve Coil	
70260101 .....	105
Gas Valve Cover	
70381001 .....	99
70429901 .....	99, 101
Gas Valve Harness	
70184001 .....	105
Gas Valve Harness Assembly	
M413650 .....	105
Gasket	
70247601 .....	75
70392701P .....	91
Graphic Overlay	
44050501 .....	19
44050502 .....	19
44239401 .....	19
44239402 .....	19
44239403 .....	19
44240501 .....	19
Ground Lug Connector	
M411283 .....	131, 133

---

**H**

Hairpin Cotter	
70389301 .....	109
Handle	
70268001 .....	133
Handle and Caps Assembly	
70154401 .....	73
70154402 .....	73

N/A items do not appear in index.

Handle Bar	
70399502B .....	59
Handle Bumper	
70407205 .....	73
70407207 .....	73
Harness Assembly	
M412997 .....	101, 109
Heat Exchanger	
70491801 .....	99, 107
Heater Element	
70034413P .....	107
70034414P .....	107
70034415P .....	107
70034416P .....	107
70034417 .....	107
70034418P .....	107
High Voltage Lead	
70006201 .....	111
High Voltage Suppression Cable	
44239702 .....	111
Hinged Door	
70267701*P .....	75
Hold-Down Clip	
35865 .....	81
Hole Plug	
44024201 .....	59
70063201 .....	81
Hose	
44073304 .....	85
Hose Clamp	
36801 .....	85
Hose Fitting	
44069101 .....	85

## I

ICM Reset Label	
70411001 .....	115, 117
Idler Bracket	
70443301 .....	87
Idler Holder	
70464501 .....	89
Idler Spacer	
70464601 .....	89
Idler Wheel Assembly	
70050401P .....	87, 89
Igniter Cover	
70159601 .....	99
Ignition Control	
70458601P .....	113
70483201P .....	115
Ignition Control Harness	
44136601P .....	111
44186701 .....	111
44186901 .....	111
Ignition Control Kit	
70492701 .....	113
70492801 .....	115
Insulator	
M413862 .....	113, 115, 121, 123, 127
Interlock Contactor	
F330186P .....	113, 115, 121, 123, 127

N/A items do not appear in index.

## J

Jumper Assembly	
70138801 .....	129
70138901 .....	129
70139001 .....	129
70139101 .....	129
Jumper Bar	
70066501 .....	107
Jumper Cable Assembly	
M413933 .....	129
M413934 .....	129
M414121 .....	129
Jumper Calibration Assembly	
70084303 .....	23
Jumper Calibration Wire	
70324601 .....	15, 17, 27, 29, 35, 37, 41, 43, 49, 51, 53, 55
Jumper Configuration Assembly	
M413507 .....	111, 119, 125
M413510 .....	111, 119, 125
Jumper Disconnect Assembly	
70120901 .....	111, 119
Jumper Harness Assembly	
M413504 .....	111, 119
M413505 .....	111, 119, 125
M413506 .....	111, 119, 125
M413508 .....	111, 119, 125
M413509 .....	125
Jumper Strip	
M400869 .....	107
Jumper Wire	
44014601 .....	129
44014701 .....	129
44014801 .....	129
70066601 .....	107
Junction Box Harness	
70315801 .....	111, 119, 125

## K

Key	
70144101 .....	91
70155601 .....	69
70155602 .....	69
Kickplate	
70117601 .....	73
70117602 .....	73

## L

Label	
44108201 .....	65
44190901 .....	65
70414001 .....	59
Leveling Leg	
34319 .....	81
Light	
801431 .....	15
801432 .....	85
Limit Thermostat	
M410542 .....	99, 107

M411307 .....	91
70299001 .....	99
Lint Panel	
70114903LG .....	73
70114904DG .....	73
70114905 .....	73
70114906 .....	73
70114907 .....	73
Lint Panel Assembly	
70176601*P .....	73
70176602P .....	73
70176604 .....	73
70176605* .....	73
70176606 .....	73
70176607* .....	73
70176608 .....	73
70176609* .....	73
70176610 .....	73
70176611* .....	73
70176612 .....	73
Lint Panel Gasket	
70289101P .....	73
Lint Panel Switch Bracket	
70277301 .....	81
Lint Screen	
70325601 .....	81
Lint Screen Clip	
70054501 .....	81
Lint Switch Bracket Assembly	
70283701 .....	75
Lock Shim	
70342401 .....	69
Lock, Key and Nut Kit	
44089301P .....	69, 85
44089302P .....	69
Lower Rear Panel	
70290101 .....	91
L.P. Conversion Kit	
K555 .....	105
M4699P3 .....	101, 105
L.P. Valve	
44154504 .....	101, 105
70457302P .....	105
L.P. Valve Conversion Kit	
M405434P .....	105

## M

Main Harness	
70441301 .....	17, 23, 27, 29, 41, 43, 53, 55
70467801 .....	15, 17, 23, 27, 29, 35,
.....	37, 41, 43, 49, 51, 53, 55
Male Tab Terminal	
00177 .....	15, 17, 21
Manual Reset Thermostat	
M411945 .....	91
70186301 .....	99
Membrane Switch	
D510036P .....	25, 29, 35, 37
M414368P .....	23
44037901P .....	21
44039402P .....	21
Mixing Valve	
36958P .....	85

Mixing Valve Shield Bracket	
44065701 .....	85
Moisture Sensor Harness Assembly	
70448901 .....	93
Moisture Sensor Test Wires	
70468901 .....	93
Motor Bracket	
70464101 .....	89
Motor Capacitor	
M410296 .....	87
70211401 .....	87
70211501 .....	91
70211502 .....	87
Motor Channel	
70261701 .....	87
Motor Conduit Mounting Bracket	
70321701 .....	87, 91
Motor Contactor Harness	
44142601P .....	111, 119, 125
70320201 .....	111, 119, 125
70469301 .....	111, 119, 125
Motor Mount Bracket	
70127301 .....	87
Motor Plate Cover	
70464201 .....	89
Motor Pulley	
70284202 .....	87
70284204 .....	87
70457401 .....	89
70457403 .....	89
Mounting Bracket	
70063501 .....	23
Mounting Plate	
70208801 .....	29, 37, 43, 51
Mounting Switch Base	
M412186 .....	133
M412187P .....	115, 123

## N

Nameplate	
B12389801 .....	69
F8443102 .....	69
44046801 .....	69
44062901 .....	69
44129901 .....	69
70243901 .....	69
70509601 .....	69
70522001 .....	69
Nameplate Overlay	
44104501 .....	69
44130101 .....	69
44144401 .....	59, 69
70115601 .....	69
70380701 .....	69
70410201 .....	69
70411401 .....	69
70460801 .....	69
Network Board	
210157P .....	47
Network Board Assembly	
201341 .....	45
210016P .....	39

N/A items do not appear in index.

Network Cable	
210165 .....	47
Network Capacitor Assembly	
M413863 .....	111, 119, 125, 129
Network Capacitor Harness Assembly	
M413878 .....	111, 119, 125
44143401P .....	111, 119, 125
44152001 .....	129
70286501 .....	129
Network Controller Kit	
NK220 .....	41, 43, 53
Network Plug Support	
70201401 .....	39
Network Retrofit Kit	
NK206 .....	41, 43, 53
Network Wire Harness Assembly	
44088501P .....	45
800217 .....	39
Nozzle Bracket	
70424201 .....	83
70428601 .....	83
Nut	
F431025 .....	89
M400022 .....	79, 91
M400034 .....	79, 91, 95
M400035 .....	93
M404993 .....	81
M412986 .....	79, 87, 89
M414215 .....	59
21899 .....	81
23951 .....	73
24205 .....	15, 17
27222 .....	87, 89
29786 .....	15
29787 .....	17, 19, 21
29796 .....	87
430576 .....	81
44071201 .....	59
44087201 .....	77
44088801 .....	69
51236 .....	73
56156 .....	87
70054 .....	15, 17, 23, 25, 29, 35, 37, 41, 49, 53, 55, 59, 107
70466601 .....	89
N.G. Valve	
44154503 .....	101, 105
70457301P .....	105

## O

Opto Coupler	
200674P .....	31
Orifice Adapter	
70379301 .....	101
Orifice Holder Bracket	
70248901 .....	101
Orifice Keeper Bracket	
70249001 .....	101
O-Ring	
431482 .....	105
Output Bracket	
70440601 .....	53
Output Harness	
44186101 .....	53, 55

Overlay	
44130002 .....	23
44147801 .....	35
70115801 .....	23
70128701 .....	23
70129501 .....	25
70129601 .....	25
70130401 .....	23
70130601 .....	23
70184301 .....	35
70184302 .....	35
70184401 .....	37
70257701 .....	25
70257702 .....	25
70257703 .....	29
70258001 .....	25
70258002 .....	25
70258003 .....	29
70258101 .....	25
70259001 .....	25
70261001 .....	25
70261002 .....	25
70261003 .....	29
70261201 .....	25
70261202 .....	25
70286701 .....	25
70321001 .....	25
70362201 .....	17
70362202 .....	17
70362401 .....	17
70362402 .....	17
70362501 .....	17
70362502 .....	17
70362901 .....	15
70363001 .....	15
70410003 .....	43
70432201 .....	53
70445001 .....	55
70445002 .....	55
70445003 .....	55
70445004 .....	55
70453001 .....	25
70453002 .....	25
70453101 .....	29
70462401 .....	55
70462402 .....	55
70462701 .....	55
70462702 .....	55
70462901 .....	55
70462902 .....	55
70472201 .....	55
70472202 .....	55
70472401 .....	55
70472402 .....	55
70491901 .....	25
70491902 .....	25
70491903 .....	29
70493701 .....	55
70493702 .....	55
70494001 .....	17
70494002 .....	17
70499001 .....	53
70504501 .....	49
70504502 .....	49
70504503 .....	51
70504601 .....	49
70504602 .....	49
70504603 .....	51
70504701 .....	17

N/A items do not appear in index.



70504702	17
70504901	55
70504902	55
70505201	25
70505202	25
70508601	55
70508602	55
70508701	25
70509701	29
70510501	25
70510601	25
70510701	25
70510801	25
70510901	25
70511001	29
70526001	55
70526002	55

## P

Panel	
70255801*P	75
70278001*P	75
Panel Locator	
56079	17, 69, 73
PC Board Standoff	
210098	47
Pin	
70071401	61
Pipe Clip	
70203701	99
Pipe Nipple	
70139601	105
901403	105
Pop Rivet	
M405750	101
44166601	69
70058501	61, 81, 109, 133
70058502	131, 133
70126301	73
70126401	73
70412601	59
Porcelain Touch-Up Paint	
122P4P	81
215P4P	81
370P4P	81
Power Distribution Block Cover	
44014901P	131, 133
Power Harness	
70316101P	111, 119, 125
70332201	111, 119, 125
70347701P	111, 119, 125
70438901	111, 119, 125
70439001	111, 119, 125
70445501	111, 119, 125
70464901	111, 119, 125
70465001	111, 119, 125
70469701	111, 119, 125
Primary Air Adjustment Sleeve	
70239801	101, 105
Pushbutton	
44018801	71
Pushbutton Switch	
M413431	117
70413301	25, 29, 35, 37, 41, 43, 49, 51, 69

Push-to-Start Switch	
801434W	85

## R

RC Filter Kit	
M4457P3	23
Rear Bearing Shim	
70355001	79
Rear Cylinder Bearing Housing	
70013901	79
Rear Cylinder Channel	
70257301	77
70257302	77
Rear Cylinder Channel Plate	
70257401	77
Rear Cylinder Seal	
70013702	79
Rear Cylinder Seal Support	
70506401	79
Rear Lint Panel	
70320001	73
Relay	
M412534	21, 23
Relay/Buzzer Bracket	
44041701	21
Replacement Door Handle Kit	
70133501P	57, 59
Replacement Gas Valve Kit	
M4969P3	101
M4971P3	101
Reversing Contactor Harness	
70465301	111, 119, 125
Reversing Control Assembly	
70469901	113, 117, 121, 123, 127
Reversing Control Board Harness	
70471901	111, 119, 125
Rocker Switch	
70455101	15, 17
70461301	17
Roller and Seal Kit	
70568201	81
Roller Catch Arm	
70030301	73
Roller Catch Spacer	
70030201	73
Roller Catch Wheel	
70297601	73
Roller Seal	
70443601	81
Roller Shaft	
70249501	81
Roller Support Bracket	
70328301	81
Rotation Sensor	
F8066201	95
Rotation Sensor Bracket	
44044401	95
Rotation Sensor Cover	
44044301	95
Rotation Sensor Harness	
F8066401	95

N/A items do not appear in index.

70476101 .....	95
Rotation Sensor Kit	
7009P .....	95

## S

### Screw

D501086 .....	117, 121, 123, 127
D501524 .....	15, 17, 25, 29, 35, 37, 41, 43, 49, 51, 53, 55, 61
D503661 .....	45
F8206901 .....	113, 117, 121, 123, 127
F8368701 .....	89
M400043 .....	89
M400056 .....	87
M400057 .....	89
M400661 .....	59
M402797 .....	21, 23
M402917 .....	113, 115, 121, 123, 127, 131, 133
M405188 .....	99
M409385 .....	59
M411072 .....	91, 113, 115, 121, 123, 127
M412985 .....	87
05161 .....	99
23222 .....	87, 91, 105
33562 .....	131, 133
38272 .....	113, 115
39733 .....	69, 73, 131, 133
430497 .....	39, 45, 69, 77, 81, 83, 85, 87, 89, 91, 97, 99, 101, 105, 107, 113, 115, 121, 123, 127, 131, 133
430648 .....	87
430756 .....	59
430757 .....	73
431484 .....	105
51780 .....	83, 85, 113, 115, 121, 123, 127, 131, 133
51782 .....	115, 117, 123
51783 .....	113, 115, 121, 127
61199 .....	59
62588 .....	77
70033502 .....	61
70033504 .....	75
70069901 .....	15, 17, 53
70072801 .....	73
70126101 .....	91
70132301 .....	73
70153301 .....	95
70391101 .....	77
70407301 .....	61
70442101 .....	61
Secure Ground Label	
M403047 .....	113, 115, 117, 121, 123, 131
Sensor Harness	
70426601P .....	85
Shadow Box Clip	
M400972 .....	69
Shaft Collar	
70467001 .....	89
Sheet Metal Edge Gasket	
70015709 .....	81
70015710 .....	81
Side Panel	
70060102DG .....	81
70060102LG .....	81
70060102*P .....	81
70253901DG .....	81

70253901LG .....	81
70253901*P .....	81
Sleeve	
44050601 .....	19
Slip Ring Assembly	
44222701 .....	93
Slip Ring Holder	
70455401 .....	93
Slot Card Plate Assembly	
44089501 .....	29, 43, 51
Snap Bushing	
M400770 .....	101
M402542 .....	131, 133
70178701 .....	85
Solenoid Valve DIN Connector	
70370301P .....	109
Spacer	
70471701 .....	89
Spark Electrode	
70032801P .....	99
70548701P .....	99
Spray Nozzle	
70427801 .....	83
Spray Nozzle Hose	
70427701 .....	83
Spray Paint	
286P4 .....	81
298P4P .....	81
381P4 .....	81
382P4 .....	81
Spud Adapter	
70223501 .....	105
Standoff	
211/00119/00 .....	19
Steam Coil	
70369101P .....	109
Steam Configuration Harness	
70322401P .....	119
Steam Filter Holder	
70369301 .....	109
Steam Solenoid	
70351011P .....	109
70351012 .....	109
Steam Stove Limit Bypass Harness	
70389901 .....	109
Steam Valve	
F8322902 .....	109
F8322903 .....	109
Steam Valve Harness Bracket	
70369401 .....	109
Steam Valve Rebuild Kit	
70351021P .....	109
Steam Valve Wiring Cover	
70369501 .....	109
Stove Back	
70297401 .....	99
Stove Connectors Cover	
70365201 .....	107
Stove Grill	
70214901 .....	107
Stove Limit Bypass Harness	
70316601 .....	107, 109
Stove Limit Harness	
70316501 .....	99

N/A items do not appear in index.

Stove Limit Kit M4902P3 .....	99
Stove Partition 70357201 .....	107
Stove Top and Sides 70333401 .....	99
Street Elbow H86070034 .....	101
Support Bearing 70448701 .....	79
Support Bracket Assembly 70283801 .....	75
Support Housing Bearing Assembly 430260P .....	79
Support Rod 70464401 .....	89
Switch 70411901 .....	97
Switch Assembly 70413401 .....	75, 81
Switch Bracket 70356301 .....	97
Switch Hole Plug 44057801G .....	69
44057801Q .....	69
44057801W .....	69

## T

Temperature Knob 44104601 .....	15, 17
Temperature Selector Bracket 70350201 .....	15
Temperature Selector Switch D511711 .....	15, 17
Temperature Selector Switch Bracket 70391701 .....	17
Terminal Block M413865 .....	131, 133
430642 .....	113, 115, 121, 123, 127
Terminal Block Shield 70333001 .....	113, 115, 121, 123, 127
Thermistor M414704 .....	91
44064701 .....	83, 85
Thermistor Plate 70424401 .....	83
Thermostat Cover M414477 .....	99
Time Delay Interlock Kit 44314401 .....	133
Top Pan 70253001 .....	81
Transformer M414228P .....	113, 115, 121, 123, 127
M414229P .....	113, 115, 121, 123, 127
M414230P .....	113, 121, 127
M414312P .....	113, 121, 127
44074401 .....	121, 123, 127
Trunnion and Seal Kit 70564801 .....	77
70564802 .....	77

Tube Assembly 70427601 .....	83
Tumbler Dolly Kit M4379P4 .....	81

## U

Union H86000031 .....	105
Union Tee 70427901 .....	83
Upper Rear Panel 70356701 .....	79
70356702 .....	79
70356703 .....	79
70356704 .....	79
USB Gateway Kit NK330 .....	41, 43, 53
USB IR Interface Kit 203346 .....	41, 43, 49, 51, 53, 55

## V

Valve Coil F8514801 .....	109
Valve Kit F8521701 .....	109
Valve Rebuild Kit F8379502 .....	109

## W

Warning Label M410892 .....	65
44127701 .....	115, 117, 127, 131, 133
Washer M400080 .....	77
M400991 .....	79, 91
M405535 .....	15, 89
70261401 .....	81
70265901 .....	87
70270301 .....	87
70409301 .....	59
70411301 .....	77
Water Hose F200116 .....	85
Wire Clip 70366201 .....	113, 115, 121, 123, 127
Wire Guard 201595P .....	31
Wireless Network Kit NK301 .....	41, 43, 49, 51, 53
Wireless Transceiver Assembly 202335 .....	45

N/A items do not appear in index.

