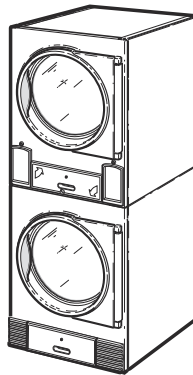


Tumble Dryers

Stacked 30 Pound Capacity
Models with 0 or 3 in 13th Position of Model Number
Refer to Page 3 for Model Numbers



TMB1285C_70602901

Table of Contents

Title	Page
Parts Ordering Information.....	2
Serial Plate Location	2
Model Identification	3
Product Overview - Heat Source and Voltage	4
Product Overview - FN Control Suffix	6
Product Overview - DN and NN Control Suffixes.....	8
Product Overview - B, N and W Control Suffixes.....	10
Dual Digital Control	12
Electronic Display Control - Vend Models with B in the 7th Position	14
Electronic Display Control - Vend Models with N or W in the 7th Position.....	16
Electronic Display Control - OPL Models with N in the 7th Position	18
Coin Drops	20
Coin Drop Kits	22
Door Assemblies.....	24
Door Components.....	26
Hinge Components	28
Upper Front Panel Assemblies and False Fronts	30
Lower Front Panel Assemblies	32
Upper Cabinet Front Components (Drawing 1 of 2).....	34
Upper Cabinet Front Components (Drawing 2 of 2).....	36
Lower Cabinet Front Components	38
Emergency Stop Button	40
Lint Drawer Components	42
Lint Drawer Overlays	44
Cylinder and Trunnion Components	46
Moisture Sensing Components	48
Bearing Components	50
Cabinet Components	52
Drive Motor Components	54
Exhaust Components.....	56
Blower Components.....	58
Airflow Switch.....	60
Gas Burner Housing and Secondary Stove Limit	62
Gas Valve and Piping	64
Burner Orifices	66
Electric Heater Components	68
Steam Heater Components	70
Control Tray and Accessory Box	72
Labels	74
Harnesses.....	75
Parts Index.....	77

© Copyright 2018, Alliance Laundry Systems LLC

All rights reserved. No part of the contents of this book may be reproduced or transmitted in any form or by any means without the expressed written consent of the publisher.

Parts Ordering Information

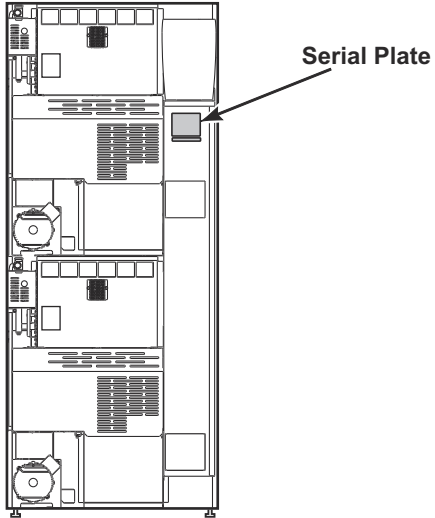
If literature or replacement parts are required, contact the source from whom the machine was purchased or contact Alliance Laundry Systems at (920) 748-3950 for the name and address of the nearest authorized parts distributor.

For technical assistance, call the number listed below:

(920) 748-3121 Ripon, Wisconsin

Serial Plate Location

When calling or writing about your product, be sure to mention model and serial numbers. Model and serial numbers are located on serial plate(s) as shown.



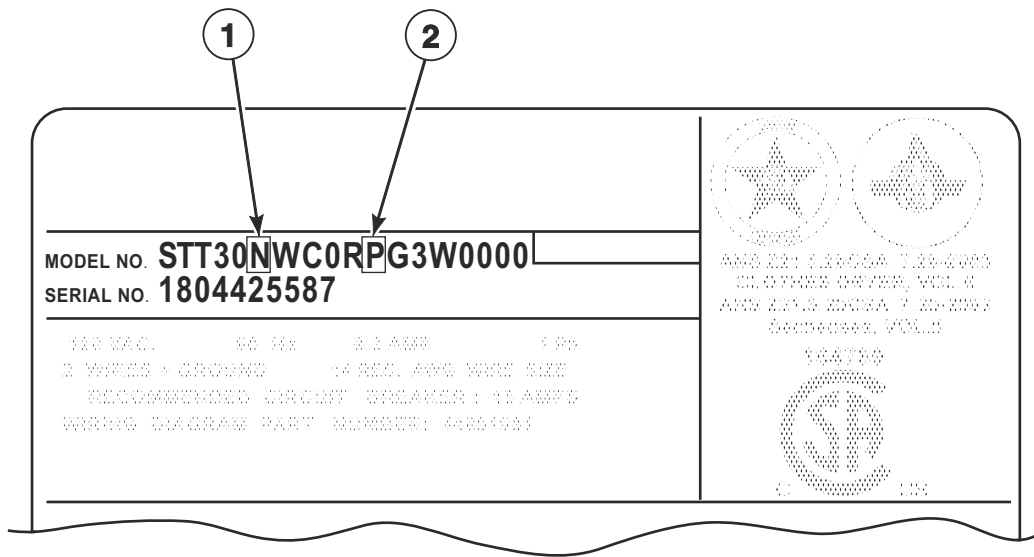
TMB3565P_70602901

Model Identification

Information in this manual is applicable to these tumbler models:

GAT30E	KTT30E	MGT30D	NAT30E
GAT30L	KTT30L	MGT30E	NAT30L
GAT30N	KTT30N	MGT30F	NAT30N
GAT30S	KTT30S	MGT30L	NAT30S
GGT30E		MGT30N	NGT30E
GGT30L		MGT30R	NGT30L
GGT30N		MGT30S	NGT30N
GGT30S		MJT30D	NGT30S
GHT30E		MJT30E	NHT30E
GHT30L		MJT30F	NHT30L
GHT30N		MJT30L	NHT30N
GHT30S		MJT30N	NHT30S
GJT30E		MJT30R	NJT30E
GJT30L		MJT30S	NJT30L
GJT30N			NJT30N
GJT30S			NJT30S
GKT30E			NKT30E
GKT30L			NKT30L
GKT30N			NKT30N
GUT30E			NRT30E
GUT30L			NRT30S
GUT30N			NUT30E
GUT30S			NUT30L
			NUT30N
			NUT30S

Product Overview - Heat Source and Voltage



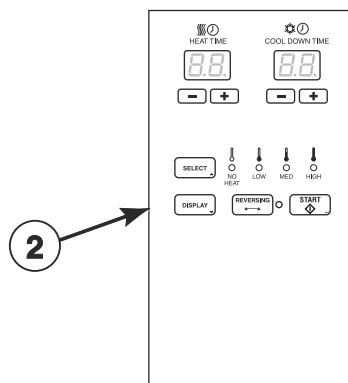
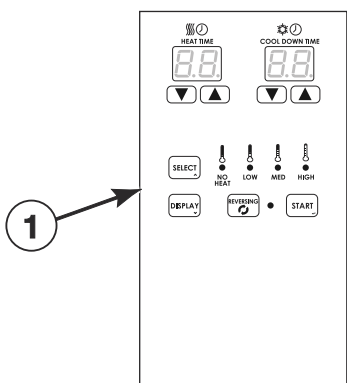
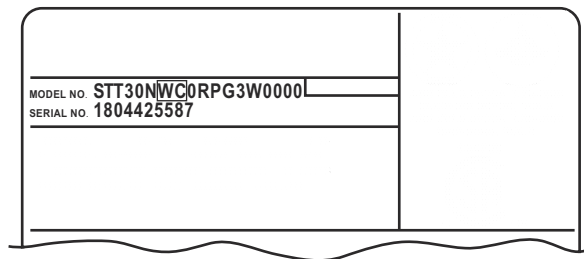
TMB3566P_70602901

Product Overview - Heat Source and Voltage

REF	PART NO.	DESCRIPTION	COMMENTS
1	-	Heat Source	D: Liquid Petroleum Gas (L.P) E: Electric F: Reduced Electric (Eco Line) L: Liquid Petroleum Gas (L.P.) N: Natural Gas (N.G.) R: Reduced Gas, Natural Gas (Eco Line) S: Steam
2	-	Voltage	B: 100-120 Volt/50-60 Hertz/1 Phase; Gas and steam models F: 200-208 Volt/50-60 Hertz/3 Phase; Electric models G: 230-240 Volt/50-60 Hertz/3 Phase; Electric models H: 380 Volt/50-60 Hertz/3 Phase; Electric models J: 400-415 Volt/50-60 Hertz/3 Phase; Electric models K: 440 Volt/50-60 Hertz/3 Phase; Electric models L: 460-480 Volt/50-60 Hertz/3 Phase; Electric models N: 440-480 Volt/50-60 Hertz/3 Phase; Gas and steam models P: 380-415 Volt/50-60 Hertz/3 Phase; Gas and steam models X: 200-240 Volt/50-60 Hertz/1-3 Phase; Gas and steam models

Product Overview - FN Control Suffix

All Models Except M Models; OPL



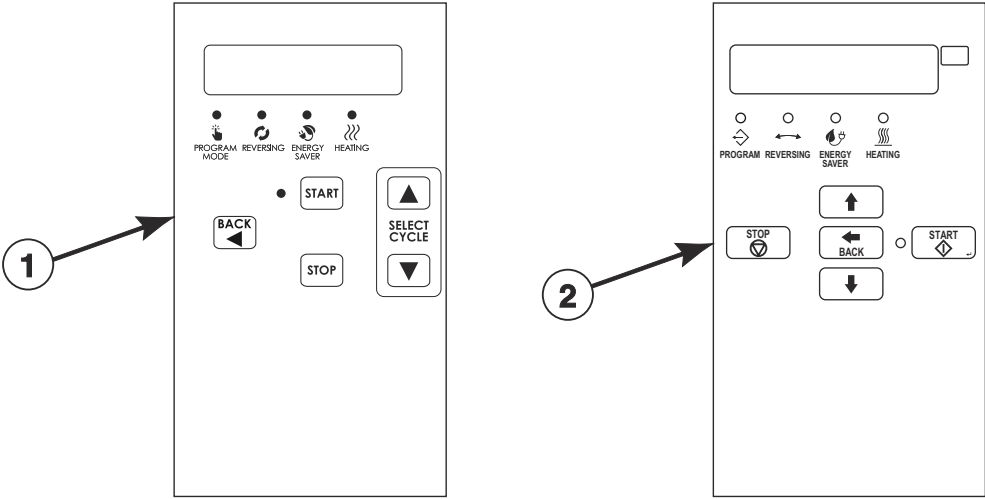
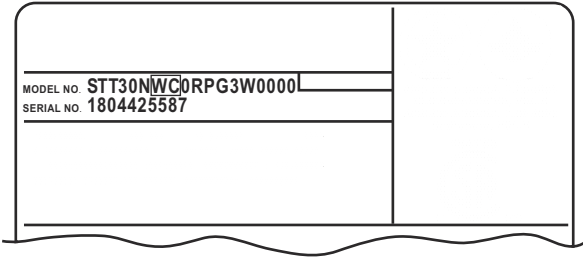
TMB3588P_70602901

Product Overview - FN Control Suffix

REF	PART NO.	DESCRIPTION	COMMENTS
1	-	Dual Digital Control	G and K models
2	-	Dual Digital Control	N models

Product Overview - DN and NN Control Suffixes

All Models Except M Models; OPL



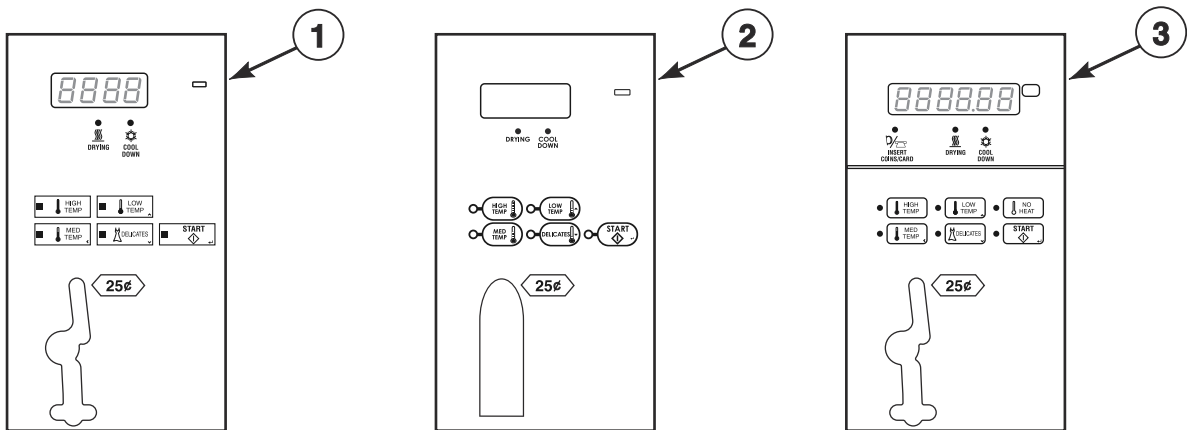
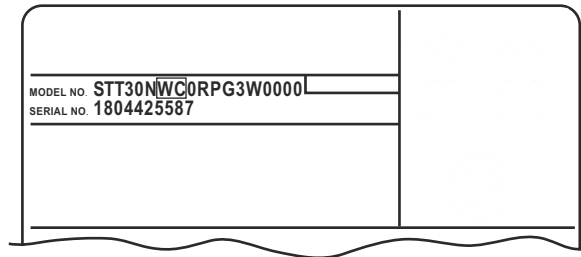
TMB3589P_70602901

Product Overview - DN and NN Control Suffixes

REF	PART NO.	DESCRIPTION	COMMENTS
1	-	OPL Micro Control	G and K models
2	-	OPL Micro Control	N models

Product Overview - B, N and W Control Suffixes

7th Position of the Model Number; Vend



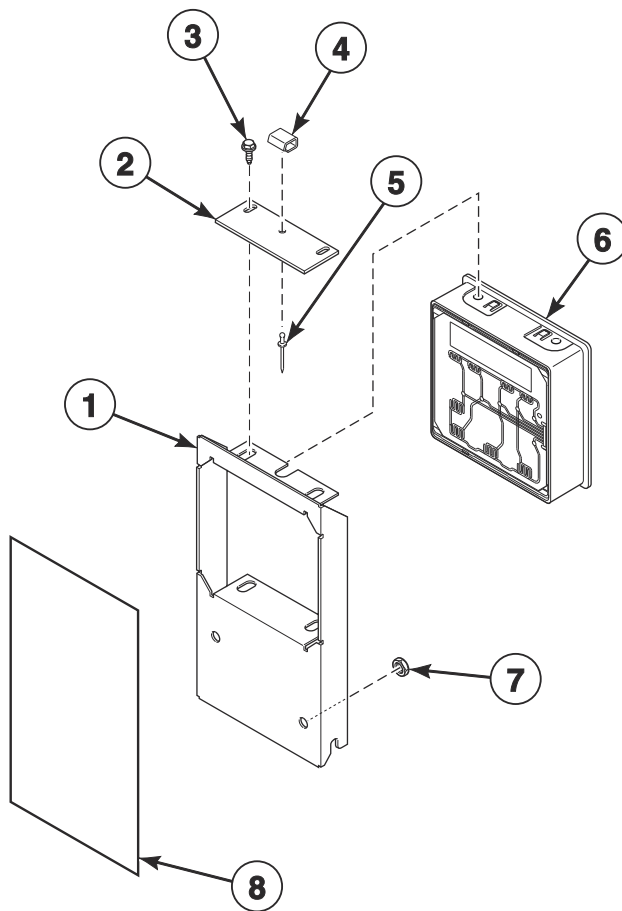
TMB3590P_70602901

Product Overview - B, N and W Control Suffixes

REF	PART NO.	DESCRIPTION	COMMENTS
1	-	Basic Electronic Control	N models
2	-	Basic Electronic Control	G and K models
3	-	Quantum Gold Control	M models

Dual Digital Control

G, K and N Models with F in the 7th Position



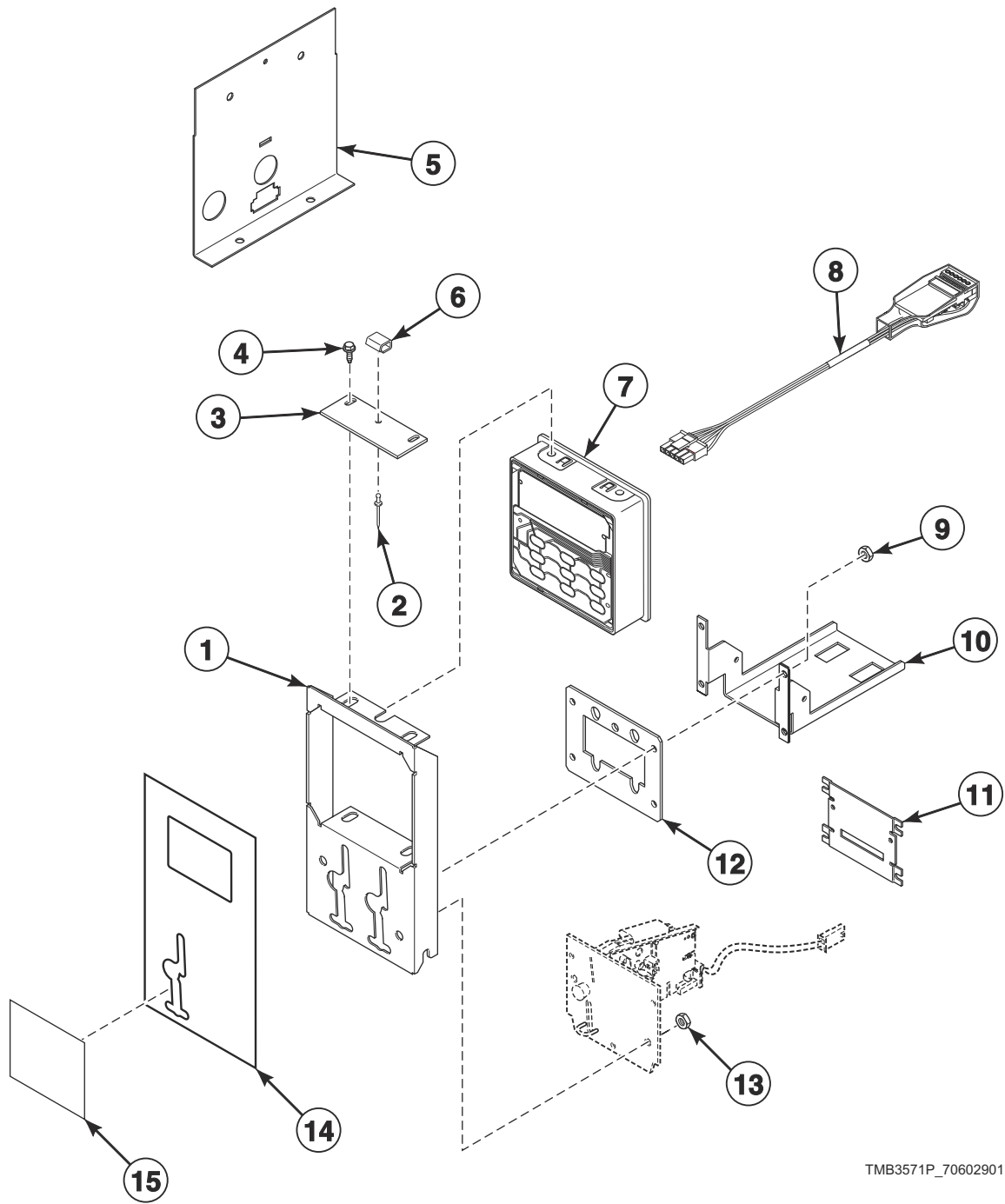
TMB3570P_70602901

Dual Digital Control

REF	PART NO.	DESCRIPTION	COMMENTS
	70577101	Vend Activation Harness	
1	70558501	Control Door and Studs Assembly	
2	70184501	Latch Mounting Bracket	
3	D501524	Screw	4 required
4	431318	Control Door Latch	
5	M400003	Pop Rivet	
6	70479801	Control Assembly	Green
7	44087101	Nut	2 required
8	70547602	Overlay	G and K models; Nonreversing
	70547601	Overlay	G and K models; Reversing
	70516901	Overlay	N models; Nonreversing
	70516902	Overlay	N models; Reversing

Electronic Display Control - Vend Models with B in the 7th Position

G, K and N Models



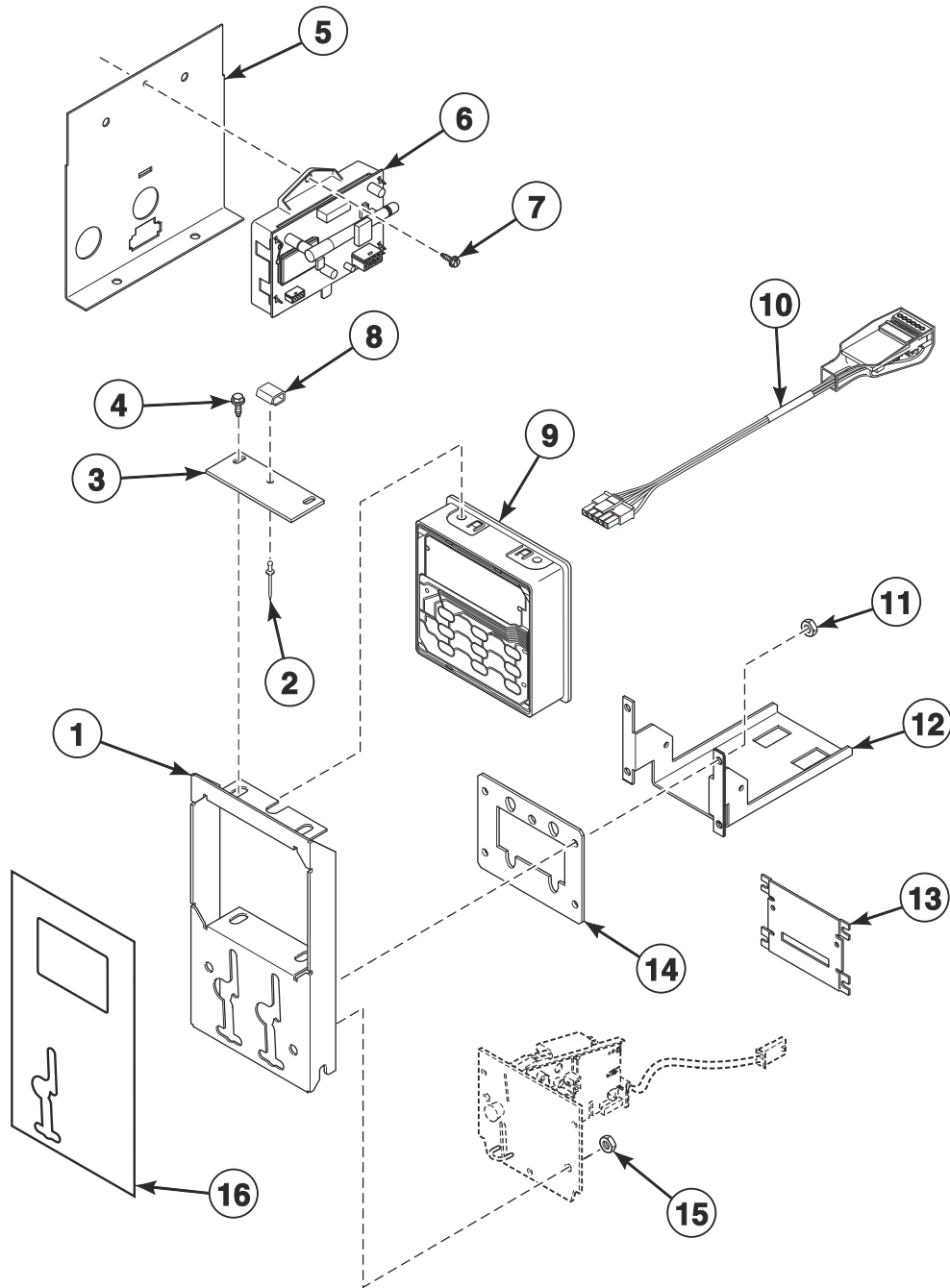
TMB3571P_70602901

Electronic Display Control - Vend Models with B in the 7th Position

REF	PART NO.	DESCRIPTION	COMMENTS
	70577101	Vend Activation Harness	
	44342803	Central Pay Harness	
	202757	Transformer	110/24 Volt
	202758	Transformer	220/24 Volt
	44272303	Power Supply Transformer Harness	
	44272306	Supply Harness	24 Volt; Lower
	44272304	Transformer Harness	120 Volt
	44272305	Transformer Harness	240 Volt
1	70498001	Control Door and Studs Assembly	G and K models; Coin
	70497801	Control Door and Studs Assembly	N models; Coin
	70497401	Control Door and Studs Assembly	N models; Prep for card
	70558501	Control Door and Studs Assembly	N models; Central pay and OPL
2	M400003	Pop Rivet	
3	70184501	Latch Mounting Bracket	
4	D501524	Screw	8 required
5	70307006	Control Housing Cover	Coin and central pay
	70307005	Control Housing Cover	Prep for card
6	431318	Control Door Latch	
7	70478801	Control Assembly	
8	203361P	Machine ID Control Assembly	Model or serial number is required when ordering
9	44087101	Nut	2 required
10	70119001	Chassis Mounting Bracket	
11	44089501	Slot Card Plate Assembly	N models; Included in literature packet
12	70208801	Mounting Plate	
13	70054	Nut	4 required
14	70547301	Overlay	G and K models; Single drop
	70547302	Overlay	G and K models; Dual drop
	70547201	Overlay	G and K models; Card ready
	70544801	Overlay	N models; Single drop
	70544802	Overlay	N models; Dual drop
	70547101	Overlay	N models; Card ready
15	F8205101	Overlay	Black; Single drop; Left
	70557001	Overlay	N models; Prep for card
	70557002	Overlay	N models; Central pay

Electronic Display Control - Vend Models with N or W in the 7th Position

M Models



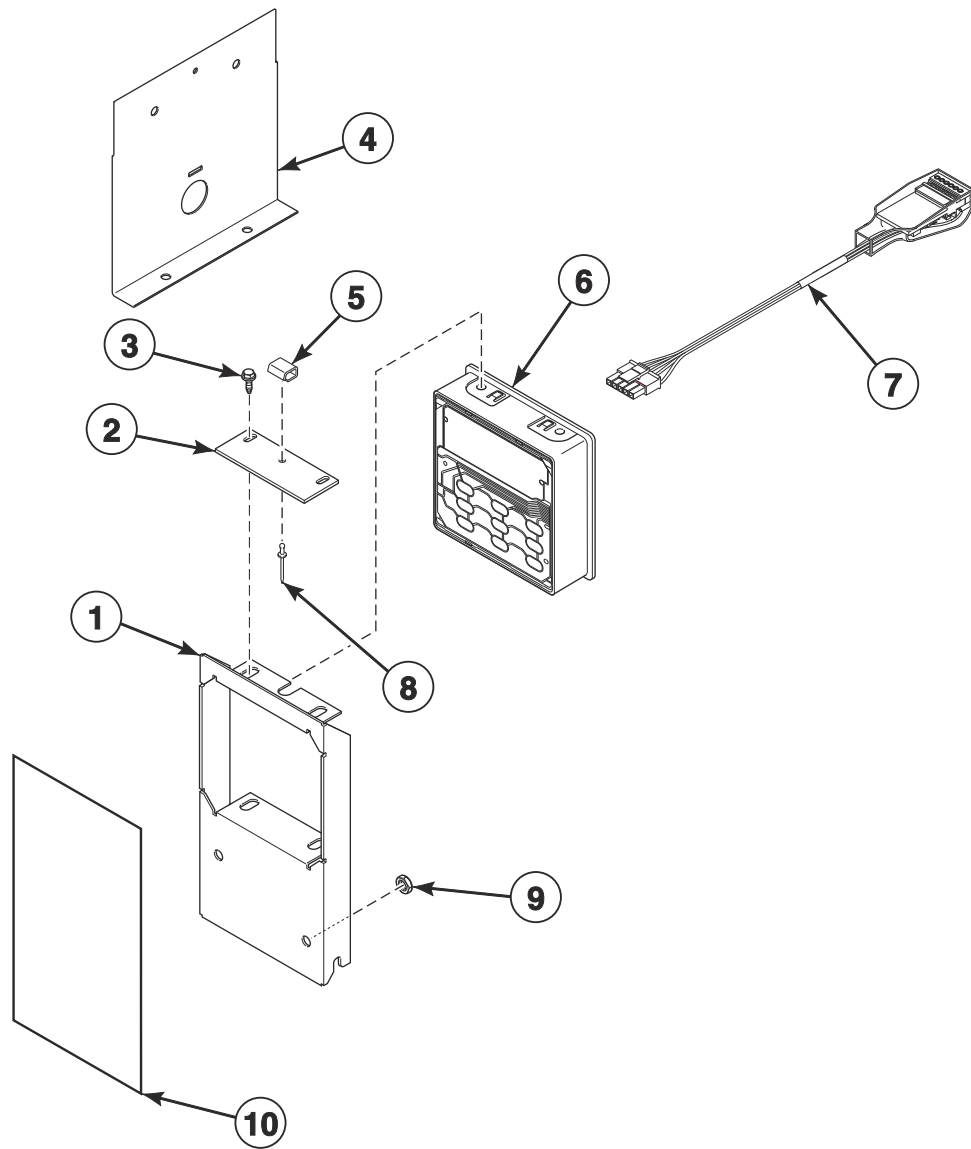
TMB3591P_70602901

Electronic Display Control - Vend Models with N or W in the 7th Position

REF	PART NO.	DESCRIPTION	COMMENTS
	70596302	Wireless Network Kit	
	70577101	Vend Activation Harness	
	F8536002	Wireless Network Board Harness	
	202757	Transformer	110/24 Volt
	202758	Transformer	220/24 Volt
	44272303	Power Supply Transformer Harness	
	44272306	Supply Harness	24 Volt; Lower
	44272304	Transformer Harness	120 Volt
	44272305	Transformer Harness	240 Volt
1	70497801	Control Door and Studs Assembly	Coin
	70497401	Control Door and Studs Assembly	Prep for card
	70558501	Control Door and Studs Assembly	Central pay and OPL
2	M400003	Pop Rivet	
3	70184501	Latch Mounting Bracket	
4	D501524	Screw	8 required
5	70307006	Control Housing Cover	Coin and central pay
	70307005	Control Housing Cover	Prep for card
6	203532	Wireless Network Control Assembly	
7	M411072	Screw	
8	431318	Control Door Latch	
9	70478801	Control Assembly	Green
10	203361P	Machine ID Control Assembly	Model or serial number is required when ordering
11	44087101	Nut	2 required
12	70119001	Chassis Mounting Bracket	
13	44089501	Slot Card Plate Assembly	
14	70208801	Mounting Plate	
15	70054	Nut	4 required
16	70572701	Overlay	Upper
	70573301	Overlay	Lower

Electronic Display Control - OPL Models with N in the 7th Position

G, K and N Models

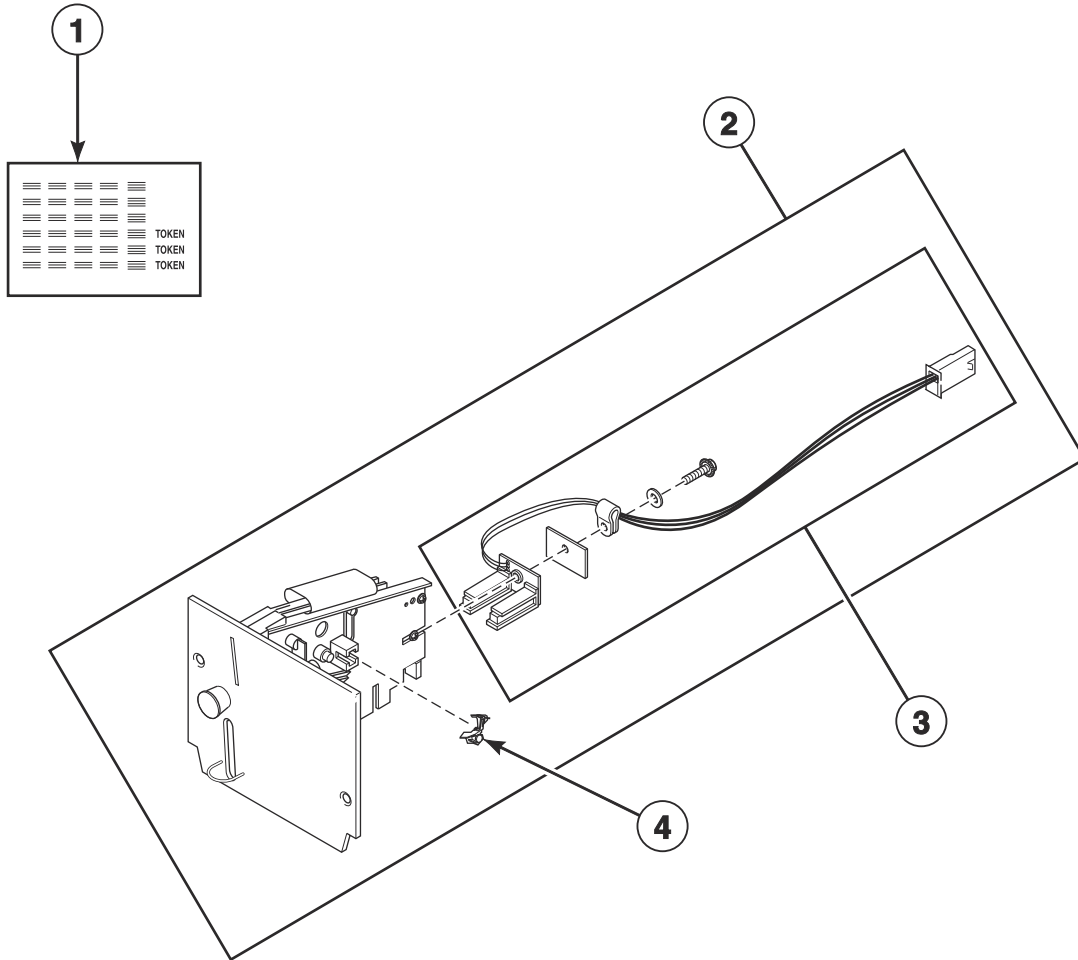


TMB3573P_70602901

Electronic Display Control - OPL Models with N in the 7th Position

REF	PART NO.	DESCRIPTION	COMMENTS
	70577101	Vend Activation Harness	
1	70558501	Control Door and Studs Assembly	
2	70184501	Latch Mounting Bracket	
3	D501524	Screw	
4	70307004	Control Housing Cover	
5	431318	Control Door Latch	
6	70478802	Control Assembly	Green
7	203361P	Machine ID Control Assembly	Model or serial number is required when ordering
8	M400003	Pop Rivet	
9	44087101	Nut	
10	70547701	Overlay	G and K models; Reversing
	70547702	Overlay	G and K models; Nonreversing
	70572501	Overlay	N models; Reversing
	70572502	Overlay	N models; Nonreversing

Coin Drops

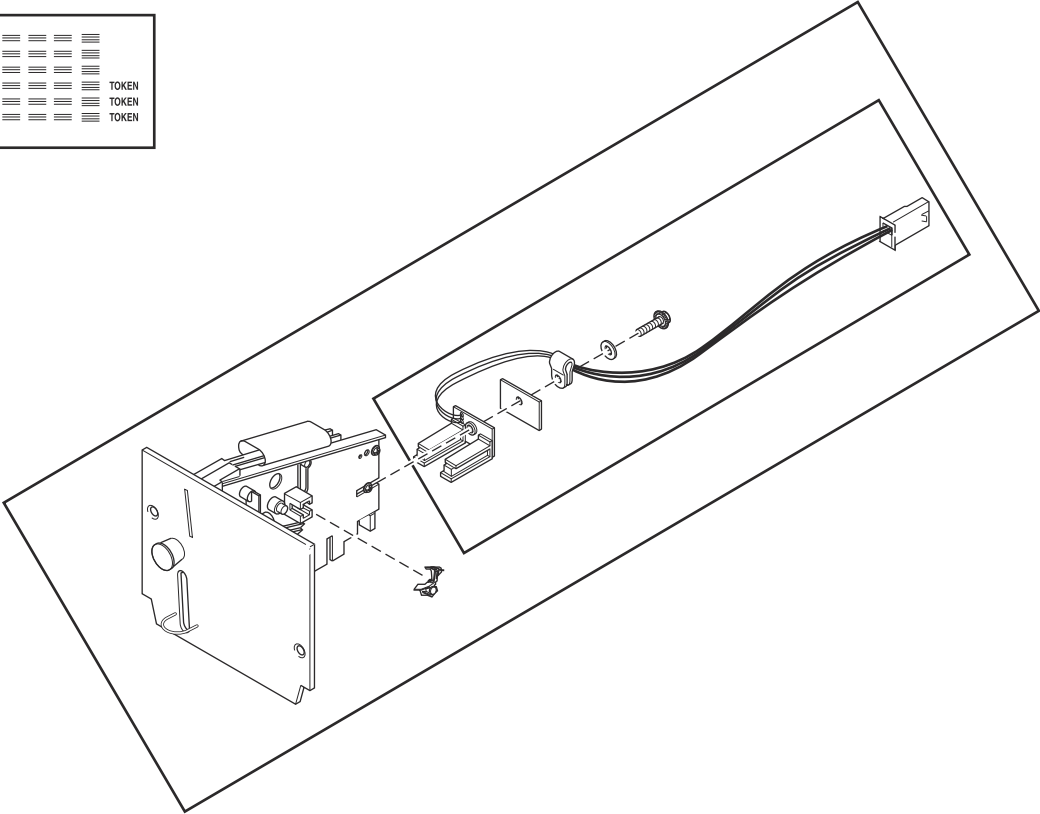
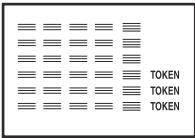


TMB3510P_70602901

Coin Drops

REF	PART NO.	DESCRIPTION	COMMENTS
1	38725	Coin Identification Paper	
2	70441601P	Coin Drop	Single; U.S.A.; \$.25
	38475	Coin Drop Assembly	Single; Japan; 100 yen
	38464P	Coin Drop Assembly	Single; Canada; .25
	CK077	Coin Drop Kit	Single; Taiwan; 10 NT
	70506901	Coin Drop Assembly	Single; Singapore; \$1.00 NEW
	70441603	Coin Drop	Dual; U.S.A.; \$.25 and \$1.00
	38519	Coin Drop Assembly	Dual; Japan; 100 yen and 500 yen
	70441602	Coin Drop Assembly	Dual; Canada; .25 and 1.00
	38467	Coin Drop Assembly	Dual; Australia; \$0.20 and \$1.00
	70447301	Coin Drop Assembly	Dual; Australia; \$1.00 and \$2.00
	70283102	Coin Drop Assembly	Dual; 0.20 and 0.50 Euro
	210195	Coin Drop Assembly	Dual; 0.20 and 1.00 Euro
	210196	Coin Drop Assembly	Dual; 0.50 and 1.00 Euro
	F0160737-00	Coin Meter	Dual; 0.50 and 2.00 Euro
	70281102	Coin Drop Assembly	Dual; Taiwan; 10 and 50 NT
	70482401	Coin Drop Assembly	Dual; New Zealand ; \$1.00 and \$2.00
	38462P	Coin Drop Assembly	Single; Token; STD 118-1
	38463	Coin Drop Assembly	Single; Token; STD 118-5
	38963P	Coin Drop	Single; Token STD 118-16
	39748	Coin Drop	Single; Jeton 08MS
	201141	Coin Drop Assembly	Single; Token; Jeton wh121
	70471601	Coin Drop Assembly	Single; Token; 7K
	70513302	Electronic Coin Drop Assembly	Euro and Great Britain coins
	70513310	Electronic Coin Drop Assembly	Japan and Thailand coins
	70513304	Electronic Coin Drop Assembly	Australia, New Zealand, Hong Kong and South Korea coins
	70513303	Electronic Coin Drop Assembly	Denmark, Norway and Euro coins
	70513306	Electronic Coin Drop Assembly	Mexico, Ecuador and U.S.A. coins
	70294107	Electronic Coin Drop Assembly	Lithuania, Latvia and Euro coins
	70513311	Electronic Coin Drop Assembly	China and Malaysia coins
	70513308	Electronic Coin Drop Assembly	South African 1, 2 and 5 rand coins
	70513309	Electronic Coin Drop Assembly	Euro coins
	70513312	Electronic Coin Drop Assembly	Russia coins
	70513313	Electronic Coin Drop Assembly	Phillipines coins
	70513314	Electronic Coin Drop Assembly	Thailand coins
	70513315	Electronic Coin Drop Assembly	Chile coins
	70513316	Electronic Coin Drop Assembly	Singapore coins
3	200674P	Opto Coupler	
4	201595P	Wire Guard	

Coin Drop Kits

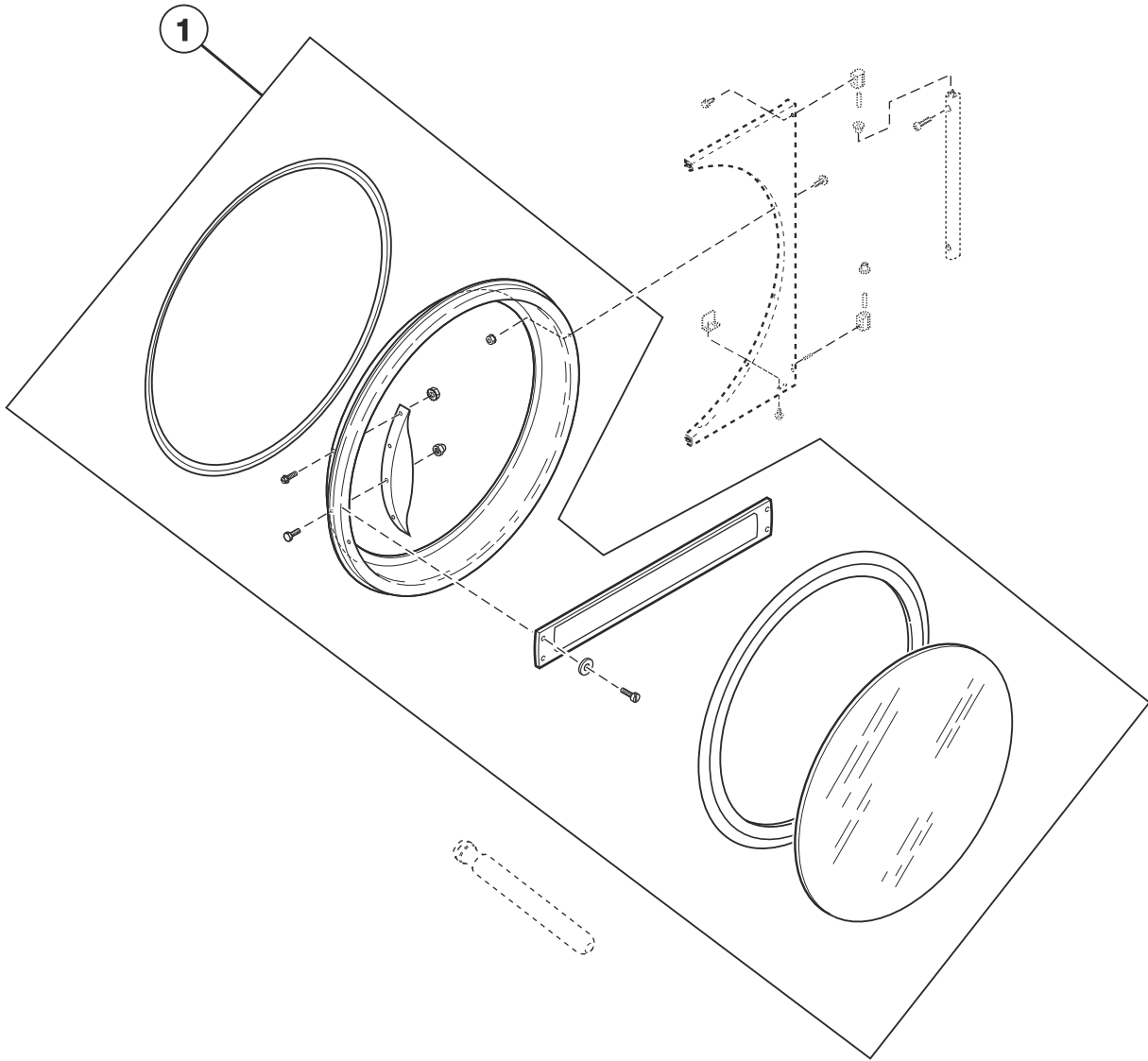


TMB3510PA_70602901

Coin Drop Kits

REF	PART NO.	DESCRIPTION	COMMENTS
	CK115	Electronic Coin Drop Kit	United States and Canada
	CK099	Electronic Coin Drop Kit	Australia (default), New Zealand, Hong Kong, South Korea and Malaysia
	CK100	Electronic Coin Drop Kit	United Kingdom (default) and Europe
	CK101	Electronic Coin Drop Kit	Europe (default), Denmark and Norway
	CK108	Electronic Coin Drop Kit	South Africa
	CK109	Electronic Coin Drop Kit	Euro
	CK110	Electronic Coin Drop Kit	Mexico (default), Ecuador and United States
	CK113	Electronic Coin Drop Kit	Japan and Taiwan
	CK116	Electronic Coin Drop Kit	Malaysia (default) and China
	CK117	Electronic Coin Drop Kit	Russia
	CK118	Electronic Coin Drop Kit	Philippine
	CK119	Electronic Coin Drop Kit	Thailand
	CK120	Electronic Coin Drop Kit	Chile
	CK121	Electronic Coin Drop Kit	Singapore
	CK122	Coin Drop Kit	New Zealand; 1.00 and 2.00

Door Assemblies

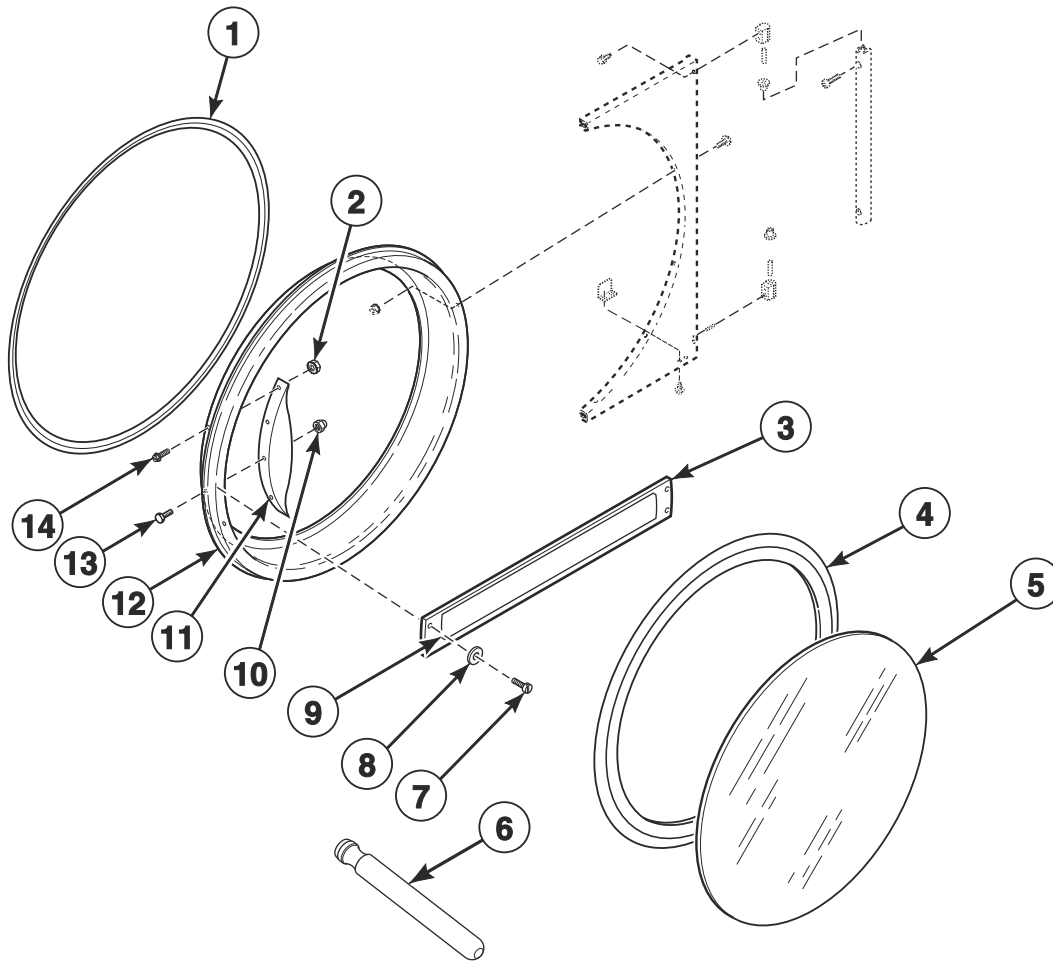


TMB3152P_70602901

Door Assemblies

REF	PART NO.	DESCRIPTION	COMMENTS
1	70212300	Door Assembly	M models; Stainless steel
	70212301	Door Assembly	N models
	70212302	Door Assembly	M models; Chrome
	70408901	Door Assembly	G and K models; Includes handle

Door Components

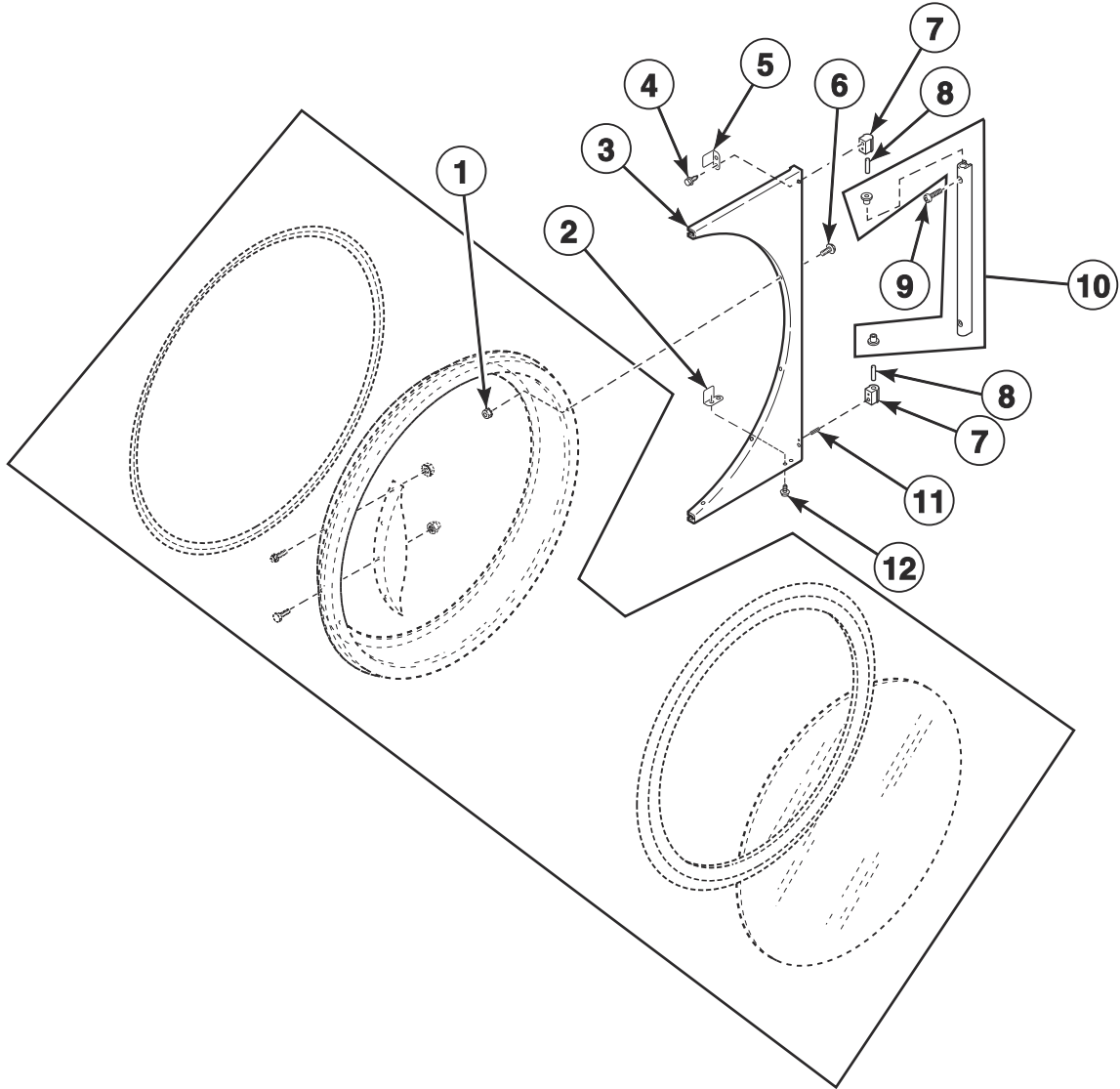


TMB3152PA_70602901

Door Components

REF	PART NO.	DESCRIPTION	COMMENTS
1	70296801	Door Ring Gasket	
2	44088001	Nut	M and N models; 4 required
3	70399502B	Handle Bar	G and K models
4	70211901P	Door Glass Seal Kit	Use Loctite 414 for seal
5	M400784P	Door Glass	
6	M4221P4	Door Glass Installation Tool	
7	70412601	Pop Rivet	G and K models; Attaches door handle to door ring
8	70409301	Washer	G and K models
9	70414001	Label	G and K models; Coin
10	M414215	Nut	For door strike; Mounts between door strike screw and door handle
11	44007902P	Door Handle	M and N models
12	70543903B	Door Ring	G and K models
	70543905	Door Ring Assembly	M models; Chrome
	70543901	Door Ring Assembly	M models; Stainless steel
	70543904B	Door Ring Assembly	N models
13	M400661	Screw	Door Strike
14	70442101	Screw	M and N models; 4 required

Hinge Components



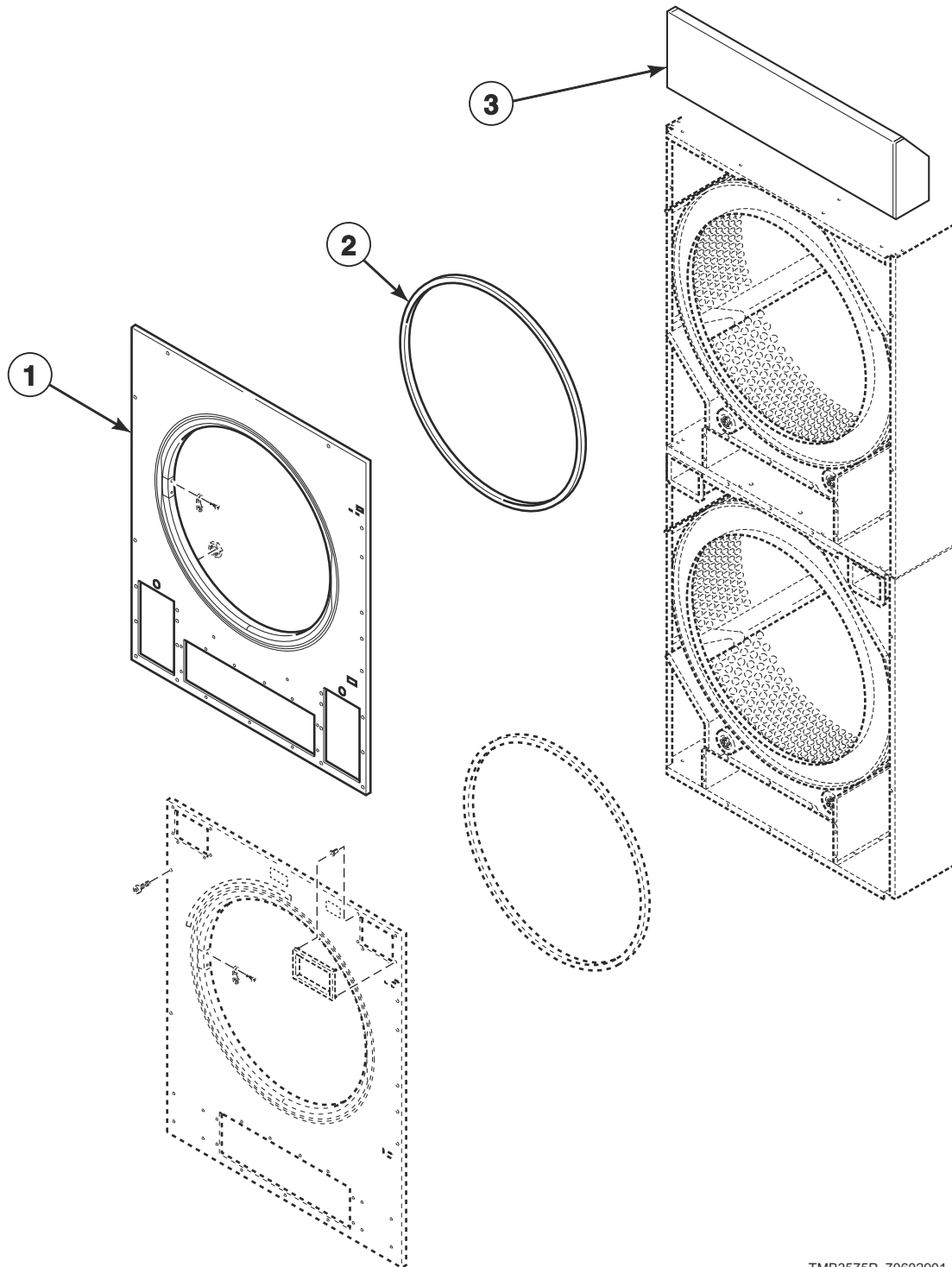
TMB3459P_70602901

Hinge Components

REF	PART NO.	DESCRIPTION	COMMENTS
1	44088001	Nut	
2	70532101	Door Switch Actuator	Bottom
3	70115901*	Door Hinge	M and N models
	70115904	Door Hinge	M models; Stainless steel
	70115903B	Door Hinge	Black; G, K and N models
4	70576101	Screw	
5	70532102	Door Switch Actuator	Top
6	M400044	Screw	
7	M4772P3	Cam and Hinge Kit	M models
	M4773P3	Cam and Hinge Kit	Black; G, K and N models
8	70071401	Pin	
9	70033502	Screw	M models
	70407301	Screw	Black; G, K and N models
10	44035001	Door Hinge Lug Assembly	M models
	44035002	Door Hinge Lug Assembly	Black; G, K and N models
11	70436301	Screw	
12	70058501	Pop Rivet	

* Add Letter To Designate Color. Q - Bisque W - White

Upper Front Panel Assemblies and False Fronts



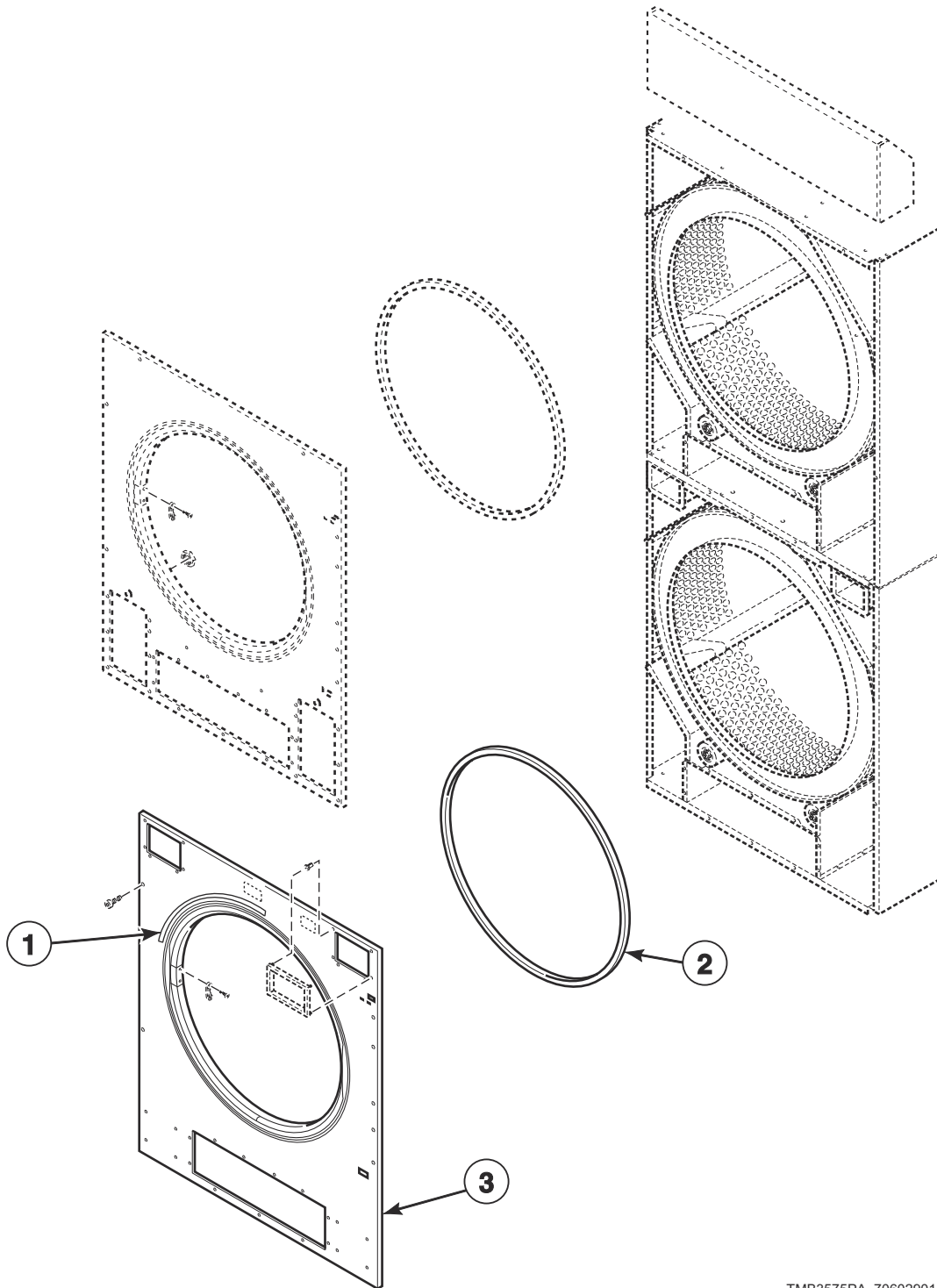
TMB3575P_70602901

Upper Front Panel Assemblies and False Fronts

REF	PART NO.	DESCRIPTION	COMMENTS
	70399401	Access Panel Trim	G and K models
1	70523901*	Upper Front Panel Assembly	
	70523902	Upper Front Panel Assembly	G, K and M models; Stainless steel
2	70173401P	Front Panel Seal	Requires D511637P Adhesive
3	70371701*P	False Front Kit	To match T45 height; Includes 2 screws
	70371704	False Front	Stainless steel; To match T45 height

* Add Letter To Designate Color. Q - Bisque W - White

Lower Front Panel Assemblies



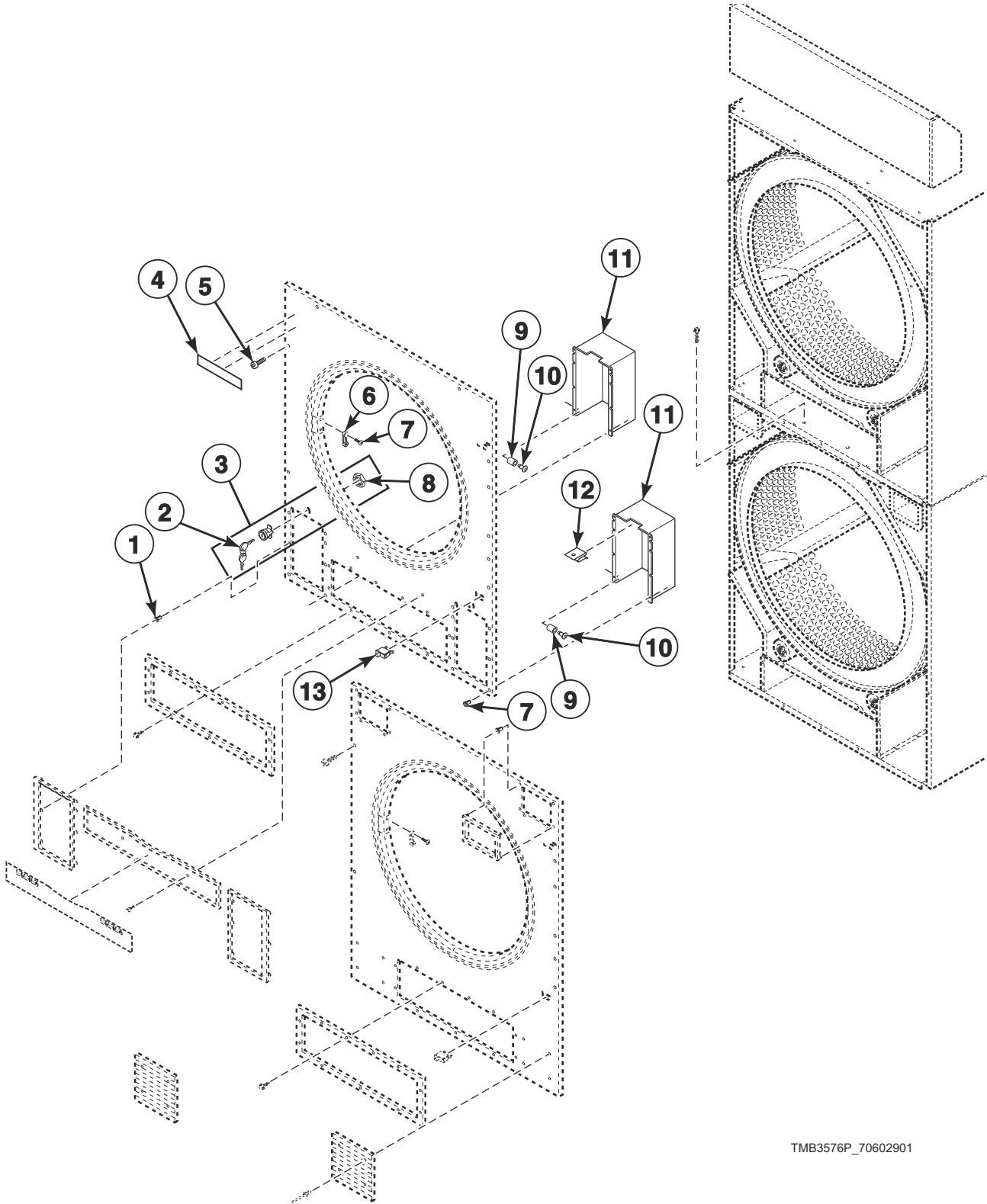
TMB3575PA_70602901

Lower Front Panel Assemblies

REF	PART NO.	DESCRIPTION	COMMENTS
	70399401	Access Panel Trim	G and K models
1	70534301	Warning Label	English
	70534302	Warning Label	French
	70534300	Label Kit	Warning; IEC models
2	70173401P	Front Panel Seal	Requires D511637P Adhesive
3	70524001*	Lower Front Panel	Coin
	70524002	Lower Front Panel	Coin; Stainless steel
	70524003*	Lower Front Panel	Card and central pay
	70524004	Lower Front Panel	Card and central pay; Stainless steel
	70524013*	Lower Front Panel	OPL
	70524014	Lower Front Panel	OPL; Stainless steel

* Add Letter To Designate Color. Q - Bisque W - White

Upper Cabinet Front Components (Drawing 1 of 2)

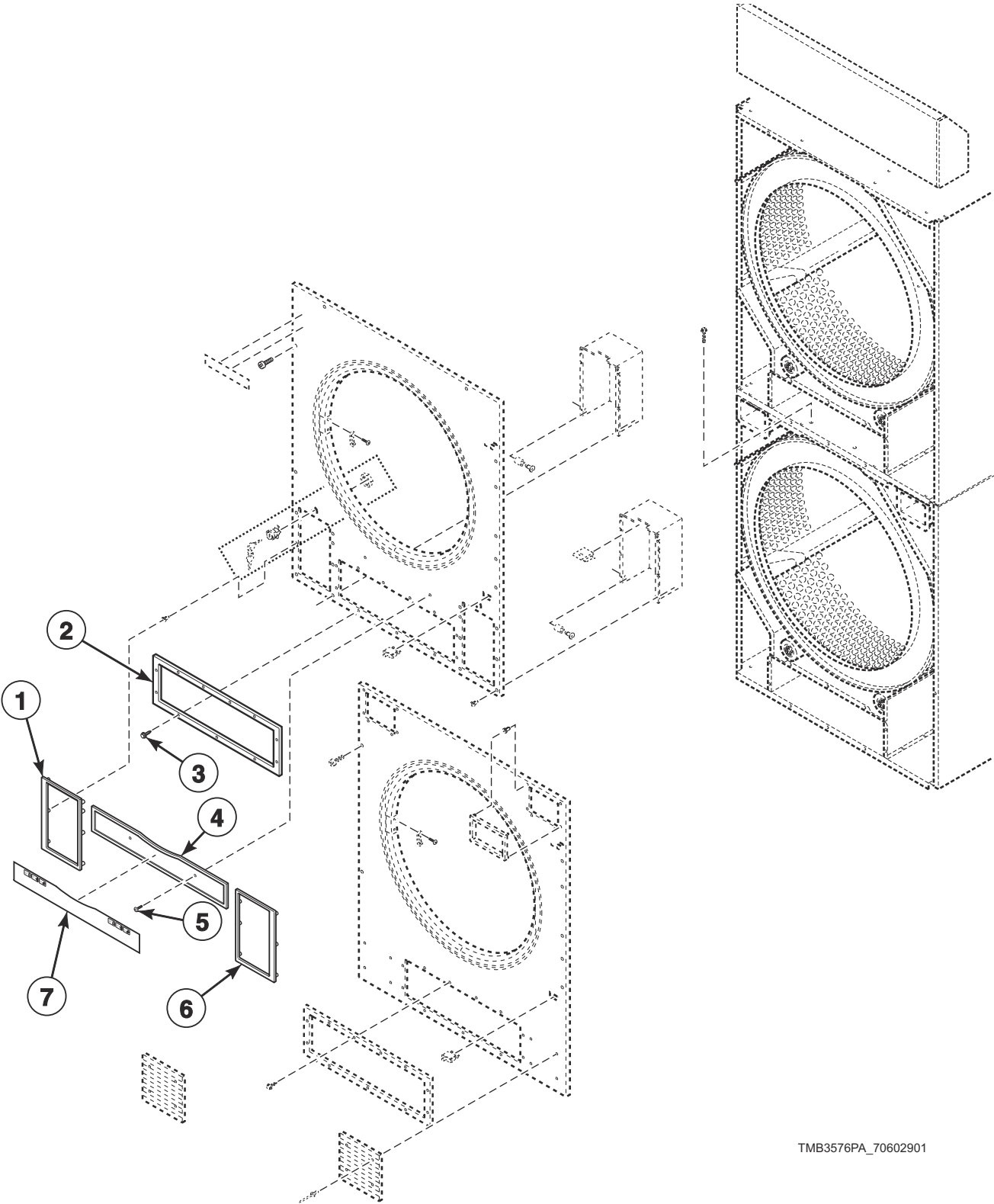


TMB3576P_70602901

Upper Cabinet Front Components (Drawing 1 of 2)

REF	PART NO.	DESCRIPTION	COMMENTS
	44334102	Coin Vault Switch Harness	
	44334103	Bypass Harness	
1	M400972	Shadow Box Clip	6 required per coin vault trim
2	70155601	Key	RL001
3	44089301P	Lock, Key and Nut Kit	RL001
	44089304	Panel Lock	RL001; Chrome
4	70411401	Nameplate Overlay	G models
	44144401	Nameplate Overlay	K models
5	70033502	Screw	For painted front panels
	70182601	Screw	For stainless steel front panels
6	M401223	Door Latch	
7	44166601	Pop Rivet	2 required for item 6; 4 required for item 12
8	44088801	Nut	Panel lock
9	431264	Spacer	2 required
10	44251101	Pop Rivet	2 required
11	70119901	Control Housing	
12	M406494	Panel Clip	2 required per control housing
13	70413301	Pushbutton Switch	Door switch

Upper Cabinet Front Components (Drawing 2 of 2)

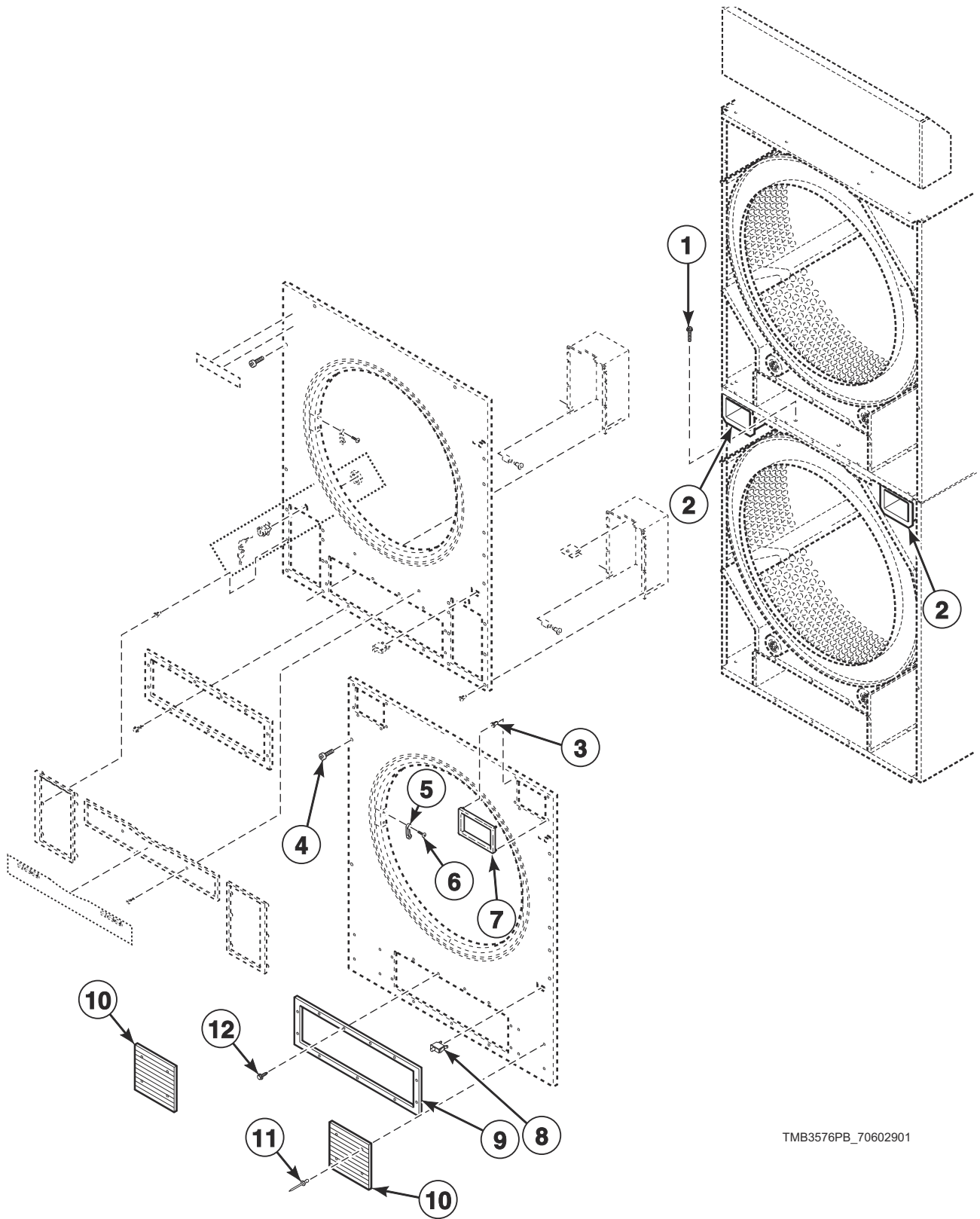


TMB3576PA_70602901

Upper Cabinet Front Components (Drawing 2 of 2)

REF	PART NO.	DESCRIPTION	COMMENTS
	70017301	Front Panel Baffle Seal	2 required
	M410892	Warning Label	
1	70116902	Control Trim	Black; Left
2	70117901P	Lint Drawer Gasket	
3	70275801	Screw	8 required
4	70120501	Control Trim	M and N models; Center
5	M405188	Screw	M and N models; 2 required
6	70116901	Control Trim	Black; Right
7	70592901	Overlay	M models
	70542001	Overlay	N models; Coin
	70554501	Overlay	N models; OPL

Lower Cabinet Front Components

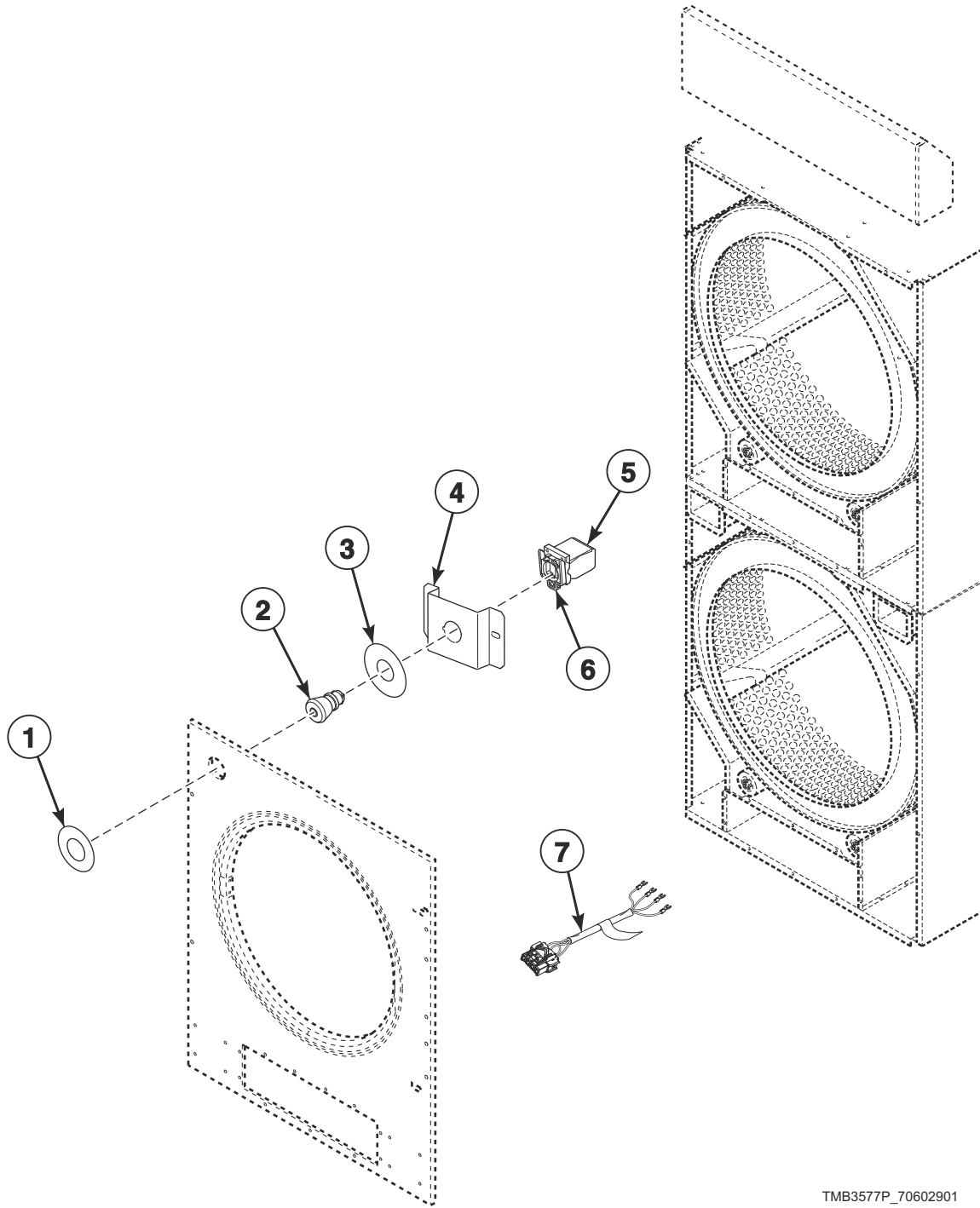


TMB3576PB_70602901

Lower Cabinet Front Components

REF	PART NO.	DESCRIPTION	COMMENTS
	M4379P4	Tumbler Dolly Kit	
	M410892	Warning Label	
	70017301	Front Panel Baffle Seal	2 required
1	70069901	Screw	
2	70529501	Coin Vault Assembly	
	70529503	Coin Vault and Emergency Stop Mount Assembly	Models with emergency stop
3	M400972	Shadow Box Clip	6 required per coin vault trim
4	70033502	Screw	For painted front panels
	70182601	Screw	For stainless steel front panels
5	M401223	Door Latch	
6	44166601	Pop Rivet	2 required per latch; 4 required per control housing
7	70117502	Coin Vault Trim	Black
8	70413301	Pushbutton Switch	Door switch
9	70117901P	Lint Drawer Gasket	
10	70117605	Kickplate	Black
11	70126301	Pop Rivet	4 required per kickplate; Black
12	70275801	Screw	8 required

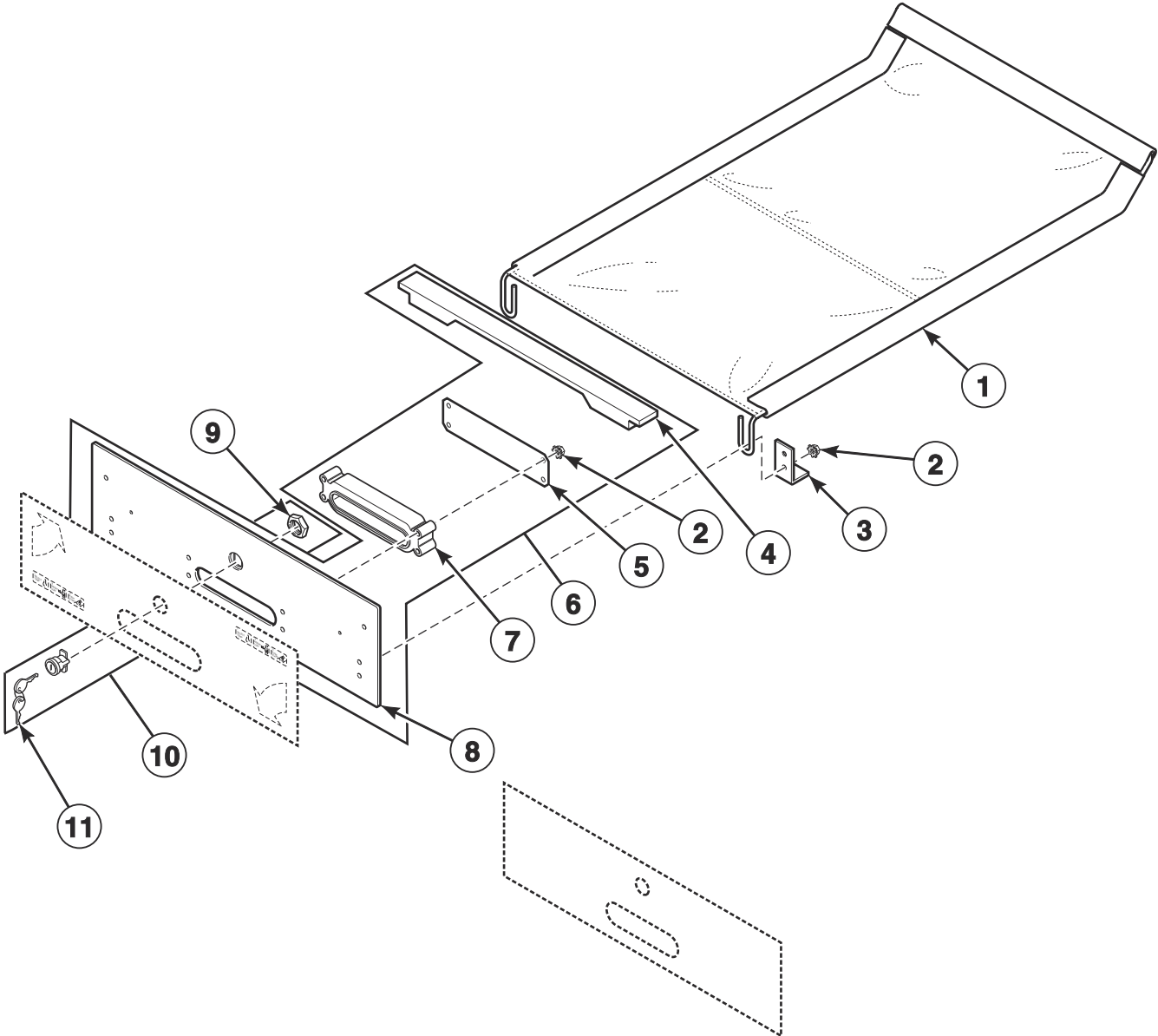
Emergency Stop Button



Emergency Stop Button

REF	PART NO.	DESCRIPTION	COMMENTS
	70580301	Emergency Stop Button Kit	Includes items 2-4
	F8519403	Emergency Stop Bypass Harness	Coin, card and central pay
	44272105	Interconnect Harness	
1	44012903	Emergency Stop Label	
2	F200233500	Emergency Stop Pushbutton	
3	44012901	Emergency Stop Label	
4	70550401	Emergency Stop Mounting Bracket	
5	F8069501	Contact Switch	4 required
6	F8538101	Contact Base	
7	44272401	Emergency Stop Harness	Primary
	44272402	Emergency Stop Harness	Supplementary

Lint Drawer Components

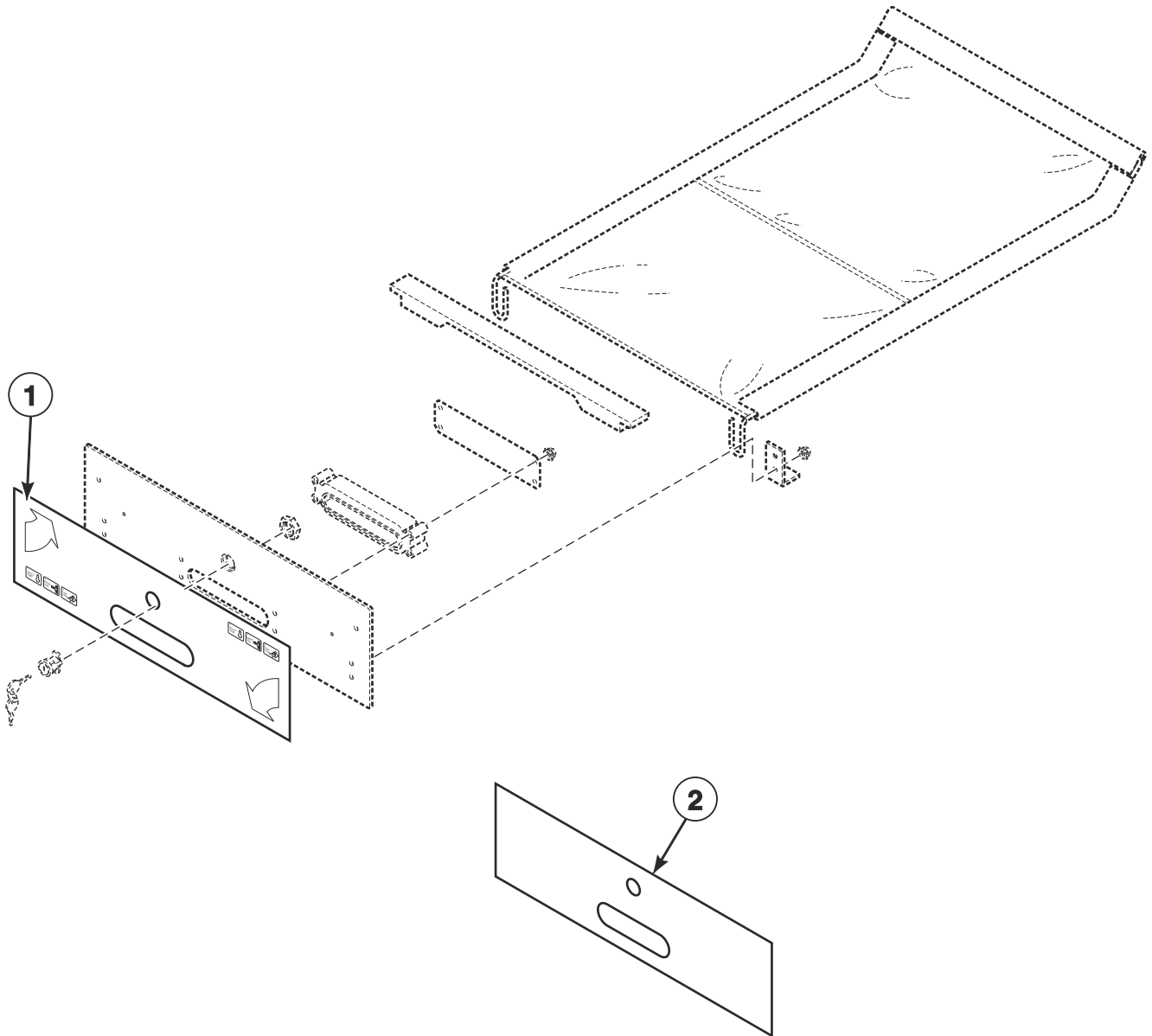


TMB3578P_70602901

Lint Drawer Components

REF	PART NO.	DESCRIPTION	COMMENTS
	70342401	Lock Shim	Black
	70342402	Lock Shim	Gray
1	70290601	Lint Screen Assembly	
2	44087101	Nut	6 required
3	70026901	Lint Screen Bracket	2 required
4	70333101	Lint Frame Gasket	
5	70323201	Lint Drawer Handle Plate	
6	70322901P	Lint Drawer Front Kit	Black; Includes 70342401 Lock Shim
	70322902P	Lint Drawer Front Kit	Gray; Includes 70342402 Lock Shim
7	70320801	Lint Drawer Handle	Black
	70320802	Lint Drawer Handle	Gray
8	70322906	Lint Panel and Studs Assembly	Gray
	70322903	Lint Panel and Studs Assembly	Black
9	44088801	Nut	
10	44089302P	Lock, Key and Nut Kit	RL002
	44089305	Panel Lock	RL002; Chrome
11	70155602	Key	RL002

Lint Drawer Overlays

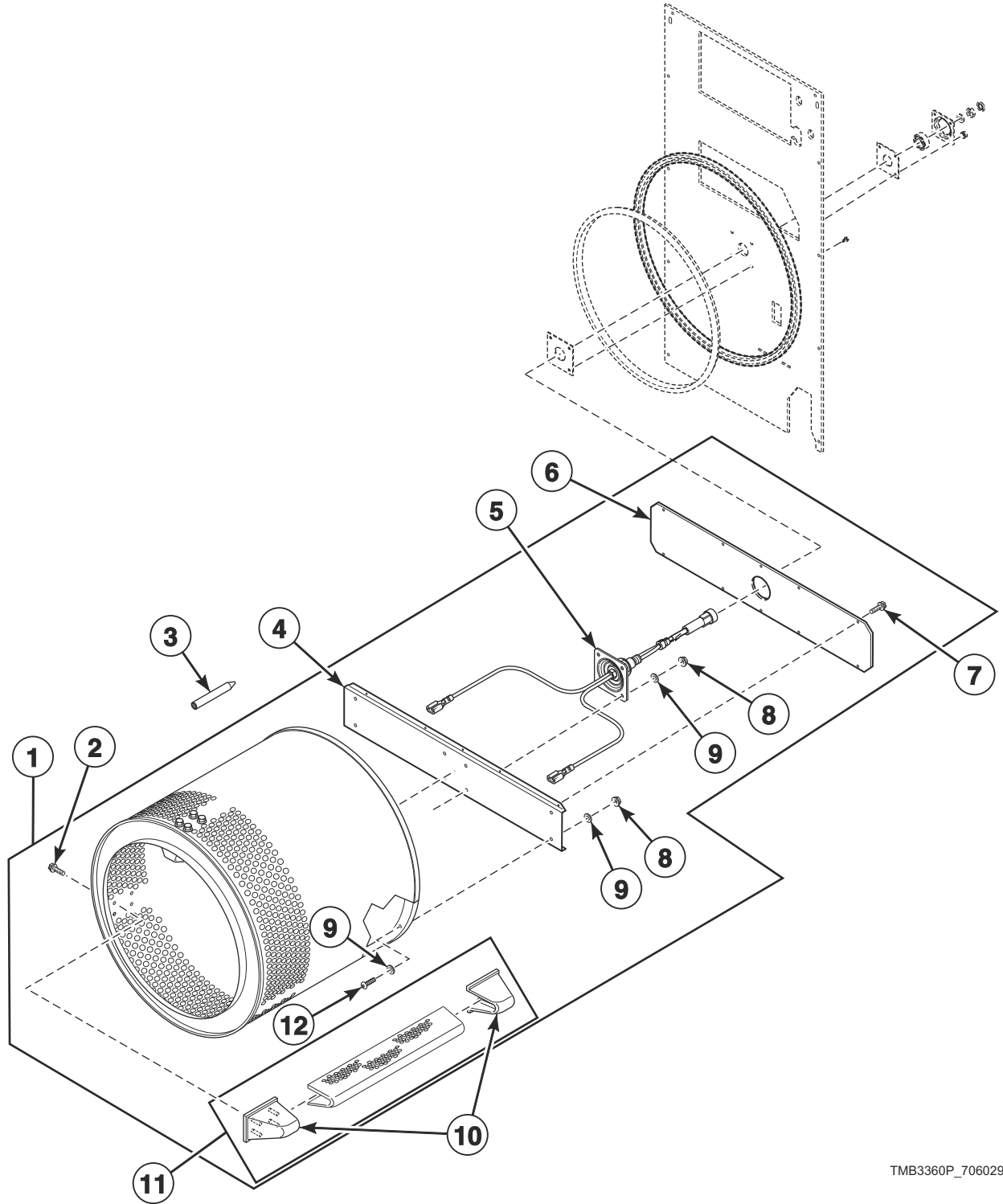


TMB3578PA_70602901

Lint Drawer Overlays

REF	PART NO.	DESCRIPTION	COMMENTS
1	70547901	Overlay	G and K models; Upper lint drawer
	70580601	Overlay	M models; Upper lint drawer
	70573101	Overlay	N models; Upper lint drawer; Vend
2	70136401	Overlay	Lower lint drawer

Cylinder and Trunnion Components

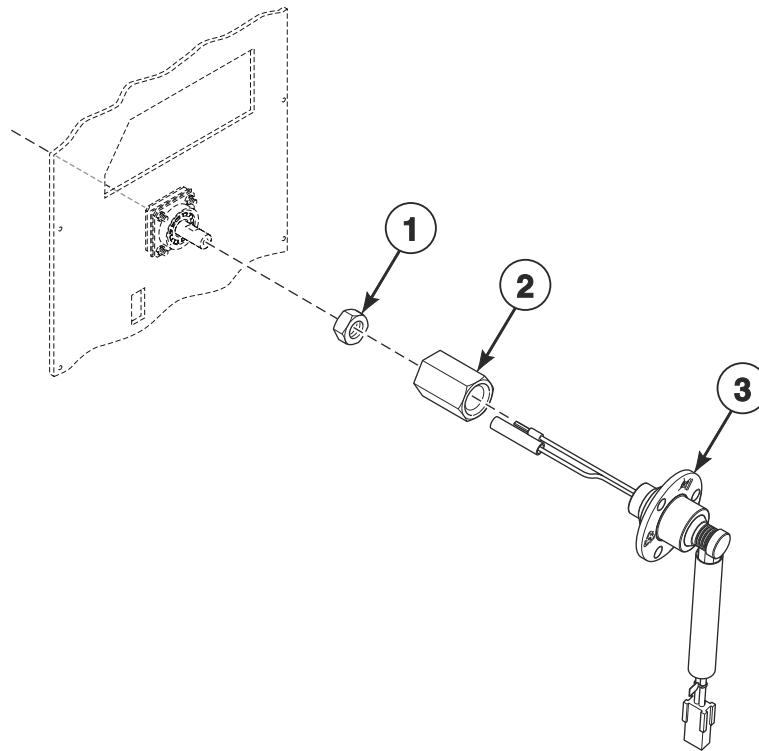


TMB3360P_70602901

Cylinder and Trunnion Components

REF	PART NO.	DESCRIPTION	COMMENTS
	70343101P	Drywall Screw Magnet Kit	Includes 6 magnets and 6 screws
1	70372504P	Cylinder Assembly	G, M and N models; Galvanized; Non-moisture sensing
	70372502P	Cylinder Assembly	G, M and N models; Stainless steel; Non-moisture sensing
	70372505P	Cylinder Assembly	K models; Non-moisture sensing
	70443905	Cylinder and Trunnion Assembly	G and K models; Moisture sensing
	70443904	Cylinder and Trunnion Assembly	M and N models; Galvanized; Moisture sensing
	70443902	Cylinder and Trunnion Assembly	M and N models; Stainless steel; Moisture sensing
2	62588	Screw	
3	263P4	Cylinder Guide Tool	
4	70257101	Rear Cylinder Channel	Non-moisture sensing
	70257102	Rear Cylinder Channel	Moisture sensing
5	70564803	Trunnion and Seal Kit	Non-moisture sensing
	70564804	Trunnion and Seal Kit	Moisture sensing; Includes 70454601 Trunnion and Wire Assembly
6	70257201	Rear Cylinder Channel Plate	
7	430497	Screw	10 required
8	M412986	Nut	
9	70411301	Washer	
10	70070101	End Cap	Non-moisture sensing
	70070102	End Cap	Moisture sensing
11	70433002	Cylinder Rib Assembly	Moisture sensing
12	70391101	Screw	8 required

Moisture Sensing Components

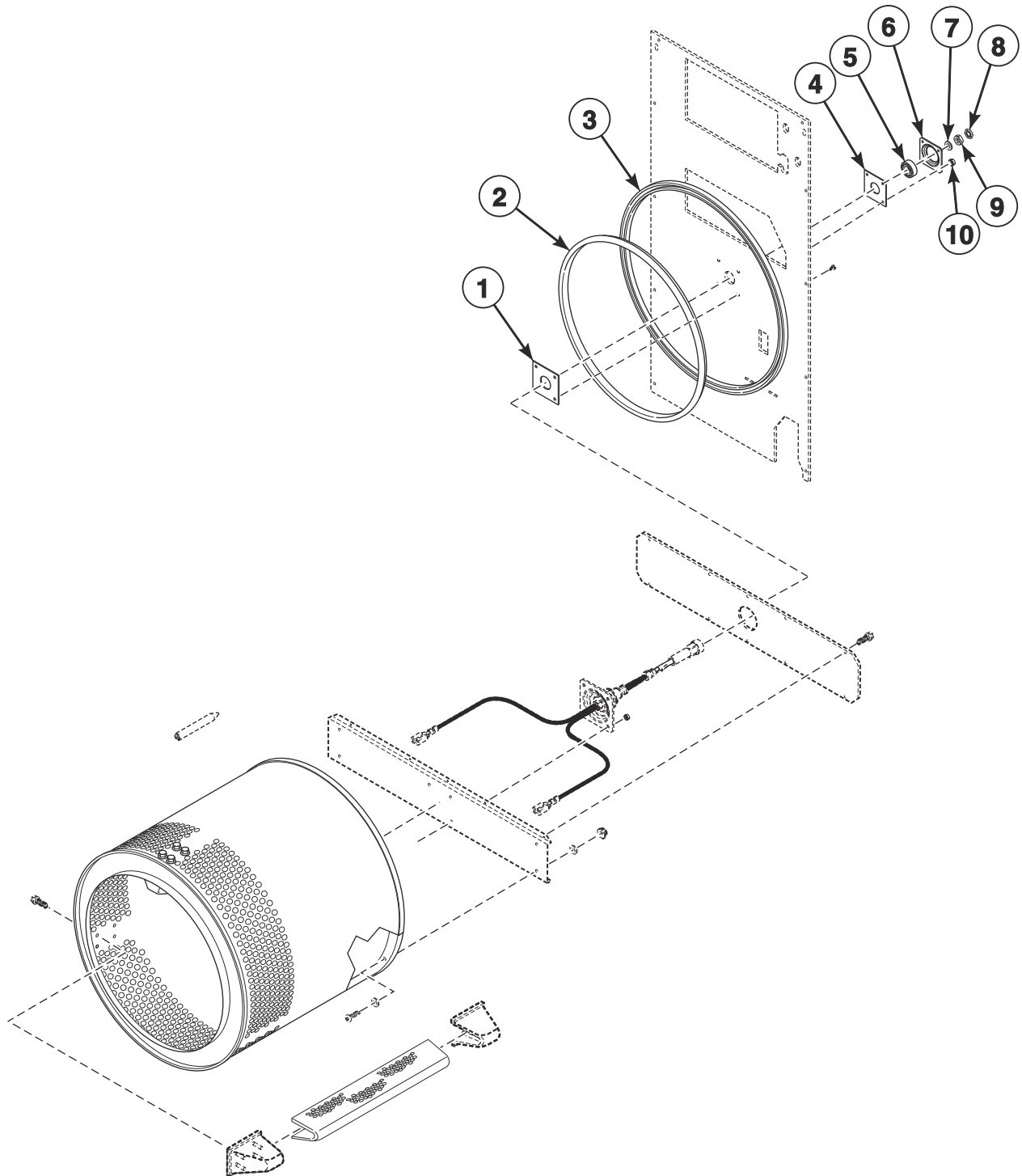


TMB3579P_70602901

Moisture Sensing Components

REF	PART NO.	DESCRIPTION	COMMENTS
1	M400035	Nut	
2	70455401	Slip Ring Holder	
3	44222701	Slip Ring Assembly	

Bearing Components

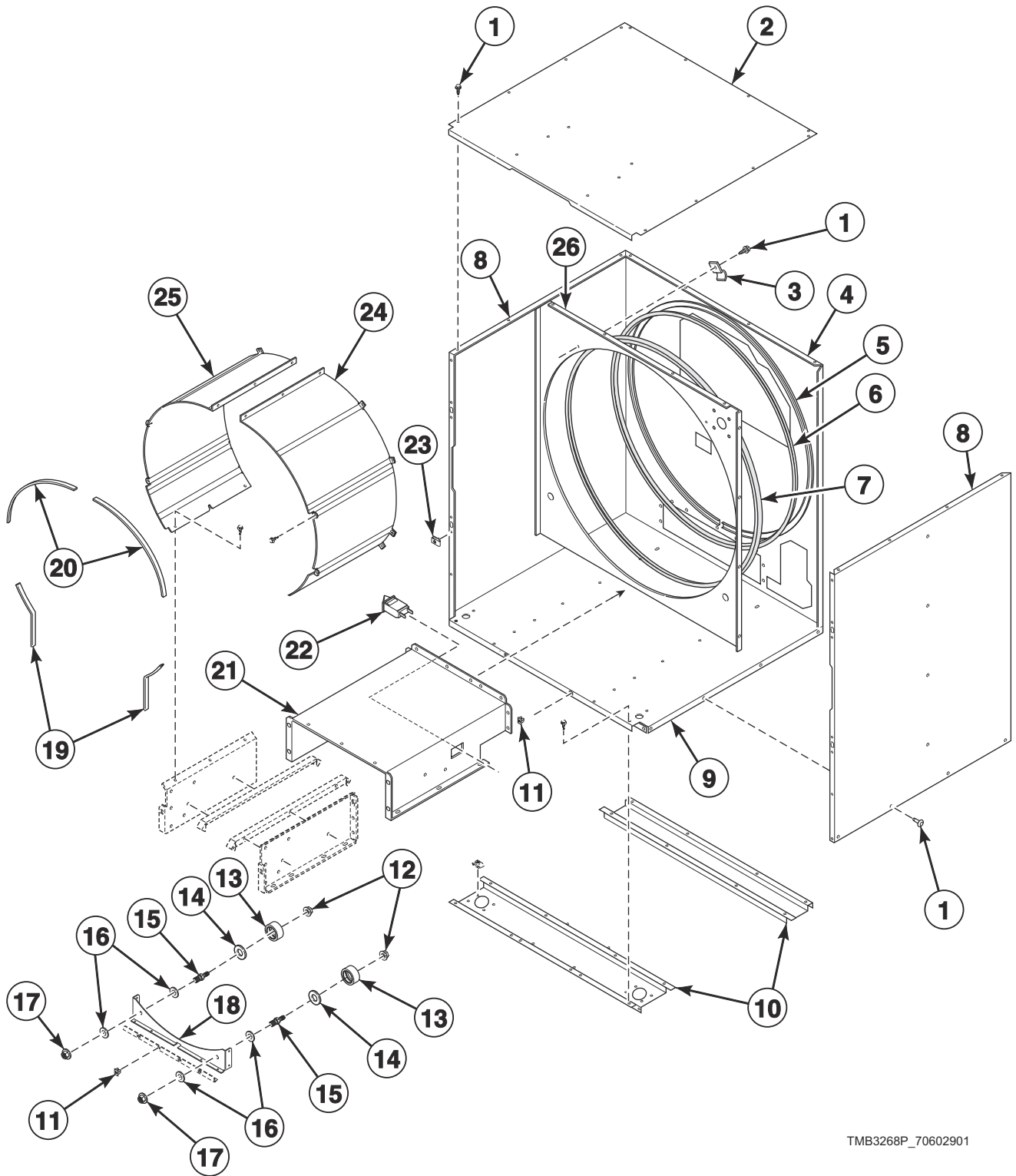


TMB3163PA_70602901

Bearing Components

REF	PART NO.	DESCRIPTION	COMMENTS
1	430352	Cylinder Bearing Stud Plate Assembly	
2	70013701P	Rear Cylinder Seal	Requires D511637P Adhesive
3	70506402	Rear Cylinder Seal Support	
4	70355001	Rear Bearing Shim	
5	70448701	Support Bearing	
6	70013901	Rear Cylinder Bearing Housing	
7	M400991	Washer	
8	M400034	Nut	
9	M400022	Nut	
10	M412986	Nut	

Cabinet Components



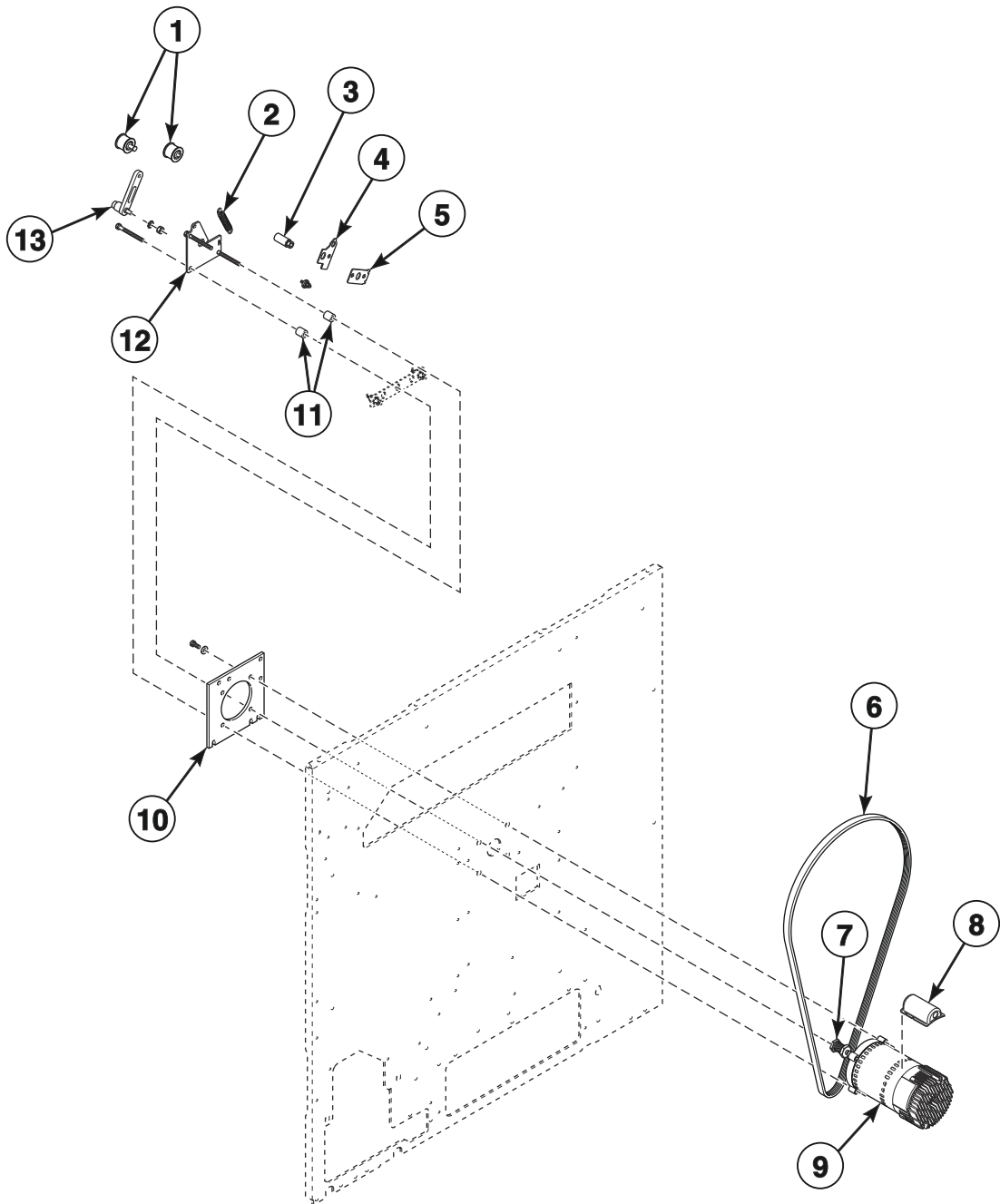
TMB3268P_70602901

Cabinet Components

REF	PART NO.	DESCRIPTION	COMMENTS
	298P4P	Spray Paint	White
	381P4	Spray Paint	Bisque
	122P4P	Porcelain Touch-Up Paint	White
	370P4P	Porcelain Touch-Up Paint	Bisque
	430352	Cylinder Bearing Stud Plate Assembly	
	70058501	Pop Rivet	
	21899	Nut	For leveling legs
	70247701	Screw	For leveling legs
1	430497	Screw	
2	70339601	Top Panel	Upper
3	70226701	Clip	
4	70560201	Rear Panel	Gas models
	70560202	Rear Panel	Electric and steam models
5	70506402	Rear Cylinder Seal Support	
6	70013701P	Rear Cylinder Seal	Requires D511637P Adhesive
7	70066003	Center Cylinder Seal Assembly	Includes center cylinder seal support and center cylinder seal
8	70231801*P	Side Panel	
9	70339501	Top Panel	Lower
10	70288201	Channel Base Assembly	
11	70030501	Expansion Clip	
12	430576	Nut	
13	70568201	Roller and Seal Kit	
14	70443601	Roller Seal	
15	70249501	Roller Shaft	
16	70261401	Washer	
17	70288801	Nut	
18	70339001	Roller Support Bracket	
19	70015711	Sheet Metal Edge Gasket	Lower
20	70015712	Sheet Metal Edge Gasket	Upper
21	70500101	Air Duct	Rear
22	431159	Switch	For lint drawer
23	70030401	Nut	
24	70339301	Cylinder Shroud	Right
25	70339302	Cylinder Shroud	Left
26	70339201	Center Partition	

* Add Letter To Designate Color. Q - Bisque W - White

Drive Motor Components

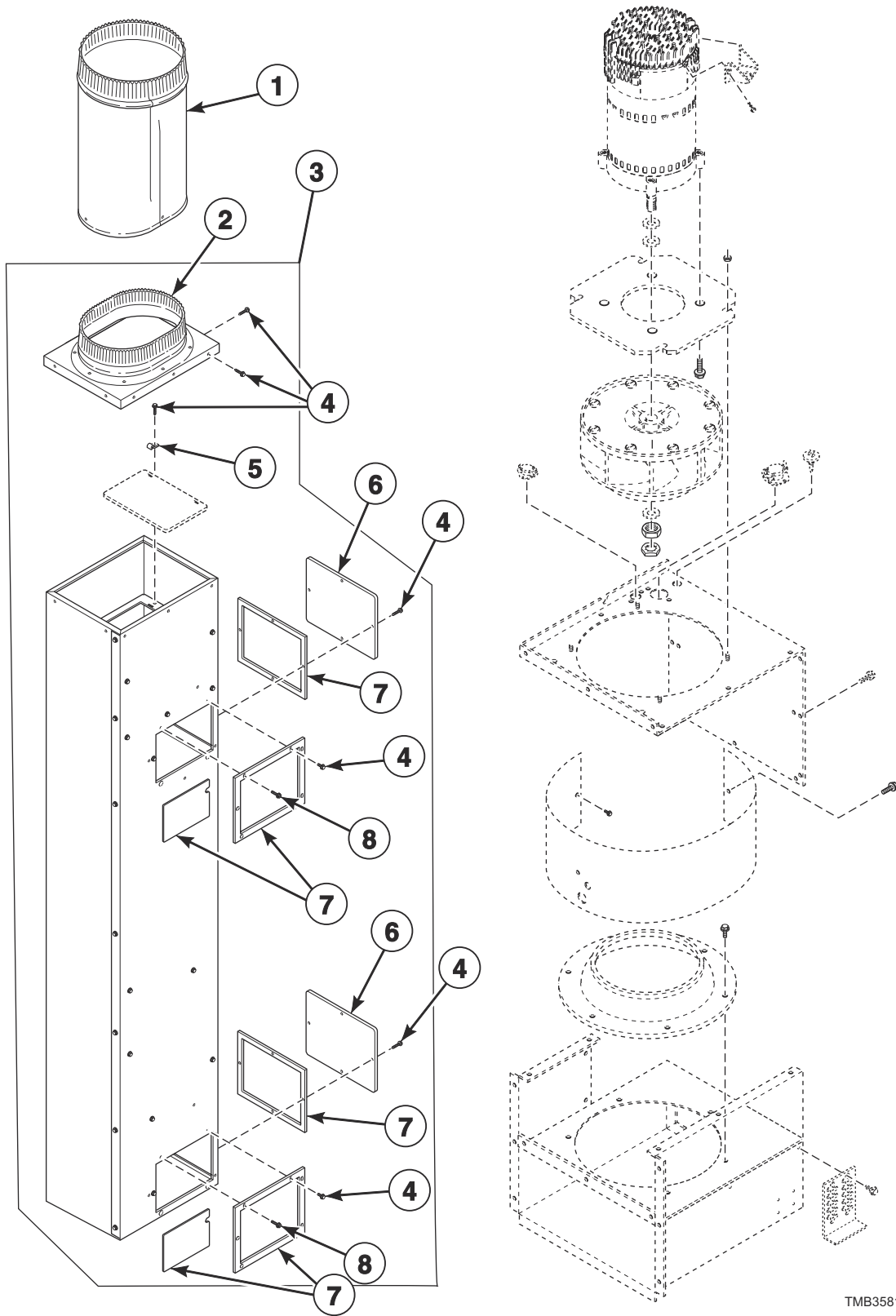


TMB3580P_70602901

Drive Motor Components

REF	PART NO.	DESCRIPTION	COMMENTS
	44333202	Nut	Use with item 7
	70144101	Key	Use with idler shaft
	70554901	Limit Access Bracket	Use with idler shaft
	44335303	Inverter Motor Harness	Cylinder
1	70050401P	Idler Wheel Assembly	
2	70571801	Spring	
3	70569603	Standoff	
4	70569501	Tensioning Bracket	
5	70543401	Spring Catch Bracket	
6	70276206	J-Belt	
7	70559101	Motor Pulley	
8	70521901	Motor Conduit Mounting Bracket	
9	70478601	Drive Motor	.33 HP; 120, 230 Volt/1 Phase
	70485001	Drive Motor	.33 HP; 460 Volt/3 Phase
10	70564201	Motor Mount Plate	
11	70488403	Spacer	
12	70571901	Drive Plate	
13	70543301	Pivot Arm Lever	

Exhaust Components

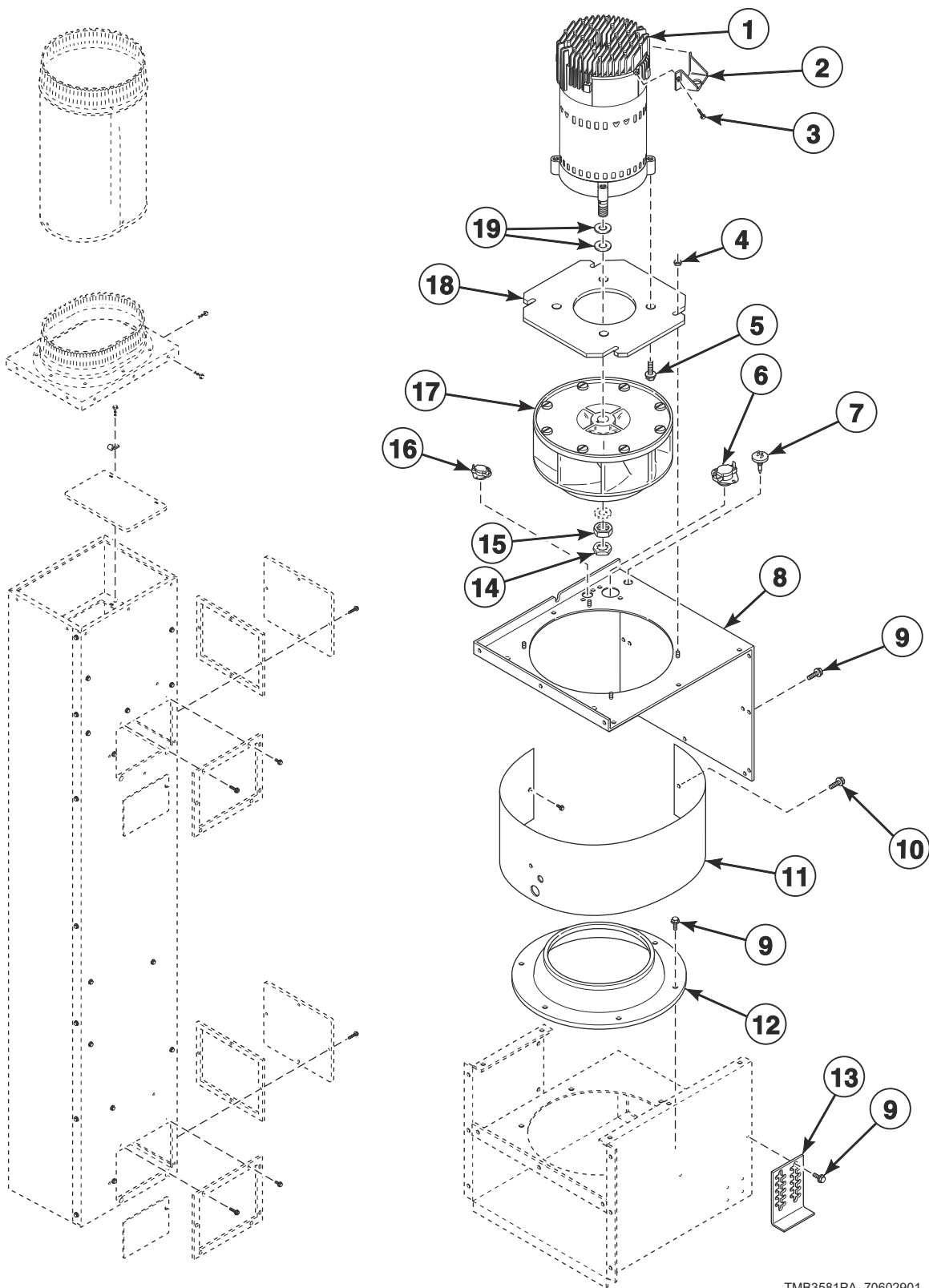


TMB3581P_70602901

Exhaust Components

REF	PART NO.	DESCRIPTION	COMMENTS
	70289101P	Lint Panel Gasket	Sold per foot
1	44154301	Exhaust Pipe	IEC models
2	70207501	Duct Cover	Classic models; Top
	70478101	Duct Cover	Eco models; Top
3	70528301	Exhaust Duct Assembly	CSA models
	70528302	Exhaust Duct Assembly	IEC models
	70528303	Exhaust Duct Assembly	Eco models
4	430497	Screw	12 required
5	70226701	Clip	
6	70340201	Duct Cover	2 required; Bottom
7	70340401	Exhaust Duct Gaskets Assembly	2 required
8	M411072	Screw	2 required

Blower Components

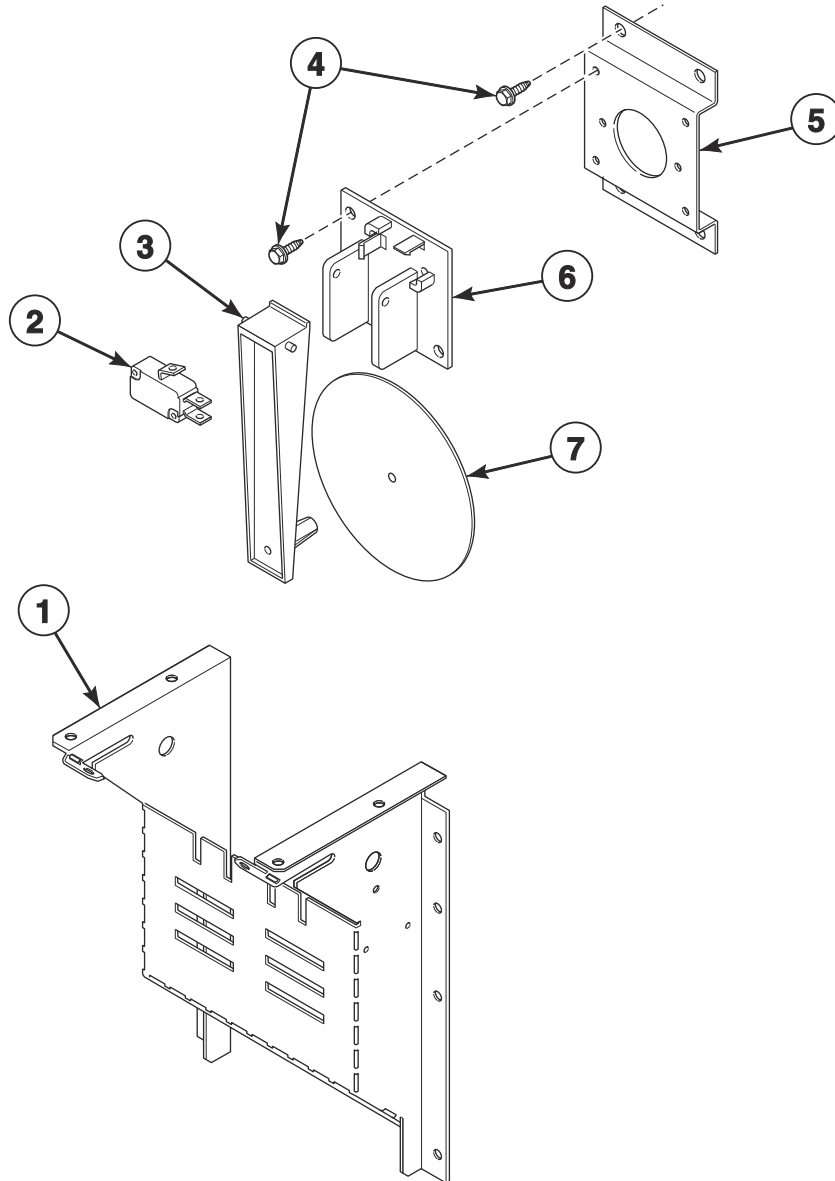


TMB3581PA_70602901

Blower Components

REF	PART NO.	DESCRIPTION	COMMENTS
	70392701P	Gasket	For blower housing opening
1	70478701	Fan Motor	.50 HP; 120, 230 Volt/1 Phase
	70484901	Fan Motor	.50 HP; 460 Volt/3 Phase
2	44317901	Motor Conduit Bracket	
3	23222	Screw	
4	29786	Nut	4 required
5	70126101	Screw	4 required
6	44328001	Limit Thermostat	
7	M414704	Thermistor	
8	70341402	Blower Housing Cover Assembly	
9	430497	Screw	12 required
10	51780	Screw	
11	70340801	Blower Housing Scroll	
12	70014101	Blower Inlet Cone	
13	70200301	Rear Stabilizer Bracket	
14	M400034	Nut	
15	M400022	Nut	
16	70530901	Limit Thermostat	
17	70359801P	Blower Assembly	
18	70341001	Blower Motor Mounting Plate	
19	M400991	Washer	3 required

Airflow Switch

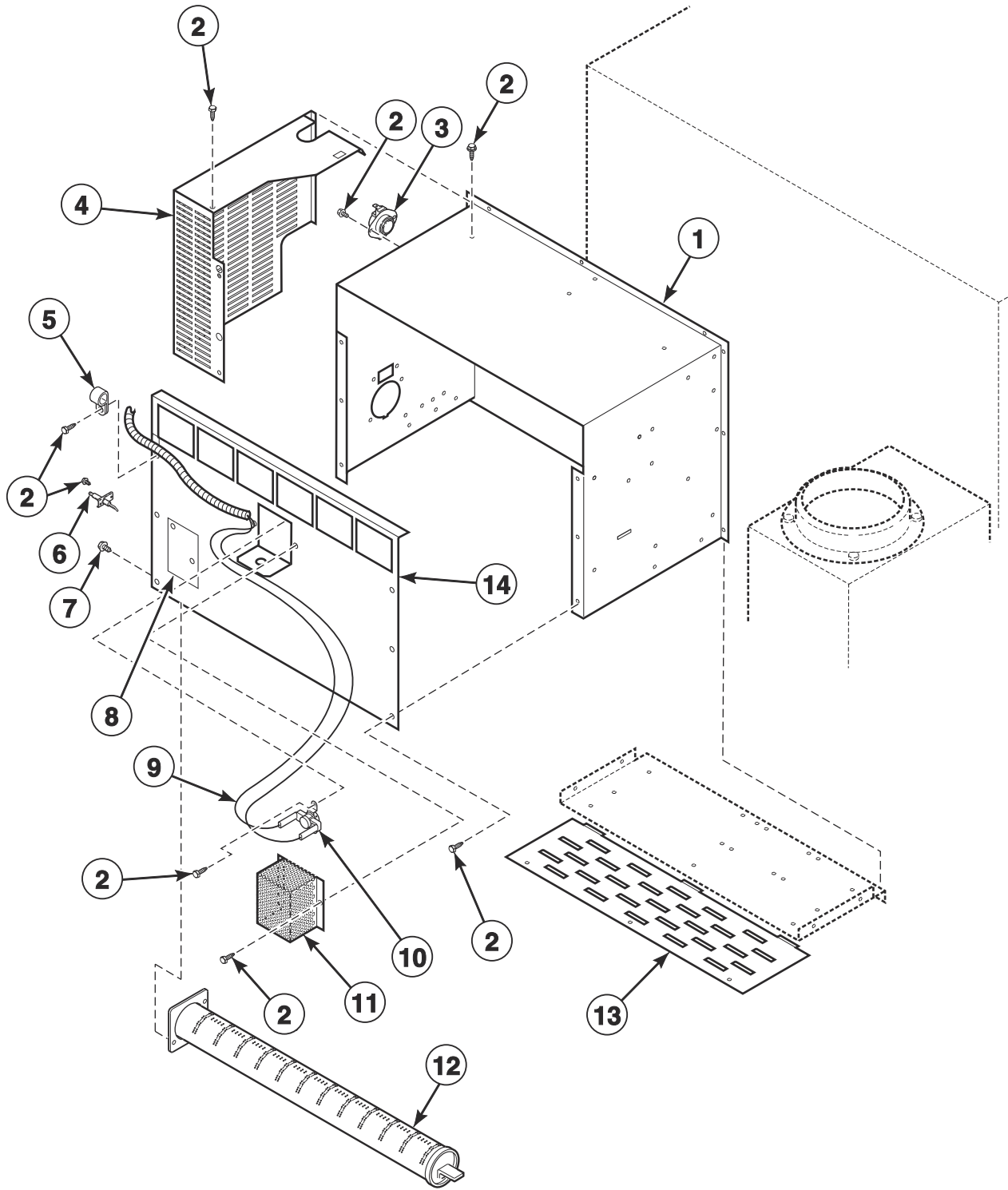


TMB3582P_70602901

Airflow Switch

REF	PART NO.	DESCRIPTION	COMMENTS
1	70356101	Airflow Switch Wrapper	
2	70411901	Switch	
3	70319401	Airflow Switch Arm	
4	430757	Screw	
5	70356301	Switch Bracket	
6	70319602	Airflow Switch and Arm Bracket	
7	70319201	Airflow Switch Vane	

Gas Burner Housing and Secondary Stove Limit

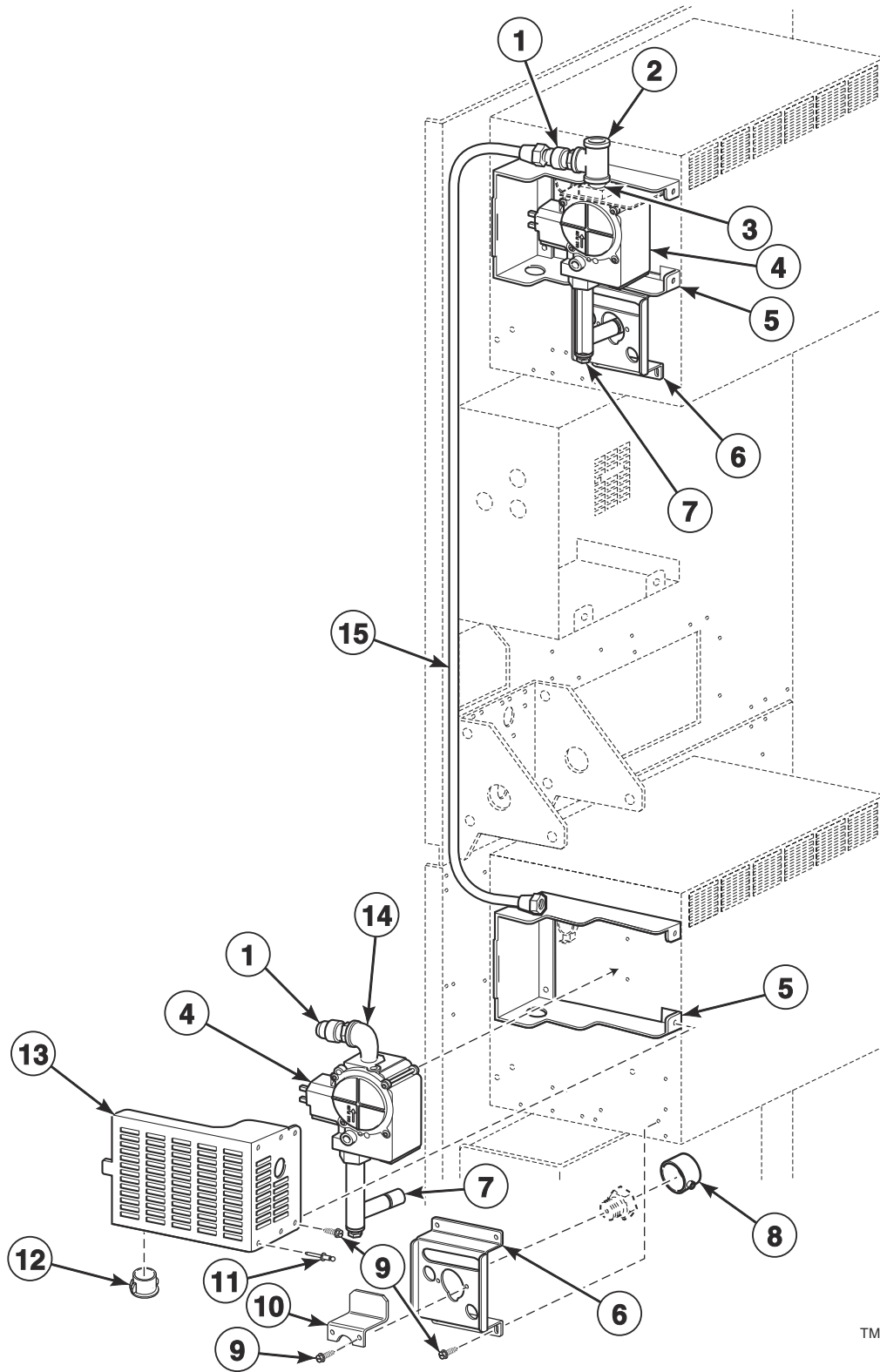


TMB2315P_70602901

Gas Burner Housing and Secondary Stove Limit

REF	PART NO.	DESCRIPTION	COMMENTS
1	70333401	Stove Top and Sides	
2	430497	Screw	
3	44328005	Limit Thermostat	Side
4	70233401	Gas Valve Cover	IEC models
5	70203701	Pipe Clip	
6	70548701P	Spark Electrode	
7	05161	Screw	
8	70159601	Igniter Cover	
9	70564301	Stove Limit Harness	
10	44328104	Limit Thermostat	Rear
11	M414477	Thermostat Cover	
12	70229801P	Gas Burner	
	70546701	Anti-Rattle Burner Assembly	Includes 70229801P Gas Burner, 431318 Control Door Latch and M400003 Pop Rivet
13	70188801	Burner Grill	
14	70371501	Stove Back	

Gas Valve and Piping

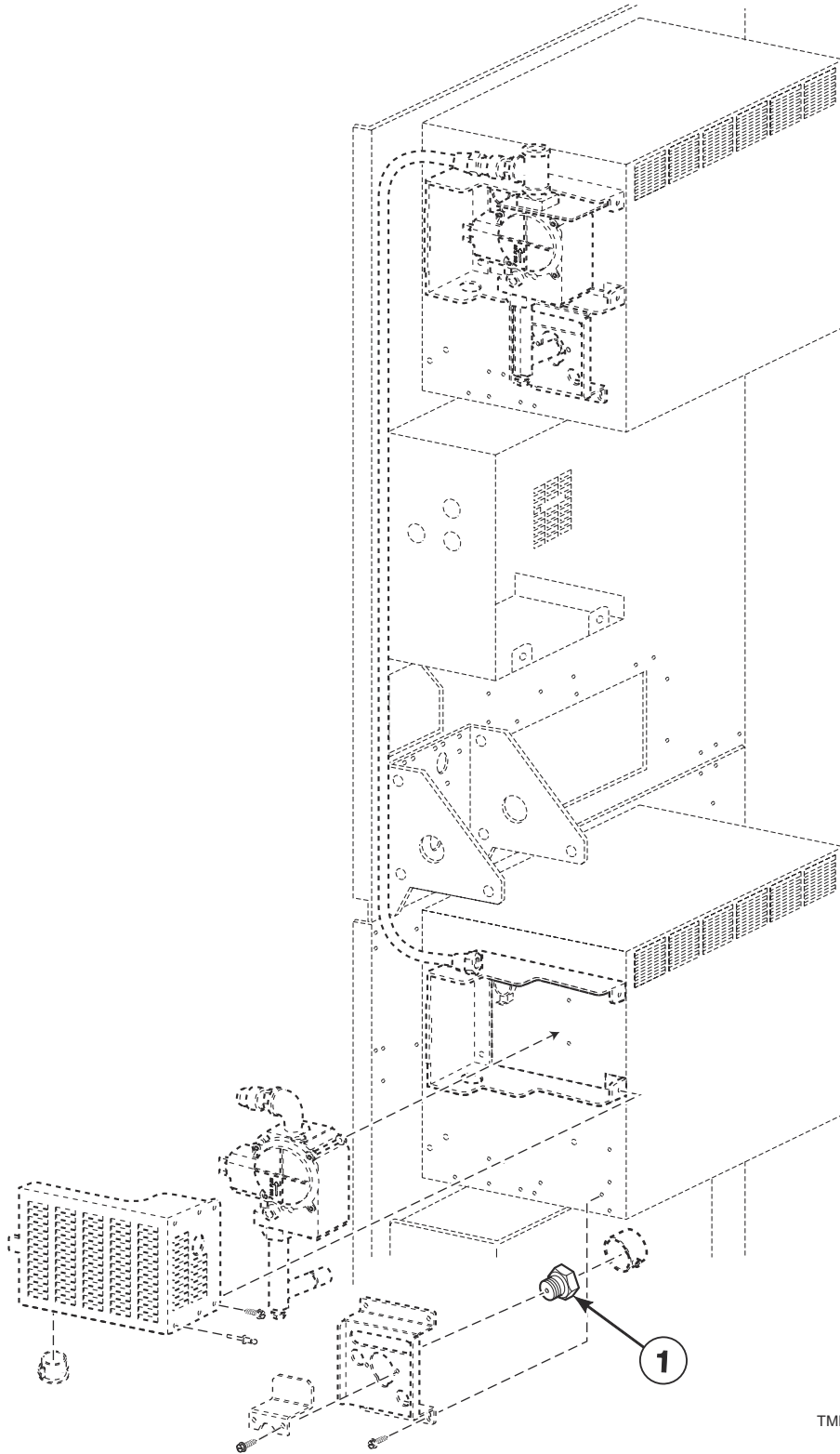


TMB3583P_70602901

Gas Valve and Piping

REF	PART NO.	DESCRIPTION	COMMENTS
	70550205	L.P. Conversion Kit	CSA and AGA models; Natural Gas (N.G.); 0-2,000 feet
	70551905	L.P. Conversion Kit	IEC models; N.G.; 0-2,000 feet
	70131901	Adapter	IEC models; BPT/NPT
	70167601	Plug	
	70500601	Power Harness	
	44273501	Gas Valve Harness	
	70564301	Stove Limit Harness	
	70535901	Notice Label	Australian models; N.G.
	70544901	Notice Label	Australian models; Liquid Petroleum (L.P.)
1	70262601	Pipe	
2	70071801	Tee	
3	431486	Pipe Nipple	
4	44154503	N.G. Valve	CSA models
	44154504	L.P. Valve	CSA models
	44154507	Gas Valve	IEC models; N.G.
	44154508	Gas Valve	IEC models; L.P.
5	70328201	Forward Valve Cover	
6	70248901	Orifice Holder Bracket	
7	70435901P	Orifice Adapter	
8	70239801	Primary Air Adjustment Sleeve	
9	430497	Screw	
10	70539901	Ignition Keeper Orifice Bracket	
11	70058501	Pop Rivet	3/16 inch
12	M400770	Snap Bushing	
13	70282401	Rear Valve Cover	
14	H86070034	Street Elbow	
15	70281601	Tube	

Burner Orifices



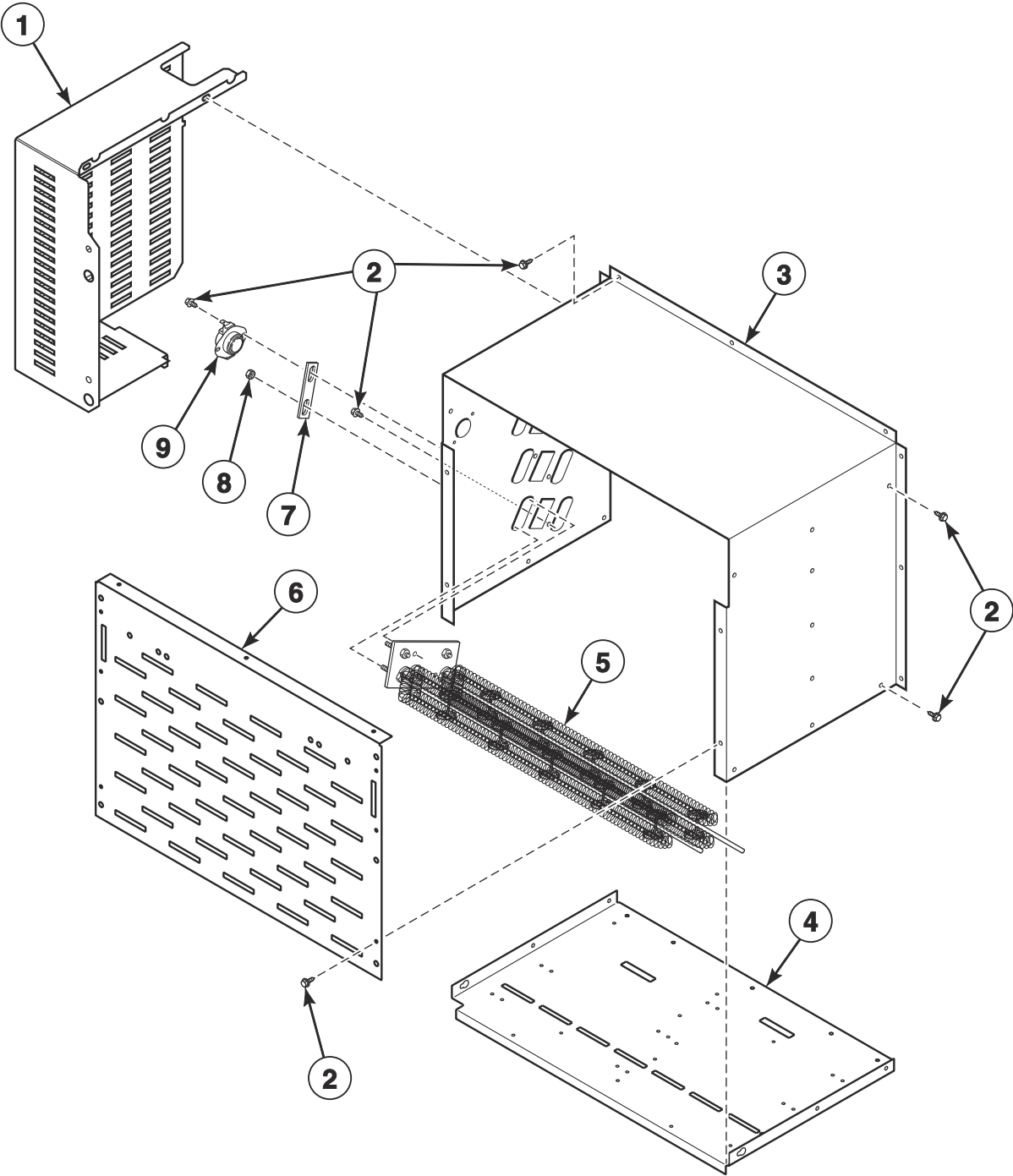
TMB3583PA_70602901

Burner Orifices

REF	PART NO.	DESCRIPTION	COMMENTS
1	M401002	Burner Orifice	Classic models; Natural Gas (N.G.); Drill no. 20 (4.09 mm); 0-2,000 feet
	M401020	Burner Orifice	Classic models; N.G.; Drill no. 23 (3.91 mm); 2,001-4,000 feet
	M402997	Burner Orifice	Classic models; N.G.; Drill no. 25 (3.80 mm); 4,001-6,000 feet
	M400998	Burner Orifice	Classic models; N.G.; Drill no. 27 (3.66 mm); 6,001-8,000 feet
	70476601	Burner Orifice	Classic models; N.G.; 3.50 mm; 8,001-10,000 feet
	M406361	Burner Orifice	Classic models with 2nd digit A, G, H, J, K, L and T; Liquid Petroleum Gas (L.P.); Drill no. 40 (2.49 mm); 0-2,000 feet
	M403017	Burner Orifice	Classic models with 2nd digit A, G, H, J, K, L and T; L.P.; Drill no. 42 (2.37 mm); 2,001-4,000 feet
	70070905	Burner Orifice	Classic models with 2nd digit A, G, H, J, K, L and T; L.P.; 2.30 mm; 4,001-6,000 feet
	70070906	Burner Orifice	Classic models with 2nd digit A, G, H, J, K, L and T; L.P.; 2.20 mm; 6,001-8,000 feet
	M401027	Burner Orifice	Classic models with 2nd digit A, G, H, J, K, L and T; L.P.; Drill no. 45 (2.08 mm); 8,001-10,000 feet
	M401011	Burner Orifice	CE classic models; L.P.; Drill no. 44 (2.18 mm); 0-2,000 feet
	M401027	Burner Orifice	CE classic models; L.P.; Drill no. 45 (2.08 mm); 2,001-4,000 feet
	M400999	Burner Orifice	CE classic models; L.P.; Drill no. 47 (1.99 mm); 4,001-6,000 feet
	M401001	Burner Orifice	CE classic models; L.P.; Drill no. 48 (1.93 mm); 6,001-8,000 feet
	M401018	Burner Orifice	CE classic models; L.P.; Drill no. 49 (1.85 mm); 8,001-10,000 feet
	70070906	Burner Orifice	Classic J market models; L.P.; 2.20 mm; 0-2,000 feet
	M400997	Burner Orifice	Eco models; N.G.; Drill no. 29 (3.45 mm); 0-2,000 feet
	44253801	Burner Orifice	Eco models; N.G.; 3.30 mm; 2,001-4,000 feet
	M402489	Burner Orifice	Eco models; N.G.; Drill no. 1/8 (3.18 mm); 4,001-6,000 feet
	M401017	Burner Orifice	Eco models; N.G.; Drill no. 31 (3.05 mm); 6,001-8,000 feet
M402444	Burner Orifice	Eco models; N.G.; Drill no. 32 (2.95 mm); 8,001-10,000 feet	

* NOTE: One orifice required per pocket

Electric Heater Components

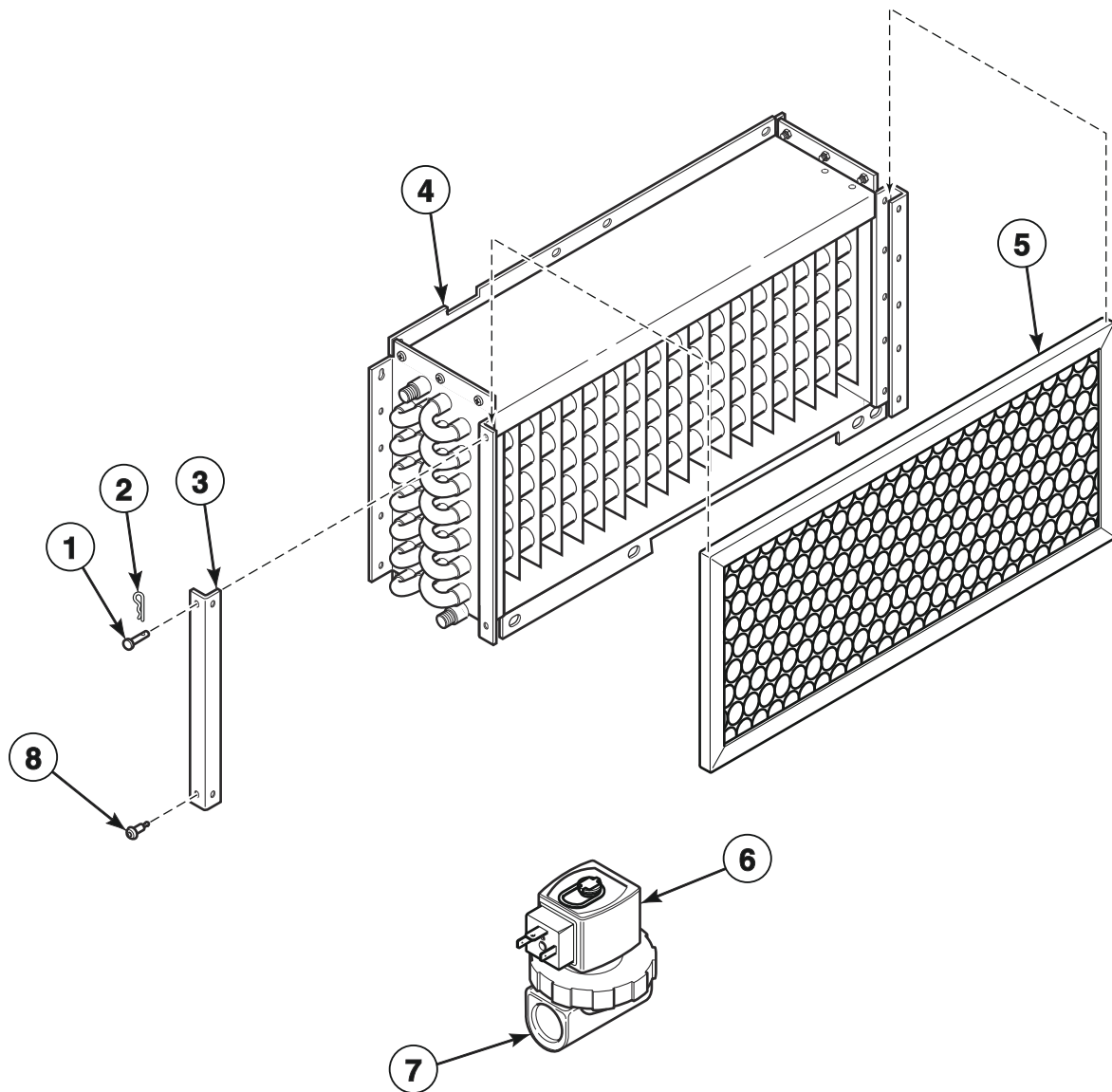


TMB3584P_70602901

Electric Heater Components

REF	PART NO.	DESCRIPTION	COMMENTS
	70564303	Stove Limit Harness	
	70500506	Jumper Harness	3 inch; 8 required for 380 and 400-415 Volt
	70500505	Jumper Harness	9 inch; 2 required for 440 and 460-480 Volt
1	70525701	Connector Cover	
2	430497	Screw	
3	70525601	Stove Top and Sides	
4	70357201	Stove Partition	
5	70034401P	Heater Element	Classic models; 3 required; 7 kW; 208 Volt heater element for 200-208 Volt/3 Phase
	70034402P	Heater Element	Classic models; 3 required; 7 kW; 220 Volt heater element for 380 and 440 Volt/3 Phase
	70034403P	Heater Element	Classic models; 3 required; 7 kW; 240 Volt heater element for 230-240 Volt/3 Phase and 400-415 and 460-480 Volt/3 Phase
	70034415P	Heater Element	Eco models; 3 required; 4 kW; 208 Volt heater element for 200-208 Volt/3 Phase
	70034414P	Heater Element	Eco models; 3 required; 4 kW; 220 Volt heater element for 380 and 440 Volt/3 Phase
	70034416P	Heater Element	Eco models; 3 required; 4 kW; 240 Volt heater element for 230-240 Volt/3 Phase and 400-415 and 460-480 Volt/3 Phase
6	70214901	Stove Grill	
7	M400869	Jumper Strip	12 required for 200-208 and 230-240 Volt; 6 required for all other voltages
	70066501	Jumper Bar	4 required for 440 and 460-480 Volt
8	70054	Nut	
9	44328007	Limit Thermostat	

Steam Heater Components

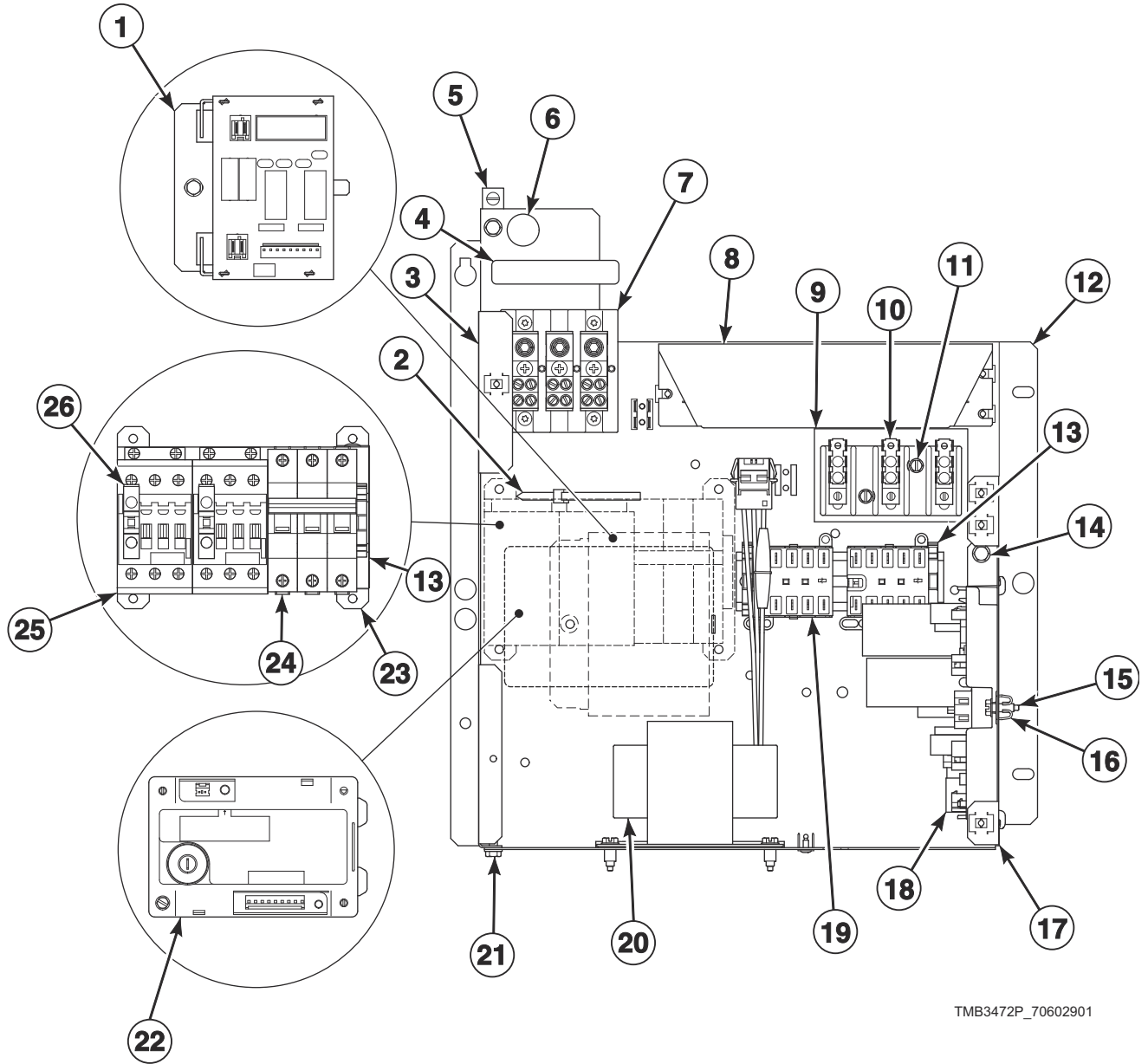


TMB3522P_70602901

Steam Heater Components

REF	PART NO.	DESCRIPTION	COMMENTS
	F8382301	DIN Valve Adapter Kit	Use with item 7
	70564302	Stove Limit Harness	
	F8520703	Steam Valve Harness	
	44304801	Strain Relief	
	70529601	Steam Adapter Kit	IEC models
1	70389201	Clevis Pin	
2	70389301	Hairpin Cotter	
3	70369301	Steam Filter Holder	
4	70369101P	Steam Coil	4 rows
5	70429401	Filter	IEC models
	70036001	Air Filter	CSA models
6	F8514701	Coil	120 Volt
	F8514601P	Coil	240 Volt
7	F8322904P	Steam Valve	120 Volt
	F8322906P	Valve	240 Volt
8	70058502	Pop Rivet	

Control Tray and Accessory Box



TMB3472P_70602901

Control Tray and Accessory Box

REF	PART NO.	DESCRIPTION	COMMENTS
	44071501	Snap Bushing	Gas models; Use with item 3; 7/8 inch
	70476001	Snap Bushing	Gas models; Use with item 3; 1/2 inch
	51783	Screw	Gas and steam models; Use with item 7
	39733	Screw	Electric models; Use with item 7
	685837	Screw	Use with item 5
	70500601	Power Harness	
	M413862	Insulator	Use with item 7, 9 and 10
1	70501801	Steam Control Assembly	Steam models
2	70335601	Cable Tie	
3	70520601	Junction Box Side	Electric models; Left side
	70526401	Junction Box Side	Gas models; Left side
	70536801	Junction Box Side	Steam models; Left side
4	44286803	Label	Wire L1, L2, L3
	44286801	Label	Wire L1, N
	44286804	Wire Label	L1 L2, L1 N, L1 L2 L3
5	M411283	Ground Lug Connector	
6	D516100	Label	
7	M413865	Power Distribution Block	Electric models
	44014901P	Power Distribution Block Cover	Electric models
	430642	Terminal Block	Gas and steam models
	70333001	Terminal Block Shield	Gas and steam models
8	F8591601	EMI Filter	IEC models; 100-120 and 200-240 Volt
	F8637501	EMI Filter	IEC models; 380-480 Volt
9	70333001	Terminal Block Shield	IEC models
10	430642	Terminal Block	IEC models
11	51783	Screw	IEC models
12	70531501	Junction Box Base Assembly	Electric models
	70531401	Junction Box Base Assembly	Gas and steam models
13	F8449801	End Stop	Electric models 3 required; Gas and steam models 2 required
14	430497	Screw	
15	F8206901	Screw	
16	70030501	Expansion Clip	
17	70520801	Control Board Tray	
18	70479201	I/O Control Assembly	
19	70482601	Contactors	1 required for 120-240 Volt; 2 required for 380-480 Volt
20	F8491101	Transformer	380-480 Volt
21	51780	Screw	
22	70482002	Ignition Control	IEC gas models
	70482001	Ignition Control	CSA gas models
23	70531701	Bracket Assembly	Electric models
24	70488101	Circuit Breaker	Electric models; 380-480 Volt
	70488102	Circuit Breaker	Electric models; 200-240 Volt
25	70482701	Contactors	Electric models
26	44313201	Auxiliary Contact Block	Electric models

Labels

PART NO.	DESCRIPTION	COMMENTS
70535101	Caution Label	Vent/install
F8614501	Danger Label	Shock; English/French
F8614301	Hot Surface Warning Label	English/French
F8609001	Hot Surface Warning Label	Icon
F8605501	Label	
F8614500	Label Kit	Shock
F8605500	Label Kit	
44321501	Notice Label	120/240 Volt
70539601	Notice Label	
70534201	Notice Label	
F8609501	Notice Label	
D516073	Notice Label	Read instructions; Icon
70538401	Pinch Warning Label	English/French
F8615701	Pinch Warning Label	Icon
F8614401	Shock Warning Label	English/French
F8614201	Shock Warning Label	Icon
70536301	Warning Label	Lint
44324101	Warning Label	Fire; Australian models
70534305	Warning Label	Fire; Colombian Spanish; Australian models
44321601	Warning Label	Risk of fire; Icon

Harnesses

PART NO.	DESCRIPTION	COMMENTS
44316009	Auxiliary Harness	1 Phase; Power Distribution block to RFI filter
44316010	Auxiliary Harness	3 Phase; Power Distribution block to RFI filter
70561401	Base Harness	
70531901	Conduit Assembly	Front and rear
44280007	Configuration Harness	120 Volt; Cylinder
44280006	Configuration Harness	120 Volt; Fan
44334604	Heat Control Harness	Gas and steam models
44334605	Heat Control Harness	Electric models
44316005	Harness	Electric models; 200-240 Volt; Control circuit breaker to EMI filter
44316006	Harness	Electric models; 380-480 Volt; Control circuit breaker to EMI filter
44309005	Harness	Electric CSA models; 200-240 Volt; Power distribution block to control circuit breaker
44309006	Harness	Electric CSA models; 380-480 Volt; Power distribution block to control circuit breaker
44309015	Harness	Electric IEC models; 200-240 Volt; Power distribution block to control circuit breaker
44309016	Harness	Electric IEC models; 380-480 Volt; Power distribution block to control circuit breaker
70500504	Harness	Electric models; Contactor to element
70500503	Harness	Electric models; Contactor to element; 200-240 Volt
44334702	Inverter Contactor Coil Harness	Secondary; 380-480 Volt
70561501	Junction Box Harness	
44316003	Main Harness	Gas and steam models; 1 Phase; Power Distribution block to filter
44316004	Main Harness	Gas and steam models; 3 Phase; Power Distribution block to filter
70561301	Main Harness	
44280009	Motor Contactor Power Harness	Electric models; 3 Phase
44280004	Motor Contactor Power Harness	Gas and steam models; 3 Phase
44280008	Motor Contactor Power Harness	Electric models; 1 Phase
44280011	Motor Contactor Power Harness	1 Phase; EMI
44280013	Motor Contactor Power Harness	3 Phase; EMI
44280002	Motor Contactor Power Harness	Gas and steam models; 1 Phase
44280103	Power Harness	Electric models; 380-480 Volt
44280102	Power Harness	Gas models; 380-480 Volt
44272103	Power Harness	Electric models; 100-240 Volt
44272102	Power Harness	Gas models; 100-240 Volt
44273602	Steam Control Harness	

Parts Index

A

Access Panel Trim	
70399401	31, 33
Adapter	
70131901	65
Air Duct	
70500101	53
Air Filter	
70036001	71
Airflow Switch and Arm Bracket	
70319602	61
Airflow Switch Arm	
70319401	61
Airflow Switch Vane	
70319201	61
Airflow Switch Wrapper	
70356101	61
Anti-Rattle Burner Assembly	
70546701	63
Auxiliary Contact Block	
44313201	73
Auxiliary Harness	
44316009	75
44316010	75

B

Base Harness	
70561401	75
Blower Assembly	
70359801P	59
Blower Housing Cover Assembly	
70341402	59
Blower Housing Scroll	
70340801	59
Blower Inlet Cone	
70014101	59
Blower Motor Mounting Plate	
70341001	59
Bracket Assembly	
70531701	73
Burner Grill	
70188801	63
Burner Orifice	
M40098	67
M400997	67
M400999	67
M401001	67
M401002	67
M401011	67
M401017	67
M401018	67
M401020	67
M401027	67
M402444	67
M402489	67
M402997	67
M403017	67

M406361	67
44253801	67
70070905	67
70070906	67
70476601	67
Bypass Harness	
44334103	35

C

Cable Tie	
70335601	73
Cam and Hinge Kit	
M4772P3	29
M4773P3	29
Caution Label	
70535101	74
Center Cylinder Seal Assembly	
70066003	53
Center Partition	
70339201	53
Central Pay Harness	
44342803	15
Channel Base Assembly	
70288201	53
Chassis Mounting Bracket	
70119001	15, 17
Circuit Breaker	
70488101	73
70488102	73
Clevis Pin	
70389201	71
Clip	
70226701	53, 57
Coil	
F8514601P	71
F8514701	71
Coin Drop	
38963P	21
39748	21
70441601	21
70441603	21
Coin Drop Assembly	
201141	21
210195	21
210196	21
38462P	21
38463	21
38467	21
38519	21
70281102	21
70283102	21
70441602	21
70447301	21
70471601	21
70482401	21
70506901	21
Coin Drop Kit	
CK077	21
CK122	23

N/A items do not appear in index.

Coin Identification Paper	
38464P	21
38475	21
38725	21
Coin Meter	
F0160737-00	21
Coin Vault and Emergency Stop Mount Assembly	
70529503	39
Coin Vault Assembly	
70529501	39
Coin Vault Switch Harness	
44334102	35
Coin Vault Trim	
70117502	39
Conduit Assembly	
70531901	75
Configuration Harness	
44280006	75
44280007	75
Connector Cover	
70525701	69
Contact Base	
F8538101	41
Contact Switch	
F8069501	41
Contacto	
70482601	73
70482701	73
Control Assembly	
70478801	15, 17
70478802	19
70479801	13
Control Board Tray	
70520801	73
Control Door and Studs Assembly	
70497401	15, 17
70497801	15, 17
70498001	15
70558501	13, 15, 17, 19
Control Door Latch	
431318	13, 15, 17, 19
Control Housing	
70119901	35
Control Housing Cover	
70307004	19
70307005	15, 17
70307006	15, 17
Control Trim	
70116901	37
70116902	37
70120501	37
Cylinder and Trunnion Assembly	
70443902	47
70443904	47
70443905	47
Cylinder Assembly	
70372502P	47
70372504P	47
70372505P	47
Cylinder Bearing Stud Plate Assembly	
430352	51, 53
Cylinder Guide Tool	
263P4	47
Cylinder Rib Assembly	
70433002	47

N/A items do not appear in index.

Cylinder Shroud	
70339301	53
70339302	53

D

Danger Label	
F8614501	74
DIN Valve Adapter Kit	
F8382301	71
Door Assembly	
70212300	25
70212301	25
70212302	25
70408901	25
Door Glass	
M400784P	27
Door Glass Installation Tool	
M4221P4	27
Door Glass Seal Kit	
70211901P	27
Door Handle	
44007902P	27
Door Hinge	
70115901*	29
70115903B	29
70115904	29
Door Hinge Lug Assembly	
44035001	29
44035002	29
Door Latch	
M401223	35, 39
Door Ring	
70543903B	27
Door Ring Assembly	
70543901	27
70543904B	27
70543905	27
Door Ring Gasket	
70296801	27
Door Switch Actuator	
70532101	29
70532102	29
Drive Motor	
70478601	55
70485001	55
Drive Plate	
70571901	55
Drywall Screw Magnet Kit	
70343101P	47
Duct Cover	
70207501	57
70340201	57
70478101	57

E

Electronic Coin Drop Assembly	
70294107	21
70513302	21
70513303	21
70513304	21
70513306	21

70513308	21
70513309	21
70513310	21
70513311	21
70513312	21
70513313	21
70513314	21
70513315	21
70513316	21
Electronic Coin Drop Kit	
CK099	23
CK100	23
CK101	23
CK108	23
CK109	23
CK110	23
CK113	23
CK115	23
CK116	23
CK117	23
CK118	23
CK119	23
CK120	23
CK121	23
Emergency Stop Button Kit	
70580301	41
Emergency Stop Bypass Harness	
F8519403	41
Emergency Stop Harness	
44272401	41
44272402	41
Emergency Stop Label	
44012901	41
44012903	41
Emergency Stop Mounting Bracket	
70550401	41
Emergency Stop Pushbutton	
F200233500	41
EMI Filter	
F8591601	73
F8637501	73
End Cap	
70070101	47
70070102	47
End Stop	
F8449801	73
Exhaust Duct Assembly	
70528301	57
70528302	57
70528303	57
Exhaust Duct Gaskets Assembly	
70340401	57
Exhaust Pipe	
44154301	57
Expansion Clip	
70030501	53, 73

F

False Front	
70371704	31
False Front Kit	
70371701*P	31

Fan Motor	
70478701	59
70484901	59
Filter	
70429401	71
Forward Valve Cover	
70328201	65
Front Panel Baffle Seal	
70017301	37, 39
Front Panel Seal	
70173401P	31, 33

G

Gas Burner	
70229801P	63
Gas Valve	
44154507	65
44154508	65
Gas Valve Cover	
70233401	63
Gas Valve Harness	
44273501	65
Gasket	
70392701P	59
Ground Lug Connector	
M411283	73

H

Hairpin Cotter	
70389301	71
Handle Bar	
70399502B	27
Harness	
44309005	75
44309006	75
44309015	75
44309016	75
44316005	75
44316006	75
70500503	75
70500504	75
Heat Control Harness	
44334604	75
44334605	75
Heater Element	
70034401P	69
70034402P	69
70034403P	69
70034414P	69
70034415P	69
70034416P	69
Hot Surface Warning Label	
F8609001	74
F8614301	74

I

Idler Wheel Assembly	
70050401P	55

N/A items do not appear in index.

Igniter Cover	
70159601	63
Ignition Control	
70482001	73
70482002	73
Ignition Keeper Orifice Bracket	
70539901	65
Insulator	
M413862	73
Interconnect Harness	
44272105	41
Inverter Contactor Coil Harness	
44334702	75
Inverter Motor Harness	
44335303	55
I/O Control Assembly	
70479201	73

J

J-Belt	
70276206	55
Jumper Bar	
70066501	69
Jumper Harness	
70500505	69
70500506	69
Jumper Strip	
M400869	69
Junction Box Base Assembly	
70531401	73
70531501	73
Junction Box Harness	
70561501	75
Junction Box Side	
70520601	73
70526401	73
70536801	73

K

Key	
70144101	55
70155601	35
70155602	43
Kickplate	
70117605	39

L

Label	
D516100	73
F8605501	74
44286801	73
44286803	73
70414001	27
Label Kit	
F8605500	74
F8614500	74
70534300	33

Latch Mounting Bracket	
70184501	13, 15, 17, 19
Limit Access Bracket	
70554901	55
Limit Thermostat	
44328001	59
44328005	63
44328007	69
44328104	63
70530901	59
Lint Drawer Front Kit	
70322901P	43
70322902P	43
Lint Drawer Gasket	
70117901P	37, 39
Lint Drawer Handle	
70320801	43
70320802	43
Lint Drawer Handle Plate	
70323201	43
Lint Frame Gasket	
70333101	43
Lint Panel and Studs Assembly	
70322903	43
70322906	43
Lint Panel Gasket	
70289101P	57
Lint Screen Assembly	
70290601	43
Lint Screen Bracket	
70026901	43
Lock Shim	
70342401	43
70342402	43
Lock, Key and Nut Kit	
44089301P	35
44089302P	43
Lower Front Panel	
70524001*	33
70524002	33
70524003*	33
70524004	33
70524013*	33
70524014	33
L.P. Conversion Kit	
70550205	65
70551905	65
L.P. Valve	
44154504	65

M

Machine ID Control Assembly	
203361P	15, 17, 19
Main Harness	
44316003	75
44316004	75
70561301	75
Motor Conduit Bracket	
44317901	59
Motor Conduit Mounting Bracket	
70521901	55
Motor Contactor Power Harness	
44280002	75

N/A items do not appear in index.

44280004	75
44280008	75
44280009	75
44280011	75
44280013	75
Motor Mount Plate	
70564201	55
Motor Pulley	
70559101	55
Mounting Plate	
70208801	15, 17

N

Nameplate Overlay	
44144401	35
70411401	35
Notice Label	
D516073	74
F8609501	74
44321501	74
70534201	74
70535901	65
70539601	74
70544901	65
Nut	
M400022	51, 59
M400034	51, 59
M400035	49
M412986	47, 51
M414215	27
Q6163	69
21899	53
29786	59
430576	53
44087101	13, 15, 17, 19, 43
44088001	27, 29
44088801	35, 43
44333202	55
70030401	53
70054	15, 17
70288801	53
N.G. Valve	
44154503	65

O

Opto Coupler	
200674P	21
Orifice Adapter	
70435901P	65
Orifice Holder Bracket	
70248901	65
Overlay	
F8205101	15
70136401	45
70516901	13
70516902	13
70542001	37
70544801	15
70544802	15
70547101	15
70547201	15
70547301	15

70547302	15
70547601	13
70547602	13
70547701	19
70547702	19
70547901	45
70554501	37
70557001	15
70557002	15
70572501	19
70572502	19
70572701	17
70573101	45
70573301	17
70580601	45
70592901	37

P

Panel Clip	
M406494	35
Panel Lock	
44089304	35
44089305	43
Pin	
70071401	29
Pinch Warning Label	
F8615701	74
70538401	74
Pipe	
70262601	65
Pipe Clip	
70203701	63
Pipe Nipple	
431486	65
Pivot Arm Lever	
70543301	55
Plug	
70167601	65
Pop Rivet	
M400003	13, 15, 17, 19
44166601	35, 39
44251101	35
70058501	29, 53, 65
70058502	71
70126301	39
70412601	27
Porcelain Touch-Up Paint	
122P4P	53
370P4P	53
Power Distribution Block	
M413865	73
Power Distribution Block Cover	
44014901	73
Power Harness	
44272102	75
44272103	75
44280102	75
44280103	75
70500601	65, 73
Power Supply Transformer Harness	
44272303	15, 17
Primary Air Adjustment Sleeve	
70239801	65

N/A items do not appear in index.

Pushbutton Switch 70413301	35, 39
-------------------------------------	--------

R

Rear Bearing Shim 70355001	51
Rear Cylinder Bearing Housing 70013901	51
Rear Cylinder Channel 70257101	47
70257102	47
Rear Cylinder Channel Plate 70257201	47
Rear Cylinder Seal 70013701P	51, 53
Rear Cylinder Seal Support 70506402	51, 53
Rear Panel 70560201	53
70560202	53
Rear Stabilizer Bracket 70200301	59
Rear Valve Cover 70282401	65
Roller and Seal Kit 70568201	53
Roller Seal 70443601	53
Roller Shaft 70249501	53
Roller Support Bracket 70339001	53

S

Screw	
D501524	13, 15, 17, 19
F8206901	73
M400044	29
M400661	27
M405188	37
M411072	17, 57
05161	63
23222	59
39733	73
430497	47, 53, 57, 59, 63, 65, 69, 73
430757	61
51780	59, 73
51783	73
62588	47
685837	73
70033502	29, 35, 39
70069901	39
70126101	59
70182601	35, 39
70247701	53
70275801	37, 39
70391101	47
70407301	29
70436301	29
70442101	27
70576101	29

Shadow Box Clip M400972	35, 39
Sheet Metal Edge Gasket 70015711	53
70015712	53
Shock Warning Label F8614201	74
F8614401	74
Side Panel 70231801*P	53
Slip Ring Assembly 44222701	49
Slip Ring Holder 70455401	49
Slot Card Plate Assembly 44089501	15, 17
Snap Bushing M400770	65
44071501	73
70476001	73
Spacer 431264	35
70488403	55
Spark Electrode 70548701P	63
Spray Paint 298P4P	53
381P4	53
Spring 70571801	55
Spring Catch Bracket 70543401	55
Standoff 70569603	55
Steam Adapter Kit 70529601	71
Steam Coil 70369101P	71
Steam Control Assembly 70501801	73
Steam Control Harness 44273602	75
Steam Filter Holder 70369301	71
Steam Valve F8322904P	71
Steam Valve Harness F8520703	71
Stove Back 70371501	63
Stove Grill 70214901	69
Stove Limit Harness 70564301	63, 65
70564302	71
70564303	69
Stove Partition 70357201	69
Stove Top and Sides 70333401	63
70525601	69
Strain Relief 44304801	71

N/A items do not appear in index.

Street Elbow H86070034	65
Supply Harness 44272306	15, 17
Support Bearing 70448701	51
Switch 431159	53
70411901	61
Switch Bracket 70356301	61

T

Tee 70071801	65
Tensioning Bracket 70569501	55
Terminal Block 430642	73
Terminal Block Shield 70333001	73
Thermistor M414704	59
Thermostat Cover M414477	63
Top Panel 70339501	53
70339601	53
Transformer F8491101	73
202757	15, 17
202758	15, 17
Transformer Harness 44272304	15, 17
44272305	15, 17
Trunnion and Seal Kit 70564803	47
70564804	47
Tube 70281601	65
Tumbler Dolly Kit M4379P4	39

U

Upper Front Panel Assembly 70523901*P	31
70523902	31

V

Valve F8322906P	71
Vend Activation Harness 70577101	13, 15, 17, 19

W

Warning Label M410892	37, 39
44321601	74
44324101	74
70534301	33
70534302	33
70534305	74
70536301	74
Washer M400991	51, 59
70261401	53
70409301	27
70411301	47
Wire Guard 201595P	21
Wire Label 44286804	73
Wireless Network Board Harness F8536002	17
Wireless Network Control Assembly 203532	17
Wireless Network Kit 70596302	17
