



Mod.	From serial N°. A partir máq. N°.
L1125	1.040.001

# Parts Handbook for Washers

## Manual de Despiece para lavadoras

## Notice Vues Eclatées pour laveuses

# L1125

---

**GIRBAU, SA**

Crta de Manlleu, km. 1  
08500 VIC (Barcelona) • SPAIN

**Comercial:**

Tel.(+ 34) 902 300 359  
[comercial@girbau.es](mailto:comercial@girbau.es)

**Internacional:**

Tel.(+ 34) 938 862 219  
[sales@girbau.es](mailto:sales@girbau.es)

**Posventa:**

Tel.(+ 34) 902 300 357  
[sat@girbau.es](mailto:sat@girbau.es)

**Para USA y CANADÁ:**

**CONTINENTAL GIRBAU Inc.**  
2500 State Road 44  
WI 54904 Oshkosh • USA  
Tel. 1(920) 231-8222  
[info@continentalgirbau.com](mailto:info@continentalgirbau.com)  
[www.continentalgirbau.com](http://www.continentalgirbau.com)

**Parts Handbook  
Despiece  
Vues Eclatées**

# L1125



## NOTES TO USE PARTS LIST

Sheets no. 1,2,3,4,7 & 8:  
Are common for all versions.

Sheet no. 5:  
Relates to CM version.

Sheet no. 6:  
Relates to PM/SM versions.

Sheet no. 9:  
The left side detail just refers to three water inlets machines (PM only).

Sheet no. 10:  
Relates to electrical heated machines.

Sheet no. 11:  
Relates to steam heated machines.

Sheet no. 12:  
Relates to machines equipped with second drain.

## ACLARACIONES PARA EL USO DEL DESPIECE

Hojas nº 1,2,3,4,7 y 8:  
Son comunes a todas las variantes.

Hoja nº 5:  
Corresponde a la variante CM.

Hoja nº 6:  
Corresponde a las variantes PM/SM.

Hoja nº 9:  
La parte izquierda es sólo para las máquinas con tres entradas de agua (Sólo PM).

Hoja nº 10:  
Corresponde a las máquinas con calefacción eléctrica.

Hoja nº 11:  
Corresponde a las máquinas con calefacción a vapor.

Hoja nº 12:  
Corresponde a las máquinas con segundo desagüe.

## NOTES UTILISATION VUES ECLATEES

Feuilles no.1,2,3,4,7 et 8:  
Sont communes à toutes les versions.

Feuille no. 5:  
Correspond à la version CM.

Feuille no. 6:  
Correspond aux versions PM/SM.

Feuille no. 9:  
La partie gauche est seulement pour les machines à trois arrivées d'eau (Seulement PM).

Feuille no. 10 :  
Correspond aux machines à chauffage électrique.

Feuille no. 11 :  
Correspond aux machines à chauffage à vapeur.

Feuille no. 12 :  
Correspond aux machines avec second drainage.

### VERY IMPORTANT:

Before ordering parts be sure they have not been modified. Check it on modification sheet, after the corresponding sheet.

### MUY IMPORTANTE:

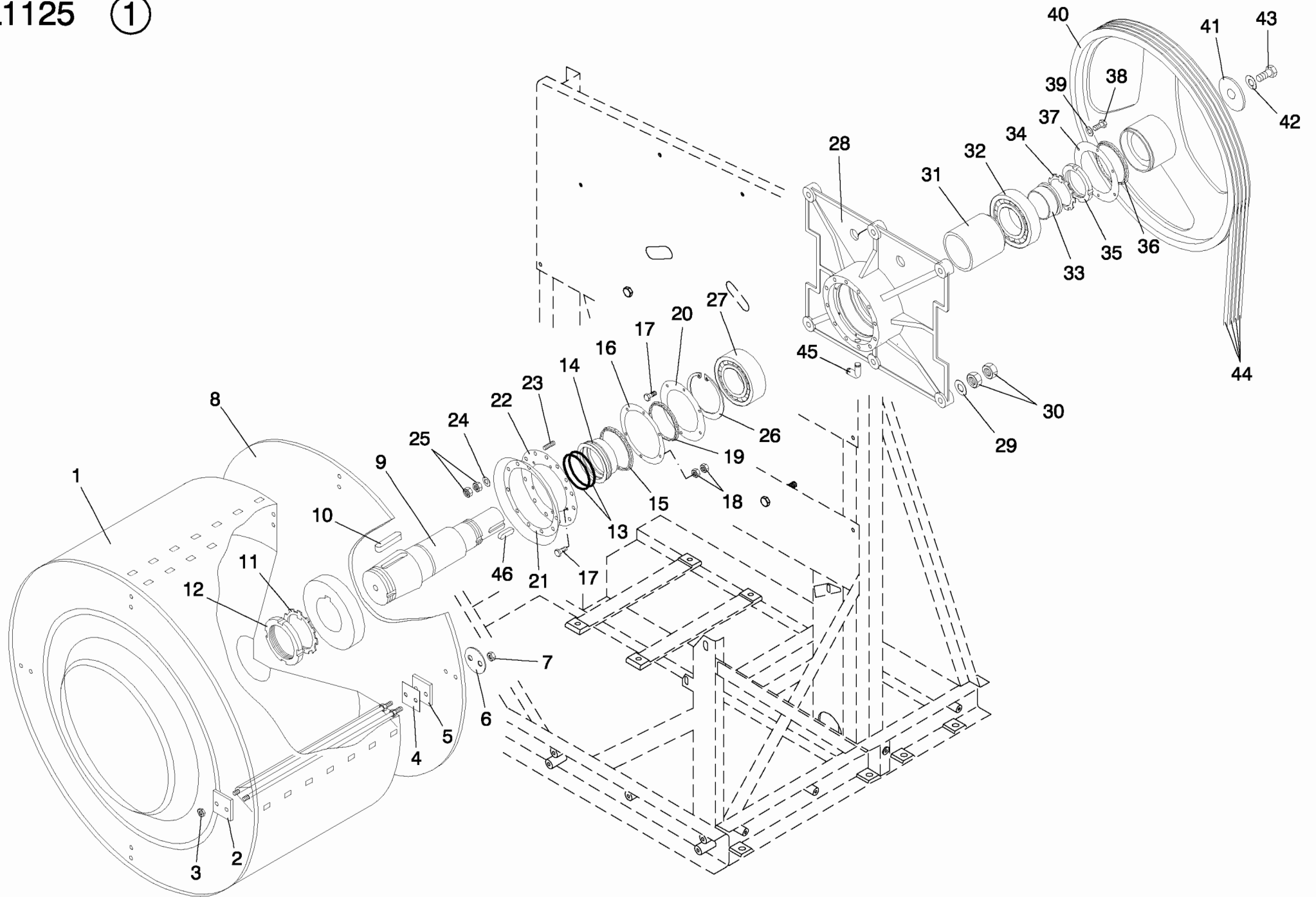
Al pedir una pieza cerciorarse antes de que la misma no ha sido modificada. Si lo hubiese sido, estaría situada como hoja de modificaciones, detrás de la hoja correspondiente.

### TRES IMPORTANT:

Avant de commander une pièce, s'assurer qu'elle n'a pas été modifiée. Le vérifier sur feuille de modifications, derrière la feuille correspondante.



L1125 ①



Nº	REF	DENOMINATION	DENOMINACIÓN	DENOMINATION
1	269068	* BASKET BODY	CUERPO TAMBOR	CORPS TAMBOUR
2	213702	BASKET SHOVEL RENFORT	REFUERZO PALA TAMBOR	REFORT PALETTE TAMBOUR
3	213835	BASKET STRETCHER NUT	TUERCA TIRANTE TAMBOR	ECROU TIRANT TAMBOUR
4	213710	BASKET CENTERING PIECE	PIEZA CENTRADO TAMBOR	PIECE CENTRAGE TAMBOUR
5	213728	BASKET CENTERING PIECE	PIEZA CENTRADO TAMBOR	PIECE CENTRAGE TAMBOUR
6	289694	BASKET COUPLING WASHER	ARANDELA PLATO TAMBOR	RONDELLE PLAT TAMBOUR
7	149997	INOX HEX NUT DIN 934 M-16	TUER.EX.DIN934 INOX A2-70 M16	ECROU HEX.INOX DIN 934 M-16
8	269134	BASKET COUPLING	ACOPLAMIENTO TAMBOR	ASSAMBLAGE TAMBOUR
9	268755	BASKET SHAFT	EJE TAMBOR	PALIER TAMBOUR
10	163550	PIN DIN 6885-A 90X32X18	CHAVETA DIN 6885-A 90X32X18	CLAVETTE DIN 6885-A 90X32X18
11	213876	BASKET SHAFT WASHER	ARANDELA EJE TAMBOR	RONDELLE PALIER TAMBOUR
12	163543	FIXING NUT KM21	TUERCA FIJACION TAMBOR	ECROU FIXATION KM21
13	197756	TORIC GASKET 100X110X5	JUNTA TORICA 100X110X5	JOINT TORIQUE 100X110X5
14	267880	SEAL RING	ANILLO RETENES	BAGUE RESERVES
15	197723	RING V-RING V-140 A VITON	ANILLO V-RING V-140 A VITON	BAGUE V-RING V-140 A VITON
16	272526	SEAL COVER PLATE	PLATINA TAPA RETEN	PLAT COUVERCLE RESERVES
17	144782	INOX HEX SCREW DIN933 M 5X15	TOR.EX.DIN933INOX A2-70 M 5X15	VIS HEX INOX DIN933 M 5X15
18	149914	INOX HEX. NUT DIN 934 M-5	TUER.EX.DIN934 INOX A2-70 M 5	ECROU HEX. INOX DIN 934 M-5
19	197731	RING V-RING V-120 A	ANILLO V-RING V-120 A NBR510	BAGUE V-RING V-120 A
20	272534	LOWER SEAL COVER PLATE	PLATINA TAPA RETEN INFERIOR	PLAT COUVERCLE RESERVE INFER.
21	268946	V-RING PROTECTION	PROTECCION V-RING	PROTECTION V-RING
22	272559	BEARING BOX COVER	TAPA CAJA COJINETES	COUVERCLE BOITE ROULEMENTS
23	267948	SEAL COVER BUMP	ESPARRAGO TAPA RETEN	GOUJON COUVERCLE RESERVE
24	149351	INOX A2 WASHER DIN 125 8,4	ARAN. DIN125 INOX A2 8,4	RONDELLE INOX A2 DIN 125 8,4
25	149963	INOX HEX NUT DIN 934 M-8	TUER.EX.DIN934 INOX A2-70 M 8	ECROU HEX. INOX DIN 934 M-8
26	198010	FLEXIBLE RING I-165 DIN 472	ANILLO ELASTICO I-165 DIN 472	BAGUE ELASTIQUE I-165 DIN 472
27	197681	BEARING 23120	RODAMIENTO 23120 CC/W33	ROULEMENT 23120
28	267856	BEARING BOX	CAJA COJINETES	BOITE ROULEMENTS

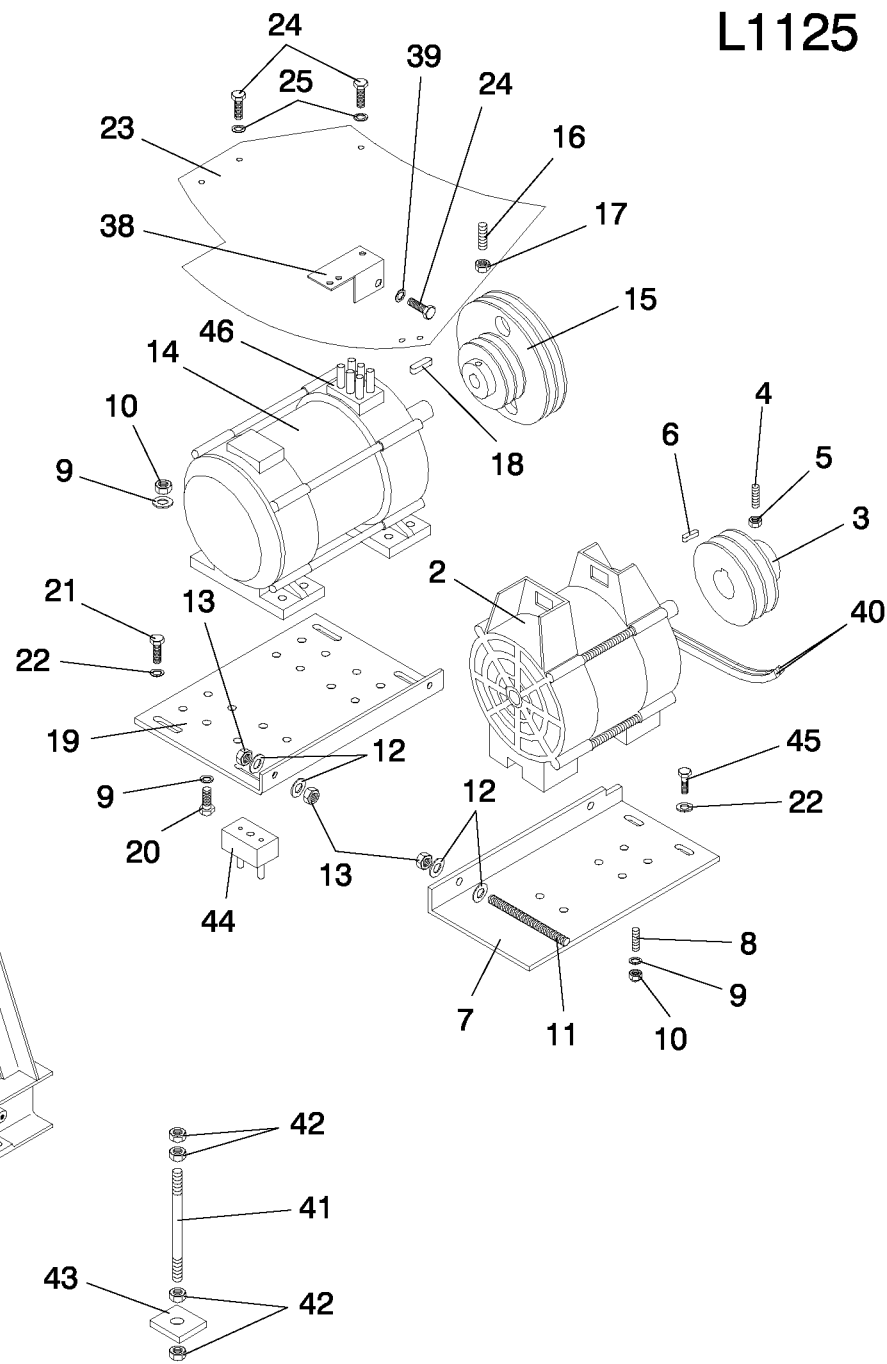
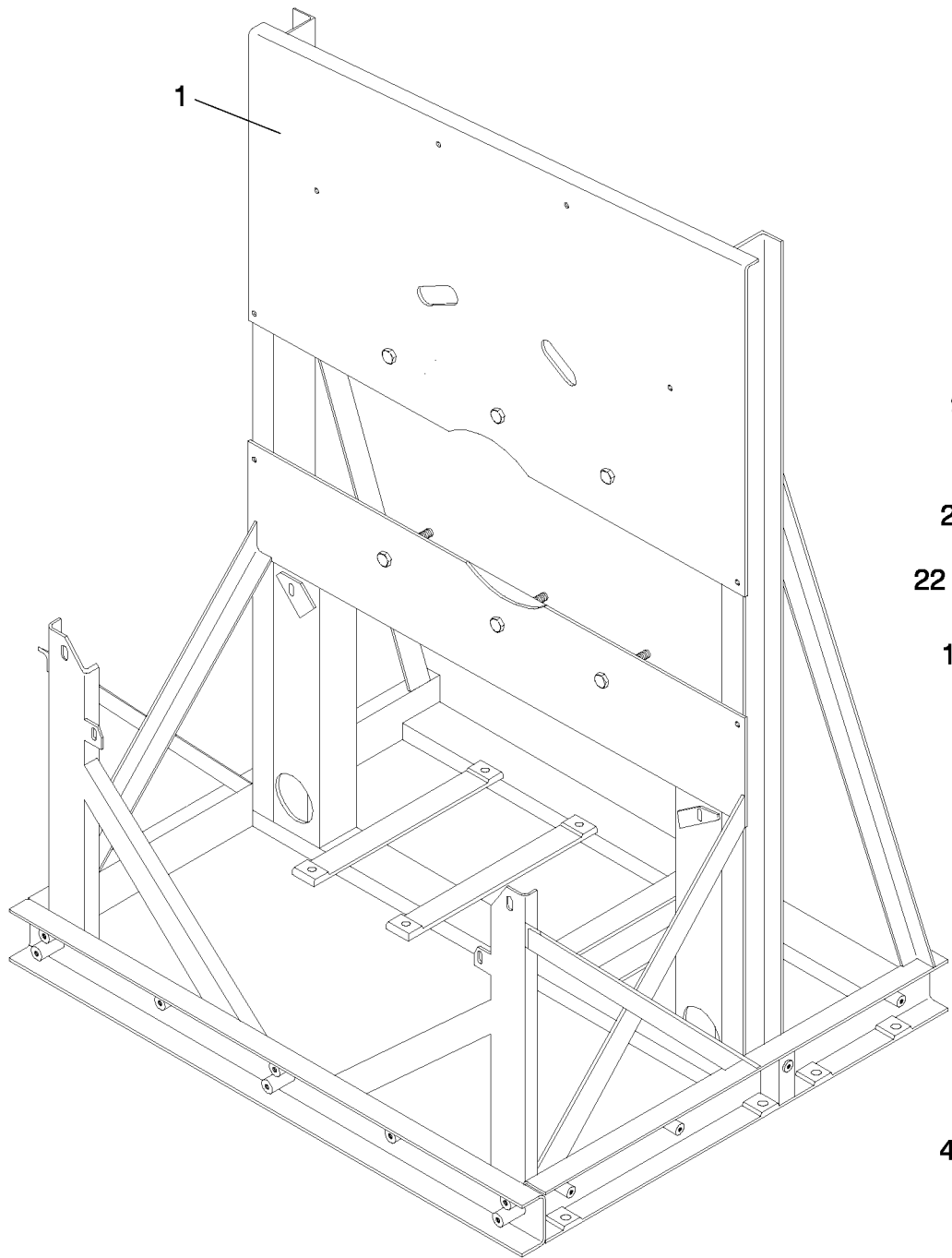
N°	REF	DENOMINATION	DENOMINACIÓN	DENOMINATION
29	149427	BICR WASHER B DIN125-ST 21	ARAN.B DIN125-ST B.TRI.21	RONDELLE B BICR.DIN125-ST 21
30	150268	BICR.HEX NUT DIN934-8 M 20	TUER.EX.DIN934-8 B.TRI.M20	ECROU HEX.BICR.DIN934-8 M 20
31	267872	BEARING END-PIECE	TOPE COJINETES	ARRET ROULEMENTS
32	197673	BEARING 22217 CCK	RODAMIENTO 22217 EK	ROULEMENT 22217 CCK
33	197699	DISASSEMBLY SLEEVE AHX-317	MANGUITO DESMONTAJE AHX-317	MANCHON DEMONTAGE AHX-317
34	273037	BASKET SHAFT WASHER	ARANDELA EJE TAMBOR	RONDELLE PALIER TAMBOUR
35	197707	FIXING NUT KM-16	TUERCA FIJACION KM-16 KSM	ECROU FIXATION KM-16
36	197749	RING V-RING V-130 A	ANILLO V-RING V-130 A NBR510	BAGUE V-RING V-130 A
37	272542	RETAINER COVER PULLEY SIDE	TAPA RETEN LADO POLEA	COUVERCLE RESERVE COTE POULIE
38	146480	BICR.HEX SCREW DIN933-8 M10X20	TOR.EX.DIN933-8.8 B.TRI.M10X20	VIS HEX BICR.DIN933-8 M 10X20
39	149500	BICR.WASHER B DIN125-ST 10,5	ARAN.B DIN125-ST B.TRI.10,5	RONDELLE B DIN125-ST BICR.10,5
40	267849	BASKET PULLEY	POLEA TAMBOR	POULIE TAMBOUR
41	233981	WASHER 100X71X10	ARANDELA 100X17X10 TRIVALEN.	RONDELLE 100X17X10
42	149385	BICR.WASHER B DIN125-ST 17	ARAN.B DIN125-ST B.TRI.17	RONDELLE B DIN125-ST BICR.17
43	147066	HEX SCREW 8G DIN933 M16X50	TOR.EX.DIN933-8.8 B.TRI.M16X50	VIS HEX. 8G DIN933 M16X50
44	199398	BELT SPZ 2840 (FOR 60 HZ)	CORREA TRAPECIAL SPZ-2840 (PARA 60 HZ)	COURROIE SPZ 2840 (POUR 60 HZ)
	163659	BELT SPZ-2900 (FOR 50 HZ)	CORREA TRAPECIAL SPZ-2900 (PARA 50 HZ)	COURROIE SPZ-2900 (POUR 50 HZ)
45	122531	HOSE ELBOW 5/8" RE. 46610	CODO MANGUERA 90° de 20mm	COUDE TUYAU 5/8" RE. 46610
46	163667	PIN DIN6885-AB 70X20X12	CHAVETA DIN 6885-AB 70X20X12	CLAVETTE DIN6885-AB 70X20X12

\* 269100 COMPLETE BASKET (WITH SHAFT)

TAMBOR COMPLETO (CON EJE)

TAMBOUR COMPLET (AVEC PALIER)



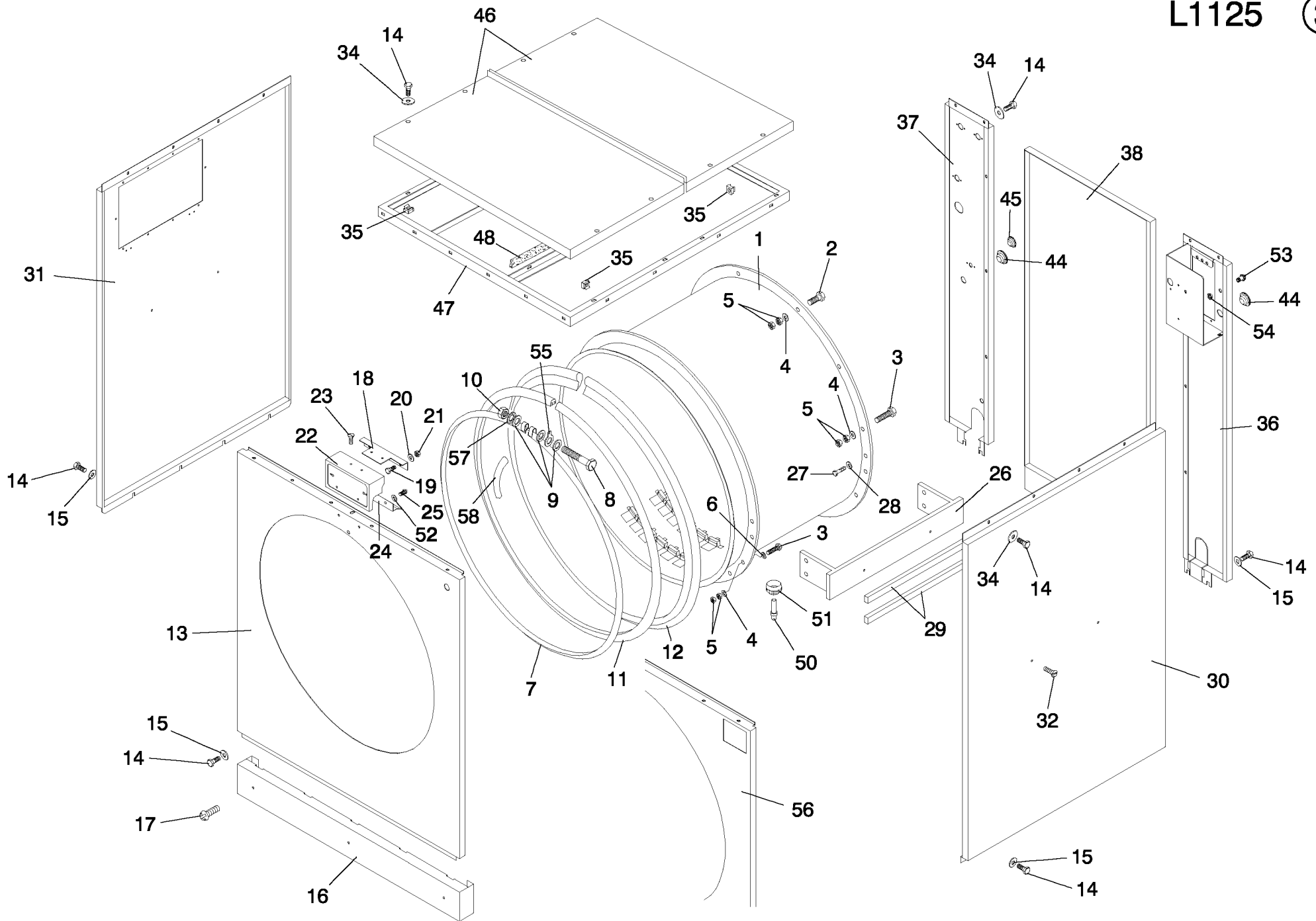




N°	REF	DENOMINATION	DENOMINACIÓN	DENOMINATION
1	273292	CHASSIS	CHASIS	CHASSIS
2	198705	MOTOR MT132220 3PH 208/380-60 (FOR 208-240/380V 60HZ) (FOR 200V 50HZ)	MOTOR MT132220 III 208/380-60* (PARA 208-240/380V 60HZ) (PARA 200 V 50HZ)	MOTEUR MT132220 3PH 208/380-60 (POUR 208-240/380V 60HZ) (POUR 200 V 50HZ)
	198697	MOTOR MT132220 3PH 240/415-50 (FOR 440-480V 60HZ) (FOR 240/415-440 V 50HZ)	MOTOR MT132220 III 240/415-50* (PARA 440-480V 60HZ) (PARA 240/415-440 V 50HZ)	MOTEUR MT132220 3PH 240/415-50 (POUR 440-480V 60HZ) (POUR 240/415-440 V 50HZ)
	198689	MOTOR MT132220 3PH 220/380-50 (FOR 220/380 V 50HZ)	MOTOR MT132220 III 220/380-50* (PARA 220/380 V 50HZ)	MOTEUR MT132220 3PH 220/380-50 (POUR 220/380 V 50HZ)
	172072	BEARING 6206-2Z QE6 (COUPLING SIDE)	RODAMIENTO 6206-2Z (LADO ACOPLA)	ROULEMENT 6206-2Z QE6 (COTE COUPLAGE)
	525790	BEARING 6305-2Z/C3 (REAR SIDE)	RODAMIENTO 6305-2Z/C3 (LADO POSTERIOR)	ROULEMENT 6305-2Z/C3 (CÔTE POSTERIEUR)
3	272898	WASH MOTOR PULLEY	POLEA MOTOR LAVADO	POULIE MOTEUR LAVAGE
4	144204	ALLEN BUMP DIN 913 M-8X25	ESP.ALL.DIN913-10.9 M 8X25	GOUJON ALLEN DIN 913 M-8X25
5	150201	BICR.HEX NUT DIN 934-8 M-8	TUER.EX.DIN934-8 B.TRI.M 8	ECROU HEX.DIN 934-8 BICR.M-8
6	127878	PIN DIN 6885-A 55X 8X7	CHAVETA DIN 6885-A 55X 8X7	CLAVETTE DIN 6885-A 55X 8X7
7	275859	WASH MOTOR PLATE	PLACA MOTOR LAVADO	PLAQUE MOTEUR LAVAGE
8	198440	BUMP 8.8 M-8 REF.20.189	ESPARRAGO 8.8 M-8x30mm	GOUJON 8.8 M-8 REF.20.189
9	149518	BICR.WASHER B DIN125-ST 8,4	ARAN.B DIN125-ST B.TRI. 8,4	RONDELLE.B DIN125-ST BICR.8,4
10	164285	SELFBLOCKING NUT DIN985 M-8	TUER.AUTOBL.DIN985-8 B.TRI.M8	ECROU AUTOBLOCANT DIN985 M-8
11	275883	TIGHTENER BUMP	ESPARRAGO TENSOR	GOUJON TENDEUR
12	149419	BICR.WASHER B DIN125-ST 13	ARAN.B DIN125-ST B.TRI.13	RONDELLE B DIN125-ST BICR.13
13	150235	BICR.HEX NUT DIN 934-8 M-12	TUER.EX.DIN934-8 B.TRI.M12	ECROU HEX DIN 934-8 BICR.M-12
14	198747	MOTOR MT 90180 3PH 208/380-60 (FOR 208-240/380V 60HZ) (FOR 200V 50HZ)	MOTOR MT 90180 III 208/380-60* (PARA 208-240/380V 60HZ) (PARA 200 V 50HZ)	MOTEUR MT 90180 3PH 208/380-60 (POUR 208-240/380V 60HZ) (POUR 200 V 50HZ)
	198739	MOTOR MT 90180 3PH 240/415-50 (FOR 440-480V 60HZ) (FOR 240/415-440 V 50HZ)	MOTOR MT 90180 III 240/415-50* (PARA 440-480V 60HZ) (PARA 240/415-440 V 50HZ)	MOTEUR MT 90180 3PH 240/415-50 (POUR 440-480V 60HZ) (POUR 240/415-440 V 50HZ)
	198721	MOTOR MT 90180 3PH 220/380-50 (FOR 220/380 V 50HZ)	MOTOR MT 90180 III 220/380-50* (PARA 220/380 V 50HZ)	MOTEUR MT 90180 3PH 220/380-50 (POUR 220/380 V 50HZ)
	304964	BEARING 6308-2Z QE6 (COUPLING SIDE)	RODAMIENTO 6308-2Z (LADO ACOPLA)	ROULEMENT 6308-2Z QE6 (COTE COUPLAGE)

Nº	REF	DENOMINATION	DENOMINACIÓN	DENOMINATION
	525790	BEARING 6305-2Z/C3 (REAR SIDE)	RODAMIENTO 6305-2Z/C3 (LADO POSTERIOR)	ROULEMENT 6305-2Z/C3 (CÔTE POSTERIEUR)
	317404	FAN 90-SL COD.40051	VENTILADOR+ARO 90-SL COD.40051	VENTILATEUR 90-SL COD.40051
15	272906	EXTRACT MOTOR PULLEY 60HZ (FOR 60 HZ)	POLEA MOTOR CENTRIFUGADO 60HZ. (PARA 60 HZ)	POULIE MOTEUR ESSORAGE 60HZ (POUR 60 HZ)
	272880	EXTRACT MOTOR PULLEY 50HZ (FOR 50 HZ)	POLEA MOTOR CENTRIFUGADO 50HZ. (PARA 50 HZ)	POULIE MOTEUR ESSORAGE 50HZ (POUR 50 HZ)
16	144246	BUMP ALLEN DIN913 M10X25	ESP.ALL.DIN913-10.9 M10X25	GOUJON ALLEN DIN913 M10X25
17	150193	BICR HEX NUT DIN 934-8 M10	TUER.EX.DIN934-8 B.TRI.M10	ECROU HEX DIN 934-8 BICR.M10
18	304972	PIN DIN 6885-AB 55X10X8	CHAVETA DIN 6885-A 55X10X8	CLAVETTE DIN 6885-AB 55X10X8
19	275842	EXTRACT MOTOR PLATE	PLACA MOTOR CENTRIFUGADO	PLAQUE MOTEUR ESSORAGE
20	192831	BICR.HEX SCREW DIN 933-8 M8X30	TOR.EX.DIN933-8.8 B.TRI.M 8X30	VIS HEX DIN 933-8,8 BIC.M8X30
21	175679	HEX SCREW 8G DIN 933 M-10X 45 (FOR 60 HZ)	TOR.EX.DIN933-8.8 B.TRI.M10X45 (PARA 60 HZ)	VIS HEX 8G DIN 933 M-10X 45 (POUR 60 HZ)
	147009	HEX SCREW 8G DIN 933 M-10X25 (FOR 50 HZ)	TOR.EX.DIN933-8.8 B.TRI.M10X25 (PARA 50 HZ)	VIS HEX. DIN 933 M-10X25 8G (POUR 50 HZ)
22	217133	WASHER 27X10.3X3	ARANDELA 27X10.3X3 INOX	RONDELLE 27X10.3X3
23	272567	MOTOR PROTECTION COVER	TAPA PROTECCION MOTORES	COUVERCLE PROTECTION MOTEURS
24	146274	BICR.HEX SCREW DIN933-8 M-5X10	TOR.EX.DIN933-8.8 B.TRI.M 5X10	VIS HEX.BICR.DIN933-8.8 M-5X10
25	160838	WASHER 14X6X1,5	ARANDELA 14X6X1.5 INOX	RONDELLE 14X6X1,5
38	271106	MOTOR TERMINAL COVER	TAPA BORNES MOTOR	COUVERCLE BORNES MOTEUR
39	149534	BICR.WASHER B DIN125-ST 5,3	ARAN.B DIN125-ST BICR. 5,3	RONDELLE B BICR.DIN125-ST 5,3
40	199380	BELT SPZ 1320	CORREA TRAPEICIAL SPZ-1320	COURROIE SPZ 1320
41	272856	HOLDING-DOWN BUMP (INCLUDING NUTS AND PIECE REC)	ESPARRAGO ANCLAJE (INCLUYE TUERCAS Y PIEZA RECT)	GOUJON SCELLEMENT (COMPRIS ECROUS ET PIECE RECT)
42	150326	BICR.HEX NUT DIN 934-8 M 24	TUER.EX.DIN934-8 B.TRI.M24	ECROU HEX BICR DIN 934-8 M 24
43	272872	BUMP PIECE	PIEZA ESPARRAGO	PIECE GOUJON
44	275867	MOTOR BASE SUPPLEMENT (FOR 60 HZ)	SUPLEMENTO BASE MOTOR (PARA 60 HZ)	SUPPLEMENT BASE MOTEUR (POUR 60 HZ)
45	147009	HEX SCREW 8G DIN 933 M-10X25	TOR.EX.DIN933-8.8 B.TRI.M10X25	VIS HEX. DIN 933 M-10X25 8G
46	527614	FIAME CONNECTION BOARD 56X36	REGLETA FIAME 56X36, 6 BORNES DE M5	REGLETTE CONEXIÓN FIAME 56X36





Nº	REF	DENOMINATION	DENOMINACIÓN	DENOMINATION
1	269845	OUTER DRUM	ENVOLVENTE	CUVE
2	157354	HEX SCREW 8G DIN 933 M-12X45	TOR.EX.DIN933-8.8 B.TRI.M12X45	VIS HEX 8G DIN 933 M-12X45
3	146688	BI HEX.SCREW DIN933-8. M12X 50	TOR.EX.DIN933-8.8 B.TRI.M12X50	VIS HEX.DIN933-8.8 BICR.M12X50
4	149419	BICR.WASHER B DIN125-ST 13	ARAN.B DIN125-ST B.TRI.13	RONDELLE B DIN125-ST BICR.13
5	150235	BICR.HEX NUT DIN 934-8 M-12	TUER.EX.DIN934-8 B.TRI.M12	ECROU HEX DIN 934-8 BICR.M-12
6	267898	WASHER 28X13X4	ARANDELA 28X13X4 INOX	RONDELLE 28X13X4
7	213959	OUTER DRUM FIXING RING	ARO FIJACION ENVOLVENTE	BAGUE FIXATION CUVE
8	146563	BICR HEX SCREW DIN933 M-10X100	TOR.EX.DIN933-88 B.TRI.M10X100	VIS HEX DIN-933-8.8 BI.M10X100
9	149500	BICR.WASHER B DIN125-ST 10,5	ARAN.B DIN125-ST B.TRI.10,5	RONDELLE B DIN125-ST BICR.10,5
10	150193	BICR HEX NUT DIN 934-8 M10	TUER.EX.DIN934-8 B.TRI.M10	ECROU HEX DIN 934-8 BICR.M10
11	166819	& E PROFILE LENGTH 3725MM	PERFIL E LONGITUD 3725MM	PROFILE E LONGEUR 3725MM
12	166850	@ PROFILE 3785MM	PERFIL Ñ LONGITUD 3785MM ZZ	PROFILE 3785MM
13	270744	FRONT COVER	TAPA FRONTAL INOX S-P-C(SIM)	COUVERCLE FRONTAL
14	144964	INOX HEX SCREW DIN 933 M-8X16	TOR.EX.DIN933INOX A2-70 M 8X16	VIS HEX INOX DIN 933 M-8X16
15	217133	WASHER 27X10.3X3	ARANDELA 27X10.3X3 INOX	RONDELLE 27X10.3X3
16	272716	FRONT TOE PLATE	ZOCALO FRONTAL	SOCLE FRONTAL
17	129932	SCREW DIN 7985 M-6X10	TOR.AL.DIN7985 INOX.PAV.M6X10*	VIS DIN 7985 M-6X10
18	272492	LABEL ASSEMBLY BRACKET	APOYO SOPORTE PLACA	APPUI SUPPORT PLAQUE
19	144881	INOX HEX SCREW DIN933 M 6X16	TOR.EX.DIN933INOX A2-70 M 6X16	VIS HEX INOX DIN933 M 6X16
20	149310	INOX.A2 WASHER DIN125 6,4	ARAN. DIN125 INOX A2 6,4	RONDELLE INOX.A2 DIN125 6,4
21	149971	INOX. HEX. NUT DIN 934 M-6	TUER.EX.DIN934 INOX A2-70 M 6	ECROU HEX. INOX. DIN 934 M-6
22	234062	LABEL BRACKET	SOPORTE PLACA	SUPPORT PLAQUE
23	169060	INOX SCREW DIN 964 M-4X8	TOR.G.SEBO INOX DIN964 M 4X8	VIS T/GOUT.DE SUIF INOX DIN964
24	234021	PLATE BRACKET PIECE	PIEZA SOPORTE PLACA	PIECE SUPPORT PLAQUE
25	146019	BICR CYL SCREW DIN 84-4.8 M3X5	TOR.CIL.DIN84-4.8 B.TRI.M 3X5	VIS CYL BICR.DIN 84-4.8 M 3X 5
26	272419	PANEL SIDE BRACKET	SOPORTE TAPA LATERAL	SUPPORT COUVERCLE LATERAL
27	146316	BICR.HEX SCREW DIN933-8 M-6X20	TOR.EX.DIN933-8.8 B.TRI.M 6X20	VIX HEX BICR.DIN933-8.8 M-6X20
28	149526	BICR.WASHER B DIN125-ST 6,4	ARAN.B DIN125-ST B.TRI. 6,4	RONDELLE B DIN125-ST BICR.6,4

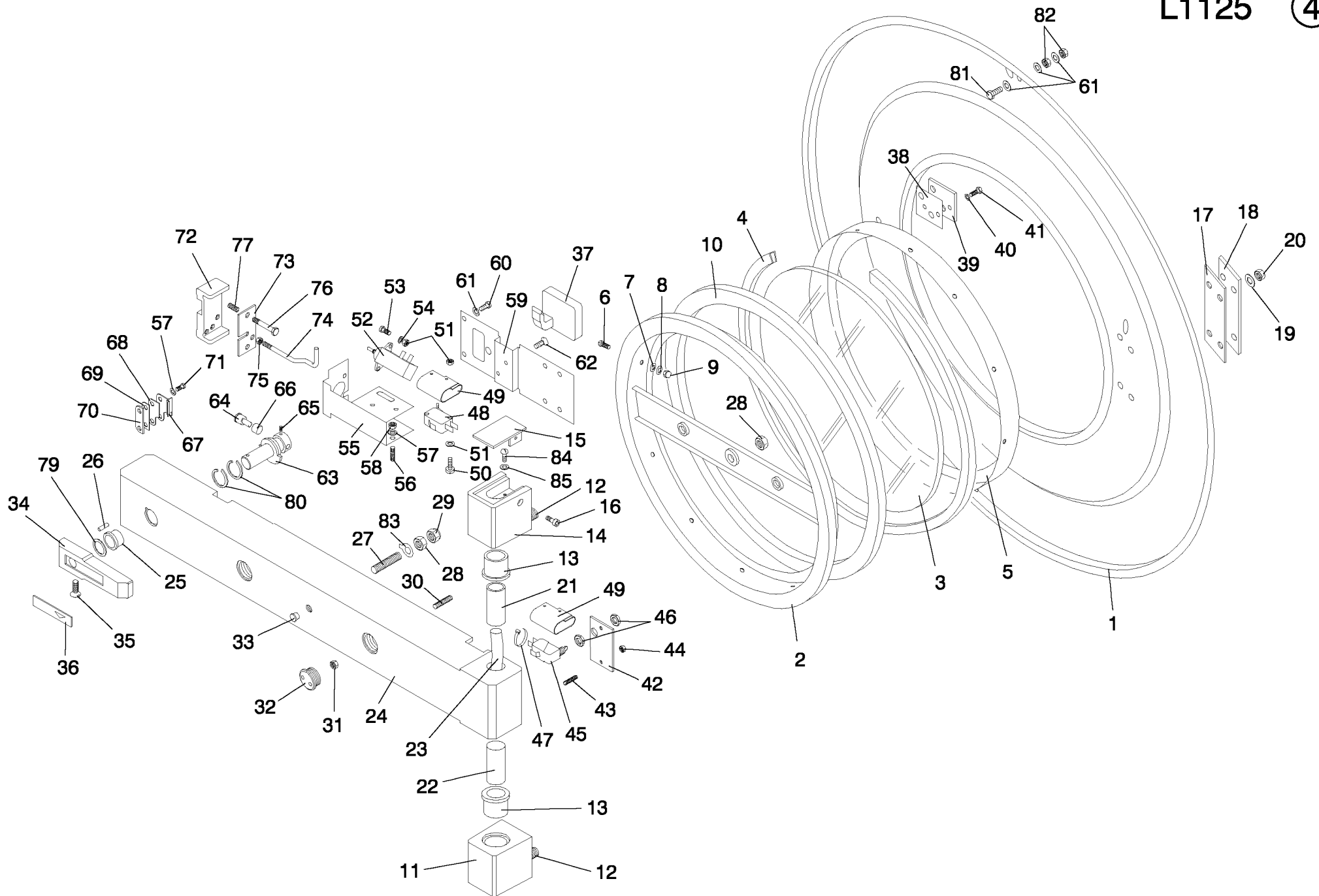
Nº	REF	DENOMINATION	DENOMINACIÓN	DENOMINATION
29	110114	PROFILE EXTRA 5463GREY 6X9X4	BURL.AISLAN.TESA 5463-22 6X9X4	PROFILE EXTRA 5463GRIS 6X9X4
30	270355	RIGHT SIDE PANEL (INOX)	TAPA LATERAL DERECHA (INOX)	COUVERCLE LATERAL DROIT (INOX)
31	270405	LEFT SIDE PANEL (INOX)	TAPA LATERAL IZQUIERDA (INOX)	COUVERCLE LATERAL GAUCHE (INOX)
32	133033	INOX FLAT SCREW DIN85 M8X25 A2	TOR.PLA.DIN85 INOX A2-70 M8X25	VIS PLAT INOX DIN85 M8X25 A270
34	149351	INOX A2 WASHER DIN 125 8,4	ARAN. DIN125 INOX A2 8,4	RONDELLE INOX A2 DIN 125 8,4
35	174532	CAGED NUT M-8 R-310011-6	TUER.ENJ.M8 1,8-3,2 R.310011-6	ECROU ENCAGE M-8 R-310011-6
36	277442	RIGHT SIDE REAR PLATE (GREY PAINTED)	TAPA POSTERIOR LATERAL DERECHA (PINTADA GRIS)	COUVERCLE ARRIERE LAT.DROIT (PEINTE GRIS)
37	278010	LEFT SIDE REAR PLATE (GREY PAINTED)	TAPA POSTERIOR LATERAL IZQUIER (PINTADA GRIS)	COUVERCLE ARRIERE LAT. GAUCHE (PEINTE GRIS)
38	270280	CENTRAL REAR COVER (GREY PAINTED)	TAPA POSTERIOR CENTRAL (PINTADA GRIS)	COUVERCLE ARRIERE CENTRAL (PEINTE GRIS)
44	139683	CONE ECPC-6	CONO HIMEL ECPC-6	CONE ECPC-6
45	181701	LEGRAND CONE 91911	CONO LEGRAND 91911	CONE LEGRAND 91911
46	282921	UPPER PLATE (GREY PAINTED)	TAPA SUPERIOR (PINTADA GRIS)	COUVERCLE SUPERIEUR (PEINTE GRIS)
47	270868	UPPER FRAME	BASTIDOR SUPERIOR	BATI SUPERIEUR
48	220038	UPPER COVER SUPPORT	APOYO TAPAS SUPERIORES	APPUI COUVERCLES SUPERIEURS
50	193862	NTC RESISTANCE	RESISTENCIA NTC	RESISTANCE NTC
51	256149	SENSOR SHEATH LODGING	PASAMUROS SENSOR	LOGEMENT SENSEUR
52	149484	BICR.WASHER B DIN125-ST 3,2	ARAN.B DIN125-ST B.TRI. 3,2	RONDELLE B.DIN125-ST BICR. 3,2
53	140103	STUFFING-BOX PG-11	PRENSAES.EXADIN 031104 PG-11	PRESSE-ETOUPE PG-11
54	140236	COUNTERNUT PG-11	TUERCA PG 281104 PG-11	CONTREECROU PG-11
55	280842	EARTH INTAKE	TOMA DE TIERRA	PRISE TERRE
56	277533	FRONT COVER	TAPA FRONTAL INOX C(COM)	COUVERCLE FRONTAL
57	149690	BICR.EXT TOOT.WASH.DIN6798 M10	ARAN.DEN.EXT.B.TRI.DIN6798M10	RONDEL DEN EX.BICR.DIN6798 M10
58	205419	WIRING PROTECTOR	PROTECTOR CABLES	PROTECTEUR CABLES
&	163808	BLAK PROFILE ETILENO-PROPIL.	PERFIL Ñ ETILENO-PROPIL.NEGRO	PROFILE Ñ ETILENO-PROPIL.NOIR
@	131938	1 METER EPDM E PROFILE	1 METRO PERFIL E EPDM	1 METRE PROFILE E EPDM

N°	REF	DENOMINATION	DENOMINACIÓN	DENOMINATION
		FROM MACHINE Nr:	A PARTIR DE LA MAQUINA No :	A PARTIR DE LA MACHINE NR:
		1.040.113	1.040.113	1.040.113
56	405712	FRONT COVER GIRBAU INC.C(COM) (FOR USA AND CANADA ONLY)	TAPA FRONTAL GIRBAU INC.C(COM) (SOLO PARA USA Y CANADA)	COUVERCLE FRONT.GIRBAU INC C (SEULEMENT POUR USA ET CANADA)

N°	REF	DENOMINATION	DENOMINACIÓN	DENOMINATION
		FROM MACHINE Nr: 1.040.304	A PARTIR DE LA MAQUINA No : 1.040.304	A PARTIR DE LA MACHINE NR: 1.040.304
30	447201	RIGHT SIDE PANEL (PRE-COATED)	TAPA LATERAL DERECHA (PRE-COATED)	COUVERCLE LATERAL DROIT (PRE-COATED)
31	447219	LEFT SIDE PANEL (PRE-COATED)	TAPA LATERAL IZQUIERDA (PRE-COATED)	COUVERCLE LATERAL GAUCHE (PRE-COATED)
36	447243	RIGHT SIDE REAR COVER	TAPA POSTERIOR LATERAL DERECHA	COUVERCLE ARRIERE LAT.DROIT
37	447250	LEFT SIDE REAR COVER	TAPA POSTERIOR LATERAL IZQUIER	COUVERCLE ARRIERE LAT.GAUCHE
38	447268	CENTRAL REAR COVER	TAPA POSTERIOR CENTRAL	COUVERCLE ARRIERE CENTRAL
46	447227	UPPER COVER (PRE-COATED)	TAPA SUPERIOR (PRE-COATED)	COUVERCLE SUPERIEUR (PRE-COATED)







Nº	REF	DENOMINATION	DENOMINACIÓN	DENOMINATION	
1	267906	+	OUTER DRUM FRONT PANEL	FRONTAL ENVOLVENTE	FRONTAL CUVE
2	253336	*	DOOR INNER RING	ARO INTERIOR ESCOTILLA	BAGUE INTERIEUR HUBLLOT
3	134353		GLASS SPYHOLE 529X5	MIRILLA CRISTAL D529+-1,5X5 *	VITRE 529X5
4	131904		NEOPRENE A PROFILE L 1665 MM	PERFIL A EPDM BLANCO 1665MM.	PROFILE NEOPRENE A L. 1665 MM
5	248583		OUTER RING	ARO EXTERIOR	BAGUE EXTERIEUR
6	145649		INOX FLAT SCREW DIN85 M 4X10	TOR.PLA.DIN85 INOX A2-70 M4X10	VIS PLAT INOX DIN85 M-4X10 A2
7	116129		SCREW GASKET	JUNTA TORNILLO	JOINT VIS
8	149328		INOX A2 WASHER DIN 125 4,3	ARAN. DIN125 INOX A2 4,3	RONDELLE INOX A2 DIN 125 4,3
9	150151		INOX BLIND NUT DIN 1587 M-4	TUERCA CIE.INOX LAR.DIN1587M 4	ECROU AVEUGLE INOX DIN 1587 M4
10	178996		DOOR GASKET	JUNTA ESCOTILLA	JOINT HUBLLOT
11	272989		HINGE (INCLUDING BUMPS AND SLEEVE)	CHARNELA (INCLUYE ESPARRAGO Y COJINETE)	CHARNIÈRE (COMPRIS GOUJONS ET FRETTE)
12	275685		HINGE BUMP	ESPARRAGO CHARNELA	GOUJON CHARNIERE
13	155515		SELFOIL SLEEVE B11B18-25-30/32	COJ. SELFOIL B11B18-25-30/32-4	FRETTE SELFOIL B11B18-25-30/32
14	272971		HINGE (INCLUDING BUMPS AND SLEEVE)	CHARNELA (INCLUYE ESPARRAGO Y COJINETE)	CHARNIÈRE (COMPRIS GOUJONS ET FRETTE)
15	272997		HINGE COVER	TAPA CHARNELA	COUVERCLE CHARNIÈRE
16	161646		ALLEN SCREW DIN 912 M-4X8	TOR.ALDDIN912-8.8 B.TRI.M 4X 8	VIS ALLEN DIN 912 M-4X8
17	161448		HINGE BRACKET GASKET	JUNTA SOPORTE CHARNELA	JOINT SUPPORT CHARNIERE
18	272500		HINGE BRACKET	SOPORTE CHARNELA	SUPPORT CHARNIÈRE
19	149351		INOX A2 WASHER DIN 125 8,4	ARAN. DIN125 INOX A2 8,4	RONDELLE INOX A2 DIN 125 8,4
20	149963		INOX HEX NUT DIN 934 M-8	TUER.EX.DIN934 INOX A2-70 M 8	ECROU HEX. INOX DIN 934 M-8
21	272732		UPPER SEMI-SHAFT	SEMI-EJE SUPERIOR	SEMI-AXE SUPERIEUR
22	272518		LOWER SEMI-SHAFT	SEMI-EJE INFERIOR	SEMI-AXE INFERIEUR
23	205419		WIRING PROTECTOR	PROTECTOR CABLES	PROTECTEUR CABLES
24	272948		DOOR BRACKET	SOPORTE ESCOTILLA	SUPPORT HUBLLOT
25	128827		SELFOIL SLEEVE B11B12-17-15/22	COJ. SELFOIL B11B12-17-15/22-3	FRETTE SELFOIL B11B12-17-15/22
26	150771		FLEXIBLE PIN DIN1481 D4X15	PASADOR ELASTICO DIN1481 D4X15	GOUJON ELASTIQUE DIN1481 D4X15
27	254136		DOOR REGULATION BOLT	PERNO REGULACION ESCOTILLA	GOUJON REGLAGE HUBLLOT

Nº	REF	DENOMINATION	DENOMINACIÓN	DENOMINATION
28	149948	INOX. HEX. NUT DIN 934 M-12	TUER.EX.DIN934 INOX A2-70 M12	ECROU HEX. INOX. DIN 934 M-12
29	150656	SELFBLOCKING NUT DIN985 M-12	TUER.AUTOB.DIN985-8 B.TRI.M12	ECROU AUTOBLOCANT DIN985 M-12
30	152116	ALLEN BUMP DIN 913 M-8X45	ESP.ALL.DIN913-10.9 M 8X45	GOUJON ALLEN DIN 913 M-8X45
31	150201	BICR.HEX NUT DIN 934-8 M-8	TUER.EX.DIN934-8 B.TRI.M 8	ECROU HEX.DIN 934-8 BICR.M-8
32	205583	DOOR BRACKET PLUG	TAPON SOPORTE ESCOTILLA	BOUCHON SUPPORT HUBLLOT
33	197509	CONICAL END-PIECE REF.26 D12	TOPE CONICO FIG.26 D12	ARRET CONIQUE FIG.26 D12
34	273144	HANDLE	MANECILLA	MANETTE
35	147694	INOX SCREW DIN7991M 5X25	TOR.AV.ALL.INOX DIN7991M 5X 25	VIS INOX DIN7991M 5X25
36	304113	HANDLE PLATE	PLACA MANECILLA	PLAQUE MANETTE
37	128090	LOCKING PIECE	PIEZA CIERRE	PIECE FERMETURE
38	128835	FIXING BASE GASKET	JUNTA BASE FIJACION	JOINT BASE FIXATION
39	201681	FIXING BASE	BASE FIJACION	BASE FIXATION
40	149310	INOX.A2 WASHER DIN125 6,4	ARAN. DIN125 INOX A2 6,4	RONDELLE INOX.A2 DIN125 6,4
41	144923	INOX HEX.SCREW DIN 933 M-6X20	TOR.EX.DIN933INOX A2-70 M 6X20	VIS HEX INOX DIN 933 M-6X20
42	274340	DOOR BRACKET COVER	TAPA SOPORTE ESCOTILLA	COUVERCLE SUPPORT HUBLLOT
43	144113	ALLEN BUMP DIN 916 M-6X20	ESP.ALL.DIN916-10.9 M 6X20	GOUJON ALLEN DIN 916 M-6X20
44	150227	BICR HEX NUT DIN934-8 M6	TUER.EX.DIN934-8 B.TRI.M 6	ECROU HEX DIN934-8 BICR.M6
45	196782	MICROSWITCH 83161,344 IW3+161L	MINIRRUPTOR 83161.344 IW3+161L	MINIRRUPTEUR 83161.344 IW3+161
46	272757	MICROSWITCH NUT	TUERCA MICRORRUPTOR	ECROU MICRORRUPTEUR
47	140434	CLAMP 2221	BRIDA UNEX 2221 *	BRIDE 2221
48	279760	MICROSWITCH	MINIRRUPTOR	MICRORRUPTEUR
49	281113	MICROSWITCH ISOLATION	AISLANTE MICRORRUPTOR	ISOLANT MICRORRUPTEUR
50	198127	ZINC HEX SCREW DIN933 M 3X16	TOR.EX.DIN933-4.8 B.TRI.M 3X16	VIS HEX ZINC DIN933 M 3X16
51	149906	INOX. HEX. NUT DIN 934 M-3	TUER.EX.DIN934 INOX A2-70 M 3	ECROU HEX. INOX DIN934 M-3
52	196774	THERMO-ACTUATOR 100331 15	TERMOACTUADOR 100331.15 NTA 6*	THERMO-ACTIONNEMENT 100331 15
53	146035	BICR CYL SCREW DIN84 M-3X10	TOR.CIL.DIN84-4.8 B.TRI.M 3X10	VIS CYL BICR DIN84-4.8 M 3X10
54	152132	INOX A2 WASHER DIN 125	ARAN. DIN125 INOX A2 3,2	RONDELLE INOX A2 DIN 125 3,2
55	272617	THERMO-ACTUATOR BRACKET	SOPORTE TERMOACTUADOR	SUPPORT THERMO-ACTIONNEMENT

Nº	REF	DENOMINATION	DENOMINACIÓN	DENOMINATION
56	144048	ALLEN BUMP DIN 913 M 5 X 20	ESP.ALL.DIN913-10.9 M 5X20	GOUJON ALLEN DIN 913 M 5X20
57	149534	BICR.WASHER B DIN125-ST 5,3	ARAN.B DIN125-ST BICR. 5,3	RONDELLE B BICR.DIN125-ST 5,3
58	150177	BICR HEX NUT DIN934-8 M5	TUER.EX.DIN934-8 B.TRI.M 5	ECROU HEX DIN934-8 BIC.M5
59	284190	SAFETY LOCK COVER	TAPA CIERRE SEGURIDAD	COUVERCLE FERMETURE SECURITE
60	145656	INOX FLAT SCREW DIN 85 M 5X10	TOR.PLA.DIN85 INOX A2-70 M5X10	VIS PLAT INOX DIN 85 M 5X10 A2
61	149369	INOX A2 WASHER DIN 125 5,3	ARAN. DIN125 INOX A2 5,3	RONDELLE INOX A2 DIN 125 5,3
62	144865	INOX SCREW DIN963 M 5X10 A2-70	TOR.AV.DIN963 INOX A2-70 M5X10	VIS INOX DIN963 M 5X10 A2-70
63	272609	LOCKING BOLT	BULON DE CIERRE	BOULON DE FERMETURE
64	255109	BOLT PIN	PASADOR BULON	GOUJON BOULON
65	184176	ALLEN BUMP DIN916 M5X6	ESP.ALL.DIN916-10.9 M 5X 6	GOUJON ALLEN DIN916 M5X6
66	128033	SELFOIL SLEEVE B11A 8-12-12	COJ. SELFOIL B11A 8-12-12	FRETTE SELFOIL B11A 8-12-12
67	184192	ANTIBLOCKING SPRING	MUELLE ANTIBLOQUEO	RESSORT ANTIBLOCAGE
68	183947	AUXILIARY SPRING	MUELLE AUXILIAR	RESSORT AUXILIAIRE
69	256206	SPRING SUPPLEMENT	SUPLEMENTO MUELLE	SUPPLEMENT RESSORT
70	256172	SPRING SEPARATOR	SEPARADOR MUELLE	SEPARATEUR RESSORT
71	144279	ALLEN SCREW DIN 912 M-5X15	TOR.ALDDIN912-8.8 B.TRI.M 5X15	VIS ALLEN DIN 912 M-5X15
72	272575	SLIDING BLOCKER	BLOQUEADOR DESLIZANTE	BLOQUEUR COULISSANT
73	272583	SLIDING BLOCKING PIECE	PIEZA BLOQUEADOR DESLIZANTE	PIECE BLOCKAGE GLISSANT
74	272591	MICROSWITCH DRIVE	ACCIONADOR MICRORRUPTOR	ACIONNEMENT MICRORRUPTEUR
75	149922	INOX HEX. NUT DIN 934 M-4	TUER.EX.DIN934 INOX A2-70 M 4	ECROU HEX. INOX DIN 934 M-4
76	278622	SLIDING BLOCKING SCREW	TORNILLO BLOQUEADOR DESLIZANTE	VIS BLOQUEUR COULISSANT
77	198069	SPRING	MUELLE COMPENSADOR	RESSORT
79	184200	ADJ. WASHER PS12X18X0,2	ARAN.AJUSTE PS12X18X0,2 DIN988	RONDELLE REGLAGE PS12X18X0,2
80	183566	RING SEEGER SW-18	ANILLO ELASTICO SEEGER SW-18	BAGUE SEEGER SW-18
81	144782	INOX HEX SCREW DIN933 M 5X15	TOR.EX.DIN933INOX A2-70 M 5X15	VIS HEX INOX DIN933 M 5X15
82	149914	INOX HEX. NUT DIN 934 M-5	TUER.EX.DIN934 INOX A2-70 M 5	ECROU HEX. INOX DIN 934 M-5
83	280859	EARTH INTAKE	TOMA DE TIERRA	PRISE DE TERRE
84	146076	BICR ROUND SCREW DIN84 M 4X 8	TOR.CIL.DIN84-4.8 B.TRI.M 4X 8	VIS ROND BICR DIN84-4.8 M 4X 8

N°	REF	DENOMINATION	DENOMINACIÓN	DENOMINATION
85	149732	BICR.EXT TOOT.WASH DIN6798 M4	ARAN.DEN.EXT.B.TRI.DIN6798M 4	RONDEL.DEN.EX.BICR.DIN6798 M4

+ 281089 FRONT(WITH DOOR AND LOCK)  
\* 253328 COMPLETE DOOR

FRONTAL(CON ESCOTILL.Y CIERRE)  
ESCOTILLA COMPLETA

FRONTAL(AVEC HUBLOT ET FERMET)  
HUBLOT COMPLET

N°	REF	DENOMINATION	DENOMINACIÓN	DENOMINATION
		FROM MACHINE Nr:	A PARTIR DE LA MAQUINA No :	A PARTIR DE LA MACHINE NR:
		1.040.043	1.040.043	1.040.043
72	289389	SLIDING BLOCKER	BLOQUEADOR DESLIZANTE	BLOQUEUR COULISSANT

N°	REF	DENOMINATION	DENOMINACIÓN	DENOMINATION
		FROM MACHINE Nr:	A PARTIR DE LA MAQUINA No :	A PARTIR DE LA MACHINE NR:
		1.040.171	1.040.171	1.040.171
34	408823	HANDLE	MANECILLA	MANETTE
35	150862	FLEXIBLE PIN DIN1481 D5X30	PASADOR ELASTICO DIN1481 D5X30	GOUJON ELASTIQUE DIN1481 D5X30
63	408831	LOCKING BOLT	BULON DE CIERRE	BOULON DE FERMETURE







Nº	REF	DENOMINATION	DENOMINACIÓN	DENOMINATION
1	280784	CONTROL PANEL	PANEL DE MANDOS	PANNEAU COMMANDES
2	144881	INOX HEX SCREW DIN933 M 6X16	TOR.EX.DIN933INOX A2-70 M 6X16	VIS HEX INOX DIN933 M 6X16
3	149310	INOX.A2 WASHER DIN125 6,4	ARAN. DIN125 INOX A2 6,4	RONDELLE INOX.A2 DIN125 6,4
4	165019	CAGED NUT M-6 0,5-1,5 R.310007-9	TUER.ENJ.M6 0,5-1,5 R.310007-9	*ECROU PRESIONER M-6 0,5-1,5 R.310007-9
5	300798	PROCESSOR BOARD SM/CM	PLACA MICROPROCESADOR SM/CM	PLAQUE MICROPROCESSEUR SM/CM
	303354	EPROM FOR WASHER SM3/CM3 VER10	EPROM LAVADORAS SM3/CM3 VER10	EPROM P.MACH.A LAVER SM3/CM3V10
	303933	EEPROM ST24C04	EPROM ST24C04	EEPROM ST24C04
	187203	INPUT OPTOISOLATOR 4N35	OPTOACOPLADOR ENTRADA 4N35	OPTOISOLATOR ENTREE 4N35
	187211	OUTPUT OPTOISOLATOR	OPTOACOPLADOR SALIDA	OPTOISOLATOR SORTIE
	188003	DISPLAY TDSR 5160	DISPLAY TDSR 5160	DISPLAY TDSR 5160
6	278317	PROCESSOR ISOLATOR	AISLANTE MICROPROCESADOR	ISOLANT MICROPROCESSEUR
7	277392	PLATE-CONTROL SEPARATOR	SEPARADOR PANEL-PLACA	SEPARATEUR TABLEAU-PLAQUE
8	277400	NUT-PLATE SEPARATOR	SEPARADOR PLACA-TUERCA	SEPARATEUR PLAQUE-ECROU
9	150185	BICR.HEX.NUT DIN934-8 M4	TUER.EX.DIN934-8 B.TRI.M 4	ECROU HEX.DIN934-8 BICR.M4
10	199893	CLAMP STL-450-3-01	ABRAZADERA STL-450-3-01	BRIDE STL-450-3-01
11	197301	PROTECTOR 1-640029-6	PROTECTOR 1-640029-6	PROTECTEUR 1-640029-6
12	197426	POLARIZATION AMP 640180-1	POSICIONADOR AMP 640180-1	POLARIZATION AMP 640180-1
13	199810	PROTECTOR 640029-8	PROTECTOR 640029-8	PROTECTEUR 640029-8
14	279828	IDENTIFICATION PLUG	CONECTORA IDENTIFICACION	CONNECTEUR IDENTIFICATION
15	258277	PROCESSOR BOARD LID	TAPA PLACA MICROPROCESADOR	COUVERCLE PLAQ.MICROPROCESSEUR
16	145649	INOX FLAT SCREW DIN85 M 4X10	TOR.PLA.DIN85 INOX A2-70 M4X10	VIS PLAT INOX DIN85 M-4X10 A2
17	219758	INOX WASHER 12X4X1,5	ARANDELA 12X4X1,5 INOX	RONDELLE 12X4X1,5 INOX
18	132043	SELFBLOCKING NUT DIN985 M 4	TUER.AUTOBL.DIN985-8 B.TRI.M 4	ECROU AUTOBLOCANT DIN985 M 4
19	340885	CONT.WASHER KEYBOARD CM (FOR USA AND CANADA ONLY)	TECLADO LAVADORA CM CONT. (SOLO PARA USA Y CANADA)	CLAVIER LAVEUSE CM CONT. (SEULEMENT POUR USA ET CANADA)
	300681	WASHER KEYBOARD CM (EXCEPT FOR USA AND CANADA)	TECLADO LAVADORA CM (EXCEPTO PARA USA Y CANADA)	CLAVIER LAVEUSE CM (SAUF POUR USA ET CANADA)
20	332072	CONTIN.OPERATING INSTR.PLATE (FOR USA AND CANADA ONLY)	PLACA INSTR.FUNCION.CONTINENT. (SOLO PARA USA Y CANADA)	PLAQUE INSTR.FONCTIONN.CONTIN. (SEULEMENT POUR USA ET CANADA)

N°	REF	DENOMINATION	DENOMINACIÓN	DENOMINATION
	301317	ENGLISH OPERATION INSTR.PLATE (EXCEPT FOR USA AND CANADA)	PLACA INSTR.FUNCION. IN. (EXCEPTO PARA USA Y CANADA)	PLAQUE INST.FONCTION ANGLAIS (SAUF POUR USA ET CANADA)
	301325	SPANISH OPERATION INSTR.PLATE	PLACA INSTR.FUNCION. ES.	PLAQUE INST.FONCTION ESPAGNOL
	301333	FRENCH OPERATION INSTR.PLATE	PLACA INSTR.FUNCION. FR.	PLAQUE INST.FONCTION FRANCAIS
21	304030	ENGLISH CONT.SAFETY INS.PLATE (FOR USA AND CANADA ONLY)	PLACA INSTR.SEGURIDAD CONT. (SOLO PARA USA Y CANADA)	PLAQUE INSTR.SECUR.CONTINENTAL (SEULEMENT POUR USA ET CANADA)
	301069	ENGLISH SAFETY INSTR.PLATE (EXCEPT FOR USA AND CANADA)	PLACA INSTR.SEGURIDAD IN. (EXCEPTO PARA USA Y CANADA)	PLAQUE INSTR.SECURITE ANGLAIS (SAUF POUR USA ET CANADA)
	301077	SPANISH SAFETY INSTR.PLATE	PLACA INSTR.SEGURIDAD ES.	PLAQUE INSTR.SECURITE ESPAGNOL
	301085	FRENCH SAFETY INSTR.PLATE	PLACA INSTR.SEGURIDAD FR.	PLAQUE INSTR.SECURITE FRANCAIS
23	278333	COIN METER PLATE	PLACA MONEDERO	PLAQUE MONNAYEUR
25	147165	COIN-METER B-400 1/4DOL.WITH M	MONEDERO B-400 1/4DOL.CON MIC*	MONNAYEUR B-400 1/4DOL.AVEC MI
	130831	COIN-METER B-400 TOKEN GIRBAU  OTHER COIN-METERS B-400 (TO SPECIFY COIN)	MONEDERO ISMEA B-400 FICHA G.*  OTROS MONEDEROS B-400 (ESPECIFICAR MONEDA)	MONNAYEUR B-400 JETON GIRBAU  AUTRES MONNAYEURS B-400 (SPECIFIER MONNAI)
	182295	COIN-METER ELECTROMAGNET B-400	ELECT.MONE.ISMEA B400 220V ZZ*	ELECTROAIMANT MONNAYEUR B-400
	177022	COIN-METER MICROSWITCH B400	MICRORRUP.MONEDERO ISMEA B400*	MICRORRUPTEUR MONNAYEUR B400
26	147710	TOKEN GIRBAU 24R15	FICHA 24R15 CON ANAGRAM.GIRBAU	JETON GIRBAU 24R15
27	149476	BICR.WASHER B DIN125-ST 4,3	ARAN.B DIN125-ST B.TRI. 4,3	RONDELLE B DIN125-ST BICR.4,3
28	278234	COIN BOX PLATE	CARATULA CAJON MONEDAS	PLAQUE BOITE MONNAIES
29	280768	BOX BRACKET FIXING	SUJECION APOYO CAJON	FIXATION APPUI BOITE
30	161646	ALLEN SCREW DIN 912 M-4X8	TOR.ALLDIN912-8.8 B.TRI.M 4X 8	VIS ALLEN DIN 912 M-4X8
31	278127	BOX SUPPORT	APOYO CAJON	APPUI BOITE
36	149484	BICR.WASHER B DIN125-ST 3,2	ARAN.B DIN125-ST B.TRI. 3,2	RONDELLE B.DIN125-ST BICR. 3,2
37	149906	INOX. HEX. NUT DIN 934 M-3	TUER.EX.DIN934 INOX A2-70 M 3	ECROU HEX. INOX DIN934 M-3
38	169169	COIN BOX UG400A GI LONG COIN BOX	CAJA MONEDAS UG400A GI * CAJA MONEDAS LARGA	BOITE MONNAIE UG400A GI BOITE MONNAIS LONGE
39	279745	PUSH-BUTTON PLATE	PLACA PULSADOR	PLAQUE PULSATEUR
40	138339	PUSH-BUTTON C6061AL	PULSADOR C6061AL *	BOUTON-POUSSOIR C6061AL
41	160101	THERMOSTAT INTAKE STOPPER	TAPON TOMA TERMOSTATO	BOUCHON PRISE THERMOSTAT

N°	REF	DENOMINATION	DENOMINACIÓN	DENOMINATION
42	144964	INOX HEX SCREW DIN 933 M-8X16	TOR.EX.DIN933INOX A2-70 M 8X16	VIS HEX INOX DIN 933 M-8X16
43	149351	INOX A2 WASHER DIN 125 8,4	ARAN. DIN125 INOX A2 8,4	RONDELLE INOX A2 DIN 125 8,4
44	149963	INOX HEX NUT DIN 934 M-8	TUER.EX.DIN934 INOX A2-70 M 8	ECROU HEX. INOX DIN 934 M-8
45	279901	SEPARATOR WASHER	ARANDELA 13X6.25X 2 NYLON	RONDELLE SEPARATEUR
46	174532	CAGED NUT M-8 R-310011-6	TUER.ENJ.M8 1,8-3,2 R.310011-6	ECROU ENCAGE M-8 R-310011-6

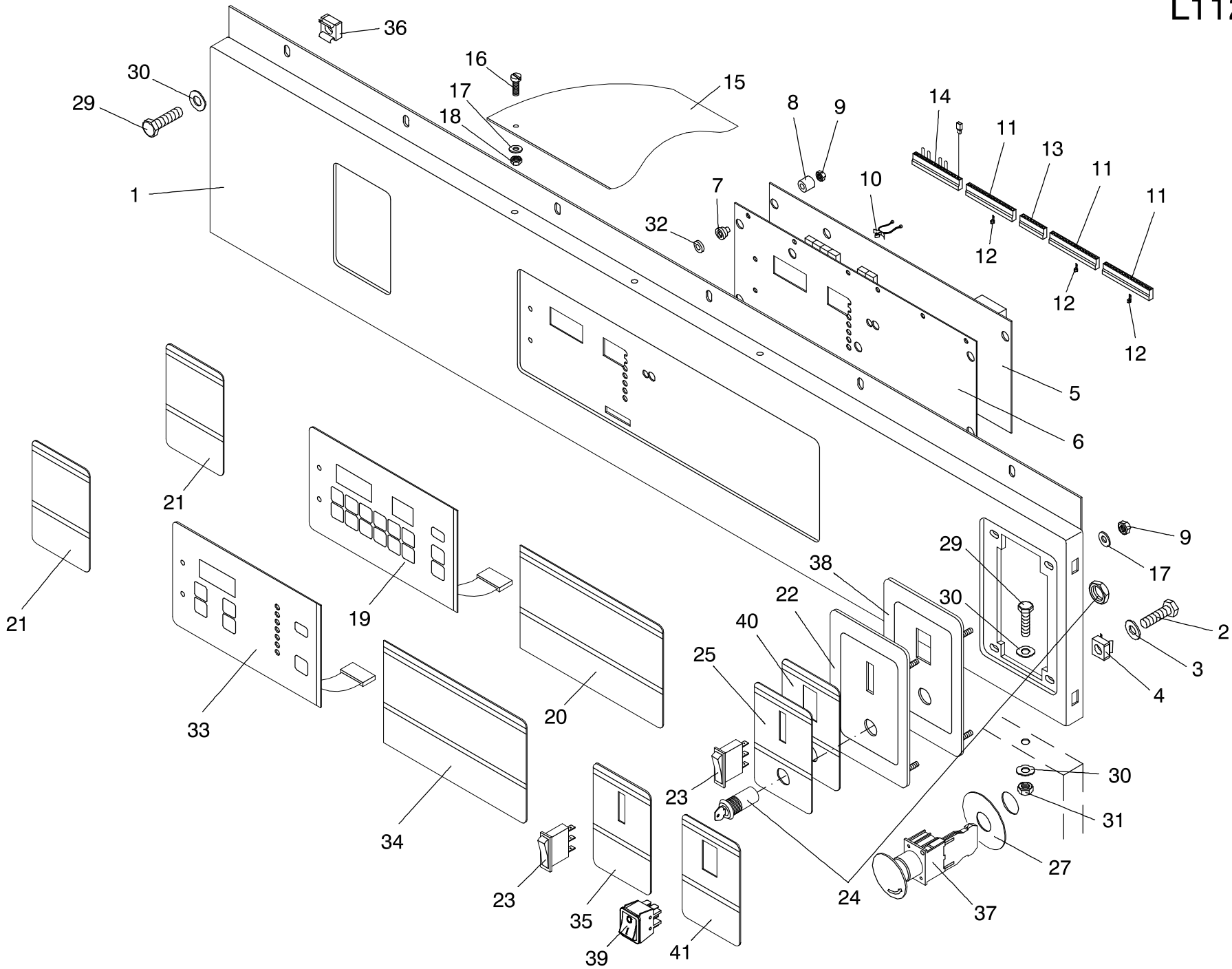
N°	REF	DENOMINATION	DENOMINACIÓN	DENOMINATION
		FROM MACHINE Nr:	A PARTIR DE LA MAQUINA No :	A PARTIR DE LA MACHINE NR:
		1.040.113	1.040.113	1.040.113
27	149476	CANCELLED	ANULADO	ANNULE
28	294405	PLATE (FOR USA AND CANADA ONLY)	CARATULA (SOLO PARA USA Y CANADA)	PLAQUE (SEULEMENT POUR USA ET CANADA)
	176792	INOX SELF-BLOCK.NUT DIN985 M 4	TUER.AUTOBL.DIN985 INOX M 4*	ECROU AUTOBLOC.INOX DIN985 M 4
29	280768	CANCELLED	ANULADO	ANNULE
30	161646	CANCELLED	ANULADO	ANNULE
31	294041	BOX SUPPORT (FOR USA AND CANADA ONLY)	APOYO CAJON (SOLO PARA USA Y CANADA)	APPUI BOITE (SEULEMENT POUR USA ET CANADA)
47	176792	INOX SELF-BLOCK.NUT DIN985 M 4	TUER.AUTOBL.DIN985 INOX M 4*	ECROU AUTOBLOC.INOX DIN985 M 4

N°	REF	DENOMINATION	DENOMINACIÓN	DENOMINATION
		FROM MACHINE Nr:	A PARTIR DE LA MAQUINA No :	A PARTIR DE LA MACHINE NR:
		1.040.258	1.040.258	1.040.258
23	281121	COIN-METER PLATE	PLACA MONEDERO	PLAQUE MONNAYEUR
25	338962	COIN-METER D10.WK 0,25 USD	MONEDERO D10.WK 0,25 USD *	MONNAYEUR D10.WK 0,25 USD
	338970	COIN-METER D10.WK TOKEN GIRBAU	MONEDERO D10.WK FICHA GIR.*	MONNAYEUR D10.WK JETON GIRBAU
	182295	CANCELLED	ANULADO	ANNULE
	177022	CANCELLED	ANULADO	ANNULE
	447821	COIN-METER MICROSWITCH MUNZ.D10WK	MICRORRUP.MONEDERO MUNZ.D10WK	MICRORRUP.MONNAYEUR MUNZ.D10WK

N°	REF	DENOMINATION	DENOMINACIÓN	DENOMINATION
		FROM MACHINE Nr:	A PARTIR DE LA MAQUINA No :	A PARTIR DE LA MACHINE NR:
		1.040.285	1.040.285	1.040.285
19	350496	WASHER KEYBOARD CM CONT. (FOR USA AND CANADA ONLY)	TECLADO LAVADORA CM CONT. (SOLO PARA USA Y CANADA)	CLAVIER LAVEUSE CM CONT. (SEULEMENT POUR USA ET CANADA)
	515486	BILINGUAL CONT. WASHER KEYBOARD CM (FOR USA AND CANADA ONLY)	TECLADO LAVAD.CM CONT BILINGÜE (SOLO PARA USA Y CANADA)	CLAVIER LAVEUSE CM CONT.BILINGUE (SEULEMENT POUR USA ET CANADA)
20	350512	CONTINENTAL OPERAT.INSTR.PLATE (FOR USA AND CANADA ONLY)	PLACA INSTR.FUNCION.CONTINENT. (SOLO PARA USA Y CANADA)	PLAQUE INSTR.FONCTION.CONTIN. (SEULEMENT POUR USA ET CANADA)
21	350553	CONTINENTAL SAFETY INSTR.PLATE (FOR USA AND CANADA ONLY)	PLACA INSTR.SEGURIDAD CONT. (SOLO PARA USA Y CANADA)	PLAQUE INSTR.SECURITE CONTIN. (SEULEMENT POUR USA ET CANADA)







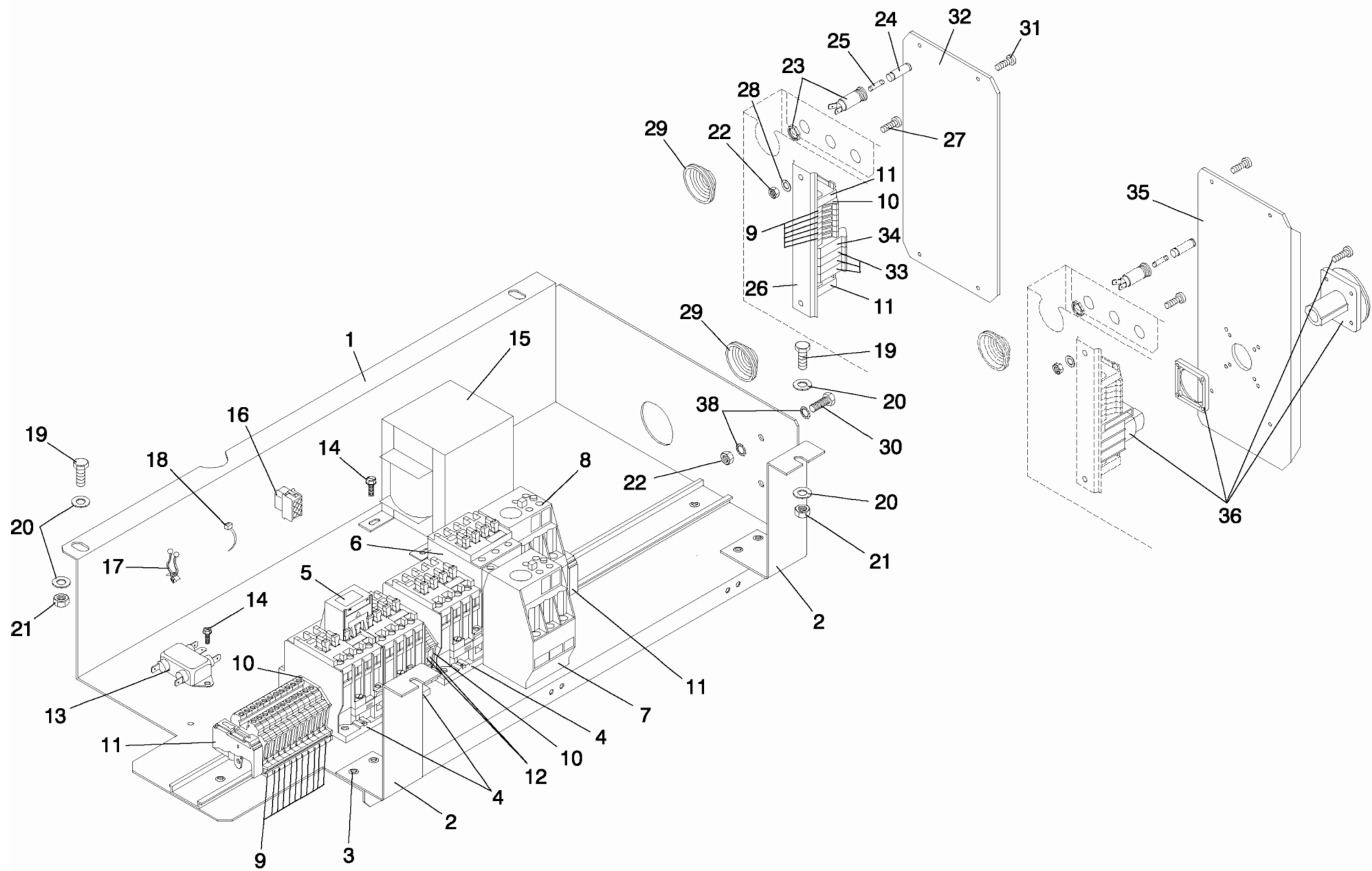
Nº	REF	DENOMINATION	DENOMINACIÓN	DENOMINATION
1	280784	CONTROL PANEL	PANEL DE MANDOS	PANNEAU COMMANDES
2	144881	INOX HEX SCREW DIN933 M 6X16	TOR.EX.DIN933INOX A2-70 M 6X16	VIS HEX INOX DIN933 M 6X16
3	149310	INOX.A2 WASHER DIN125 6,4	ARAN. DIN125 INOX A2 6,4	RONDELLE INOX.A2 DIN125 6,4
4	165019	CAGED NUT M-6 0,5-1,5 R.310007-9	TUER.ENJ.M6 0,5-1,5 R.310007-9	*ECROU PRESIONER M-6 0,5-1,5 R.310007-9
5	300806	PROCESSOR BOARD PM (FOR PM)	PLACA MICROPROCESADOR PM (PARA PM)	PLAQUE MICROPROCESSEUR PM (POUR PM)
	300798	PROCESSOR BOARD SM/CM (FOR SM)	PLACA MICROPROCESADOR SM/CM (PARA SM)	PLAQUE MICROPROCESSEUR SM/CM (POUR SM)
	303347	EPROM FOR WASHER PM3 VER05 (FOR PM)	EPROM LAVADORAS PM3 VER05 (PARA PM)	EPROM POUR MACH.A LAVER PM3 V4 (POUR PM)
	303354	EPROM FOR WASHER SM3/CM3 VER10 (FOR SM)	EPROM LAVADORAS SM3/CM3 VER10 (PARA SM)	EPROM P.MACH.A LAVER SM3/CM3V10 (POUR SM)
	187195	RAM ZERO POWER MK48Z08-10 (FOR PM)	RAM ZERO POWER MK48Z08-10 (PARA PM)	RAM ZERO POWER MK48Z08-10 (POUR PM)
	303933	EEPROM ST24C04 (FOR SM)	EPROM ST24C04 (PARA SM)	EEPROM ST24C04 (POUR SM)
	187203	INPUT OPTOISOLATOR 4N35	OPTOACOPLADOR ENTRADA 4N35	OPTOISOLATOR ENTREE 4N35
	187211	OUTPUT OPTOISOLATOR	OPTOACOPLADOR SALIDA	OPTOISOLATOR SORTIE
	188003	DISPLAY TDSR 5160	DISPLAY TDSR 5160	DISPLAY TDSR 5160
6	278317	PROCESSOR ISOLATOR	AISLANTE MICROPROCESADOR	ISOLANT MICROPROCESSEUR
7	277392	PLATE-CONTROL SEPARATOR	SEPARADOR PANEL-PLACA	SEPARATEUR TABLEAU-PLAQUE
8	277400	NUT-PLATE SEPARATOR	SEPARADOR PLACA-TUERCA	SEPARATEUR PLAQUE-ECROU
9	150185	BICR.HEX.NUT DIN934-8 M4	TUER.EX.DIN934-8 B.TRI.M 4	ECROU HEX.DIN934-8 BICR.M4
10	199893	CLAMP STL-450-3-01	ABRAZADERA STL-450-3-01	BRIDE STL-450-3-01
11	197301	PROTECTOR 1-640029-6	PROTECTOR 1-640029-6	PROTECTEUR 1-640029-6
12	197426	POLARIZATION AMP 640180-1	POSICIONADOR AMP 640180-1	POLARIZATION AMP 640180-1
13	199810	PROTECTOR 640029-8	PROTECTOR 640029-8	PROTECTEUR 640029-8
14	279117	IDENTIFICATION PLUG (FOR PM)	CONECTORA IDENTIFICACION (PARA PM)	CONNECTEUR IDENTIFICATION (POUR PM)
	279109	IDENTIFICATION PLUG (FOR SM)	CONECTORA IDENTIFICACION (PARA SM)	CONNECTEUR IDENTIFICATION (POUR SM)
15	258277	PROCESSOR BOARD LID	TAPA PLACA MICROPROCESADOR	COUVERCLE PLAQ.MICROPROCESSEUR

N°	REF	DENOMINATION	DENOMINACIÓN	DENOMINATION
16	145649	INOX FLAT SCREW DIN85 M 4X10	TOR.PLA.DIN85 INOX A2-70 M4X10	VIS PLAT INOX DIN85 M-4X10 A2
17	219758	INOX WASHER 12X4X1,5	ARANDELA 12X4X1.5 INOX	RONDELLE 12X4X1,5 INOX
18	132043	SELFBLOCKING NUT DIN985 M 4	TUER.AUTOBL.DIN985-8 B.TRI.M 4	ECROU AUTOBLOCANT DIN985 M 4
19	300673	WASHER KEYBOARD PM (FOR PM)	TECLADO LAVADORA PM (PARA PM)	CLAVIER LAVEUSE PM (POUR PM)
20	303982	CONTINENTAL OPERAT.INSTR.PLATE (FOR PM) (FOR USA AND CANADA ONLY)	PLACA INSTR. FUNCION CONTINENT (PARA PM) (SOLO PARA USA Y CANADA)	PLAQUE INSTR.FONCT.CONTINENTAL (POUR PM) (SEULEMENT POUR USA ET CANADA)
	301440	ENGLISH OPERATION INSTR.PLATE (FOR PM) (EXCEPT FOR USA AND CANADA)	PLACA INSTR.FUNCION. IN. (PARA PM) (EXCEPTO PARA USA Y CANADA)	PLAQUE INSTR.FONCTION ANGLAIS (POUR PM) (SAUF POUR USA ET CANADA)
	301457	SPANISH OPERATION INSTR.PLATE (FOR PM)	PLACA INSTR.FUNCION. ES. (PARA PM)	PLAQUE INSTR.FONCTION ESPAGNOL (POUR PM)
	301465	FRENCH OPERATION INSTR.PLATE (FOR PM)	PLACA INSTR.FUNCION. FR. (PARA PM)	PLAQUE INSTR.FONCTION FRANCAIS (POUR PM)
21	304030	ENGLISH CONT.SAFETY INS.PLATE (FOR USA AND CANADA ONLY)	PLACA INSTR.SEGURIDAD CONT. (SOLO PARA USA Y CANADA)	PLAQUE INSTR.SECUR.CONTINENTAL (SEULEMENT POUR USA ET CANADA)
	301069	ENGLISH SAFETY INSTR.PLATE (EXCEPT FOR USA AND CANADA)	PLACA INSTR.SEGURIDAD IN. (EXCEPTO PARA USA Y CANADA)	PLAQUE INSTR.SECURITE ANGLAIS (SAUF POUR USA ET CANADA)
	301077	SPANISH SAFETY INSTR.PLATE	PLACA INSTR.SEGURIDAD ES.	PLAQUE INSTR.SECURITE ESPAGNOL
	301085	FRENCH SAFETY INSTR.PLATE	PLACA INSTR.SEGURIDAD FR.	PLAQUE INSTR.SECURITE FRANCAIS
22	277384	MICRO SUPPLEMENT PANEL	PANEL SUPLEMENTO MICRO.	PANNEAU SUPPLEMENT MICRO
23	300780	SWITCH C1500AL AAG WHITE	INTERRUPTOR C1500AL AAG	INTERRUPTEUR C1500AL AAG BLANC
24	256230	FUNCTION SWITCH (FOR PM)	CONMUTADOR FUNCIONES (PARA PM)	COMMUTATEUR FONCTIONS (POUR PM)
25	304097	GENERAL CONTROL PLATE (FOR PM) (FOR USA AND CANADA ONLY)	PLACA MANDOS GENERALES (PARA PM) (SOLO PARA USA Y CANADA)	PLAQUE COMMANDES GENERALES (POUR PM) (SEULEMENT POUR USA ET CANADA)
	301994	GENERAL CONTROL PLATE (FOR PM) (EXCEPT FOR USA AND CANADA)	PLACA MANDOS GENERALES (PARA PM) (EXCEPTO PARA USA Y CANADA)	PLAQUE COMMANDES GENERALES (POUR PM) (SAUF POUR USA ET CANADA)
26	192310	MUSHROOM PUSH-BUTTON	PUL.HONGO ENCL.3SB10 (341529)	PULSATEUR TYPE COUP DE POING
27	192294	YELLOW RING	ARO AMARILLO	BAGUE JAUNE
28	197343	CONNECTION ELEMENT 3SB13 20-0A	ELEMENTO CONEXION 3SB13 20-0A	ELEMENT CONNEXION 3SB13 20-0A
29	144964	INOX HEX SCREW DIN 933 M-8X16	TOR.EX.DIN933INOX A2-70 M 8X16	VIS HEX INOX DIN 933 M-8X16

N°	REF	DENOMINATION	DENOMINACIÓN	DENOMINATION
30	149351	INOX A2 WASHER DIN 125 8,4	ARAN. DIN125 INOX A2 8,4	RONDELLE INOX A2 DIN 125 8,4
31	149963	INOX HEX NUT DIN 934 M-8	TUER.EX.DIN934 INOX A2-70 M 8	ECROU HEX. INOX DIN 934 M-8
32	279901	SEPARATOR WASHER	ARANDELA 13X6.25X 2 NYLON	RONDELLE SEPARATEUR
33	300699	WASHER KEYBOARD SM (FOR SM)	TECLADO LAVADORA SM (PARA SM)	CLAVIER LAVEUSE SM (POUR SM)
34	303974	CONTINENTAL OPERAT.INSTR.PLATE (FOR SM) (FOR USA AND CANADA ONLY)	PLACA INSTR. FUNCION CONTINENT (PARA SM) (SOLO PARA USA Y CANADA)	PLAQUE INSTR.FONCT.CONTINENTAL (POUR SM) (SEULEMENT POUR USA ET CANADA)
	301192	ENGLISH OPERATION INSTR.PLATE (FOR SM) (EXCEPT FOR USA AND CANADA)	PLACA INSTR.FUNCION. IN. (PARA SM) (EXCEPTO PARA USA Y CANADA)	PLAQUE INSTR.FONCTION ANGLAIS (POUR SM) (SAUF POUR USA ET CANADA)
	301200	SPANISH OPEARATION INSTR.PLATE (FOR SM)	PLACA INSTR.FUNCION. ES. (PARA SM)	PLAQUE INST.FONCTION ESPAGNOL (POUR SM)
	301218	FRENCH OPERATION INSTR.PLATE (FOR SM)	PLACA INSTR.FUNCION. FR. (PARA SM)	PLAQUE INSTR.FONCTION FRANCAIS (POUR SM)
35	304089	START-STOP PLATE (FOR SM) (FOR USA AND CANADA ONLY)	PLACA MARCHA-PARO (PARA SM) (SOLO PARA USA Y CANADA)	PLAQUE MARCHE-ARRET (POUR SM) (SEULEMENT POUR USA ET CANADA)
	301986	START-STOP PLATE (FOR SM) (EXCEPT FOR USA AND CANADA)	PLACA MARCHA PARO (PARA SM) (EXCEPTO PARA USA Y CANADA)	PLAQUE MARCHE-ARRET (POUR SM) (SAUF POUR USA ET CANADA)
36	174532	CAGED NUT M-8 R-310011-6	TUER.ENJ.M8 1,8-3,2 R.310011-6	ECROU ENCAGE M-8 R-310011-6

N°	REF	DENOMINATION	DENOMINACIÓN	DENOMINATION
		FROM MACHINE Nr:	A PARTIR DE LA MAQUINA No :	A PARTIR DE LA MACHINE NR:
		1.040.266	1.040.266	1.040.266
26	192310	CANCELLED	ANULADO	ANNULE
28	197343	CANCELLED	ANULADO	ANNULE
37	341529	EMERGENCY STOP LC	PARO EMERGENCIA LC	ARRET EMERGENCE LC

N°	REF	DENOMINATION	DENOMINACIÓN	DENOMINATION
		FROM MACHINE Nr: 1.040.459	A PARTIR DE LA MAQUINA No : 1.040.459	A PARTIR DE LA MACHINE NR: 1.040.459
38	633065	MICRO SUPPLEMENT PANEL	PANEL SUPLEMENTO MICRO.	PANNEAU SUPPLEMENT MICRO
39	587519	SWITCH C1550AL	INTERRUPTOR C1550AL	INTERRUPTEUR C1550AL
40	633099	GENERAL CONTROL PLATE (FOR PM) (FOR USA AND CANADA ONLY)	PLACA MANDOS GENERALES (PARA PM) (SOLO PARA USA Y CANADA)	PLAQUE COMMANDES GENERALES (POUR PM) (SEULEMENT POUR USA ET CANADA)
	633081	GENERAL CONTROL PLATE (FOR PM) (EXCEPT FOR USA AND CANADA)	PLACA MANDOS GENERALES (PARA PM) (EXCEPTO PARA USA Y CANADA)	PLAQUE COMMANDES GENERALES (POUR PM) (SAUF POUR USA ET CANADA)
41	633131	START-STOP PLATE (FOR SM) (FOR USA AND CANADA ONLY)	PLACA MARCHA-PARO (PARA SM) (SOLO PARA USA Y CANADA)	PLAQUE MARCHE-ARRET (POUR SM) (SEULEMENT POUR USA ET CANADA)
	633073	START-STOP PLATE (FOR SM) (EXCEPT FOR USA AND CANADA)	PLACA MARCHA PARO (PARA SM) (EXCEPTO PARA USA Y CANADA)	PLAQUE MARCHE-ARRET (POUR SM) (SAUF POUR USA ET CANADA)





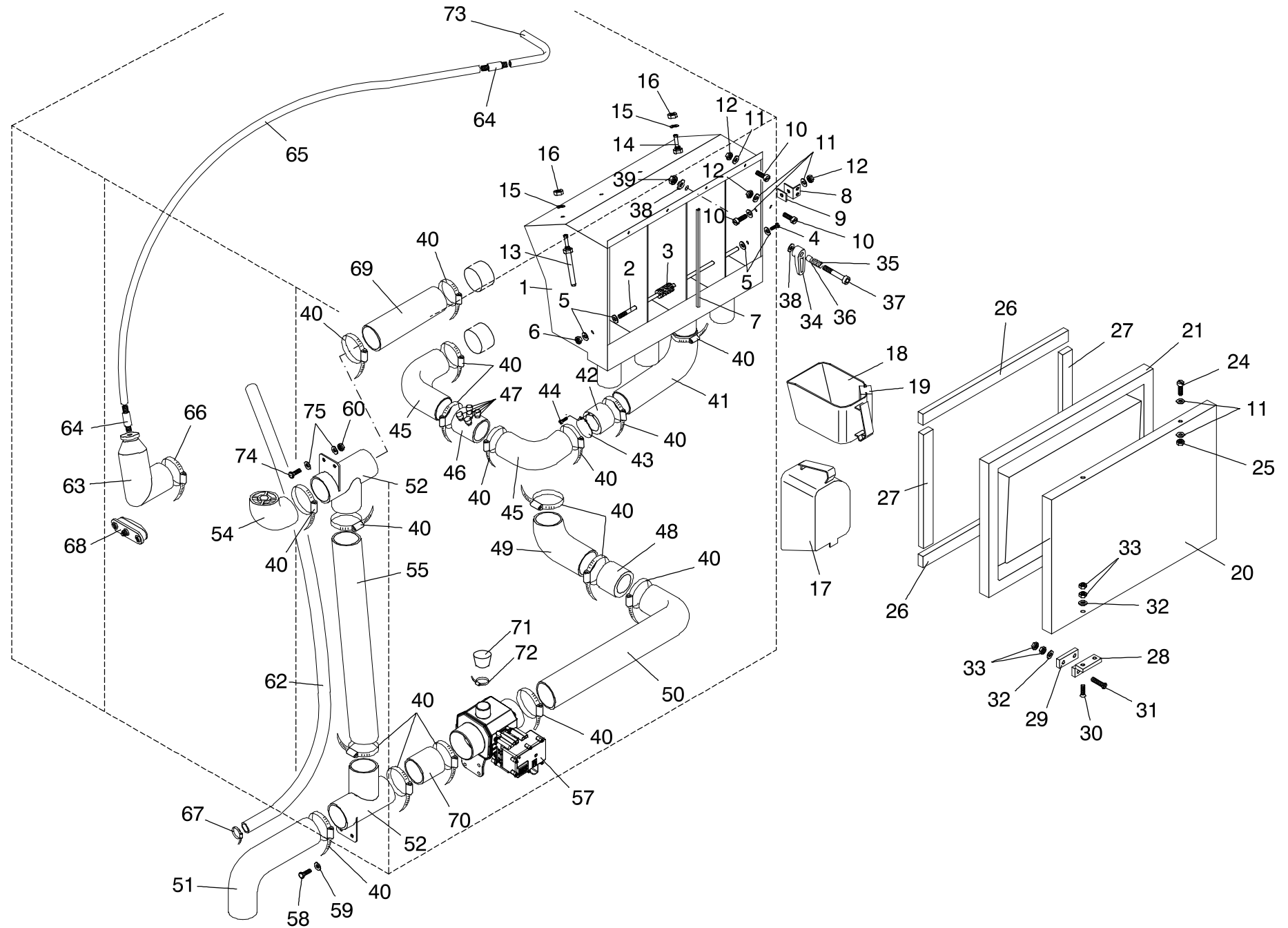
N°	REF	DENOMINATION	DENOMINACIÓN	DENOMINATION
1	272344	INSTALLATION BOX PLATE	PLACA CAJA INSTALACION	PLAQUE BOITE INSTALLATION
2	277210	INSTALLATION BOX BRACKET	SOPORTE CAJA INSTALACION	SUPPORT BOITE INSTALLATION
3	151878	RIVET POP TLP/D/636/BS4,8X 9,1	REMA.POP TLP/D/636/BS 4,8X 9,1	RIVET TLP/D/636/BS 4,8X 9,1
4	193433	CONTACTOR 3TF31 01-OAN2	CONTACTOR 3TF31 01-OAN2 ZZ	CONTACTEUR 3TF31 01-OAN2
	194050	COIL 3TY7 403-OAN2	BOBINA 3TY7 403-OAN2 ZZ	BOBINE 3TY7 403-OAN2
5	196592	CONTACT BLOCK 3TX4 091-1A	BLOQUEO 3TX4 091-1A ZZ	BLOC CONTACT 3TX4 091-1A
6	192278	CONTACTOR 3TF34 00-OAN2	CONTACTOR 3TF34 00-OAN2 ZZ	CONTACTEUR 3TF34 00-OAN2
	302810	COIL 3TY7 443-OAN2	BOBINA 3TY7 443-OAN2 ZZ	BOBINE 3TY7 443-OAN2
7	187039	THERMIC RELAY 3UA55 00-2C (FOR 200,208,220 AND 240V)	RELE TERM.3UA5500-2C 16-25A ZZ (PARA 200,208,220 Y 240V)	RELAIS THERMIQUE 13UA55 00-2C (POUR 200,208,220 ET 240V)
	197665	THERMIC RELAY 3UA55 00-2A (FOR 380,415 AND 440V)	RELE TERM.3UA5500-2A 10-16A ZZ (PARA 380,415 Y 440V)	RELAIS THERMIQUE 3UA55 00-2A (POUR 380,415 ET 440V)
8	187062	THERMIC RELAY 3UA59 00-1K (FOR 200,208,220 AND 240V)	RELE TERM.3UA5900-1K8-12,5A ZZ (PARA 200,208,220 Y 240V)	RELAIS THERMIQUE 3UA59 00-1K (POUR 200,208,220 ET 240V)
	300319	THERMIC RELAY 3UA59 00-1H 5-8A (FOR 380,415 AND 440V)	RELE TERM.3UA59 00-1H 5- 8A (PARA 380,415 Y 440V)	RELAIS THERMIQUE 3UA59 00-1H (POUR 380,415 ET 440V)
9	312272	TERMINAL WDU 4 BEIGE	BORNE WDU 4 BEIGE	BORNE WDU 4 BEIGE
10	312264	END PLATE WAP 2,5-10	TAPA FINAL WAP 2,5-10	PLAQUE FERMETURE WAP 2,5-10
11	142331	FIXING CLAMP	TOPE FIJACION PARA RAILES *	BRIDE FIXATION
12	601773	TERMINAL WDU10 BEIGE	BORNE WDU10 BEIGE	BORNE WDU10 BEIGE
13	199836	FILTER FRI FA-1Z	FILTRO DE RED RFI TIPO FA-1Z	FILTRE RFI FA-1Z
14	183400	CYL.PLATE SCREW ST-4 20 C/AL	TOR.CHAPA ST-4 20 C/AL.T25	VIS PLAQUE CYL.ST-4 20 C/AL
15	300764	TRANSFORMER IP00 100 VA (FOR 208-240V)	TRANSFORMADOR IP00 100 VA *	TRANSFORMATEUR IP00 100 VA (POUR 208-240V)
	306860	TRANSFORMER IP00 160 VA (FOR 440-480V)	TRANSFORMADOR IP00 160 VA *	TRANSFORMATEUR IP00 160 VA (POUR 440-480V)
	300756	TRANSFORMER IP00 100 VA (FOR 220 AND 380V)	TRANSFORMADOR IP00 100 VA *	TRANSFORMATEUR IP00 100 VA (POUR 220 ET 380V)
	300772	TRANSFORMER IP00 100 VA (FOR 200,240 AND 415V) (EXCEPT FOR USA AND CANADA)	TRANSFORMADOR IP00 100 VA * (PARA 200,240 Y 415V) (EXCEPTO PARA USA Y CANADA)	TRANSFORMATEUR IP00 100 VA (POUR 200,240 ET 415V) (SAUF POUR USA ET CANADA)
16	139444	PROTECTOR 1/480705-0	PROTECTOR 1/480705-0	PROTECTEUR 1/480705-0
17	199893	CLAMP STL-450-3-01	ABRAZADERA STL-450-3-01	BRIDE STL-450-3-01

Nº	REF	DENOMINATION	DENOMINACIÓN	DENOMINATION
18	140434	CLAMP 2221	BRIDA UNEX 2221 *	BRIDE 2221
19	146233	BICR.HEX SCREW DIN933-8 M6X15	TOR.EX.DIN933-8.8 B.TRI.M 6X15	VIS HEX DIN933-8.8 BICR.M6X15
20	149526	BICR.WASHER B DIN125-ST 6,4	ARAN.B DIN125-ST B.TRI. 6,4	RONDELLE B DIN125-ST BICR.6,4
21	150227	BICR HEX NUT DIN934-8 M6	TUER.EX.DIN934-8 B.TRI.M 6	ECROU HEX DIN934-8 BICR.M6
22	150177	BICR HEX NUT DIN934-8 M5	TUER.EX.DIN934-8 B.TRI.M 5	ECROU HEX DIN934-8 BIC.M5
23	160119	FUSE HOLDER REF.FEC 031 1631	PORTAFUSIBLES REF.FEC.031.1631	PORTE-FUSIBLE REF.FEC 031 1631
24	137661	BAYONET HEAD (FOR FUSE 6X32)	CABEZA BAYONETA FEK.031.1613 (PARA CARTUCHO 6X32)	TETE BAYONETTE (POUR CARTOUCHE 6X32)
	192286	BAYONET HEAD (FOR FUSE 5X20)	CABEZA BAYONETA FEK.031.1611 (PARA CARTUCHO 5X20)	TETE BAYONETTE (POUR CARTOUCHE 5X20)
25	182485	FUSE FST 0034.5225 1A (FOR FUSE 6X32)	CART.FUSIB.FST 0034.5225 1 A* (PARA CARTUCHO 6X32)	CARTOUCHE FUS.FST 0034.5225 1A (POUR CARTOUCHE 6X32)
	302612	FUSE FST 0034.3117 1A (FOR FUSE 5X20)	CART.FUSIB.FST 0034.3117 1A (PARA CARTUCHO 5X20)	CART.FUSIBLE FST 0034.3117 1A (POUR CARTOUCHE 5X20)
26	245571	CONTACTOR FIXING PROFILE	PERFIL FIJACION CONTACTORES	PROFILE FIXATION CONTACTEURS
27	146175	BICR CYL SCREW DIN84-4 M-5X10	TOR.CIL.DIN84-4.8 B.TRI.M 5X10	VIS CYL BICR DIN84-4.8.M-5X10
28	149534	BICR.WASHER B DIN125-ST 5,3	ARAN.B DIN125-ST BICR. 5,3	RONDELLE B BICR.DIN125-ST 5,3
29	139683	CONE ECPC-6	CONO HIMEL ECPC-6	CONE ECPC-6
30	146290	BICR.HEX SCREW DIN933-8 M-5X20	TOR.EX.DIN933-8.8 B.TRI.M 5X20	VIS HEX BICR.DIN933-8.8 M-5X20
31	146084	BICR CYL SCREW DIN84 M 4X 10	TOR.CIL.DIN84-4.8 B.TRI.M 4X10	VIS CYL BICR DIN84-4.8 M 4X 10
32	283739	CURRENT INLET COVER (WITHOUT SWITCH DISCONNECTOR)	TAPA ENTRADA CORRIENTE (SIN INTERRUPTOR SECCIONADOR)	COUVERCLE ENTREE COURANT (SANS INTERRUPTEUR SECTIONNER)
33	601773	TERMINAL WDU10 BEIGE (WITHOUT SWITCH DISCONNECTOR) (WITHOUT ELECTRIC HEATING)	BORNE WDU10 BEIGE (SIN INTERRUPTOR SECCIONADOR) (SIN CALEFACCION ELECTRICA)	BORNE WDU10 BEIGE (SANS INTERRUPTEUR SECTIONNER) (SANS CHAUFAGE ELECTRIQUE)
34	601781	TERMINAL WPE10 101030 (WITHOUT SWITCH DISCONNECTOR) (WITHOUT ELECTRIC HEATING)	BORNE TIERRA WPE10 101030 (SIN INTERRUPTOR SECCIONADOR) (SIN CALEFACCION ELECTRICA)	BORNE DE TERRE WPE10 101030 (SANS INTERRUPTEUR SECTIONNER) (SANS CHAUFAGE ELECTRIQUE)
35	277590	CURRENT INPUT COVER (WITH SWITCH DISCONNECTOR)	TAPA ENTRADA CORRIENTE (CON INTERRUPTOR SECCIONADOR)	COUVERCLE ENTREE DE COURANT (AVEC INTERRUPTEUR SECTIONNER)
36	300376	POWER SWITCH P1-32/V/SVB (WITH SWITCH DISCONNECTOR) (WITHOUT ELECTRIC HEATING)	INTERRUPT.GENERAL P1-32/V/SVB (CON INTERRUPTOR SECCIONADOR) (SIN CALEFACCION ELECTRICA)	INTERRUP.GRAL.P1-32/V/SVB (AVEC INTERRUPTEUR SECTIONNER) (SANS CHAUFAGE ELECTRIQUE)
37	300400	AUX.CONTACT. HI11.P1/P3Z (WITH SWITCH DISCONNECTOR)	CONTACTO AUXILIAR HI11-P1/P3Z (CON INTERRUPTOR SECCIONADOR)	CONTACT.AUX.HI11-P1/P3Z (AVEC INTERRUPTEUR SECTIONNER)

N°	REF	DENOMINATION	DENOMINACIÓN	DENOMINATION
38	149724	BICR EXT.TOOT.WASH.DIN6798 M5	ARAN.DEN.EXT.B.TRI.DIN6798M 5	RONDEL DEN.EX.BICR.DIN6798 M5

N°	REF	DENOMINATION	DENOMINACIÓN	DENOMINATION
		FROM MACHINE Nr:	A PARTIR DE LA MAQUINA No :	A PARTIR DE LA MACHINE NR:
		1.040.226	1.040.226	1.040.226
4	326231	CONTACTOR 3RT10 17-1AP02	CONTACTOR 3RT10 17-1AP02	CONTACTEUR 3RT10 17-1AP02
5	327841	CONTACT BLOCK 3RA19 12-2H	BLOQUEO 3RA19 12-2H	BLOC CONTCAT 3RA19 12-2H
6	320853	CONTACTOR 3RT10 34-1AL2	CONTACTOR 3RT10 34-1AL2	CONTACTEUR 3RT10 34-1AL2
	321257	COIL 3RT1934-5AL21 230-50/60	BOBINA 3RT1934-5AL21 230-50/60	BOBINE 3RT1934-5AL21 230-50/60
7	332163	THERMIC RELAY 3RU11364DB018-25 (FOR 200,208,220 AND 240V)	RELE TER.3RU11 36-4DB0 18-25 (PARA 200,208,220 Y 240V)	RELAIS TER.3RU11 36-4DB0 18-25 (POUR 200,208,220 ET 240V)
	332148	THERMIC RELAY 3RU11364AB011-16 (FOR 380,415 AND 440V)	RELE TER.3RU11 36-4AB0 11-16 (PARA 380,415 Y 440V)	RELAIS TER.3RU11 36-4AB0 11-16 (POUR 380,415 ET 440V)
8	332155	THERMIC RELAY 3RU11161KB1 9-12 (FOR 200,208,220 AND 240V)	RELE TER.3RU11 16-1KB1 9-12 (PARA 200,208,220 Y 240V)	RELAIS TER.3RU11 16-1KB1 9-12 (POUR 200,208,220 ET 240V)
	332122	THERMIC RELAY 3R111GB144,5-6,3 (FOR 380,415 AND 440V)	RELE TER.3RU11 16-1GB1 4,5-6,3 (PARA 380,415 Y 440V)	RELAIS TER.3R11 16-1GB14,5-6,3 (POUR 380,415 ET 440V)



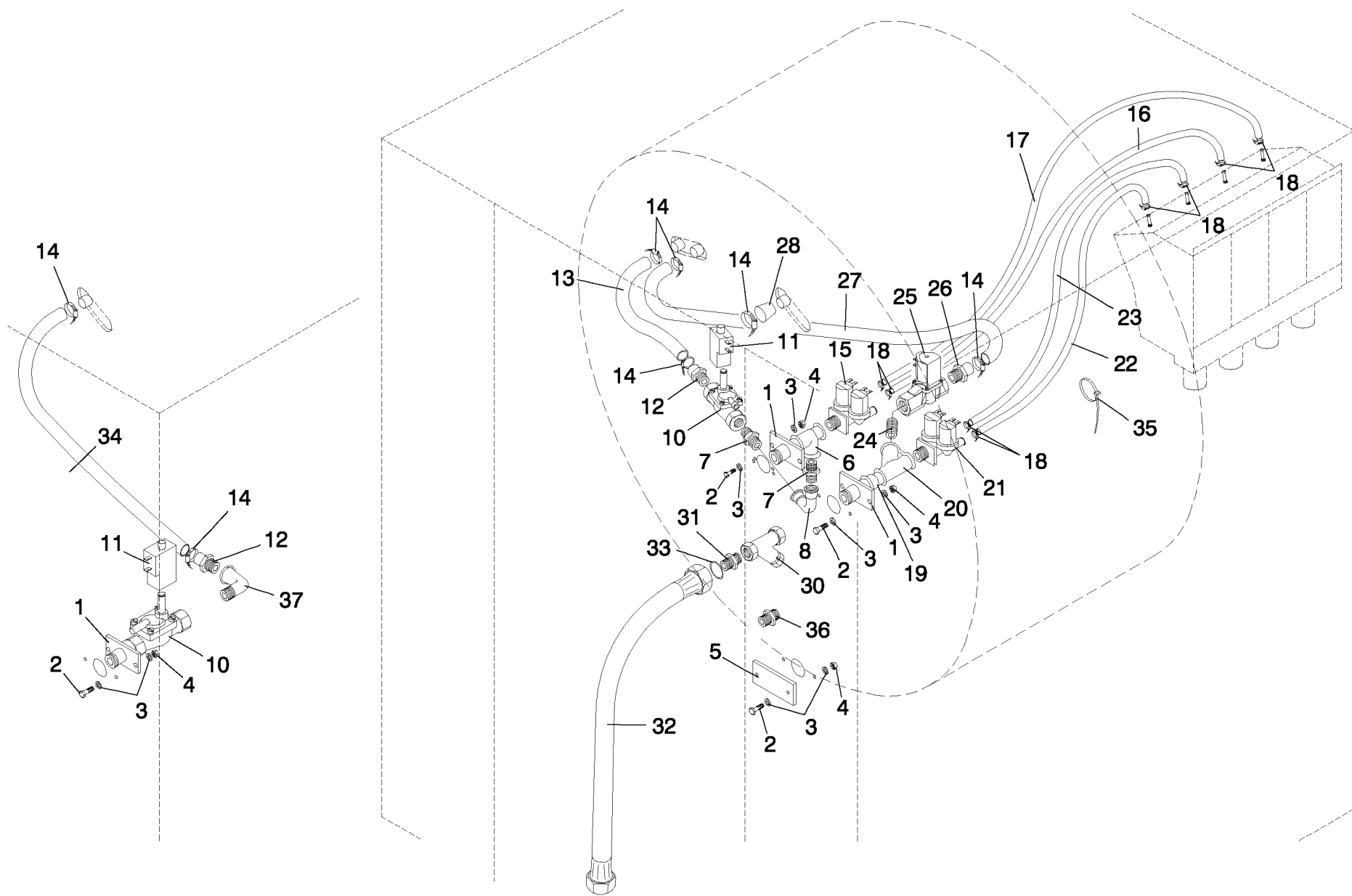


Nº	REF	DENOMINATION	DENOMINACIÓN	DENOMINATION
1	256404	DISPENSER BOX SET (PIN AND PROFILES INCLUDES)	CONJUNTO DOSIFICADORES (INCLUYE VARILLA Y PERFILES )	ENSEMBLE BOITE BAC A PRODUITS BAGUETTE ET PROFILES COMPRIS
2	256545	SOAP DISPENSER BAR	VARILLA DOSIFICADOR	BAGUETTE BAC A PRODUITS
3	271916	SOAP DISPENSER ROD PROTECTION	FUNDA VARILLA DOSIFICADOR	FOURREAU BAGUET.BAC A PRODUITS
4	144782	INOX HEX SCREW DIN933 M 5X15	TOR.EX.DIN933INOX A2-70 M 5X15	VIS HEX INOX DIN933 M 5X15
5	160838	WASHER 14X6X1,5	ARANDELA 14X6X1.5 INOX	RONDELLE 14X6X1,5
6	176826	SELF-BLOCKING NUT DIN 985 M-5	TUER.AUTOBL.DIN985-8 B.TRI.M5	ECROU AUTOBLOCANT DIN 985 M-5
7	255547	SOAP DISPENSER PROFILE	PERFIL DOSIFICADOR	PROFILE BACS A PRODUITS
8	256370	SOAP DISPENSER FIXING	FIJACION DOSIFICADOR	FIXATION BAC A PRODUITS
9	256446	SOAP DISPENSER BRACKET PIECE	PIEZA SOPORTE DOSIFICADOR	PIECE SUPPORT BAC A PRODUITS
10	145631	INOX FLAT SCREW DIN85 A2-70 M4X16	TOR.PLA.DIN85 INOX A2-70 M4X16	VIS PLAT INOX DIN85 A2-70 M4X16
11	149328	INOX A2 WASHER DIN 125 4,3	ARAN. DIN125 INOX A2 4,3	RONDELLE INOX A2 DIN 125 4,3
12	176792	INOX SELF-BLOCK.NUT DIN985 M 4	TUER.AUTOBL.DIN985 INOX M 4*	ECROU AUTOBLOC.INOX DIN985 M 4
13	244467	DISPENSER HOSE	TUBO DOSIFICADOR	TUBE BAC A PRODUITS
14	242883	DISPENSER HOSE COUPLING	RACOR TUBO DOSIFICADOR	RACCORD TUBE BAC A PRODUITS
15	149393	BICR WASHER B DIN125-ST 15	ARAN.B DIN125-ST B.TRI.15	RONDELLE B BICR DIN125-ST 15
16	150250	BICR HEX.NUT DIN 934-8 M 14	TUER.EX.DIN934-8 B.TRI.M14	ECROU HEX.BICR DIN 934-8 M 14
17	244806	SOLID SOAP DISPENSER	DOSIFICADOR DETERGENTE SOLIDO	BAC A PRODUIT DETERGENT SOLIDE
18	244855	LIQUID SOAP DISPENSER (KEYS INCLUDED)	DOSIFICADOR DETERGENTE LIQUIDO (INCLUYE LLAVES)	BAC A PRODUIT DETERG.LIQUIDE (CLES COMPRISES)
19	234930	CHLORINE INTAKE HOSE	TUBO ASPIRACION CLORO	TUBE ASPIRATION CHLORE
20	244566	DISPENSERS LID	TAPA DOSIFICADORES	COUVERCLE BAC A PRODUITS
21	199984	SOAP DISPENSER COUNTERLID	CONTRATAPA DOSIFICADORES	CONTRECOUVERCLE BAC A PRODUITS
24	145649	INOX FLAT SCREW DIN85 M 4X10	TOR.PLA.DIN85 INOX A2-70 M4X10	VIS PLAT INOX DIN85 M-4X10 A2
25	149922	INOX HEX. NUT DIN 934 M-4	TUER.EX.DIN934 INOX A2-70 M 4	ECROU HEX. INOX DIN 934 M-4
26	256396	& DISPENSER LID GASKET	JUNTA TAPA DOSIFICADOR	JOINT COUVERCLE BAC A PRODUITS
27	244608	& DISPENSERS LID GASKET	JUNTA TAPA DOSIFICADORES	JOINT COUVERCLE BAC A PRODUITS
28	176800	HINGE 72-7-3329 CHROMED	BISAGRA PINET 72-7-3329 CROM.	CHARNIERE 72-7-3329 CHROM
29	244590	HINGE SUPPLEMENT	SUPLEMENTO BISAGRA	SUPPLEMENT CHARNIERE

Nº	REF	DENOMINATION	DENOMINACIÓN	DENOMINATION
30	176784	INOX SCREW DIN 963 M-3X10 A270	TOR.AV.DIN963 INOX A2-70 M3X10	VIS INOX DIN 963 M-3X10 A2-70
31	144758	INOX LENS HEAD S.DIN963 M 3X16	TOR.AV.DIN963 INOX A2-70 M3X16	VIS T/FRAI.INOX DIN963 M 3X16
32	152132	INOX A2 WASHER DIN 125	ARAN. DIN125 INOX A2 3,2	RONDELLE INOX A2 DIN 125 3,2
33	149906	INOX. HEX. NUT DIN 934 M-3	TUER.EX.DIN934 INOX A2-70 M 3	ECROU HEX. INOX DIN934 M-3
34	187393	LOCKING HANDLE	MANECILLA CIERRE	POIGNEE FERMETURE
35	187401	LOCKING HANDLE SPRING	MUELLE MANECILLA CIERRE	RESSORT POIGNEE FERMETURE
36	257469	HANDLE HOSE	TUBO MANECILLA	TUBE POIGNEE
37	144436	ALLEN SCREW DIN912 M8X45	TOR.ALL DIN912-8.8 B.TRI.M8X45	VIS ALLEN DIN912 M8X45
38	149351	INOX A2 WASHER DIN 125 8,4	ARAN. DIN125 INOX A2 8,4	RONDELLE INOX A2 DIN 125 8,4
39	164285	SELFBLOCKING NUT DIN985 M-8	TUER.AUTOBL.DIN985-8 B.TRI.M8	ECROU AUTOBLOCANT DIN985 M-8
40	132340	CLAMP REF.30173380-2 D80-100	ABRAZADERA REF.30173380-2 D80-100	BRIDE REF.30173380-2 D80-100
41	163204	DRAIN HOSE	TUBO DESAGUE	TUBE VIDANGE
42	263962	STOPPER (MEMBRANE INCLUDED)	OBTURADOR (INCLUYE MEMBRANA)	OBTURATEUR (COMPRIS MEMBRANE)
43	263954	STOPPER MEMBRANE	MEMBRANA OBTURADOR	OBTURATEUR MEMBRANE
44	192203	INOX PLATE SCREW DIN7971 4X1/2	TOR.CHAPA INOX.DIN7971 4X1/2"	VIS PLAQUE INOX DIN7971 4X1/2"
45	175083	WATER INLET ELBOW	CODO ENTRADA AGUA	COUDE ENTREE EAU
46	220061	SOAP INLET JOINTING	UNION ENTRADA DETERGENTE	UNION ENTREE DETERGENT
47	156679	CONICAL END-PIECE R-16 D10	TOPE CONICO REPRIMSA R-16 D10	BOUCHON CONIQUE R-16 D10
48	194217	OBTURATOR HOSE	TUBO OBTURADOR	TUBE OBTURATEUR
49	272724	DRAIN HOSE	TUBO SALIDA DESAGÜE	TUBE SORTIE VIDANGE
50	278002	RUBER ELBOW D73X350X210	CODO GOMA D73X350X210	COUDE GOMME D73X350X210
51	163253	DRAIN OUTLET HOSE	TUBO SALIDA DESAGÜE	TUBE SORTIE VIDANGE
52	178152	UNION T	TE UNION	T UNION
54	300442	EXHAUST ELBOW	CODO SALIDA VAHOS	COUDE SORTIE VAPEURS
55	282954	OVERFLOW HOSE	TUBO REBOSADERO	TUBE DEVERSOIR
57	600551	DRAIN G3-O-180	DESAGÜE G3-O-180	VIDANGE G3-O-180
58	146316	BICR.HEX SCREW DIN933-8 M-6X20	TOR.EX.DIN933-8.8 B.TRI.M 6X20	VIX HEX BICR.DIN933-8.8 M-6X20
59	115733	WASHER 16X7X3	ARANDELA 16X7X3 TRIVALEN.	RONDELLE 16X7X3



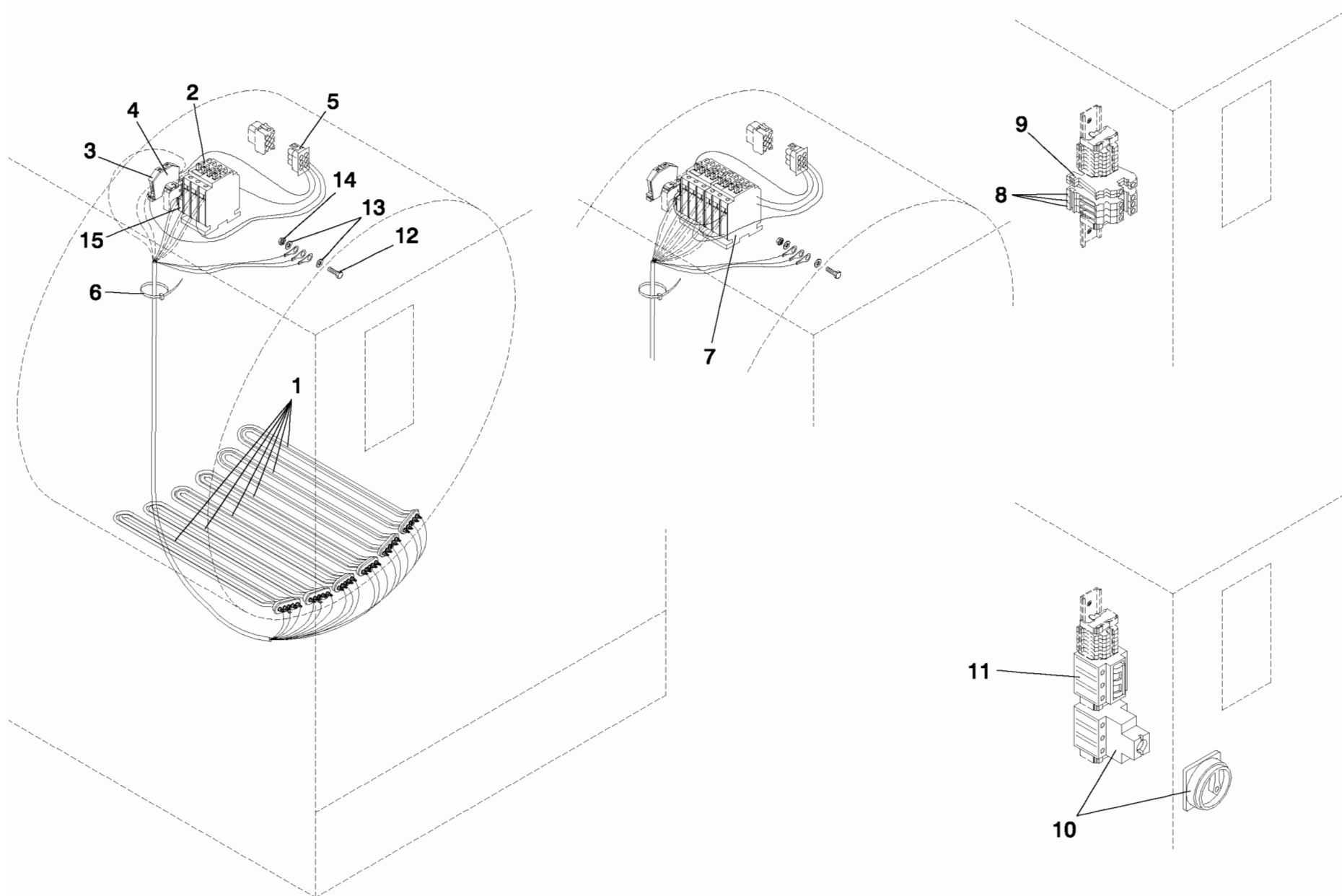
N°	REF	DENOMINATION	DENOMINACIÓN	DENOMINATION
60	150227	BICR HEX NUT DIN934-8 M6	TUER.EX.DIN934-8 B.TRI.M 6	ECROU HEX DIN934-8 BICR.M6
62	234047	BEARING BOX DRAIN HOSE	TUBO DESAGUE CAJA COJINETES	TUBE VIDANGE BOITE ROULEMENTS
63	120964	PRESSURE SWITCH INTAKE BODY	CUERPO TOMA PRESOSTATO	CORPS PRISE PRESSOSTAT
64	120956	LEVEL PRESSURE-SWITCH INTAKE	TOMA PRESOSTATO NIVEL	PRISE PRESSOSTAT NIVEAU
65	244897	PRESSOSTAT HOSE	TUBO PRESOSTATOS	TUBE PRESSOSTATS
66	132290	CLAMP 301730-8 D50-70	ABRAZADERA 301730-8 D50- 70	BRIDE 301730-8 D50-70
67	156109	CLAMP 16-27	ABRAZADERA 16- 27 *	BRIDE 16-27
68	121962	HEATER INLET LID	CIERRE ENTRADA CALEFACTOR *	FERMETURE ENTREE RESISTANCE
69	282962	VAPOUR OUTLET HOSE	TUBO SALIDA VAHOS	TUBE SORTIE VAPEURS
70	277053	DRAIN JOINTING HOSE	TUBO UNION DESAGUE	TUBE UNION VIDANGE
71	135004	CONICAL END-PIECE REPRIMSA R16	TOPE CONICO REPRIMSA R-16 D30	ARRET CONIQUE REPRIMSA R16 D30
72	149609	CLAMP 25-40	ABRAZADERA 25- 40 *	BRIDE 25-40
73	279588	AIR CONDUCTION HOSE	TUBO CONDUCCION AIRE	TUBE CONDUITE AIR
74	146233	BICR.HEX SCREW DIN933-8 M6X15	TOR.EX.DIN933-8.8 B.TRI.M 6X15	VIS HEX DIN933-8.8 BICR.M6X15
75	149526	BICR.WASHER B DIN125-ST 6,4	ARAN.B DIN125-ST B.TRI. 6,4	RONDELLE B DIN125-ST BICR.6,4



N°	REF	DENOMINATION	DENOMINACIÓN	DENOMINATION
1	214502	ELECTROVALVE BRACKET	SOPORTE ELECTROVALVULA	SUPPORT ELECTROVANNE
2	146233	BICR.HEX SCREW DIN933-8 M6X15	TOR.EX.DIN933-8.8 B.TRI.M 6X15	VIS HEX DIN933-8.8 BICR.M6X15
3	149526	BICR.WASHER B DIN125-ST 6,4	ARAN.B DIN125-ST B.TRI. 6,4	RONDELLE B DIN125-ST BICR.6,4
4	150227	BICR HEX NUT DIN934-8 M6	TUER.EX.DIN934-8 B.TRI.M 6	ECROU HEX DIN934-8 BICR.M6
5	122713	WATER INLET COVER	TAPA ENTRADA AGUA	COUVERCLE ENTREE EAU
6	128769	T FIG 130 1"-1"-3/4" GALV	FIGURA 130RED.DE 1-1-3/4"GALV.	T FIG 130 1"-1"-3/4" GALV
7	129791	FIG 280 1" GALV	FIGURA 280 DE 1" GALV.	FIG 280 1" GALV
8	129361	FIG 2 1" GALV	FIGURA 2 DE 1" GALV.	FIG 2 1" GALV
10	149591	VALVE BODY EVSI-25 32U7125	CUERPO VAL.EVSI-25 32U7125 WBD	CORPS VANNE EVSI-25 32U7125
	104067	SPARE PARTS KIT EVSI-25 WBD	KIT REPUES.EVSI-25 WBD 32U1075	KIT RECHANGES EVSI-25 WBD
11	100834	VALVE COIL 42N7523 220V 60HZ (FOR 60 HZ)	BOBINA VAL.42N7523 220V 60HZ * (PARA 60 HZ)	BOBINE VANNE 42N7523 220V 60HZ (POUR 60 HZ)
	100826	VALVE COIL 42N7501 220V 50HZ (FOR 50 HZ)	BOBINA VAL.42N7501 220V 50HZ * (PARA 50 HZ)	BOBINE VANNE 42N7501 220V 50HZ (POUR 50 HZ)
12	166793	WATER INLET NUT	TUERCA ENTRADA AGUA	ECROU ENTREE EAU
13	244913	WATER INLET HOSE	TUBO ENTRADA AGUA	TUBE ENTREE EAU
14	149609	CLAMP 25-40	ABRAZADERA 25- 40 *	BRIDE 25-40
15	256503	TWO TRACK ELECTROVALVE	ELECTROVALVULA DOS VIAS	ELECTROVANNE DEUX VOIES
	192054	ELECT.SERIES 300 COIL 220/240V	BOBINA ELEC.SERIE 300 220/240V	BOBINE ELEC.SERIE 300 220/240V
	300194	YELLOW CASE 30053	ESTUCHE AMARILLO 30053	BOITE JAUNE 30053
	300202	INTEGRAL GUIDE-MEMBRANE 30696	MEMBRANA-GUIA INTEGRAL 30696 *	MEMBRANE-GUIDE INTEGRALE 30696
16	163584	& WATER INLET HOSE	TUBO ENTRADA AGUA	TUBE ENTREE EAU
17	214320	& WATER INLET HOSE	TUBO ENTRADA AGUA	TUBE ENTREE EAU
18	155150	HOSE CLIP ASFA-L W2 8-16	ABRAZADERA ASFA-L W2 8-16	COLLIER ASFA-L W2 8-16
19	129726	FIG.246 1-3/4" GALV.	FIGURA 246 DE 1-3/4" GALV.	FIG.246 1-3/4" GALV.
20	191445	FIG 165 3/4" GALV.	FIGURA 165 DE 3/4" GALV.	FIG. 165 3/4" GALV.
21	129379	DOUBLE ELECTROVALVE 349-A 180°	ELECTROV.DOUBLE 349-A 180°*	ELECTROVANNE DOUBLE 349-A 180°
	192054	ELECT.SERIES 300 COIL 220/240V	BOBINA ELEC.SERIE 300 220/240V	BOBINE ELEC.SERIE 300 220/240V
	300194	YELLOW CASE 30053	ESTUCHE AMARILLO 30053	BOITE JAUNE 30053

N°	REF	DENOMINATION	DENOMINACIÓN	DENOMINATION
	300202	INTEGRAL GUIDE-MEMBRANE 30696	MEMBRANA-GUIA INTEGRAL 30696 *	MEMBRANE-GUIDE INTEGRALE 30696
22	117465	& WATER INLET HOSE	TUBO ENTRADA AGUA	TUBE ENTREE EAU
23	214395	& WATER INLET HOSE	TUBO ENTRADA AGUA	TUBE ENTREE EAU
24	130005	INNER SLEEVE FIG.531 3/4" GALV.	FIGURA 531 DE 3/4" GALV.	MANCHON INTERIEUR FIG.531 3/4"
25	353136	VALVE BODY EV220A G34 042U4031	CUERPO VAL.EV220A G34 042U4031	CORPS VANNE EV220AG34 042U4031
	353144	COIL AB 4.5W230VAC 042NO800	BOBINA AB 4.5W230VAC 042NO800	BOBINE AB 4.5W230VAC 042NO800
	503417	SPARE PARTS KIT EV220A 042U1006	KIT REPUES. EV220A 042U1006	KIT RECHANGES EV220A 042U1006
26	272740	WATER INLET NUT	TUERCA ENTRADA AGUA	ECROU ENTREE EAU
27	246330	WATER INLET HOSE	TUBO ENTRADA AGUA	TUBE ENTREE EAU
28	149617	CONICAL END PIECE R-16 D25	TOPE CONICO REPRIMSA R-16 D25	ARRET CONIQUE R-16 D25
30	133744	THREADED BRASS FILTER 1"	FILTRO LATON FLT ROSC. 1" 0,5	FILTRE FILETE LAITON 1"
31	216382	WATER INLET SLEEVE (EXCEPT FOR USA AND CANADA)	MANGUITO ENTRADA AGUA (EXCEPTO PARA USA Y CANADA)	MANCHON ENTREE EAU (SAUF POUR USA ET CANADA)
32	164194	WATER INLET HOSE RACCORDS 1" (EXCEPT FOR USA AND CANADA)	TUBO EPDM 1"X1500 C.RACORES* (EXCEPTO PARA USA Y CANADA)	TUBE ENTREE EAU RACCORDS 1" (SAUF POUR USA ET CANADA)
33	216408	GASKET	JUNTA D31XD20X2	JOINT
34	244921	WATER INLET HOSE	TUBO ENTRADA AGUA	TUBE ENTREE EAU
35	140525	CLAMP 2244-0	BRIDA UNEX 2244-0 *	BRIDE 2244-0
36	249516	WATER INLET SLEEVE (FOR USA AND CANADA ONLY)	MANGUITO ENTRADA AGUA-VAPOR (SOLO PARA USA Y CANADA)	MANCHON ENTREE EAU (SEULEMENT POUR USA ET CANADA)
37	129510	FIG.92 1" GALV.  THIRD WATER INLET KITS	FIGURA 92 DE 1" GALV.  KITS TERCERA ENTRADA AGUA	FIG.92 1" GALV.  KITS TROISIEME ENTREE EAU
	797522	THIRD WATER INLET KIT 60HZ (FOR USA AND CANADA ONLY)	KIT TERCERA ENTRADA AGUA 60HZ. (SOLO PARA USA Y CANADA)	KIT TROISIEME ENTREE EAU 60HZ (SEULEMENT POUR USA ET CANADA)
	798090	THIRD WATER INLET KIT 60HZ (EXCEPT FOR USA AND CANADA)	KIT TERCERA ENTRADA AGUA 60HZ (EXCEPTO PARA USA Y CANADA)	KIT TROISIEME ENTREE EAU 60HZ (SAUF POUR USA ET CANADA)
	798082	THIRD WATER INLET KIT 50HZ	KIT TERCERA ENTRADA AGUA 50HZ	KIT TROISIEME ENTREE EAU 50HZ
&	128215	1 METER HOSE EPDM D 9X17	1 METRO TUBO EPDM D 9X17	1 METRE TUBE EPDM D 9X17



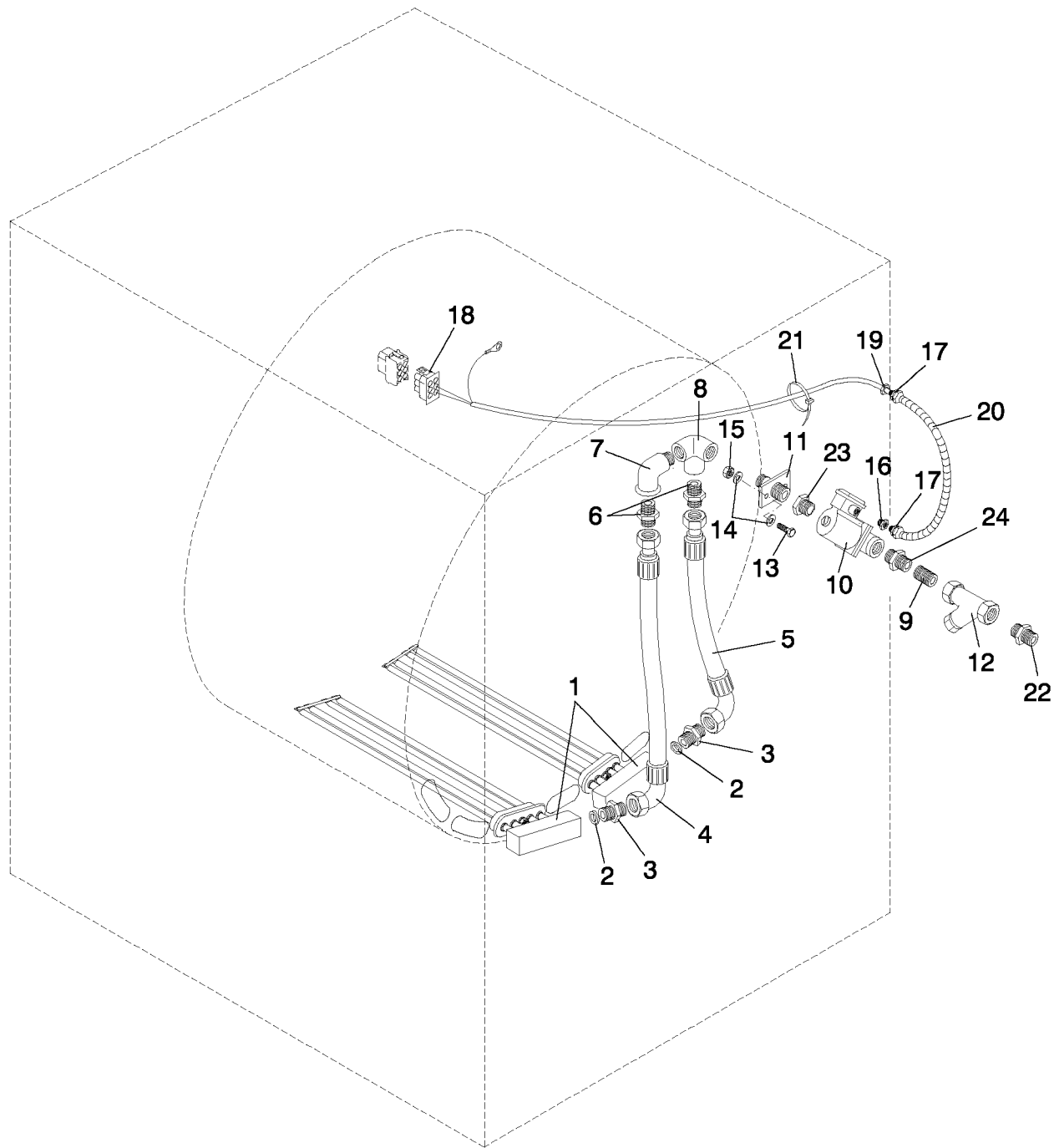


N°	REF	DENOMINATION	DENOMINACIÓN	DENOMINATION
		ELECTRIC HEATING KITS (WITHOUT SWITCH DISCONNECTOR)	KITS CALEFACCION ELECTRICA (SIN INTERRUPTOR SECCIONADOR)	KITS CHAUFFAGE ELECTRIQUE (SANS INTERRUPTEUR SECTIONNER)
	797431	KIT E.H.FOR 200-208-220V	KIT CAL.ELEC.200-208-220V.	KIT CH.E.POUR 200-208-220V
	797449	KIT E.H.FOR 240V	KIT CAL.ELEC.240V.	KIT CH.E.POUR 240V
	797456	KIT E.H.FOR 380V	KIT CAL.ELEC.380V.	KIT CH.E.POUR 380V
	797464	KIT E.H.FOR 415-440V	KIT CAL.ELEC.415-440V.	KIT CH.E.POUR 415-440V
		ELECTRIC HEATING KITS (WITH SWITCH DISCONNECTOR)	KITS CALEFACCION ELECTRICA (CON INTERRUPTOR SECCIONADOR)	KITS CHAUFFAGE ELECTRIQUE (AVEC INTERRUPTEUR SECTIONNER)
	797357	KIT E.H.FOR 200-208-220V	KIT CAL.ELEC.200-208.220V.	KIT CH.E.POUR 200-208-220V
	797365	KIT E.H.FOR 240V	KIT CAL.ELEC.240V.	KIT CH.E.POUR 240V
	797373	KIT E.H.FOR 380V	KIT CAL.ELEC.380V.	KIT CH.E.POUR 380V
	797381	KIT E.H.FOR 415-440V	KIT CAL.ELEC.415-440V.	KIT CH.E.POUR 415-440V
1	321232	HEATER 230V 5500W (FOR 200V-208V-220V-230V-380V-400V)	CALEFACTOR 230V 5500W (PARA 200V-208V-220V-230V-380V-400V)	RESISTANCE 230V 5500W (POUR 200V-208V-220V-230V-380V-400V)
	321224	HEATER 240V 5500W (FOR 240-415-440V)	CALEFACTOR 240V 5500W (PARA 240-415-440V)	RESISTANCE 240V 5500W (POUR 240-415-440V)
2	300251	CONTACTOR 3TF34 11-OAN2	CONTACTOR 3TF34 11-OAN2	CONTACTEUR 3TF34 11-OAN2
	302810	COIL 37Y7 443-OAN2	BOBINA 3TY7 443-OAN2 ZZ	BOBINE 3TY7 443-OAN2
3	313650	TERMINAL WDU35 BEIGE 102050	BORNE WDU35 BEIGE 102050	BORNE WDU35 BEIGE 102050
4	312330	BORNE COVER WAP16-35 105010	TAPA BORNE WAP16-35 105010	COUVERCLE BORNE WAP16-35 105010
5	139394	PLUG 6 POS W-T-W	PROTECTOR 6 POS W-T-W	PROTECTEUR 6 POS W-T-W
6	140525	CLAMP 2244-0	BRIDA UNEX 2244-0 *	BRIDE 2244-0
7	300251	CONTACTOR 3TF34 11-OAN2 (FOR 200,208,220 AND 240V)	CONTACTOR 3TF34 11-OAN2 (PARA 200,208,220 Y 240V)	CONTACTEUR 3TF34 11-OAN2 (POUR 200,208,220 ET 240V)
	302810	COIL 37Y7 443-OAN2	BOBINA 3TY7 443-OAN2 ZZ	BOBINE 3TY7 443-OAN2
8	313650	TERMINAL WDU35 BEIGE 102050 (WITHOUT SWITCH DISCONNECTOR)	BORNE WDU35 BEIGE 102050 (SIN INTERRUPTOR SECCIONADOR)	BORNE WDU35 BEIGE 102050 (SANS INTERRUPTEUR SECTIONNER)
9	312355	EARTH TERMINAL WPE35 101050 (WITHOUT SWITCH DISCONNECTOR)	BORNE TIERRA WPE35 101050 (SIN INTERRUPTOR SECCIONADOR)	BORNE DE TERRE WPE35 101050 (SANS INTERRUPTEUR SECTIONNER)

N°	REF	DENOMINATION	DENOMINACIÓN	DENOMINATION
10	300392	PAQUET.SWITCH P3-100/V/SVB (WITH SWITCH DISCONNECTOR)	INTERRUPT.GENERAL P3-100/V/SVB* (CON INTERRUPTOR SECCIONADOR)	INTERRUP.PAQUET P3-100/V/SVB (AVEC INTERRUPTEUR SECTIONNER)
11	279273	MOTOR PROTECTION SWITCH (WITH SWITCH DISCONNECTOR)	INTERRUPTOR PROTECCION MOTOR (CON INTERRUPTOR SECCIONADOR)	INTERRUPTEUR.PROTECTION MOTEUR (AVEC INTERRUPTEUR SECTIONNER)
12	146290	BICR.HEX SCREW DIN933-8 M-5X20	TOR.EX.DIN933-8.8 B.TRI.M 5X20	VIS HEX BICR.DIN933-8.8 M-5X20
13	149724	BICR EXT.TOOTH.WASH.DIN6798 M5	ARAN.DEN.EXT.B.TRI.DIN6798M 5	RONDEL DEN.EX.BICR.DIN6798 M5
14	150177	BICR HEX NUT DIN934-8 M5	TUER.EX.DIN934-8 B.TRI.M 5	ECROU HEX DIN934-8 BIC.M5



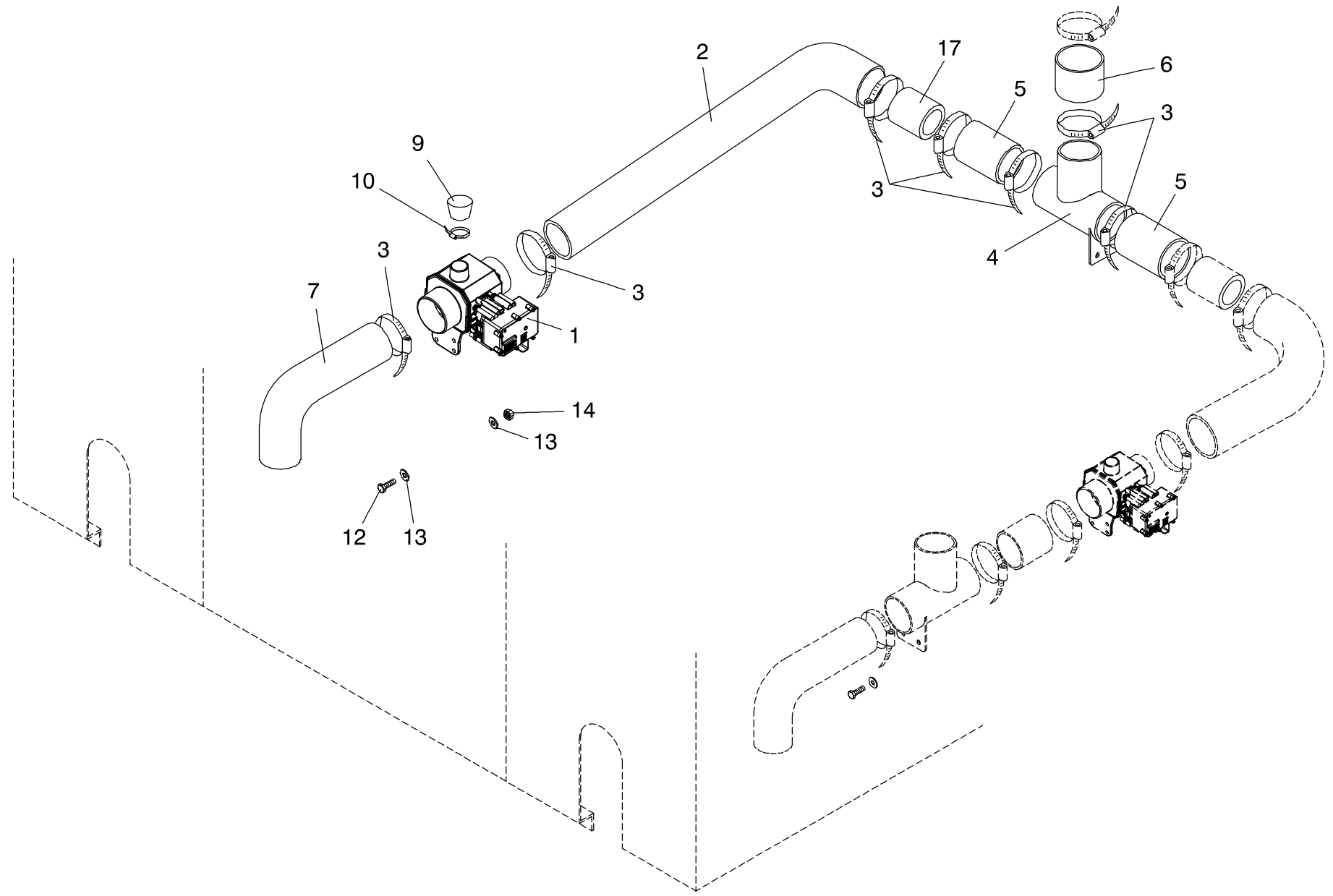
N°	REF	DENOMINATION	DENOMINACIÓN	DENOMINATION
		FROM MACHINE Nr:	A PARTIR DE LA MAQUINA No :	A PARTIR DE LA MACHINE NR:
		1.040.226	1.040.226	1.040.226
2	321562	CONTACTOR 3RT10 35-1LA2	CONTACTOR 3RT10 35-1AL2	CONTACTEUR 3RT10 35-1AL2
	328567	COIL 3RT1935-5AL21 230-50/60	BOBINA 3RT1935-5AL21 230-50/60	BOBINE 3RT1935-5AL21 230-50/60
7	321562	CONTACTOR 3RT10 35-1LA2 (FOR 200,208,220 AND 240V)	CONTACTOR 3RT10 35-1AL2 (PARA 200,208,220 Y 240V)	CONTACTEUR 3RT10 35-1AL2 (POUR 200,208,220 ET 240V)
	328567	COIL 3RT1935-5AL21 230-50/60	BOBINA 3RT1935-5AL21 230-50/60	BOBINE 3RT1935-5AL21 230-50/60
15	332254	AUX.CONTACT BLOCK3RH1921-1DA11	BLOQUE CONTAC.AUX3RH1921-1DA11	BLOC CONTACT AUX.3RH1921-1DA11



Nº	REF	DENOMINATION	DENOMINACIÓN	DENOMINATION
		STEAM HEATING KITS	KITS CALEFACCION VAPOR	KITS CHAUFFAGE VAPEUR
	720029	STEAM HEATING KIT 60HZ (FOR USA AND CANADA ONLY)	COMP.VAPOR SM/PM 60 USA Y CANA (SOLO PARA USA Y CANADA)	KIT CHAUFFAGE VAPEUR 60HZ (SEULEMENT POUR USA ET CANADA)
	717611	STEAM HEATING KIT 60HZ (EXCEPT FOR USA AND CANADA)	KIT CALEFACCION VAPOR 60HZ (EXCEPTO PARA USA Y CANADA)	KIT CHAUFFAGE VAPEUR 60HZ (SAUF POUR USA ET CANADA)
	717603	STEAM HEATING KIT 50HZ	KIT CALEFACCION VAPOR 50HZ	KIT CHAUFFAGE VAPEUR 50HZ
1	214916	STEAM DISTRIBUTOR	DISTRIBUIDOR VAPOR	DISTRIBUTEUR VAPEUR
2	109777	COPPER GASKET 1/2"	12504 JUNTA COBRE 1/2"	JOINT CUIVRE 1/2"
3	217745	STEAM INLET RACCORD	RACOR ENTRADA VAPOR	RACCORD ENTREE VAPEUR
4	175000	STEAM INLET JOINTING	UNION ENTRADA VAPOR	UNION ENTREE VAPEUR
5	175018	STEAM INLET JOINTING	UNION ENTRADA VAPOR	FLEXIBLE ENTREE VAPEUR
6	176479	COUPLING SCREW 3/4"	10904 TORNILLO UNION MM3/4"	VIS UNION 3/4"
7	129502	ELBOW FIG. 92 3/4" GALV.	FIGURA 92 DE 3/4" GALV.	COUDE FIG. 92 3/4" GALV.
8	176461	FIG. 221 3/4" GALV.	FIGURA 221 DE 3/4" GALV.	FIG. 221 3/4" GALV.
9	130005	INNER SLEEVE FIG.531 3/4" GALV	FIGURA 531 DE 3/4" GALV.	MANCHON INTERIEUR FIG.531 3/4"
10	583377	STEAM VALVE BODY 3/4"	CUERPO VALV.VAPOR 3/4" *	CORPS VANNE VAPEUR 3/4"
	583385	STEAM VALVE COIL 208-240V 50/60Hz	BOBINA V.VAPOR 208-240V 50/60Hz *	BOBINE V. VAPEUR 208-240V 50/60Hz
11	244632	STEAM INLET	ENTRADA VAPOR	ENTREE VAPEUR
12	133736	STRAINER THREADED 3/4" 0,3 PN16	FILTRO GG25 ROSC.3/4" PN16 0'3MM INOX	FILTRE FILETE 3/4" 0,3 PN16
13	146233	BICR.HEX SCREW DIN933-8 M6X15	TOR.EX.DIN933-8.8 B.TRI.M 6X15	VIS HEX DIN933-8.8 BICR.M6X15
14	149526	BICR.WASHER B DIN125-ST 6,4	ARAN.B DIN125-ST B.TRI. 6,4	RONDELLE B DIN125-ST BICR.6,4
15	150227	BICR HEX NUT DIN934-8 M6	TUER.EX.DIN934-8 B.TRI.M 6	ECROU HEX DIN934-8 BICR.M6
16	140319	THREAD REDUCER PG 13,5-9	REDUCCIÓN DE ROSCA PG 13,5-9	RÉDUCTEUR DE FILETAGE PG 13,5-9
17	140152	FITTING JUDODIX PG 9	RACOR JUDODIX PG 9	RACCORD JUDODIX PG 9
18	139394	PLUG 6 POS W-T-W	PROTECTOR 6 POS W-T-W	PROTECTEUR 6 POS W-T-W
19	140228	NUT PG-9	TUERCA PG- 9	ECROU PG-9
20	140707	HOSE HELIPLAST NO 9 REF.77009 (1 METER)	TUBO HELIPLAST NO. 9 REF.77009 (1 METRO)	TUBE HELIPLAST NO 9 REF.77009 (1 METRE)
21	140525	CLAMP 2244-0	BRIDA UNEX 2244-0 *	BRIDE 2244-0

N°	REF	DENOMINATION	DENOMINACIÓN	DENOMINATION
22	249508	STEAM INLET SLEEVE (FOR USA AND CANADA ONLY)	MANGUITO ENTRADA VAPOR (SOLO PARA USA Y CANADA)	MANCHON ENTREE VAPEUR (SEULEMENT POUR USA ET CANADA)

N°	REF	DENOMINATION	DENOMINACIÓN	DENOMINATION
		FROM MACHINE Nr: 1.040.304	A PARTIR DE LA MAQUINA No : 1.040.304	A PARTIR DE LA MACHINE NR: 1.040.304
10	343814	VALVE BODY EVSIS20NPT 032U3693 (FOR 60 HZ) (COIL NOT INCLUDED)	CUERPO VAL.EVSIS20NPT 032U3693 (PARA 60 HZ) (NO INCLUYE BOBINA)	CORPS VANNE EVSIS20NPT (POUR 60 HZ) (NON COMPRIS BOBINE)
	405415	COIL 240V 60HZ	BOBINA 240V.60HZ.	BOBINE 240V 60HZ
	318063	SPARE KIT EVSIS 15 032U3172	KIT REPUES.EVSIS 15 032U3172	KIT RECHANGE EVSIS 15 032U3172
23	431817	SLEEVE MALE-FEMALE	MANGUITO MACHO-HEMERA	MANCHON MALE-FEMALE
24	431833	SLEEVE DOUBLE MALE 3/4"	MANGUITO DOBLE MACHO 3/4"	MANCHON DOUBLE MALE 3/4"



Nº	REF	DENOMINATION	DENOMINACIÓN	DENOMINATION
	796714	SECOND DRAIN KIT	KIT 2º DESAGÜE LS-355	KIT DEUXIEME VIDANGE
1	600577	DRAIN G3-C-180	DESAGÜE G3-C-180	VIDANGE G3-C-180
2	175075	DRAIN HOSE	CODO GOMA D73X530X215	TUBE VIDANGE
3	132340	CLAMP REF.30173380-2 D80-100	ABRAZADERA REF.30173380-2 D80-100	BRIDE REF.30173380-2 D80-100
4	178152	UNION T	TE UNION	T UNION
5	283135	DRAIN HOSE	TUBO DESAGUE	TUBE VIDANGE
6	277053	DRAIN JOINTING HOSE	TUBO UNION DESAGUE	TUBE UNION VIDANGE
7	163253	DRAIN OUTLET HOSE	TUBO SALIDA DESAGÜE	TUBE SORTIE VIDANGE
8	194217	OBTURATOR HOSE	TUBO OBTURADOR	TUBE OBTURATEUR
9	135004	CONICAL END-PIECE REPRIMSA R16	TOPE CONICO REPRIMSA R-16 D30	ARRET CONIQUE REPRIMSA R16 D30
10	149609	CLAMP 25-40	ABRAZADERA 25- 40 *	BRIDE 25-40
12	144881	INOX HEX SCREW DIN933 M 6X16	TOR.EX.DIN933INOX A2-70 M 6X16	VIS HEX INOX DIN933 M 6X16
13	149310	INOX.A2 WASHER DIN125 6,4	ARAN. DIN125 INOX A2 6,4	RONDELLE INOX.A2 DIN125 6,4
14	149971	INOX. HEX. NUT DIN 934 M-6	TUER.EX.DIN934 INOX A2-70 M 6	ECROU HEX. INOX. DIN 934 M-6