

Mod.	From serial no. A partir máq. nº
HS-6032	2.450.017
EH080	2.460.005

Parts Handbook for Washers
Manual de recambios para lavadoras
Notice Vues Eclatées pour laveuses

HS-6032
EH080

GIRBAU, S.A.

Crta de Manlleu, km. 1
08500 VIC (Barcelona) • SPAIN
Tel. 34 93 8861100
Fax 34 93 8860785
girbau@girbau.es
www.girbau.com

USA, CANADA:

CONTINENTAL GIRBAU Inc.

2500 State Road 44
WI 54904 Oshkosh • USA
Tel. 1(920) 231-8222
Fax 1(920) 231-4666
info@cont-girbau.com
www.cont-girbau.com

Parts Handbook
Manual de recambios
Vues Eclatées

HS-6032
EH080

NOTES TO USE PARTS LIST

Sheets no. 1, 2, 3, 4, 5, 6, 7, 8, 25:

Are common for all versions.

Sheets no. 9, 17, 19:
Coin Control

Sheets no. 10, 18, 20:
Inteli Control

Sheet no. 11:
Coin Control with high temperature valve

Sheet no. 12:
Inteli Control with high temperature valve

Sheet no. 13:
Inteli Control with third water inlet

Sheet no. 14:
Inteli Control with third water inlet & high temperature valve

Sheet no. 15:
EH080 Coin Control

Sheet no. 16:
EH080 Coin Control with high temperature valve

Sheet no. 21:
One drain

Sheet no. 22:
Double drain

Sheet no. 23:
Electric heating

Sheet no. 24:
Steam heating

ACLARACIONES PARA EL USO DEL MANUAL DE RECAMBIOS

Hojas nº 1, 2, 3, 4, 5, 6, 7, 8, 25:

Son comunes a todas las variantes.

Hojas nº 9, 17, 19:
Coin Control

Hojas nº 10, 18, 20:
Inteli Control

Hoja nº 11:
Coin Control con válvula alta temperatura

Hoja nº 12:
Inteli Control con válvula alta temperatura

Hoja nº 13:
Inteli Control con tercera entrada agua

Hoja nº 14:
Inteli Control con tercera entrada agua y válvula alta temperatura

Hoja nº 15:
EH080 Coin Control

Hoja nº 16:
EH080 Coin Control con válvula alta temperatura

Hoja nº 21:
Un desagüe

Hoja nº 22:
Doble desagüe

Hoja nº 23:
Calefacción eléctrica

Hoja nº 24:
Calefacción a vapor

NOTES UTILISATION VUES ECLATEES

Feuilles no.1, 2, 3, 4, 5, 6, 7, 8, 25:

Sont communes à toutes les versions.

Feuilles no. 9, 17, 19:
Coin Control

Feuilles no. 10, 18, 20:
Inteli Control

Feuille no. 11:
Control et Coin Control avec vanne haute température

Feuille no. 12:
Inteli Control avec vanne haute température

Feuille no. 13:
Inteli Control avec troisieme entree eau

Feuille no. 14:
Inteli Control avec troisieme entree eau et vanne haute température

Feuille no. 15:
EH080 Coin Control

Feuille no. 16:
EH080 Coin Control avec vanne haute température

Feuille no. 21:
Un vidange

Feuille no. 22:
Double vidange

Feuille no. 23:
Chauffage électrique

Feuille no. 24:
Chauffage à vapeur

VERY IMPORTANT:

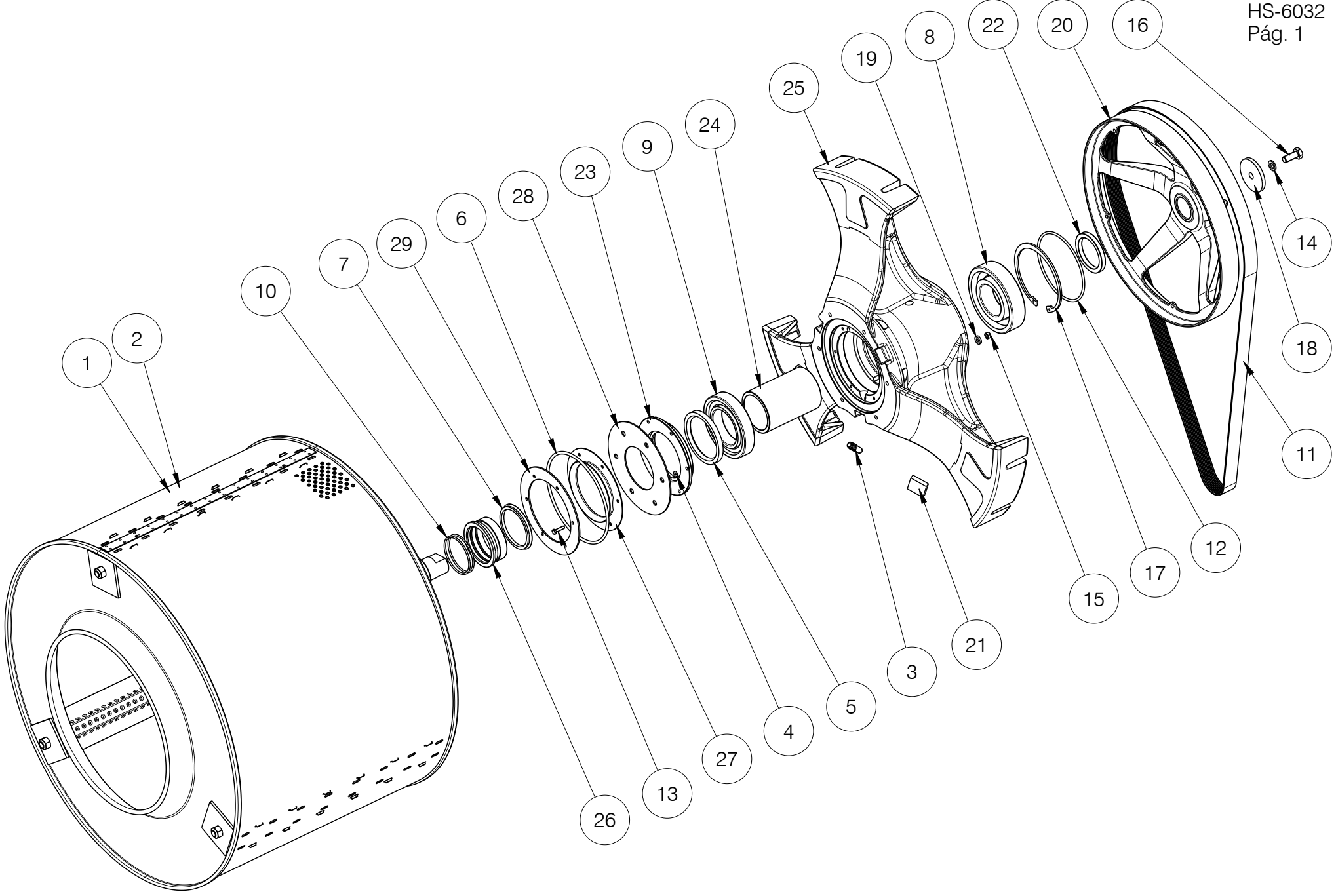
Before ordering parts be sure they have not been modified. Check it on modification sheet, after the corresponding sheet.

MUY IMPORTANTE:

Al pedir una pieza cerciorarse antes de que la misma no ha sido modificada. Si lo hubiese sido, estaría situada como hoja de modificaciones, detrás de la hoja correspondiente.

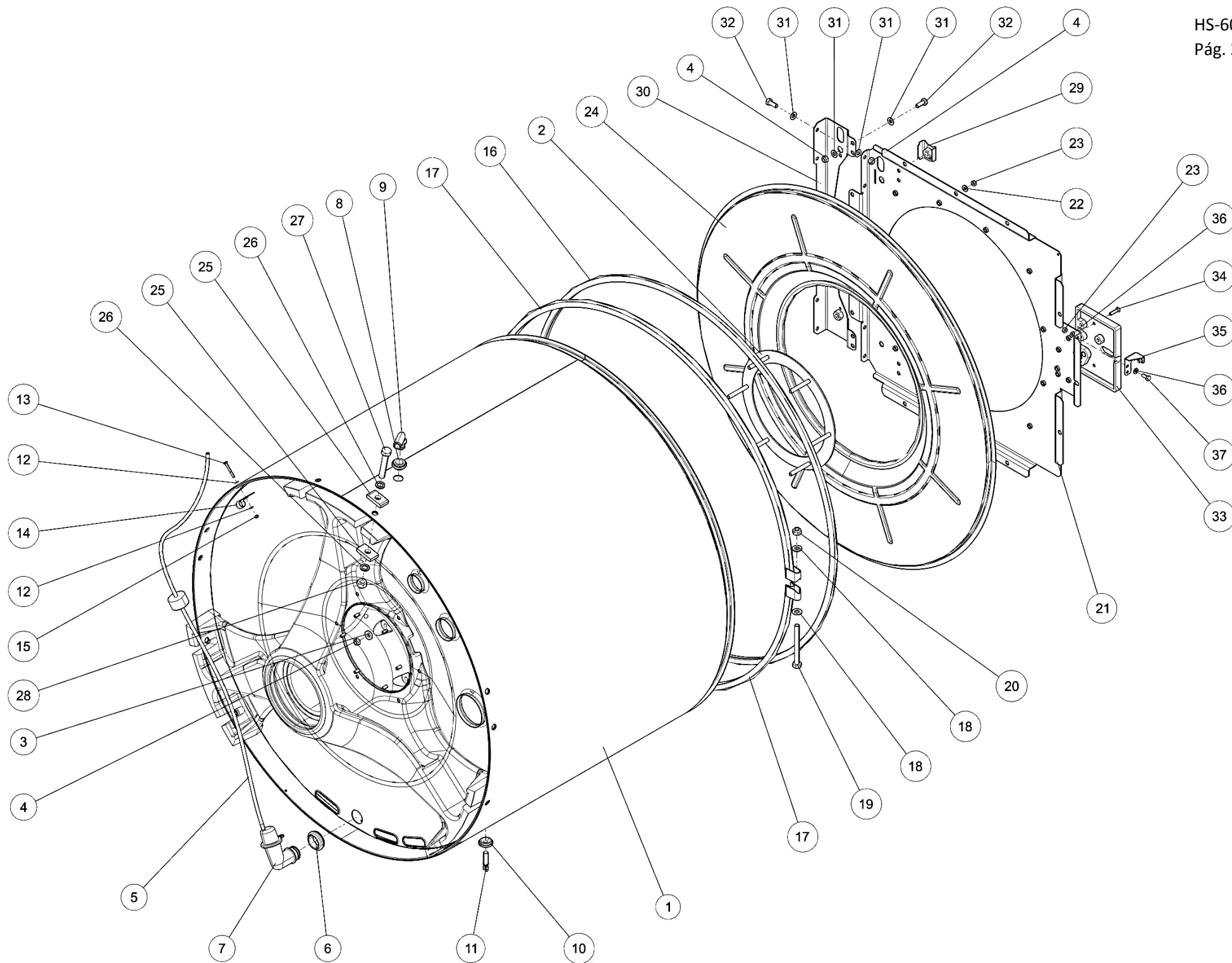
TRES IMPORTANT:

Avant de commander une pièce, s'assurer qu'elle n'a pas été modifiée. Le vérifier sur feuille de modifications, derrière la feuille correspondante.



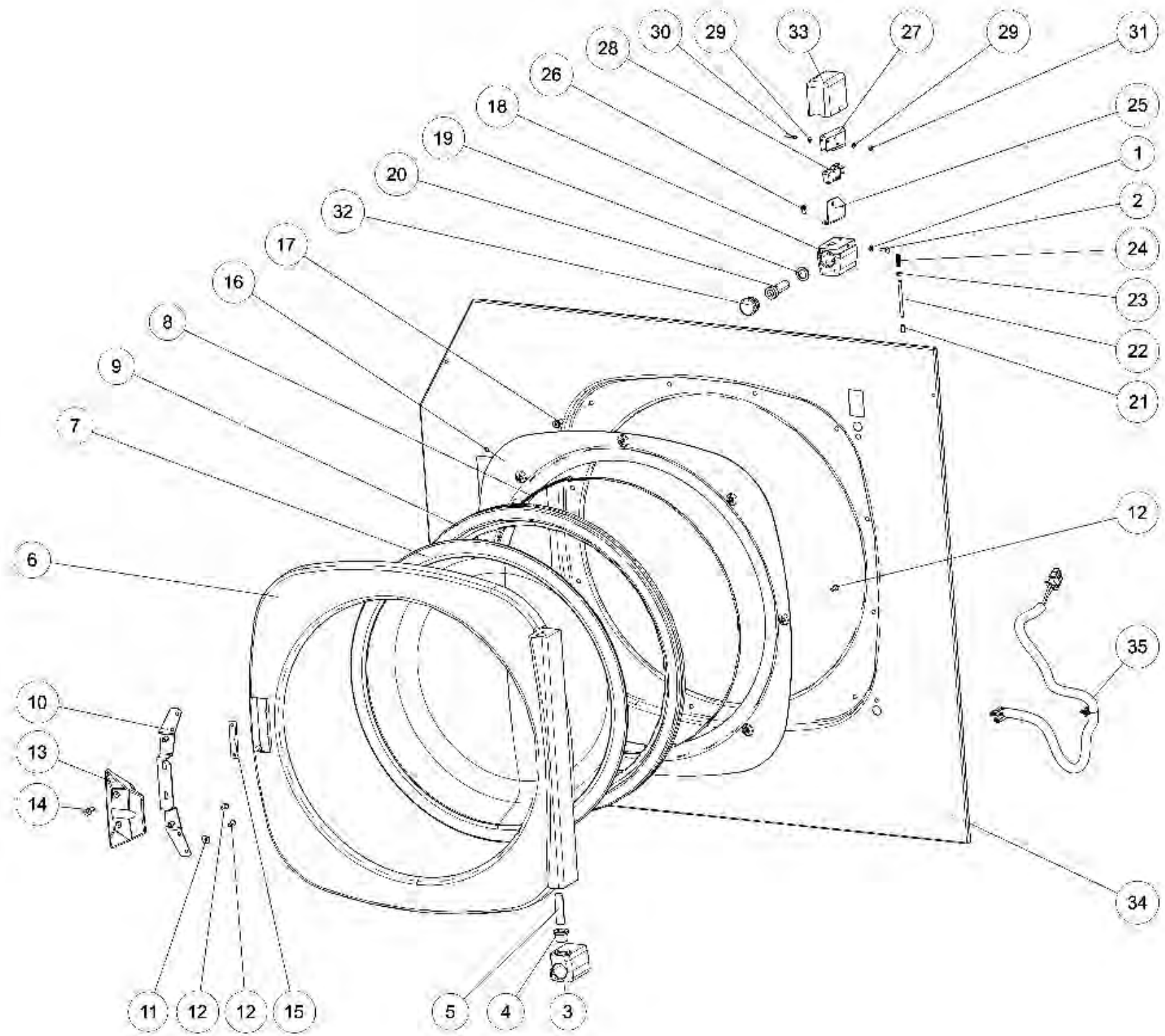
Nº	REF	DENOMINATION	DENOMINACIÓN	DENOMINATION
1	10015428	WHOLE BASKET (FOR PAINTED BASKET PLATE)	TAMBOR (PARA PLATO TAMBOR PINTADO)	TAMBOUR (POUR PLAQUE PEINTE TAMBOUR)
2	10108918	WHOLE BASKET (FOR INOX BASKET PLATE)	TAMBOR (PARA PLATO TAMBOR INOX)	TAMBOUR (POUR PLAQUE INOX TAMBOUR)
3	193904	HOSE ELBOW 3/8" RE. 46602	CODO MANGUERA 3/8" REF.46602	COUDE TUYAU 3/8" REF. 46602
4	181321	TORIC GASKET 6X12X3	JUNTA TORICA 6X12X3	JOINT TORIQUE 6X12X3
5	583930	SEAL 100X125X12 BA NBR70SH	RETEN 100X125X12 BA NBR70SH	RESERVE 100X125X12 BA NBR70SH
6	591065	TORIC GASKET 210X222X6 NBR70SH	JUNTA TORICA 210X222X6 NBR70SH	JOINT TORIQUE 210X222X6 NBR70S
7	591354	RING V-RING V-100A VITON	ANILLO V-RING V-100A VITON	BAGUE V-RING V-100A VUTON
8	10016210	BALL BEARING 6315-2Z	RODAMIENTO RIGIDO BOLAS 6315-2Z	ROULEMENT A BILLES 6315-2Z
9	10016368	BEARING NU 217 ECP	RODAMIENTO NU 217 ECP	ROULEMENT NU 217 ECP
10	10062149	O-RING OR NBR70 ø85xø3,5	JUNTA TORICA OR NBR70 ø85xø3,5	JOINT TORIQUE OR NBR70 ø85xø3,5
11	10065571	RIBBED BELT 10 PK 2337 Lb	CORREA ESTRIADA 10 PK 2337 Lb	COURROIE STRIE 10 PK 2337 Lb
12	10067494	O-RING OR NBR70 ø158xø5	JUNTA TORICA OR NBR70 ø158xø5	JOINT TORIQUE OR NBR70 ø158xø5
13	144915	INOX HEX SCREW DIN933 M 6X25	TOR.EX.DIN933INOX A2-70 M 6X25	VIS HEX INOX DIN933 M 6X25
14	149831	PAV A14 DIN127 GROWER WASHER	ARAN.GROWER A14 DIN127 PAVON.	RONDELLE GROWER A14 DIN127 PAV
15	164285	SELF-LOCKING NUT DIN985-8 B.TRI.M8	TUER.AUTOBL.DIN985-8 B.TRI.M8	ECROU AUTOBLOCANT DIN985-8 B.TRI.M8
16	186312	HEX SCREW 8G DIN933 M14X35	TOR.EX.DIN933-8.8 B.TRI.M14X35	VIS HEX 8G DIN933 M14X35
17	316539	FLEXIBLE RING I-160 DIN472	ANILLO ELASTICO I-160 DIN 472	BAGUE ELASTIQUE I-160 DIN472
18	212589	WASHER 80X15X8	ARANDELA 80X15X8 TRIVALEN.	RONDELLE 80X15X8
19	258822	WASHER 19X8.5X4	ARANDELA 19X8.5X4 TRIVALEN.	RONDELLE 19X8.5X4
20	342543	BASKET PULLEY	POLEA TAMBOR	POULIE TAMBOUR
21	431205	PRESSOSTAT HOSE PROTECTION	PROTECCION TUBO PRESOSTATO	PROTECTION TUBE PRESSOSTAT
22	10001774	DRUM PULLEY SEPARATOR	SEPARADOR POLEA TAMBOR	SEPARATEUR POULIE TAMBOUR
23	10016178	SEAL COVER	TAPA PORTA-RETEN	COUVERCLE JOINT
24	10016301	BEARING END-PIECE	TOPE COJINETES	ARRET ROULEMENTS
25	10044667	BEARING BOX	ESTRELLA CAJA COJINETES	BOITE ROULEMENTS
26	10062206	SEAL RING	ANILLO RETENES	BAGUE RESERVES
27	585877	V-RING PROTECTION	PROTECCION V-RING	PROTECTION V-RING

N°	REF	DENOMINATION	DENOMINACIÓN	DENOMINATION
28	588699	V.RING PLATE	PLATINA V-RING	PLATINE V-RING
29	10267433	V-RING PROTECTION	PROTECTION V-RING	PROTECTION V-RING



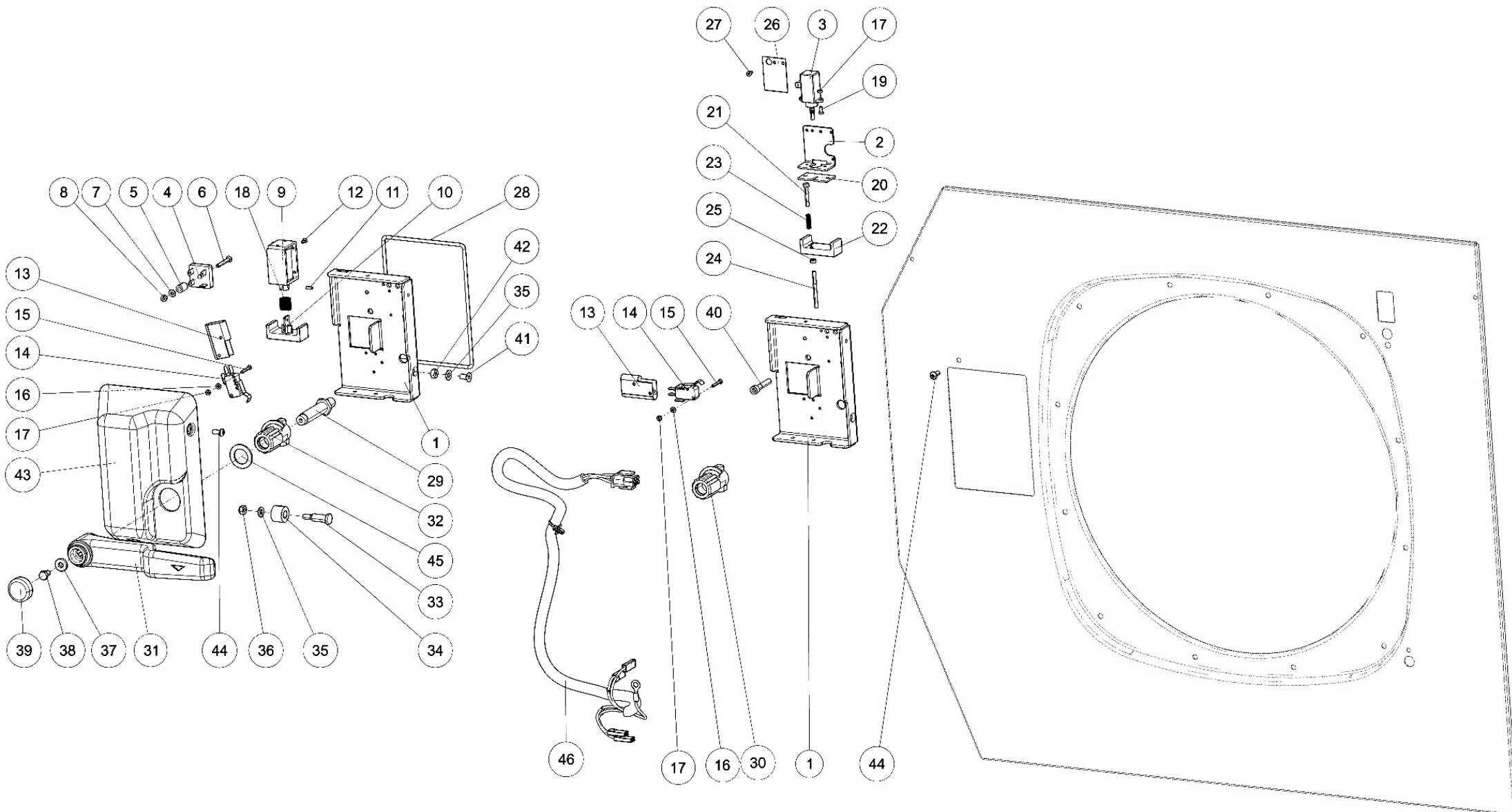
Nº	REF	DENOMINATION	DENOMINACIÓN	DENOMINATION
1	10704047	OUTER DRUM	CONJUNTO ENVOLVENTE	CUVE
2	586867	OUTER DRUM PLATE SET	CONJUNTO PLATINA ENVOLVENTE	ENSEMBLE PLATINE CUVE
3	258822	WASHER 19X8.5X4	ARANDELA 19X8.5X4 TRIVALEN.	RONDELLE 19X8.5X4
4	164285	SELF-LOCKING NUT DIN985-8 B.TRI.M8	TUER.AUTOBL.DIN985-8 B.TRI.M8	ECROU AUTOBLOCANT DIN985-8 B.TRI.M8
5	427021	PRESSURE TRANSMITTER HOSE	TUBO TRANSMISOR PRESION	TUYAU PRESSOSTAT
6	320036	PRESSURE T.BODY SHEATH-LOGDING	PASAMUROS CUERPO PRESOSTATO	LOGEMENT CORPS PRESSOSTAT
7	320382	PRESSURE TRANSMITT INTAKE BODY	CUERPO TOMA PRESOSTATO	CORPS PRISE PRESSOSTAT
8	338863	VAPOR OUTLET SHEATH-LOGDING	PASAMUROS DESVAPORIZADOR	LOGEMENT SORTIE CONDENSATS
9	338871	VAPOR OUTLET RACCORD	RACOR DESVAPORIZADOR	RACCORD SORTIE CONDENSATS
10	256149	SENSOR SHEATH LODGING	PASAMUROS SENSOR	LOGEMENT SENSEUR
11	193862	NTC RESISTANCE	RESISTENCIA NTC	RESISTANCE NTC
12	149476	BICR.WASHER B DIN125-ST 4,3	ARAN.B DIN125-ST B.TRI. 4,3	RONDELLE B DIN125-ST BICR.4,3
13	184184	BIC HEX SCREW DIN933-8.8 M4X20	TOR.EX.DIN933-4.8 B.TRI.M 4X20	VIS HEX DIN933-8.8 BICR.M 4X20
14	140418	CLAMP UNEX REF 1201	BRIDA UNEX 1201	BRIDE UNEX REF 1201
15	132043	SELF-LOCKING NUT DIN985-8 B.TRI.M 4	TUER.AUTOBL.DIN985-8 B.TRI.M 4	ECROU AUTOBLOCANT DIN985-8 B.TRI.M 4
16	10058071	OUTER DRUM FRONT GASKET	JUNTA FRONTAL ENVOLVENTE	JOINT FRONTAL CUVE
17	10058154	OUTER DRUM FIXING SEMI-RING	SEMI-ARO FIJACION ENVOLVENTE	DEMI-BAGUE FIXATION CUVE
18	149500	BICR.WASHER B DIN125-ST 10,5	ARAN.B DIN125-ST B.TRI.10,5	RONDELLE B DIN125-ST BICR.10,5
19	146530	BIC HEX.SCREW DIN933 M10X70	TOR.EX.DIN933-8.8 B.TRI.M10X70	VIS HEX.DIN933-8.8 BICR.M10X70
20	150649	SELF-LOCKING NUT DIN985-8 B.TRI.M10	TUER.AUTOB.DIN985-8 B.TRI.M10	ECROU AUTOBLOCANT DIN985-8 B.TRI.M10
21	10007060	DOOR SUPPORT ASSEMBLY	CONJUNTO SOPORTE PUERTA	ENSEMBLE SUPPORT PORTE
22	432872	WASHER 14X6.4X2	ARANDELA 14X6.4X2 INOX	RONDELLE 14X6.4X2
23	176834	SELF-LOCKING NUT DIN985-8 B.TRI.M6	TUER.AUTOBL.DIN985-8 B.TRI.M6	ECROU AUTOBLOCANT DIN985-8 B.TRI.M6
24	10016012	OUTER DRUM FRONT PANEL	FRONTAL ENVOLVENTE	PANNEAU FRONTAL CUVE
25	592709	STAR FIX. HANDRAIL	PASAMANO FIJ. ESTRELLA	PASSEMAIN FIX. STAR
26	342576	NORD-LOCK WASHER NL12 D.PROT.*	ARAN.NORD-LOCK NL12 D.PROT.*	RONDELLE NORD-LOCK NL12 D.PROT.*
27	182204	HEX SCREW DIN 931 8,8 M12x70 TRIVALENT	TORNILLO HEXAGONAL DIN 931 8,8 M12x70 TR	VIS HEXAGONALE DIN 931 8,8 M12x70 TRIVAL
28	150656	SELF-LOCKING NUT DIN985-8 B.TRI.M12	TUER.AUTOB.DIN985-8 B.TRI.M12	ECROU AUTOBLOCANT DIN985-8 B.TRI.M12

N°	REF	DENOMINATION	DENOMINACIÓN	DENOMINATION
29	10005510	HINGE FLOATING SUPPORT ASSEMBLY	CONJUNTO SOPORTE FLOTANTE BISAGRA	ENSEMBLE SUPPORT FLOTTANT CHARNIÈRE
30	10007318	DOOR HINGE SUPPORT ASSEMBLY	CONJUNTO SOPORTE BISAGRA PUERTA	ENSEMBLE SUPPORT CHARNIÈRE PORTE
31	149518	BICR.WASHER B DIN125-ST 8,4	ARAN.B DIN125-ST B.TRI. 8,4	RONDELLE.B DIN125-ST BICR.8,4
32	146399	BICR HEX SCREW DIN933-8 M8X20	TOR.EX.DIN933-8.8 B.TRI.M 8X20	VIS HEX DIN933-8.8 BICR.M8X20
33	603464	LOCKING BASE	BASE CIERRE	BASE FERMETURE
34	119057	BRASS LENS-HEAD S.DIN963 M6X25	TOR.AVELL.LATON DIN963 M 6X25	VIS T/FRAIS.LAIT.DIN963 M 6X25
35	10047942	SECURING ANGLE BRACKET	ÁNGULO FIJACIÓN	ANGLE FIXATION
36	149526	BICR.WASHER B DIN125-ST 6,4	ARAN.B DIN125-ST B.TRI. 6,4	RONDELLE B DIN125-ST BICR.6,4
37	146233	BICR.HEX SCREW DIN933-8 M6X15	TOR.EX.DIN933-8.8 B.TRI.M 6X15	VIS HEX DIN933-8.8 BICR.M6X15



Nº	REF	DENOMINATION	DENOMINACIÓN	DENOMINATION
1	149328	INOX A2 WASHER DIN 125 4,3	ARAN. DIN125 INOX A2 4,3	RONDELLE INOX A2 DIN 125 4,3
2	144832	INOX.HEX.SCREW DIN 933 M-4X10	TOR.EX.DIN933INOX A2-70 M 4X10	VIS HEX INOX. DIN 933 M-4X10
3	10227189	HINGE	BISAGRA	CHARNIERE
4	128827	SELFOIL SLEEVE B11B12-17-15/22	COJ. SELFOIL B11B12-17-15/22-3	FRETTE SELFOIL B11B12-17-15/22
5	261156	DOOR BOLT	BULON ESCOTILLA	BOULON HUBLOT
6	432039	DOOR BODY	CUERPO ESCOTILLA	CORPS HUBLOT
7	333328	SPYHOLE	MIRILLA	VITRE
8	342907	WASHER D415X1,5 SPRING	ABRAZ.ALAMBRE D415X1,5 MUELLE	RONDELLE D415X1,5 RESSORT
9	563346	DOOR GASKET 65SHA	JUNTA ESCOTILLA 65SHA	JOINT HUBLOT 65SHA
	359828	DOOR GASKET 70SHA (SPARE PARTS ONLY)	JUNTA ESCOTILLA 70SHA (SOLO RECAMBIOS)	JOINT HUBLOT 70SHA (SEULEMENT PIECES DETACHEES)
10	594374	BRACKET DOOR LOCK SET	SOPORTE CIERRE PUERTA	ENSEMBLE SUPPORT FERMATURE HUBLOT
11	219758	INOX WASHER 12X4X1,5	ARANDELA 12X4X1.5 INOX	RONDELLE 12X4X1,5 INOX
12	326116	SCREW 410TT85T 4X10 INOX	TORNILLO 410TT85T 4X10 INOX (ESPECIAL)	VIS 410TT85T 4X10 INOX
13	591412	SAFETY LOCK PIECE	PIEZA CIERRE SEGURIDAD	PIECE FERMETURE SECURITE
14	144279	ALLEN SCREW DIN 912 M-5X15	TOR.ALDDIN912-8.8 B.TRI.M 5X15	VIS ALLEN DIN 912 M-5X15
15	601641	HANDRAIL LOCK DOOR	PASAMANO CIERRE PUERTA	PASSEMAIN FERMETURE PORTE
16	591487	SPYHOLE HOLDER	PORTA-MIRILLA	PORTE-VITRE
17	333294	SCREW T25 AR.18ESTR.M 6X15 INOX	TORNILLO ALOM.T25 M 6X15 INOX(ESPECIA	VIS T25 AR.18ESTR.M 6X15 INOX
18	10227163	HINGE	BISAGRA	CHARNIERE
19	342576	NORD-LOCK WASHER NL12 D.PROT.*	ARAN.NORD-LOCK NL12 D.PROT.*	RONDELLE NORD-LOCK NL12 D.PROT.*
20	686320	ALLEN SCREW DIN 7984 8,8 M12x40 TRIVALEN	TORNILLO ALLEN DIN 7984 8,8 M12x40 TRIVA	VIS ALLEN DIN 7984 8,8 M12x40 TRIVALENT
21	591396	SLEEVE PERMAGL.D5,5XD4X10	CASQUILLO PERMAGL.D5,5XD4X10	FRETTE PERMAGL.D5,5XD4X10
22	591404	MICROSWITCH DRIVE BOLT	PERNO ACCIONADOR MICRORRUPTOR	GOUJON ACTIONNEMENT MICRORRUP.
23	149922	INOX HEX. NUT DIN 934 M-4	TUER.EX.DIN934 INOX A2-70 M 4	ECROU HEX. INOX DIN 934 M-4
24	198069	SPRING	MUELLE COMPENSADOR	RESSORT
25	591172	MICROSWITCH BRACKET	SOPORTE MICRORRUPTOR	SUPPORT MICRORRUPTEUR
26	344085	SCREW 48TT85T 4X8 INOX	TORNILLO 48TT85T 4X8 INOX (ESPECIAL)	VIS 48TT85T 4X8 INOX
27	281113	MICROSWITCH ISOLATION	AISLANTE MICRORRUPTOR	ISOLANT MICRORRUPTEUR

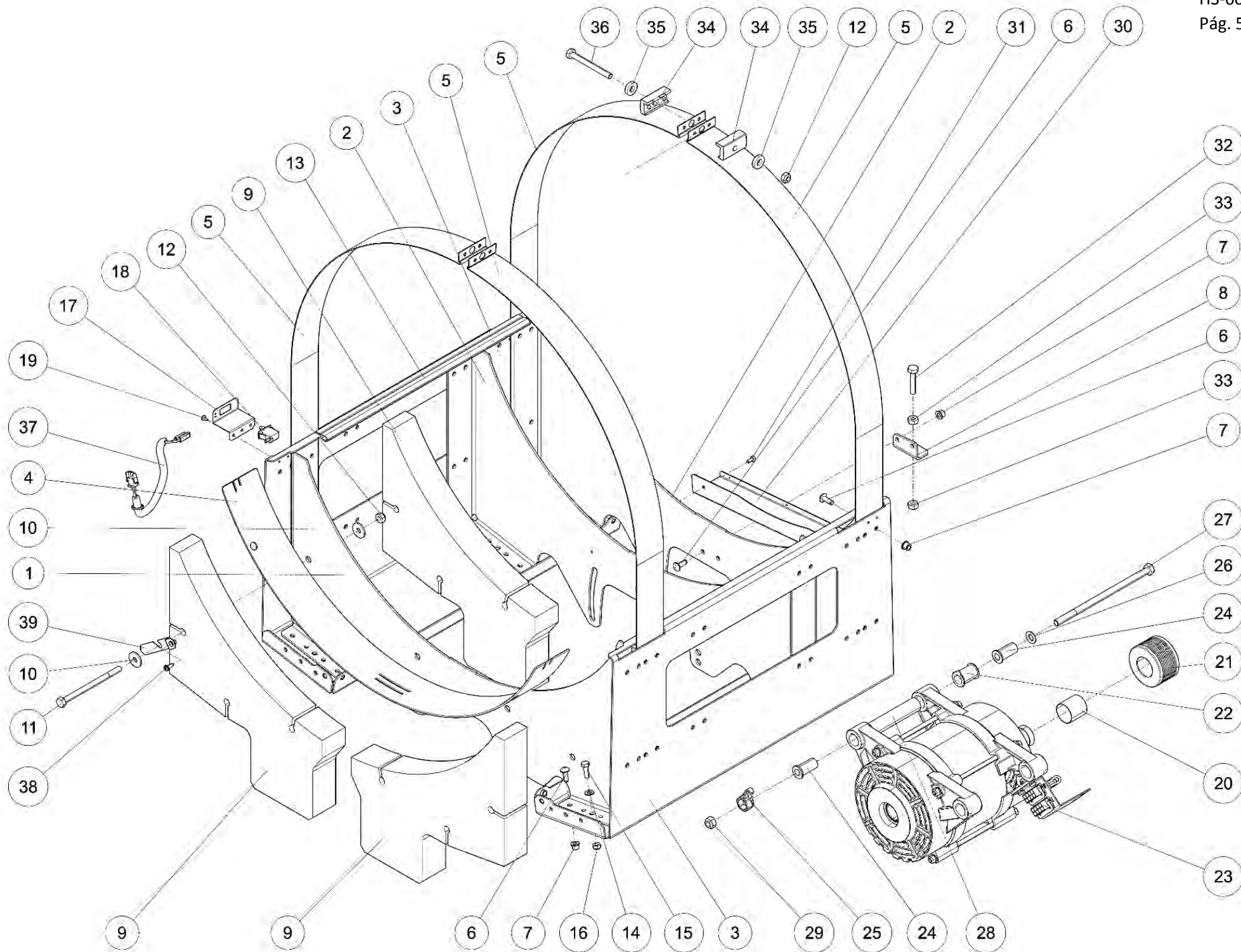
N°	REF	DENOMINATION	DENOMINACIÓN	DENOMINATION
28	197046	MINISWITCH 83161.344 I W3	MINIRRUPTOR 83161.344 I W3	MINIRRUPTEUR 83161.344 I W3
29	149484	WASHER DIN 125B M3 ST TRIVALENT	ARANDELA DIN 125B M3 ST TRIVALENTE	RONDELLE DIN 125B M3 ST TRIVALENT
30	146043	BIC CYL SCREW DIN84-4,8 M3X16	TOR.CIL.DIN84-4.8 B.TRI.M 3X16	VIS CYL DIN84-4,8 BICR.M3X16
31	149906	INOX. HEX. NUT DIN 934 M-3	TUER.EX.DIN934 INOX A2-70 M 3	ECROU HEX. INOX DIN934 M-3
32	10166296	PLUG GPN320GL25	TAPON GPN320GL25	BOUCHON GPN320GL25
33	10019552	PROTECTION COVER	TAPA PROTECCIÓN	PANNEAU PROTECTION
34	10029916	FRONT PANEL COVER	TAPA FRONTAL	PANNEAU FRONTAL
35	602771	INST. ELEC. CONNECTOR-HINGE	INST. ELEC. CONECTORA-BISAGRA	INST. ELEC. CONNECTEUR-CHARNIERE



Nº	REF	DENOMINATION	DENOMINACIÓN	DENOMINATION
1	606236	SAFETY LOCK BRACKET	SOPORTE CIERRE SEGURIDAD	SUPPORT FERMETURE DE SECURITE
2	10031359	THERMO-ACTUATOR BRACKET (FOR THERMO-ACTUATOR LOCK) (NORMALLY OPEN)	SOPORTE TERMOACTUADOR (PARA CIERRE TERMOACTUADOR) (NORMALMENTE ABIERTO)	SUPPORT THERMO-ACTIONNEMENT (POUR FERMETURE THERMO-ACTION) (NORMALEMENT OUVERT)
3	196774	THERMO-ACTUATOR 100331 15 (FOR THERMO-ACTUATOR LOCK) (NORMALLY OPEN)	TERMOACTUADOR 100331.15 NTA 6* (PARA CIERRE TERMOACTUADOR) (NORMALMENTE ABIERTO)	THERMO-ACTIONNEMENT 100331 15 (POUR FERMETURE THERMO-ACTION) (NORMALEMENT OUVERT)
4	175224	RECTIFIER BRIDGE (FOR COIL LOCK) (NORMALLY CLOSED)	PUENTE RECTIFICADOR * (PARA CIERRE BOBINA) (NORMALMENTE CERRADO)	PONT RECTIFIEUR (POUR FERMETURE BOBINE) (NORMALEMENT FERME)
5	300467	CYLINDER SEPARATOR SS10-4 CPVC (FOR COIL LOCK) (NORMALLY CLOSED)	SEPARADOR CILINDR.SS10-4 CPVC (PARA CIERRE BOBINA) (NORMALMENTE CERRADO)	SEPARATEUR CYLINDR.SS10-4 CPVC (POUR FERMETURE BOBINE) (NORMALEMENT FERME)
6	199240	BICR.SCREW DIN963-4.8 M4X30 (FOR COIL LOCK) (NORMALLY CLOSED)	TOR.AV.DIN963-4.8 B.TRI M 4X30 (PARA CIERRE BOBINA) (NORMALMENTE CERRADO)	VIS T/FRAIS.DIN963-4 BIC.M4X30 (POUR FERMETURE BOBINE) (NORMALEMENT FERME)
7	149476	BICR.WASHER B DIN125-ST 4,3 (FOR COIL LOCK) (NORMALLY CLOSED)	ARAN.B DIN125-ST B.TRI. 4,3 (PARA CIERRE BOBINA) (NORMALMENTE CERRADO)	RONDELLE B DIN125-ST BICR.4,3 (POUR FERMETURE BOBINE) (NORMALEMENT FERME)
8	150185	BICR.HEX.NUT DIN934-8 M4 (FOR COIL LOCK) (NORMALLY CLOSED)	TUER.EX.DIN934-8 B.TRI.M 4 (PARA CIERRE BOBINA) (NORMALMENTE CERRADO)	ECROU HEX.DIN934-8 BICR.M4 (POUR FERMETURE BOBINE) (NORMALEMENT FERME)
9	283697	SAFETY LOCK COIL (FOR COIL LOCK) (NORMALLY CLOSED)	BOBINA CIERRE SEGURIDAD (PARA CIERRE BOBINA) (NORMALMENTE CERRADO)	BOBINE FERMETURE SECURITE (POUR FERMETURE BOBINE) (NORMALEMENT FERME)
10	276402	SLIDING BLOCKER (FOR COIL LOCK) (NORMALLY CLOSED)	BLOQUEADOR DESLIZANTE (PARA CIERRE BOBINA) (NORMALMENTE CERRADO)	BLOQUEUR COULISSANT (POUR FERMETURE BOBINE) (NORMALEMENT FERME)
11	150698	FLEXIBLE PIN DIN1481 D3X10 (FOR COIL LOCK) (NORMALLY CLOSED)	PASADOR ELASTICO DIN1481 D3X10 (PARA CIERRE BOBINA) (NORMALMENTE CERRADO)	GOUJON ELASTIQUE DIN1481 D3X10 (POUR FERMETURE BOBINE) (NORMALEMENT FERME)
12	147561	SCREW DIN963-4.8 M 3X 7	TOR.AV.DIN963-4.8 B.TRI.M 3X 7	VIS DIN963-4.8 BICR M 3X 7
13	281113	MICROSWITCH ISOLATION	AISLANTE MICRORRUPTOR	ISOLANT MICRORRUPTEUR
14	279760	MICROSWITCH	MINIRRUPTOR	MICRORRUPTEUR
15	303131	COUNTERSUNK SCREW DIN 963 4,8 M3x20 TRIV	TORNILLO AVELLANADO DIN 963 4,8 M3x20 TR	VIS FRAISEE DIN 963 4,8 M3x20 TRIVALENT
16	149484	WASHER DIN 125B M3 ST TRIVALENT	ARANDELA DIN 125B M3 ST TRIVALENTE	RONDELLE DIN 125B M3 ST TRIVALENT
17	149906	INOX. HEX. NUT DIN 934 M-3	TUER.EX.DIN934 INOX A2-70 M 3	ECROU HEX. INOX DIN934 M-3

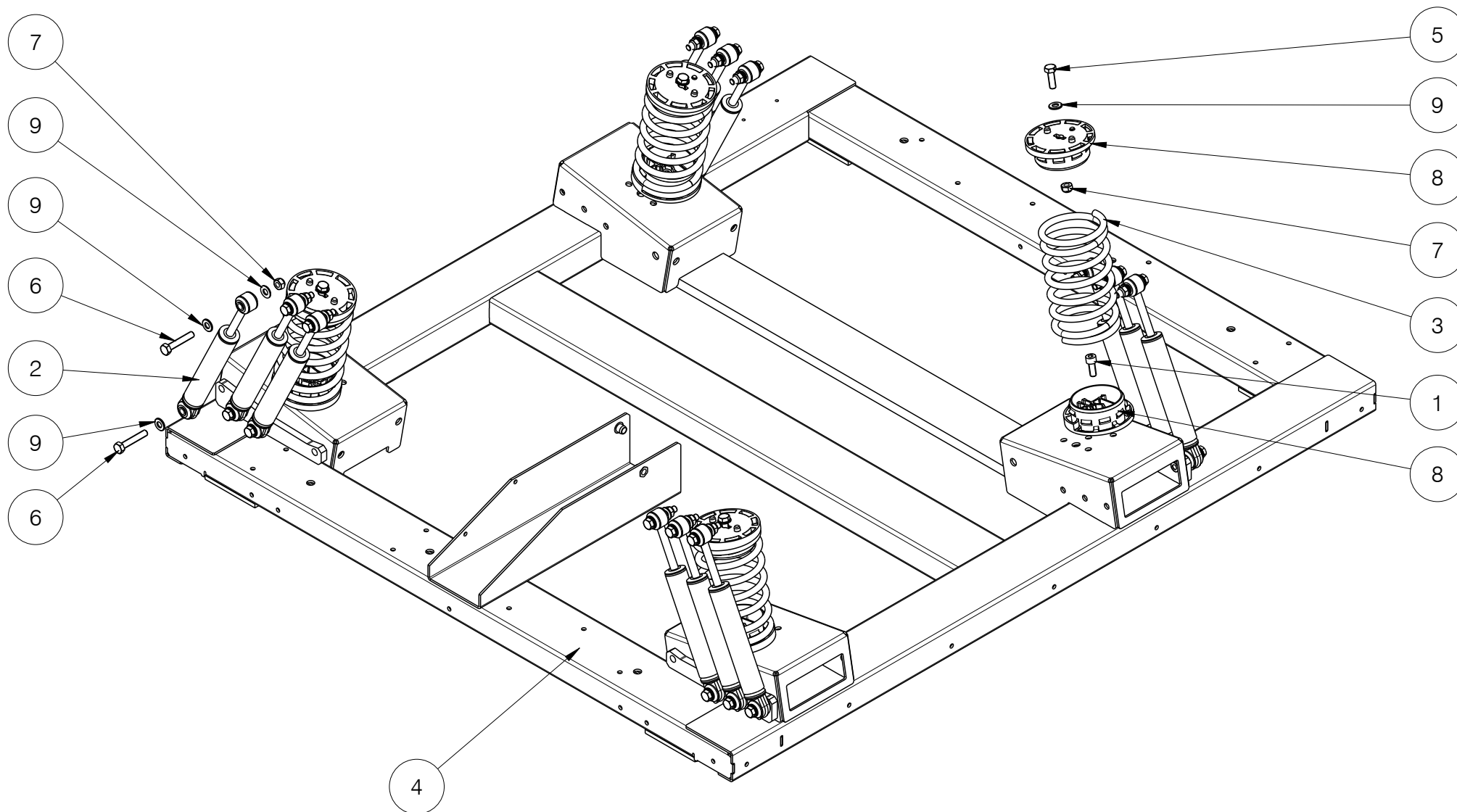
Nº	REF	DENOMINATION	DENOMINACIÓN	DENOMINATION
18	300665	COIL SPRING (FOR COIL LOCK) (NORMALLY CLOSED)	MUELLE BOBINA (PARA CIERRE BOBINA) (NORMALMENTE CERRADO)	RESSORT BOBINE (POUR FERMETURE BOBINE) (NORMALEMENT FERME)
19	146027	BICR CYL SCREW DIN84-4 M 3X 7 (FOR THERMO-ACTUATOR LOCK) (NORMALLY OPEN)	TOR.CIL.DIN84-4.8 B.TRI.M 3X7 (PARA CIERRE TERMOACTUADOR) (NORMALMENTE ABIERTO)	VIS CYL BICR DIN84-4.8 M 3X 7 (POUR FERMETURE THERMO-ACTION) (NORMALEMENT OUVERT)
20	280891	SLIDING BLOCKING PIECE (FOR THERMO-ACTUATOR LOCK) (NORMALLY OPEN)	PIEZA BLOQUEADOR DESLIZANTE (PARA CIERRE TERMOACTUADOR) (NORMALMENTE ABIERTO)	PIECE BLOQUEUR COULISSANT (POUR FERMETURE THERMO-ACTION) (NORMALEMENT OUVERT)
21	278622	SLIDING BLOCKING SCREW (FOR THERMO-ACTUATOR LOCK) (NORMALLY OPEN)	TORNILLO BLOQUEADOR DESLIZANTE (PARA CIERRE TERMOACTUADOR) (NORMALMENTE ABIERTO)	VIS BLOQUEUR COULISSANT (POUR FERMETURE THERMO-ACTION) (NORMALEMENT OUVERT)
22	272575	SLIDING BLOCKER (FOR THERMO-ACTUATOR LOCK) (NORMALLY OPEN)	BLOQUEADOR DESLIZANTE (PARA CIERRE TERMOACTUADOR) (NORMALMENTE ABIERTO)	BLOQUEUR COULISSANT (POUR FERMETURE THERMO-ACTION) (NORMALEMENT OUVERT)
23	198069	SPRING (FOR THERMO-ACTUATOR LOCK) (NORMALLY OPEN)	MUELLE COMPENSADOR (PARA CIERRE TERMOACTUADOR) (NORMALMENTE ABIERTO)	RESSORT (POUR FERMETURE THERMO-ACTION) (NORMALEMENT OUVERT)
24	276501	MICROSWITCH DRIVE (FOR THERMO-ACTUATOR LOCK) (NORMALLY OPEN)	ACCIONADOR MICRORRUPTOR (PARA CIERRE TERMOACTUADOR) (NORMALMENTE ABIERTO)	ACTIONNEMENT MICRORRUPTEUR (POUR FERMETURE THERMO-ACTION) (NORMALEMENT OUVERT)
25	149922	INOX HEX. NUT DIN 934 M-4	TUER.EX.DIN934 INOX A2-70 M 4	ECROU HEX. INOX DIN 934 M-4
26	276535	THERMO-ACTUATOR ISOLATION (FOR THERMO-ACTUATOR LOCK) (NORMALLY OPEN)	AISLANTE TERMOACTUADOR (PARA CIERRE TERMOACTUADOR) (NORMALMENTE ABIERTO)	ISOLANT THERMO-ACTIONNEMENT (POUR FERMETURE THERMO-ACTION) (NORMALEMENT OUVERT)
27	146019	SCREW DIN 912 8.8 M3X5 TRIVALENT (FOR THERMO-ACTUATOR LOCK) (NORMALLY OPEN)	TORLLO DIN 912 8.8 M3X5 TRIVALENTE (PARA CIERRE TERMOACTUADOR) (NORMALMENTE ABIERTO)	VIS DIN 912 8.8 M3X5 TRIVALENT (POUR FERMETURE THERMO-ACTION) (NORMALEMENT OUVERT)
28	10011898	COVER SEAL	JUNTA TAPA	JOINT PANNEAU
29	276485	LOCK SHAFT	EJE CIERRE	AXE FERMETURE
30	283671	LOCK KNOB UNION (FOR THERMO-ACTUATOR LOCK) (NORMALLY OPEN)	UNION EMPUÑADURA CIERRE (PARA CIERRE TERMOACTUADOR) (NORMALMENTE ABIERTO)	UNION POIGNEE FERMETURE (POUR FERMETURE THERMO-ACTION) (NORMALEMENT OUVERT)
31	10256600	KNOB	EMPUÑADURA	POIGNEE
32	283689	LOCK KNOB JOINTING (FOR COIL LOCK) (NORMALLY CLOSED)	UNION EMPUÑADURA CIERRE (PARA CIERRE BOBINA) (NORMALMENTE CERRADO)	UNION POIGNEE FERMETURE (POUR FERMETURE BOBINE) (NORMALEMENT FERME)
33	276477	KNOB BOLT	BULON EMPUÑADURA	BOULON POIGNEE
34	276519	KNOB ROLL	RODILLO EMPUÑADURA	ROULEAU POIGNEE

Nº	REF	DENOMINATION	DENOMINACIÓN	DENOMINATION
35	149526	BICR.WASHER B DIN125-ST 6,4	ARAN.B DIN125-ST B.TRI. 6,4	RONDELLE B DIN125-ST BICR.6,4
36	176834	SELF-LOCKING NUT DIN985-8 B.TRI.M6	TUER.AUTOBL.DIN985-8 B.TRI.M6	ECROU AUTOBLOCANT DIN985-8 B.TRI.M6
37	115733	WASHER 16X7X3	ARANDELA 16X7X3 TRIVALEN.	RONDELLE 16X7X3
38	165621	BIC HEX SCREW DIN933-8,8 M6X10	TOR.EX.DIN933-8.8 B.TRI.M 6X10	VIS HEX DIN933-8,8 BICR M6X10
39	189993	KNOB STOPPER	TAPON EMPUÑADURA	BOUCHON POIGNEE
40	302331	ALLEN SCREW DIN912-8.8 BICR.	TOR.ALLDIN912-8.8 B.TRI.M 6X35	VIS ALLDIN912-8.8 BICR.M6X35
41	10032076	SCREW AV.ALL.INOX DIN7991 M 6x12	TOR.AV.ALL.INOX DIN7991M 6x12	VIS AV.ALL.INOX DIN7991 M 6x12
42	150227	BICR HEX NUT DIN934-8 M6	TUER.EX.DIN934-8 B.TRI.M 6	ECROU HEX DIN934-8 BICR.M6
43	10256626	COMPLETE LOCKING BOX	CAJA CIERRE SEGURIDAD	BOITE FERMATURE COMPLETE
44	552406	SCREW RE.E.I.ISO7380 A2-70 M5X12	TOR.RE.E.I.ISO7380 A2-70 M5X12 TORX.	VIS RE.E.I.ISO7380 A2-70 M5X12
45	216408	GASKET	JUNTA D31XD20X2	JOINT
46	602789	INST. ELEC. LOCK-CONNECTOR	INST. ELEC. CONECTORA-CIERRE	INST. ELEC. FERMER-CONNECTEUR
		WITHOUT ILLUSTRATION	SIN ILUSTRACION	SANS ILLUSTRATION
	431171	JOINT ADJUSTING RING	ARO AJUSTE JUNTA	BAGUE REGLAGE JOINT

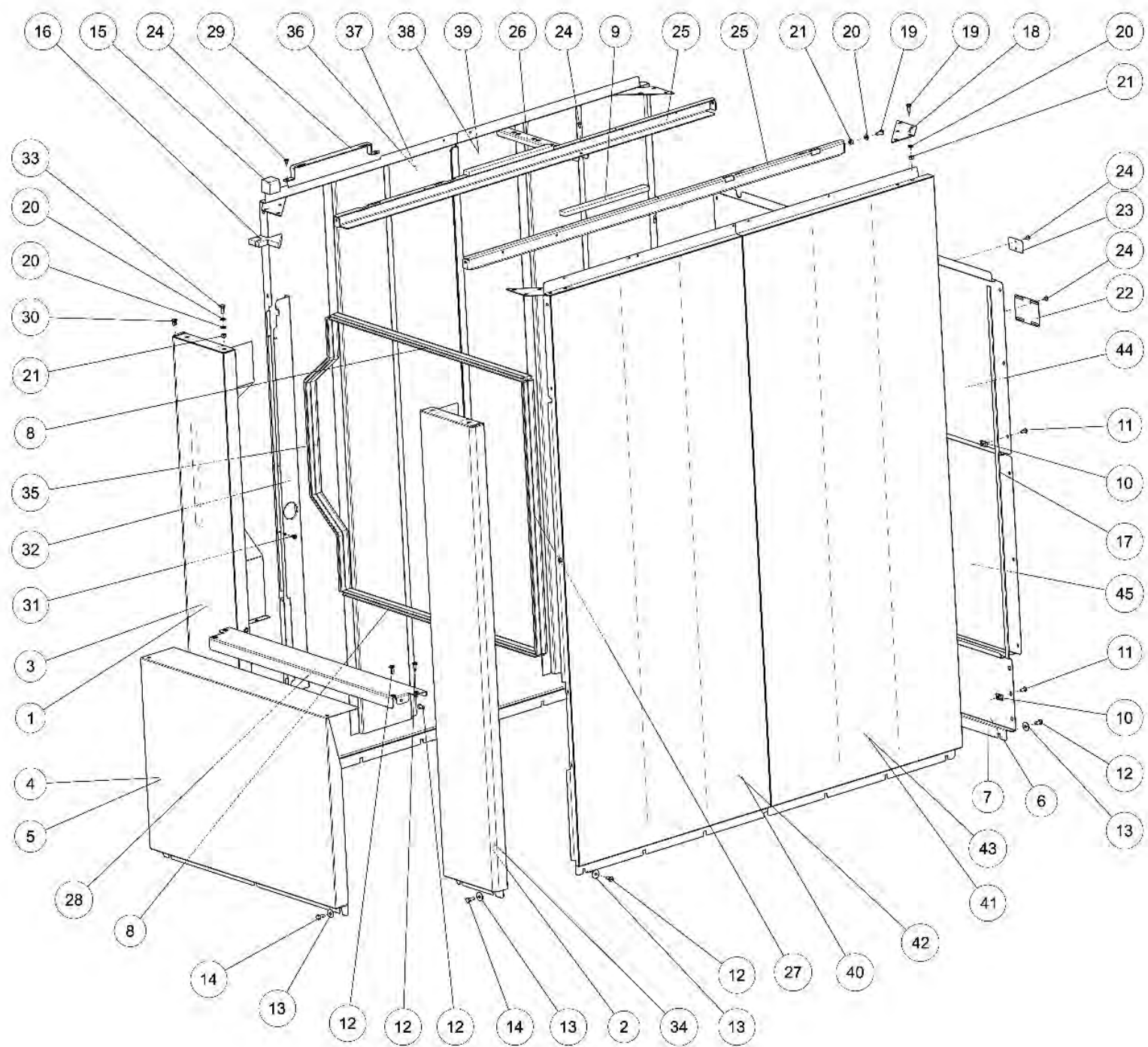


Nº	REF	DENOMINATION	DENOMINACIÓN	DENOMINATION
1	10007383	FRAME PLATE	PLACA CHASIS	TÔLE CHÂSSIS
2	10007193	FRAME PLATE	PLACA CHASIS	TÔLE CHÂSSIS
3	10012797	SIDE FRAME	LATERAL CHASIS	LATÉRAL CHÂSSIS
4	10007581	SUPPORT PROFILE	PERFIL SOPORTE	PROFIL SUPPORT
5	10011070	OUTER DRUM CLAMP	ABRAZADERA ENVOLVENTE	COLLIER ENVELOPPE
6	10059145	STRUCTURAL RIVET BOLT 8	PERNO REMACHE ESTRUCTURAL 8 *	BOULON RIVET STRUCTURELLE 8
7	10059152	STRUCTURAL RIVET COLLAR 8	COLLARÍN REMACHE ESTRUCTURAL 8 *	BAGUE RIVET STRUCTURE 8
8	10018539	BELT TENSIONER	TENSOR CORREA	TENDEUR COURROIE
9	10011161	COUNTERWEIGHT	CONTRAPESO	CONTREPOIDS
10	115428	WASHER 30X10,5X3	ARANDELA 30X10,5X3 TRIVALEN.	RONDELLE 30X10,5X3
11	191759	HEX SCREW 8G DIN931 M10X150	TOR.EX.DIN931-8.8B.TRI.M10X150	VIS HEX 8G DIN931 M10X150
12	150649	SELF-LOCKING NUT DIN985-8 B.TRI.M10	TUER.AUTOB.DIN985-8 B.TRI.M10	ECROU AUTOBLOCANT DIN985-8 B.TRI.M10
13	10424745	RUBBER COMPOUND	GOMA COMPUESTA	CAOUTCHOUC COMPOSE
14	149518	BICR.WASHER B DIN125-ST 8,4	ARAN.B DIN125-ST B.TRI. 8,4	RONDELLE.B DIN125-ST BICR.8,4
15	192849	BIC.HEX SCREW DIN933-8 M-8X25	TOR.EX.DIN933-8.8 B.TRI.M 8X25	VIS HEX.DIN933-8,8 BICR.M-8X25
16	164285	SELF-LOCKING NUT DIN985-8 B.TRI.M8	TUER.AUTOBL.DIN985-8 B.TRI.M8	ECROU AUTOBLOCANT DIN985-8 B.TRI.M8
17	10111607	MICRO-SWITCH SUPPORT	SOPORTE MICRORRUPTOR	SUPPORT MICROINTERRUPTEUR
18	323048	MINISWITCH CHERRY E69-60C	MINIRRUPTOR CHERRY E69-60C	MINIRRUPTEUR CHERRY E69-60C
19	183400	PLATE SCREW ST-4, 20 P.F. C/AL.T25	TORNILLO CHAPA ST-4 (ESPECIAL)*	VIS PLAQUE ST-4, 20 P.F. C/AL.T25
20	321190	STAR TOLERANCE RING	ANILLO TOLER.STAR 0820-040-06	BAGUE TOLERANCE STAR
21	10052272	MOTOR PULLEY MT125-125/4-H	POLEA MOTOR MT125-125/4-H	POULIE MOTEUR MT125-125/4-H
22	432203	MOTOR SILENTBLOCK	SILENTBLOC MOTOR	SILENTBLOCK MOTEUR
23	10035715	MOTOR MT 125-125/4-H	MOTOR MT 125-125/4-H	MOTEUR MT 125-125/4-H
	172072	BEARING 6206-2Z QE6 (OPPOSITE END PULLEY)	RODAMIENTO 6206-2Z (EXTREMO OPUESTO POLEA)	ROULEMENT 6206-2Z QE6 (FINAL OPPOSE POULIE)
	304964	BEARING 6308-2Z QE6 (END PULLEY)	RODAMIENTO 6308-2Z (EXTREMO POLEA)	ROULEMENT 6308-2Z QE6 (FINAL POULIE)
	10147668	MOTOR CONNECTOR	CONECTORA MOTOR	CONNECTEUR MOTEUR
24	423103	MOTOR SLEEVE	CASQUILLO MOTOR	FRETTE MOTEUR

N°	REF	DENOMINATION	DENOMINACIÓN	DENOMINATION
25	338095	MOTOR NUT BRACKET	SOPORTE TUERCA MOTOR	SUPPORT ECROU MOTEUR
26	149419	BICR.WASHER B DIN125-ST 13	ARAN.B DIN125-ST B.TRI.13	RONDELLE B DIN125-ST BICR.13
27	10059525	HEX SCREW DIN 931 8,8 M12x240 TRIVALENT	TORNILLO HEXAGONAL DIN 931 8,8 M12x240 T	VIS HEXAGONALE DIN 931 8,8 M12x240 TRIVA
28	10011963	MOTOR SEPARATOR	SEPARADOR MOTOR	CALE MOTEUR
29	150656	SELF-LOCKING NUT DIN985-8 B.TRI.M12	TUER.AUTOB.DIN985-8 B.TRI.M12	ECROU AUTOBLOCANT DIN985-8 B.TRI.M12
30	10002418	MOTOR PROTECTION	PROTECCION MOTOR	PROTECTION MOTEUR
31	343434	SCREW 512TTAET M5X12	TORNILLO 512TTAET M5X12 (ESPECIAL)	VIS 512TTAET M5X12
32	186528	HEX SCREW DIN 933 8,8 M10x50 TRIVALENT	TORNILLO HEXAGONAL DIN 933 8,8 M10x50 TR	VIS HEXAGONALE DIN 933 8,8 M10x50 TRIVAL
33	150193	BICR HEX NUT DIN 934-8 M10	TUER.EX.DIN934-8 B.TRI.M10	ECROU HEX DIN 934-8 BICR.M10
34	10030401	CLAMP TENSIONER	TENSOR ABRAZADERA	TENDEUR COLLIER
35	278861	WASHER 26X12,5X6	ARANDELA 26X12.5X6 TRIVALEN.	RONDELLE 26X12,5X6
36	146563	BICR HEX SCREW DIN933 M-10X100	TOR.EX.DIN933-88 B.TRI.M10X100	VIS HEX DIN-933-8.8 BI.M10X100
37	10440410	UNBALANCE ELECTRIC INSTALLATION	INSTALACIÓN ELÉCTRICA DESEQUILIBRIO	INSTALLATION ÉLECTRIQUE DESEQUILBRÉ
38	333294	SCREW T25 AR.18ESTR.M 6X15 INOX	TORNILLO ALOM.T25 M 6X15 INOX(ESPECIA	VIS T25 AR.18ESTR.M 6X15 INOX
39	10100840	SECURING DEVICE	FIJACION	FIXATION

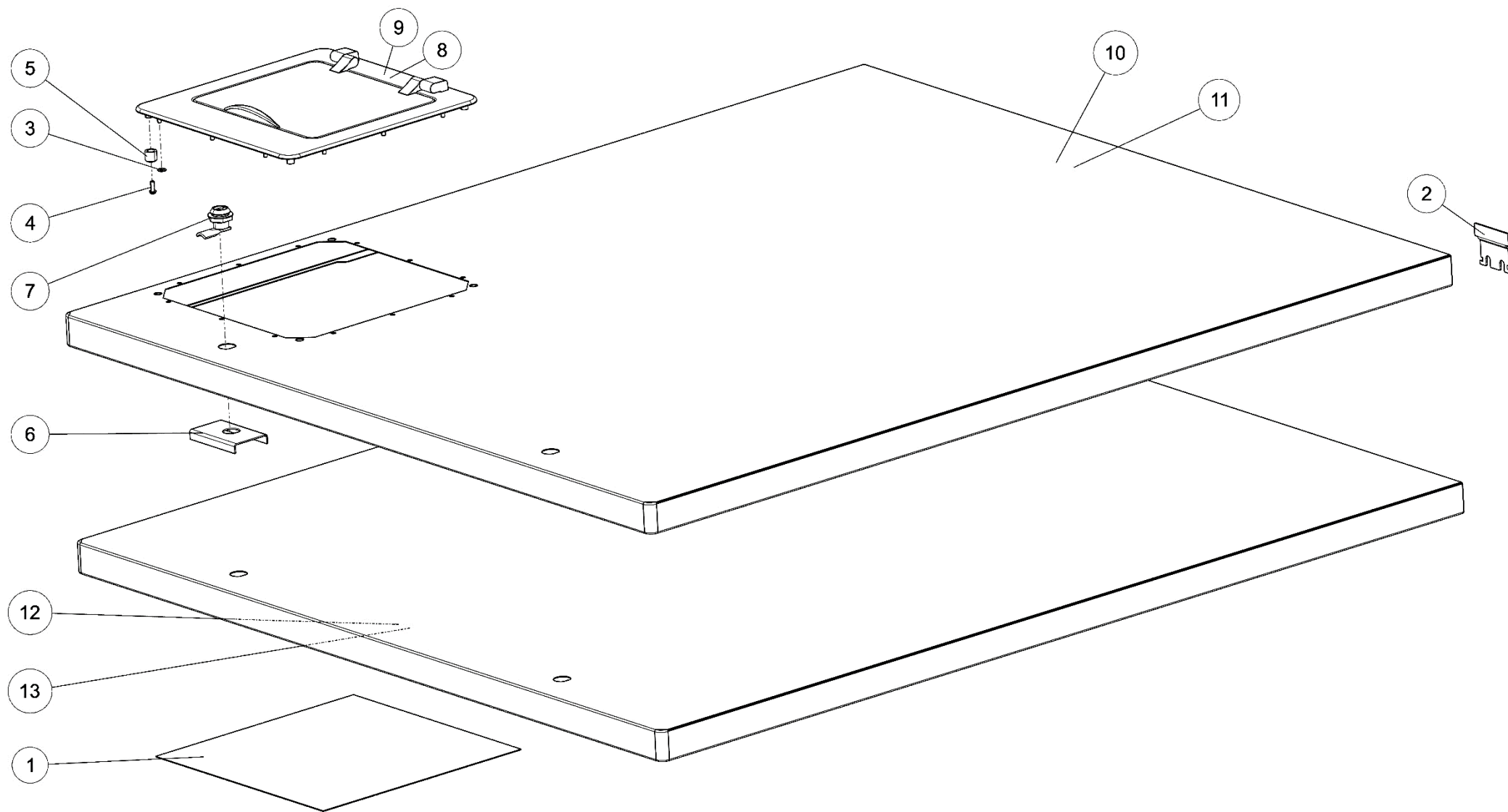


N°	REF	DENOMINATION	DENOMINACIÓN	DENOMINATION
1	144394	ALLEN SCREW DIN 912 8,8 M8x20 TRIVALENT	TORNILLO ALLEN DIN 912 8,8 M8x20 TRIVALE	VIS ALLEN DIN 912 8,8 M8x20 TRIVALENT
2	333476	SHOCK-ABSORBER SUSPA RD10 120N	AMORTIGUADOR SUSPA RD10 120N	AMORTISSEUR SUSPA RD10 120N
3	10048627	SUSPENSION SPRING	MUELLE SUSPENSIÓN	RESSORT SUSPENSION
4	10061646	FIXED CHASSIS	CHASIS FIJO	CHÂSSIS FIXE
5	192849	BIC.HEX SCREW DIN933-8 M-8X25	TOR.EX.DIN933-8.8 B.TRI.M 8X25	VIS HEX.DIN933-8,8 BICR.M-8X25
6	191726	HEX SCREW 8G DIN933 M 8X 45	TOR.EX.DIN933-8.8 B.TRI.M 8X45	VIS HEX.8G DIN933 M 8X 45
7	164285	SELF-LOCKING NUT DIN985-8 B.TRI.M8	TUER.AUTOBL.DIN985-8 B.TRI.M8	ECROU AUTOBLOCANT DIN985-8 B.TRI.M8
8	594648	SPRING SUPPORT	SOPORTE MUELLE	RESSORT SUPPORT
9	149518	BICR.WASHER B DIN125-ST 8,4	ARAN.B DIN125-ST B.TRI. 8,4	RONDELLE.B DIN125-ST BICR.8,4

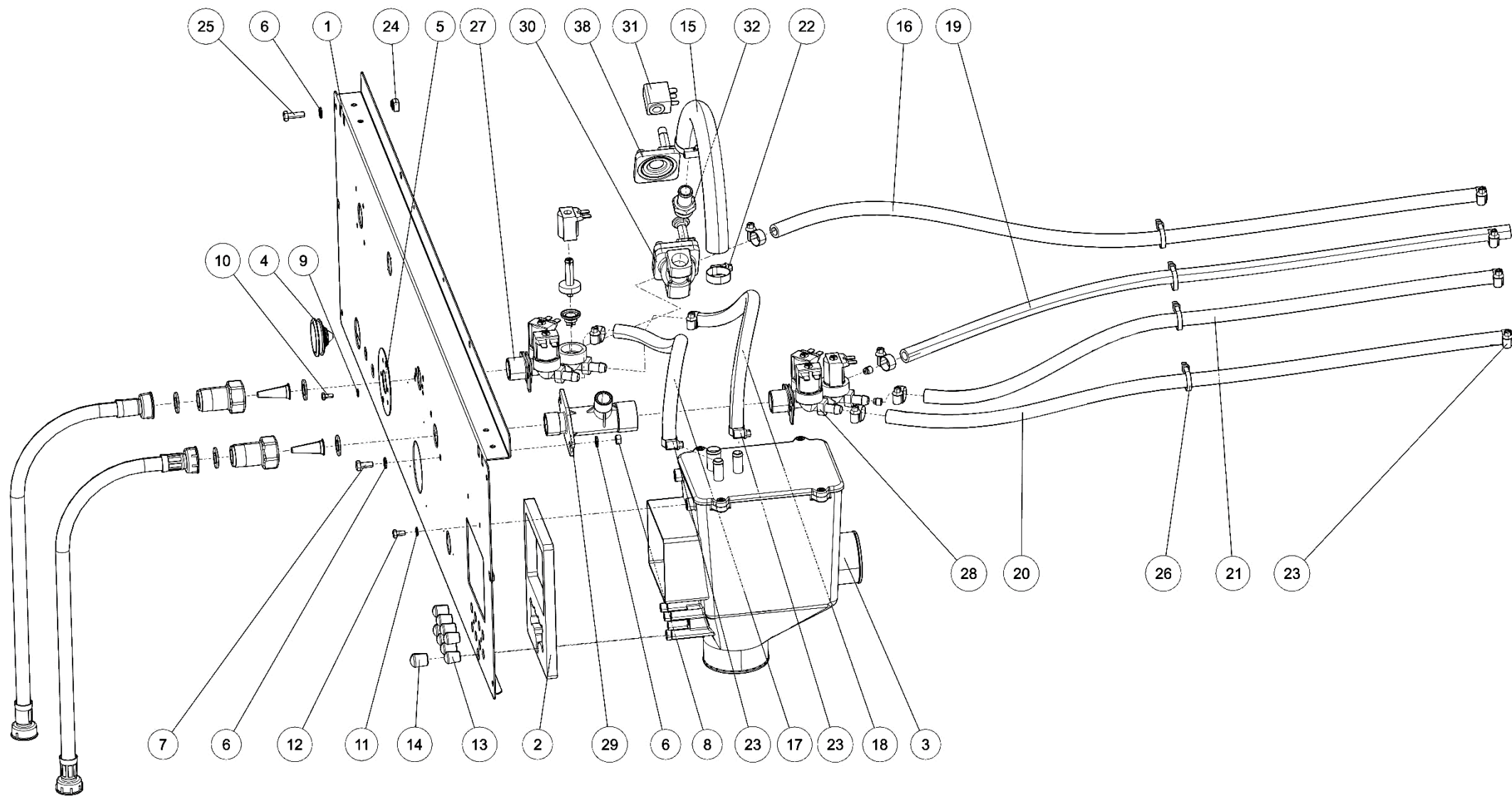


Nº	REF	DENOMINATION	DENOMINACIÓN	DENOMINATION
1	10154086	LEFT COLUMN GROUP (PRE-COATED)	GRUPO COLUMNA IZQUIERDA (PRE-COATED)	GROUPE COLONNE GAUCHE (PRE-COATED)
2	10154102	RIGHT COLUMN GROUP (PRE-COATED)	GRUPO COLUMNA DERECHA (PRE-COATED)	GROUPE COLONNE DROITE (PRE-COATED)
3	10035764	LEFT COLUMN GROUP (INOX)	GRUPO COLUMNA IZQUIERDA (INOX)	GROUPE COLONNE GAUCHE (INOX)
4	10009637	LOWER FRONT COVER (INOX)	TAPA FRONTAL INFERIOR (INOX)	COUVERCLE FRONT BAS (INOX)
5	10000131	LOWER FRONT COVER (PRE-COATED)	TAPA FRONTAL INFERIOR (PRE-COATED)	COUVERCLE FRONT BAS (PRE-COATED)
6	10072544	LOWER BACK COVER (2 DRAINS)	TAPA POSTERIOR INFERIOR (2 DESAGÜES)	BASSE COUVERTURE ARRIÈRE (2 VIDANGES)
7	10072510	LOWER BACK COVER	TAPA POSTERIOR INFERIOR	BASSE COUVERTURE ARRIÈRE
8	10021681	LATERAL PROFILE L=695	PERFIL LATERAL L=695	PROFILE LATERAL L=695
9	439000	COVER ABSORBER PROFILE	PERFIL AMORTIGUADOR TAPA	PROFILE AMORTISSEUR COUVERCLE
10	135228	NUT NUL 506-2A REF. 213048-1	TUERCA SEG.NUL 506-2B 213048-1	ECROU NUL 506-2A REF. 213048-1
11	149153	PLATE SCREW ST-4, 80 P.C. A/AL.T25	TORNILLO CHAPA ST-4 (ESPECIAL)*	VIS PLAQUE ST-4, 80 P.C. A/AL.T25
12	333294	SCREW T25 AR.18ESTR.M 6X15 INOX	TORNILLO ALOM.T25 M 6X15 INOX(ESPECIAL)	VIS T25 AR.18ESTR.M 6X15 INOX
13	115758	WASHER 20X7X2	ARANDELA 20X7X2 INOX	RONDELLE 20X7X2
14	144881	INOX HEX SCREW DIN933 M 6X16	TOR.EX.DIN933INOX A2-70 M 6X16	VIS HEX INOX DIN933 M 6X16
15	10068203	WATER DEFLECTOR	DEFLECTOR AGUA	DÉFLECTEUR EAU
16	10011740	WATER DEFLECTOR	DEFLECTOR AGUA	DÉFLECTEUR EAU
17	10186542	CELL FOAM 1 SIDE ADHESIVE EPDM 3X10MM	ESPUMA CELULAR ADHESIVA 1 CARA EPDM 4X9	MOUSSE CELLULAIRE ADHESIVE 1 FACE EPDM 3
18	406298	PANEL FIXING RENFORT	REFUERZO FIJACION TAPAS	REFORT FIXATION COUVERCLES
19	333625	SCREW T25 A18EST.M6X15 TRI.	TOR.ALOM.T25 A18EST.M6X15 TRI.(ESPECIAL)	VIS T25 A18EST.M6X15 TRI.
20	149526	BICR.WASHER B DIN125-ST 6,4	ARAN.B DIN125-ST B.TRI. 6,4	RONDELLE B DIN125-ST BICR.6,4
21	176834	SELF-LOCKING NUT DIN985-8 B.TRI.M6	TUER.AUTOBL.DIN985-8 B.TRI.M6	ECROU AUTOBLOCANT DIN985-8 B.TRI.M6
22	608034	STEAM INLET PROTECTION	PROTECCION ENTRADA VAPOR	PROTECTION ENTREE VAPEUR
23	607580	STEAM PROTECTION PLATE	CHAPA PROTECCION VAPOR	PLAQUE PROTECTION VAPEUR
24	183400	PLATE SCREW ST-4, 20 P.F. C/AL.T25	TORNILLO CHAPA ST-4 (ESPECIAL)*	VIS PLAQUE ST-4, 20 P.F. C/AL.T25
25	10073294	SUPPORT	SOPORTE	SUPPORT

N°	REF	DENOMINATION	DENOMINACIÓN	DENOMINATION
26	423327	HOSE FIXING PROFILE	PERFIL FIJACION TUBOS	PROFILE FIXATION TUBES
27	10080778	EPDM PROFILE L=760	PERFIL EPDM L=670	PROFIL EPDM L=760
28	10009264	FRONT COVER UNDERSIDE SUPPORT	SOPORTE TAPA FRONTAL INFERIOR	SUPPORT COUVERTURE FRONTAL INFERIEUR
29	10008951	SOAP DISPENSER BRACKET	SOPORTE DOSIFICADOR	SUPPORT BAC A PRODUITS
30	323717	END PIECE	CANTONERA	ARRET
31	322750	SCREW FDS SF-M5X12 PKS TORX SPER	TORNILLO FDS SF-M5X12 (ESPECIAL)*	VIS FDS SF-M5X12 PKS TORX SPER
32	10546505	CABLE PROTECTION	PROTECCIÓN CABLE	CAPOT CÂBLE
33	146233	BICR.HEX SCREW DIN933-8 M6X15	TOR.EX.DIN933-8.8 B.TRI.M 6X15	VIS HEX DIN933-8.8 BICR.M6X15
34	10161248	RIGHT COLUMN GROUP (INOX)	GRUPO COLUMNA DERECHA (INOX)	GROUPE COLONNE DROITE (INOX)
35	10080802	EPDM PROFILE	PERFIL EPDM	PROFIL EPDM
36	10488708	LEFT SIDE COVER (PRE-COATED)	TAPA LATERAL IZQUIERDA (PRE-COATED)	PANNEAU LATERAL GAUCHE (PRE-COATED)
37	10094225	SIDE COVER (INOX)	TAPA LATERAL (INOX)	PANNEAU LATERAL (INOX)
38	10488724	LEFT SIDE COVER (PRE-COATED)	TAPA LATERAL IZQUIERDA (PRE-COATED)	PANNEAU LATERAL GAUCHE (PRE-COATED)
39	10094381	SIDE COVER (INOX)	TAPA LATERAL (INOX)	PANNEAU LATERAL (INOX)
40	10488906	RIGHT SIDE COVER (PRE-COATED)	TAPA LATERAL DERECHA (PRE-COATED)	PANNEAU LATERAL DROIT (PRE-COATED)
41	10488922	RIGHT SIDE COVER (PRE-COATED)	TAPA LATERAL DERECHA (PRE-COATED)	PANNEAU LATERAL DROIT (PRE-COATED)
42	10094514	SIDE COVER (INOX)	TAPA LATERAL (INOX)	PANNEAU LATÉRAL (INOX)
43	10094621	SIDE COVER (INOX)	TAPA LATERAL (INOX)	PANNEAU LATÉRAL (INOX)
44	10100899	REAR COVER	TAPA POSTERIOR	PANNEAU ARRIÈRE
45	10100832	REAR COVER	TAPA POSTERIOR	PANNEAU ARRIÈRE

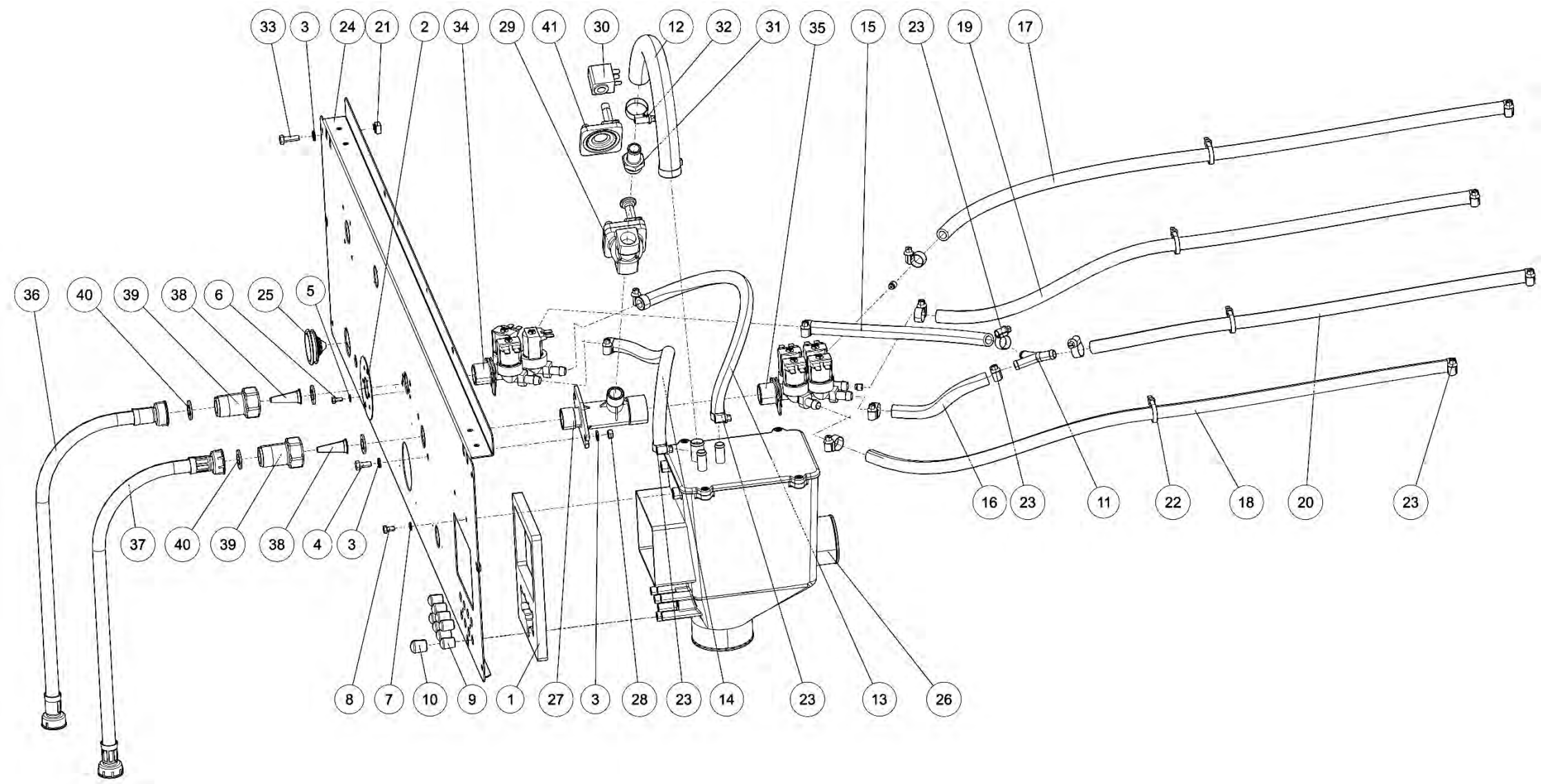


N°	REF	DENOMINATION	DENOMINACIÓN	DENOMINATION
1	590539	TOP COVER BLIND PROTECTOR (WITHOUT SOAP DISPENSER)	PROTECTOR TAPA SUPERIOR CIEGA* (SIN DOSIFICADOR)	AVEUGLE SUPERIEUR PROTECTEUR COUVERCLE (NAS BAC A PRODUITS)
2	10017309	HINGE	BISAGRA	CHARNIERE
3	193540	MIKALOR QUICK FIXING 211038-8	SUJEC.RAPIDA MIKALOR 211038-8	FIXATION RAPIDE MIKALOR 211038-8
4	326660	SCREW 412RFX87T INOXA2 4X12	TORNILLO 412RFX87T INOXA2 4X12(ESPECIAL)	VIS 412RFX87T INOXA2 4X12
5	444398	FRAME FIXATION SLEEVE	CASQUILLO FIJACION MARCO	FRETTE FIXATION CADRE
6	242115	UPPER COVER RENFORT	REFUERZO TAPA SUPERIOR	REFORT COUVERCLE SUPERIEUR
7	196915	LOCK RE.20.00.02.05	CERRADURA REF.20.00.02.05 *	FERMETURE REF.20.00.02.05
	196923	LOCK KEY RE.10.41.213	LLAVE REF.10.41.213 COMB.T-205	CLE FERMETURE REF.10.41.213
8	517136	UPPER SOAP DISPENSER LID CC-USA (EH080)	TAPA DOSIFICADOR SUP.CC-USA (EH080)	COUVERCLE BAC A PRODUITS SUP. CC-USA (EH080)
9	517508	UPPER SOAP DISPENSER LID (HS-6032)	TAPA DOSIFICADOR SUP. (HS-6032)	COUVERCLE BAC A PRODUITS SUP. (HS-6032)
10	10073666	TOP COVER (INOX)	TAPA SUPERIOR (INOX)	PANNEAU SUPÉRIEUR (INOX)
11	10073658	TOP COVER (PRE-COATED)	TAPA SUPERIOR (PRE-COATED)	PANNEAU SUPÉRIEUR (PRE-COATED)
12	10073641	TOP COVER (WITHOUT SOAP DISPENSER) (INOX)	TAPA SUPERIOR (SIN DOSIFICADOR) (INOX)	PANNEAU SUPÉRIEUR (NAS BAC A PRODUITS) (INOX)
13	10073633	TOP COVER (WITHOUT SOAP DISPENSER) (PRE-COATED)	TAPA SUPERIOR (SIN DOSIFICADOR) (PRE-COATED)	PANNEAU SUPÉRIEUR (NAS BAC A PRODUITS) (PRE-COATED)



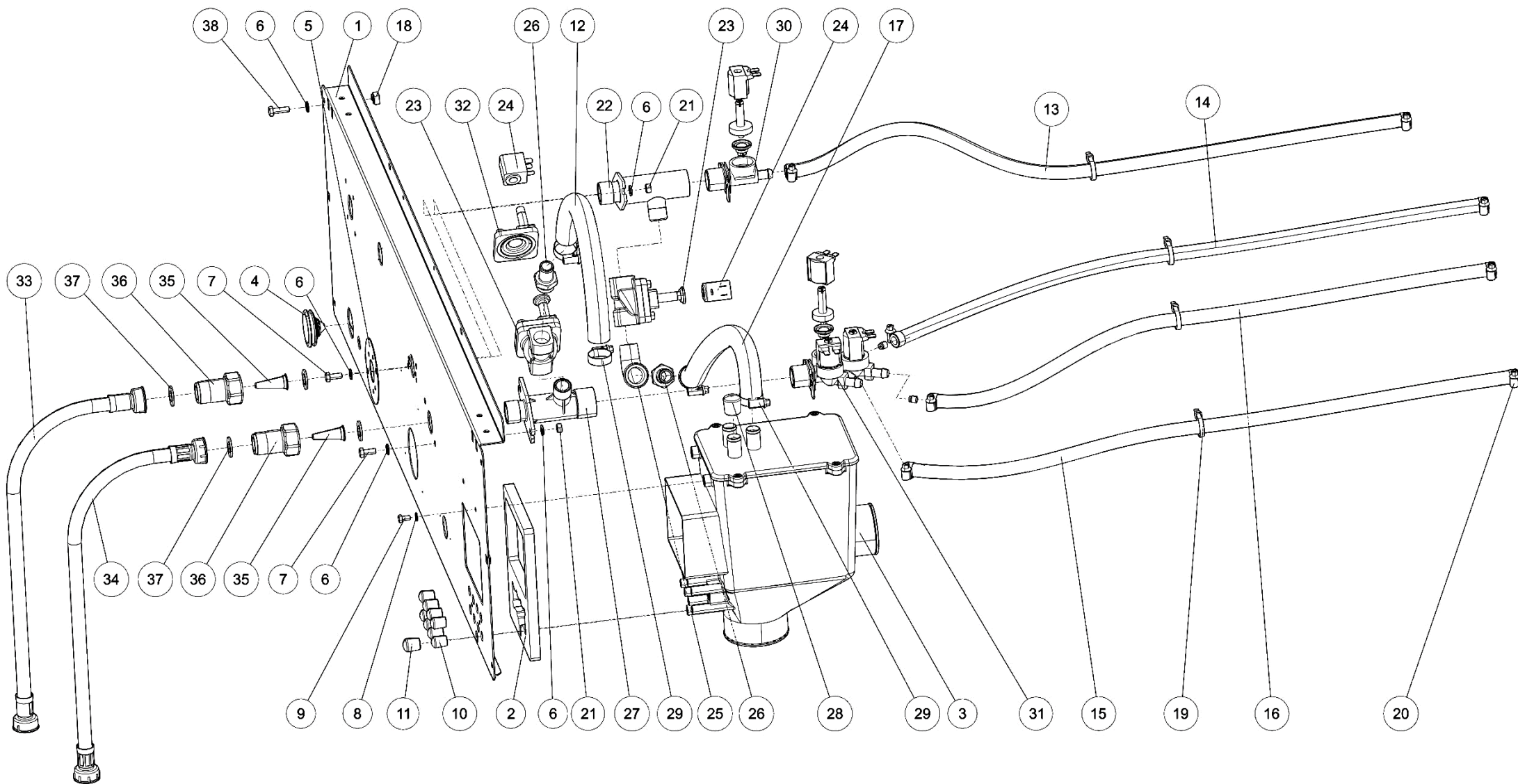
Nº	REF	DENOMINATION	DENOMINACIÓN	DENOMINATION
1	10066744	REAR PANEL	PANEL POSTERIOR	PANNEAU ARRIÈRE
2	10003960	WATER DEFLECTOR	DEFLECTOR AGUA	DÉFLECTEUR EAU
3	339689	DISTRIBUTOR	DISTRIBUIDOR	DISTRIBUTEUR
4	139683	CONE ECPC-6	CONO HIMEL ECPC-6	CONE ECPC-6
5	606939	FIXING PLATE VALVE	CHAPA FIJACION VALVULA	PLATEAU FIXATION VANNE
6	149526	BICR.WASHER B DIN125-ST 6,4	ARAN.B DIN125-ST B.TRI. 6,4	RONDELLE B DIN125-ST BICR.6,4
7	146233	BICR.HEX SCREW DIN933-8 M6X15	TOR.EX.DIN933-8.8 B.TRI.M 6X15	VIS HEX DIN933-8.8 BICR.M6X15
8	150227	BICR HEX NUT DIN934-8 M6	TUER.EX.DIN934-8 B.TRI.M 6	ECROU HEX DIN934-8 BICR.M6
9	149476	BICR.WASHER B DIN125-ST 4,3	ARAN.B DIN125-ST B.TRI. 4,3	RONDELLE B DIN125-ST BICR.4,3
10	146258	BIC.HEX SCREW DIN933-4.8 M4X10	TOR.EX.DIN933-4.8 B.TRI.M 4X10	VIS HEX DIN933-4.8 BICR.M 4X10
11	149534	BICR.WASHER B DIN125-ST 5,3	ARAN.B DIN125-ST BICR. 5,3	RONDELLE B BICR.DIN125-ST 5,3
12	146274	BICR.HEX SCREW DIN933-8 M-5X10	TOR.EX.DIN933-8.8 B.TRI.M 5X10	VIS HEX.BICR.DIN933-8.8 M-5X10
13	156679	CONICAL END-PIECE R-16 D10	TOPE CONICO REPRIMSA R-16 D10	BOUCHON CONIQUE R-16 D10
14	357624	CONICAL END-PECE R-16 D12	TOPE CONICO REPRIMSA R-16 D12	BOUCHON CONIQUE R-16 D12
15	429852	WATER INLET HOSE	TUBO ENTRADA AGUA	TUBE ENTREE EAU
16	10203701	WATER INLET HOSE	TUBO ENTRADA AGUA	TUBE ENTREE EAU
17	10919231	WATER INLET TUBE	TUBO ENTRADA AGUA	TUBE ENTREE EAU
18	10919231	WATER INLET TUBE	TUBO ENTRADA AGUA	TUBE ENTREE EAU
19	411124	WATER INLET HOSE	TUBO ENTRADA AGUA	TUBE ENTREE EAU
20	411124	WATER INLET HOSE	TUBO ENTRADA AGUA	TUBE ENTREE EAU
21	411132	WATER INLET HOSE	TUBO ENTRADA AGUA	TUBE ENTREE EAU
22	156109	CLAMP 16-27	ABRAZADERA 16- 27 *	BRIDE 16-27
23	155150	HOSE CLIP ASFA-L W2 8-16	ABRAZADERA ASFA-L W2 8-16	COLLIER ASFA-L W2 8-16
24	165019	CAGED NUT M-6 0,5-1,5 R.310007-9	TUER.ENJ.M6 0,5-1,5 R.310007-9	*ECROU PRESIONER M-6 0,5-1,5 R.310007-9
25	146316	BICR.HEX SCREW DIN933-8 M-6X20	TOR.EX.DIN933-8.8 B.TRI.M 6X20	VIX HEX BICR.DIN933-8.8 M-6X20
26	140525	CLAMP 2244-0	BRIDA UNEX 2244-0 *	BRIDE 2244-0

N°	REF	DENOMINATION	DENOMINACIÓN	DENOMINATION
27	333674	TRIPLE ELECTROVALVE 369 180°	ELECTROV.TRIPLE 369 180°12VCC*	ELECTROVANNE TRIPLE 369 180°
	300194	YELLOW CASE 30053	ESTUCHE AMARILLO 30053	BOITE JAUNE 30053
	300202	INTEGRAL GUIDE-MEMBRANE 30696	MEMBRANA-GUIA INTEGRAL 30696 *	MEMBRANE-GUIDE INTEGRALE 30696
	332296	COIL 255043000000 12VCC	BOBINA 255043000000 12VCC	BOBINE 255043000000 12VCC
28	511139	THREE TRACK ELECTROVALVE	ELECTROVALVULA TRES VIAS	ELECTROVANNE TROIS VOIES
	156265	REGULATOR 3 L/MIN (BLACK)	REGULADOR DE 3 L/MIN. (NEGRO)	REGULATEUR 3 L/MIN (NOIR)
	510933	REGULATOR 4 L/MIN.RED	REGULADOR DE 4L/MIN.ROJO CLARO	REGULATEUR 4 L/MIN ROUGE
	300194	YELLOW CASE 30053	ESTUCHE AMARILLO 30053	BOITE JAUNE 30053
	300202	INTEGRAL GUIDE-MEMBRANE 30696	MEMBRANA-GUIA INTEGRAL 30696 *	MEMBRANE-GUIDE INTEGRALE 30696
	332296	COIL 255043000000 12VCC	BOBINA 255043000000 12VCC	BOBINE 255043000000 12VCC
29	333682	ELECTROVALVE BRACKET	SOPORTE ELECTROVALVULAS	SUPPORT ELECTROVANNES
30	333708	VALVE EV220A G12 042U4022	CUERPO VAL.EV220A G12 042U4022	VANNE EV220A G12 042U4022
31	333716	COIL AB 5W 12V CC 042N0806	BOBINA AB 5W 12V CC 042N0806	BOBINE AB 5W 12V CC 042N0806
32	333690	FIG. 243 MI 1/2" BRASS	FIGURA 243 MI DE 1/2" LATON	FIG. 243 MI 1/2" LAITON
33	326587	WATER INLET AC DI12,5 L1,5M	TUBO ENTRADA AC DI12,5 L1,5M *	FLEXIBLE ENTRÉE AC DI12,5 L1,5
34	326579	WATER INLET AF DI12,5 L1,5M	TUBO ENTRADA AF DI12,5 L1,5M *	FLEXIBLE ENTRÉE AF DI12,5 L,5M
35	315614	CONICAL FILTER REF.4008-2-1	FILTRO CONICO REF.4008-2-1	FILTRE CONIQUE REF.4008-2-1
36	315317	FILTER BODY	CUERPO FILTRO	CORPS FILTRE
37	114348	GASKET D24XD13,5X2	JUNTA MIFLEX D24X13, 5X2 EPDM WRC 400105	JOINT D24XD13,5X2
38	341685	SPARE-PARTS KIT EV220A 12-14B	KIT REPUES.EV220A 12-14B *	KIT RECHANGES EV220A 12-14B



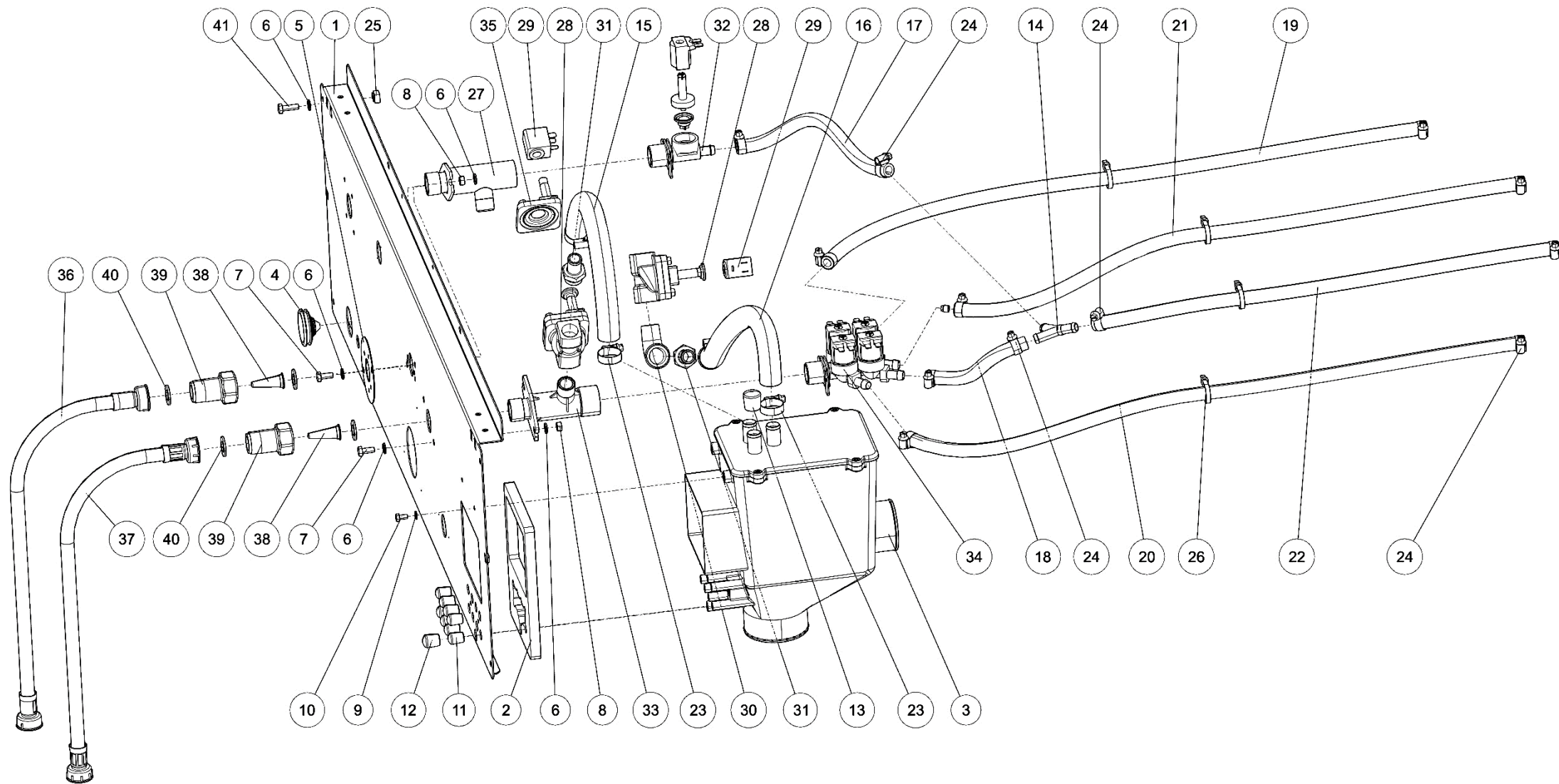
Nº	REF	DENOMINATION	DENOMINACIÓN	DENOMINATION
1	10003960	WATER DEFLECTOR	DEFLECTOR AGUA	DÉFLECTEUR EAU
2	606939	FIXING PLATE VALVE	CHAPA FIJACION VALVULA	PLATEAU FIXATION VANNE
3	149526	BICR.WASHER B DIN125-ST 6,4	ARAN.B DIN125-ST B.TRI. 6,4	RONDELLE B DIN125-ST BICR.6,4
4	146233	BICR.HEX SCREW DIN933-8 M6X15	TOR.EX.DIN933-8.8 B.TRI.M 6X15	VIS HEX DIN933-8.8 BICR.M6X15
5	149476	BICR.WASHER B DIN125-ST 4,3	ARAN.B DIN125-ST B.TRI. 4,3	RONDELLE B DIN125-ST BICR.4,3
6	146258	BIC.HEX SCREW DIN933-4.8 M4X10	TOR.EX.DIN933-4.8 B.TRI.M 4X10	VIS HEX DIN933-4.8 BICR.M 4X10
7	149534	BICR.WASHER B DIN125-ST 5,3	ARAN.B DIN125-ST BICR. 5,3	RONDELLE B BICR.DIN125-ST 5,3
8	146274	BICR.HEX SCREW DIN933-8 M-5X10	TOR.EX.DIN933-8.8 B.TRI.M 5X10	VIS HEX.BICR.DIN933-8.8 M-5X10
9	156679	CONICAL END-PIECE R-16 D10	TOPE CONICO REPRIMSA R-16 D10	BOUCHON CONIQUE R-16 D10
10	357624	CONICAL END-PECE R-16 D12	TOPE CONICO REPRIMSA R-16 D12	BOUCHON CONIQUE R-16 D12
11	152165	BRANCH	BIFURCACION	BIFURCATION
12	429852	WATER INLET HOSE	TUBO ENTRADA AGUA	TUBE ENTREE EAU
13	10919231	WATER INLET TUBE	TUBO ENTRADA AGUA	TUBE ENTREE EAU
14	10919231	WATER INLET TUBE	TUBO ENTRADA AGUA	TUBE ENTREE EAU
15	10200541	WATER INLET HOSE	TUBO ENTRADA AGUA	ENTREE EAU TUBE
16	427187	WATER INLET HOSE	TUBO ENTRADA AGUA	TUBE ENTREE EAU
17	453712	WATER INLET HOSE	TUBO ENTRADA AGUA	TUBE ENTREE EAU
18	453712	WATER INLET HOSE	TUBO ENTRADA AGUA	TUBE ENTREE EAU
19	411124	WATER INLET HOSE	TUBO ENTRADA AGUA	TUBE ENTREE EAU
20	211771	WATER INLET HOSE	TUBO ENTRADA AGUA	TUBE ENTREE EAU
21	165019	CAGED NUT M-6 0,5-1,5 R.310007-9	TUER.ENJ.M6 0,5-1,5 R.310007-9	*ECROU PRESIONER M-6 0,5-1,5 R.310007-9
22	140525	CLAMP 2244-0	BRIDA UNEX 2244-0	BRIDE 2244-0
23	155150	HOSE CLIP ASFA-L W2 8-16	ABRAZADERA ASFA-L W2 8-16	COLLIER ASFA-L W2 8-16
24	10066744	REAR PANEL	PANEL POSTERIOR	PANNEAU ARRIÈRE
25	139683	CONE ECPC-6	CONO HIMEL ECPC-6	CONE ECPC-6
26	339689	DISTRIBUTOR	DISTRIBUIDOR	DISTRIBUTEUR
27	333682	ELECTROVALVE BRACKET	SOPORTE ELECTROVALVULAS	SUPPORT ELECTROVANNES
28	150227	BICR HEX NUT DIN934-8 M6	TUER.EX.DIN934-8 B.TRI.M 6	ECROU HEX DIN934-8 BICR.M6

Nº	REF	DENOMINATION	DENOMINACIÓN	DENOMINATION
29	333708	VALVE EV220A G12 042U4022	CUERPO VAL.EV220A G12 042U4022	VANNE EV220A G12 042U4022
30	333716	COIL AB 5W 12V CC 042N0806	BOBINA AB 5W 12V CC 042N0806	BOBINE AB 5W 12V CC 042N0806
31	333690	FIG. 243 MI 1/2" BRASS	FIGURA 243 MI DE 1/2" LATON	FIG. 243 MI 1/2" LAITON
32	156109	CLAMP 16-27	ABRAZADERA 16- 27 *	BRIDE 16-27
33	146316	BICR.HEX SCREW DIN933-8 M-6X20	TOR.EX.DIN933-8.8 B.TRI.M 6X20	VIX HEX BICR.DIN933-8.8 M-6X20
34	333674	TRIPLE ELECTROVALVE 369 180°	ELECTROV.TRIPLE 369 180°12VCC*	ELECTROVANNE TRIPLE 369 180°
	300194	YELLOW CASE 30053	ESTUCHE AMARILLO 30053	BOITE JAUNE 30053
	300202	INTEGRAL GUIDE-MEMBRANE 30696	MEMBRANA-GUIA INTEGRAL 30696 *	MEMBRANE-GUIDE INTEGRALE 30696
	332296	COIL 255043000000 12VCC	BOBINA 255043000000 12VCC	BOBINE 255043000000 12VCC
35	511212	4 TRACK ELECTROVALVE 389 180°C	ELECTROV.CUADRUPLE 389 180° *	ELECTROVANNE 4 VOIES 389 180°C
	156265	REGULATOR 3 L/MIN (BLACK)	REGULADOR DE 3 L/MIN. (NEGRO)	REGULATEUR 3 L/MIN (NOIR)
	510933	REGULATOR 4 L/MIN.RED	REGULADOR DE 4L/MIN.ROJO CLARO	REGULATEUR 4 L/MIN ROUGE
	300194	YELLOW CASE 30053	ESTUCHE AMARILLO 30053	BOITE JAUNE 30053
	300202	INTEGRAL GUIDE-MEMBRANE 30696	MEMBRANA-GUIA INTEGRAL 30696 *	MEMBRANE-GUIDE INTEGRALE 30696
	332296	COIL 255043000000 12VCC	BOBINA 255043000000 12VCC	BOBINE 255043000000 12VCC
36	326587	WATER INLET AC DI12,5 L1,5M	TUBO ENTRADA AC DI12,5 L1,5M *	FLEXIBLE ENTRÉE AC DI12,5 L1,5
37	326579	WATER INLET AF DI12,5 L1,5M	TUBO ENTRADA AF DI12,5 L1,5M *	FLEXIBLE ENTRÉE AF DI12,5 L,5M
38	315614	CONICAL FILTER REF.4008-2-1	FILTRO CONICO REF.4008-2-1	FILTRE CONIQUE REF.4008-2-1
39	315317	FILTER BODY	CUERPO FILTRO	CORPS FILTRE
40	114348	GASKET D24XD13,5X2	JUNTA MIFLEX D24X13, 5X2 EPDM WRC 400105	JOINT D24XD13,5X2
41	341685	SPARE-PARTS KIT EV220A 12-14B	KIT REPUES.EV220A 12-14B *	KIT RECHANGES EV220A 12-14B



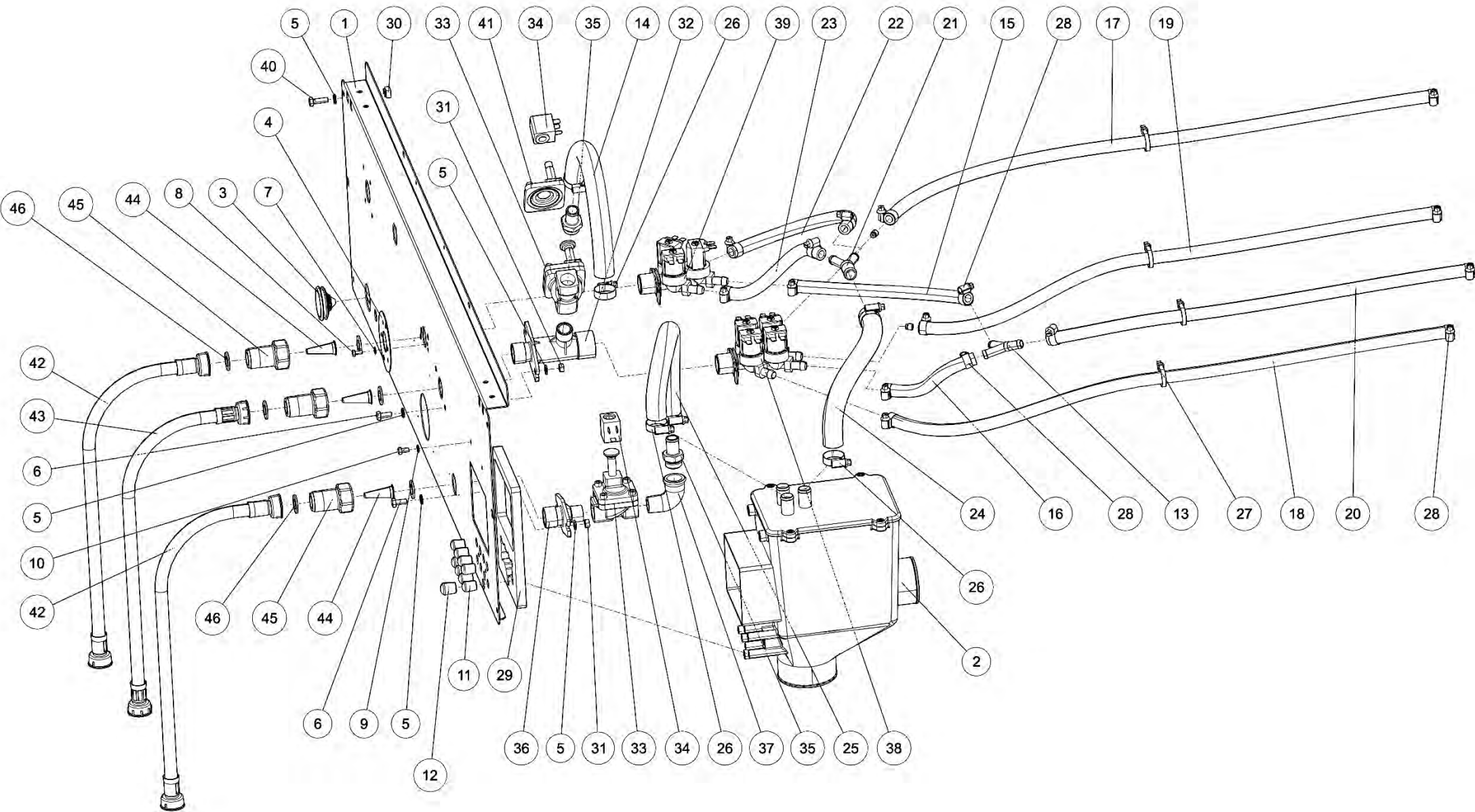
Nº	REF	DENOMINATION	DENOMINACIÓN	DENOMINATION
1	10066744	REAR PANEL	PANEL POSTERIOR	PANNEAU ARRIÈRE
2	10003960	WATER DEFLECTOR	DEFLECTOR AGUA	DÉFLECTEUR EAU
3	333658	DISTRIBUTOR	DISTRIBUIDOR	DISTRIBUTEUR
4	139683	CONE ECPC-6	CONO HIMEL ECPC-6	CONE ECPC-6
5	606939	FIXING PLATE VALVE	CHAPA FIJACION VALVULA	PLATEAU FIXATION VANNE
6	149526	BICR.WASHER B DIN125-ST 6,4	ARAN.B DIN125-ST B.TRI. 6,4	RONDELLE B DIN125-ST BICR.6,4
7	146233	BICR.HEX SCREW DIN933-8 M6X15	TOR.EX.DIN933-8.8 B.TRI.M 6X15	VIS HEX DIN933-8.8 BICR.M6X15
8	149534	BICR.WASHER B DIN125-ST 5,3	ARAN.B DIN125-ST BICR. 5,3	RONDELLE B BICR.DIN125-ST 5,3
9	146274	BICR.HEX SCREW DIN933-8 M-5X10	TOR.EX.DIN933-8.8 B.TRI.M 5X10	VIS HEX.BICR.DIN933-8.8 M-5X10
10	156679	CONICAL END-PIECE R-16 D10	TOPE CONICO REPRIMSA R-16 D10	BOUCHON CONIQUE R-16 D10
11	357624	CONICAL END-PECE R-16 D12	TOPE CONICO REPRIMSA R-16 D12	BOUCHON CONIQUE R-16 D12
12	429852	WATER INLET HOSE	TUBO ENTRADA AGUA	TUBE ENTREE EAU
13	214395	WATER INLET HOSE	TUBO ENTRADA AGUA	TUBE ENTREE EAU
14	411124	WATER INLET HOSE	TUBO ENTRADA AGUA	TUBE ENTREE EAU
15	411124	WATER INLET HOSE	TUBO ENTRADA AGUA	TUBE ENTREE EAU
16	411132	WATER INLET HOSE	TUBO ENTRADA AGUA	TUBE ENTREE EAU
17	427229	WATER INLET HOSE	TUBO ENTRADA AGUA	TUBE ENTREE EAU
18	165019	CAGED NUT M-6 0,5-1,5 R.310007-9	TUER.ENJ.M6 0,5-1,5 R.310007-9	*ECROU PRESIONER M-6 0,5-1,5 R.310007-9
19	140525	CLAMP 2244-0	BRIDA UNEX 2244-0 *	BRIDE 2244-0
20	155150	HOSE CLIP ASFA-L W2 8-16	ABRAZADERA ASFA-L W2 8-16	COLLIER ASFA-L W2 8-16
21	150227	BICR HEX NUT DIN934-8 M6	TUER.EX.DIN934-8 B.TRI.M 6	ECROU HEX DIN934-8 BICR.M6
22	552133	ELECTROVALVE BRACKET	SOPORTE ELECTROVALVULAS	SUPPORT ELECTROVANNES
23	333708	VALVE EV220A G12 042U4022	CUERPO VAL.EV220A G12 042U4022	VANNE EV220A G12 042U4022
24	333716	COIL AB 5W 12V CC 042N0806	BOBINA AB 5W 12V CC 042N0806	BOBINE AB 5W 12V CC 042N0806
25	129494	ELBOW FIG 92 1/2" GALV	FIGURA 92 DE 1/2"AMAT GALV.	COUDE FIG 92 1/2" GALV
26	333690	FIG. 243 MI 1/2" BRASS	FIGURA 243 MI DE 1/2" LATON	FIG. 243 MI 1/2" LAITON
27	333682	ELECTROVALVE BRACKET	SOPORTE ELECTROVALVULAS	SUPPORT ELECTROVANNES
28	156687	CONICAL END-PIECE R-16 D16	TOPE CONICO REPRIMSA R-16 D16	ARRET CONIQUE R-16 D16

Nº	REF	DENOMINATION	DENOMINACIÓN	DENOMINATION
29	156109	CLAMP 16-27	ABRAZADERA 16- 27 *	BRIDE 16-27
30	323329	SIMPLE ELECTROVALVE 329 180	ELECTROV.SIMPLE 329 180	ELECTROVANNE SIMPLE 329 180
	300194	YELLOW CASE 30053	ESTUCHE AMARILLO 30053	BOITE JAUNE 30053
	300202	INTEGRAL GUIDE-MEMBRANE 30696	MEMBRANA-GUIA INTEGRAL 30696 *	MEMBRANE-GUIDE INTEGRALE 30696
	332296	COIL 255043000000 12VCC	BOBINA 255043000000 12VCC	BOBINE 255043000000 12VCC
31	511139	THREE TRACK ELECTROVALVE	ELECTROVALVULA TRES VIAS	ELECTROVANNE TROIS VOIES
	156265	REGULATOR 3 L/MIN (BLACK)	REGULADOR DE 3 L/MIN. (NEGRO)	REGULATEUR 3 L/MIN (NOIR)
	510933	REGULATOR 4 L/MIN.RED	REGULADOR DE 4L/MIN.ROJO CLARO	REGULATEUR 4 L/MIN ROUGE
	300194	YELLOW CASE 30053	ESTUCHE AMARILLO 30053	BOITE JAUNE 30053
	300202	INTEGRAL GUIDE-MEMBRANE 30696	MEMBRANA-GUIA INTEGRAL 30696 *	MEMBRANE-GUIDE INTEGRALE 30696
	332296	COIL 255043000000 12VCC	BOBINA 255043000000 12VCC	BOBINE 255043000000 12VCC
32	341685	SPARE-PARTS KIT EV220A 12-14B	KIT REPUES.EV220A 12-14B *	KIT RECHANGES EV220A 12-14B
33	326587	WATER INLET AC DI12,5 L1,5M	TUBO ENTRADA AC DI12,5 L1,5M *	FLEXIBLE ENTRÉE AC DI12,5 L1,5
34	326579	WATER INLET AF DI12,5 L1,5M	TUBO ENTRADA AF DI12,5 L1,5M *	FLEXIBLE ENTRÉE AF DI12,5 L,5M
35	315614	CONICAL FILTER REF.4008-2-1	FILTRO CONICO REF.4008-2-1	FILTRE CONIQUE REF.4008-2-1
36	315317	FILTER BODY	CUERPO FILTRO	CORPS FILTRE
37	114348	GASKET D24XD13,5X2	JUNTA MIFLEX D24X13, 5X2 EPDM WRC 400105	JOINT D24XD13,5X2
38	146316	BICR.HEX SCREW DIN933-8 M-6X20	TOR.EX.DIN933-8.8 B.TRI.M 6X20	VIX HEX BICR.DIN933-8.8 M-6X20



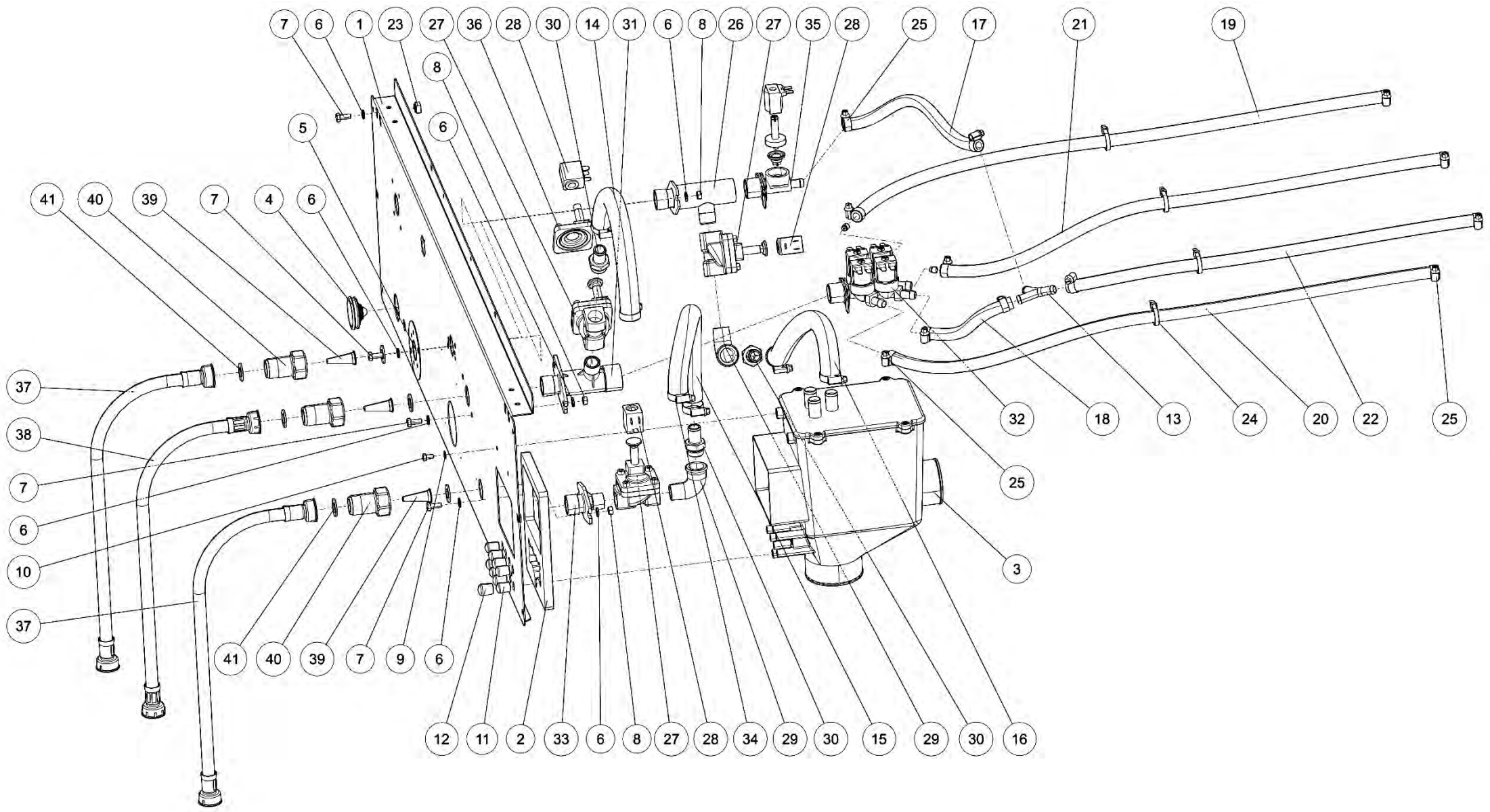
Nº	REF	DENOMINATION	DENOMINACIÓN	DENOMINATION
1	10066744	REAR PANEL	PANEL POSTERIOR	PANNEAU ARRIÈRE
2	10003960	WATER DEFLECTOR	DEFLECTOR AGUA	DÉFLECTEUR EAU
3	333658	DISTRIBUTOR	DISTRIBUIDOR	DISTRIBUTEUR
4	139683	CONE ECPC-6	CONO HIMEL ECPC-6	CONE ECPC-6
5	606939	FIXING PLATE VALVE	CHAPA FIJACION VALVULA	PLATEAU FIXATION VANNE
6	149526	BICR.WASHER B DIN125-ST 6,4	ARAN.B DIN125-ST B.TRI. 6,4	RONDELLE B DIN125-ST BICR.6,4
7	146233	BICR.HEX SCREW DIN933-8 M6X15	TOR.EX.DIN933-8.8 B.TRI.M 6X15	VIS HEX DIN933-8.8 BICR.M6X15
8	150227	BICR HEX NUT DIN934-8 M6	TUER.EX.DIN934-8 B.TRI.M 6	ECROU HEX DIN934-8 BICR.M6
9	149534	BICR.WASHER B DIN125-ST 5,3	ARAN.B DIN125-ST BICR. 5,3	RONDELLE B BICR.DIN125-ST 5,3
10	146274	BICR.HEX SCREW DIN933-8 M-5X10	TOR.EX.DIN933-8.8 B.TRI.M 5X10	VIS HEX.BICR.DIN933-8.8 M-5X10
11	156679	CONICAL END-PIECE R-16 D10	TOPE CONICO REPRIMSA R-16 D10	BOUCHON CONIQUE R-16 D10
12	357624	CONICAL END-PECE R-16 D12	TOPE CONICO REPRIMSA R-16 D12	BOUCHON CONIQUE R-16 D12
13	156687	CONICAL END-PIECE R-16 D16	TOPE CONICO REPRIMSA R-16 D16	ARRET CONIQUE R-16 D16
14	152165	BRANCH	BIFURCACION	BIFURCATION
15	429852	WATER INLET HOSE	TUBO ENTRADA AGUA	TUBE ENTREE EAU
16	427229	WATER INLET HOSE	TUBO ENTRADA AGUA	TUBE ENTREE EAU
17	410613	WATER INLET HOSE	TUBO ENTRADA AGUA	TUBE ENTRÉE EAU
18	427187	WATER INLET HOSE	TUBO ENTRADA AGUA	TUBE ENTREE EAU
19	411124	WATER INLET HOSE	TUBO ENTRADA AGUA	TUBE ENTREE EAU
20	411124	WATER INLET HOSE	TUBO ENTRADA AGUA	TUBE ENTREE EAU
21	411132	WATER INLET HOSE	TUBO ENTRADA AGUA	TUBE ENTREE EAU
22	411389	WATER INLET HOSE	TUBO ENTRADA AGUA	TUBE ENTREE EAU
23	156109	CLAMP 16-27	ABRAZADERA 16- 27 *	BRIDE 16-27
24	155150	HOSE CLIP ASFA-L W2 8-16	ABRAZADERA ASFA-L W2 8-16	COLLIER ASFA-L W2 8-16
25	165019	CAGED NUT M-6 0,5-1,5 R.310007-9	TUER.ENJ.M6 0,5-1,5 R.310007-9	*ECROU PRESIONER M-6 0,5-1,5 R.310007-9
26	140525	CLAMP 2244-0	BRIDA UNEX 2244-0 *	BRIDE 2244-0
27	552133	ELECTROVALVE BRACKET	SOPORTE ELECTROVALVULAS	SUPPORT ELECTROVANNES
28	333708	VALVE EV220A G12 042U4022	CUERPO VAL.EV220A G12 042U4022	VANNE EV220A G12 042U4022

Nº	REF	DENOMINATION	DENOMINACIÓN	DENOMINATION
29	333716	COIL AB 5W 12V CC 042N0806	BOBINA AB 5W 12V CC 042N0806	BOBINE AB 5W 12V CC 042N0806
30	129494	ELBOW FIG 92 1/2" GALV	FIGURA 92 DE 1/2"AMAT GALV.	COUDE FIG 92 1/2" GALV
31	333690	FIG. 243 MI 1/2" BRASS	FIGURA 243 MI DE 1/2" LATON	FIG. 243 MI 1/2" LAITON
32	323329	SIMPLE ELECTROVALVE 329 180	ELECTROV.SIMPLE 329 180	ELECTROVANNE SIMPLE 329 180
	300194	YELLOW CASE 30053	ESTUCHE AMARILLO 30053	BOITE JAUNE 30053
	300202	INTEGRAL GUIDE-MEMBRANE 30696	MEMBRANA-GUIA INTEGRAL 30696 *	MEMBRANE-GUIDE INTEGRALE 30696
	332296	COIL 255043000000 12VCC	BOBINA 255043000000 12VCC	BOBINE 255043000000 12VCC
33	333682	ELECTROVALVE BRACKET	SOPORTE ELECTROVALVULAS	SUPPORT ELECTROVANNES
34	511212	4 TRACK ELECTROVALVE 389 180°C	ELECTROV.CUADRUPLE 389 180° *	ELECTROVANNE 4 VOIES 389 180°C
	156265	REGULATOR 3 L/MIN (BLACK)	REGULADOR DE 3 L/MIN. (NEGRO)	REGULATEUR 3 L/MIN (NOIR)
	510933	REGULATOR 4 L/MIN.RED	REGULADOR DE 4L/MIN.ROJO CLARO	REGULATEUR 4 L/MIN ROUGE
	300194	YELLOW CASE 30053	ESTUCHE AMARILLO 30053	BOITE JAUNE 30053
	300202	INTEGRAL GUIDE-MEMBRANE 30696	MEMBRANA-GUIA INTEGRAL 30696 *	MEMBRANE-GUIDE INTEGRALE 30696
	332296	COIL 255043000000 12VCC	BOBINA 255043000000 12VCC	BOBINE 255043000000 12VCC
35	341685	SPARE-PARTS KIT EV220A 12-14B	KIT REPUES.EV220A 12-14B *	KIT RECHANGES EV220A 12-14B
36	326587	WATER INLET AC DI12,5 L1,5M	TUBO ENTRADA AC DI12,5 L1,5M *	FLEXIBLE ENTRÉE AC DI12,5 L1,5
37	326579	WATER INLET AF DI12,5 L1,5M	TUBO ENTRADA AF DI12,5 L1,5M *	FLEXIBLE ENTRÉE AF DI12,5 L,5M
38	315614	CONICAL FILTER REF.4008-2-1	FILTRO CONICO REF.4008-2-1	FILTRE CONIQUE REF.4008-2-1
39	315317	FILTER BODY	CUERPO FILTRO	CORPS FILTRE
40	114348	GASKET D24XD13,5X2	JUNTA MIFLEX D24X13, 5X2 EPDM WRC 400105	JOINT D24XD13,5X2
41	146316	BICR.HEX SCREW DIN933-8 M-6X20	TOR.EX.DIN933-8.8 B.TRI.M 6X20	VIX HEX BICR.DIN933-8.8 M-6X20



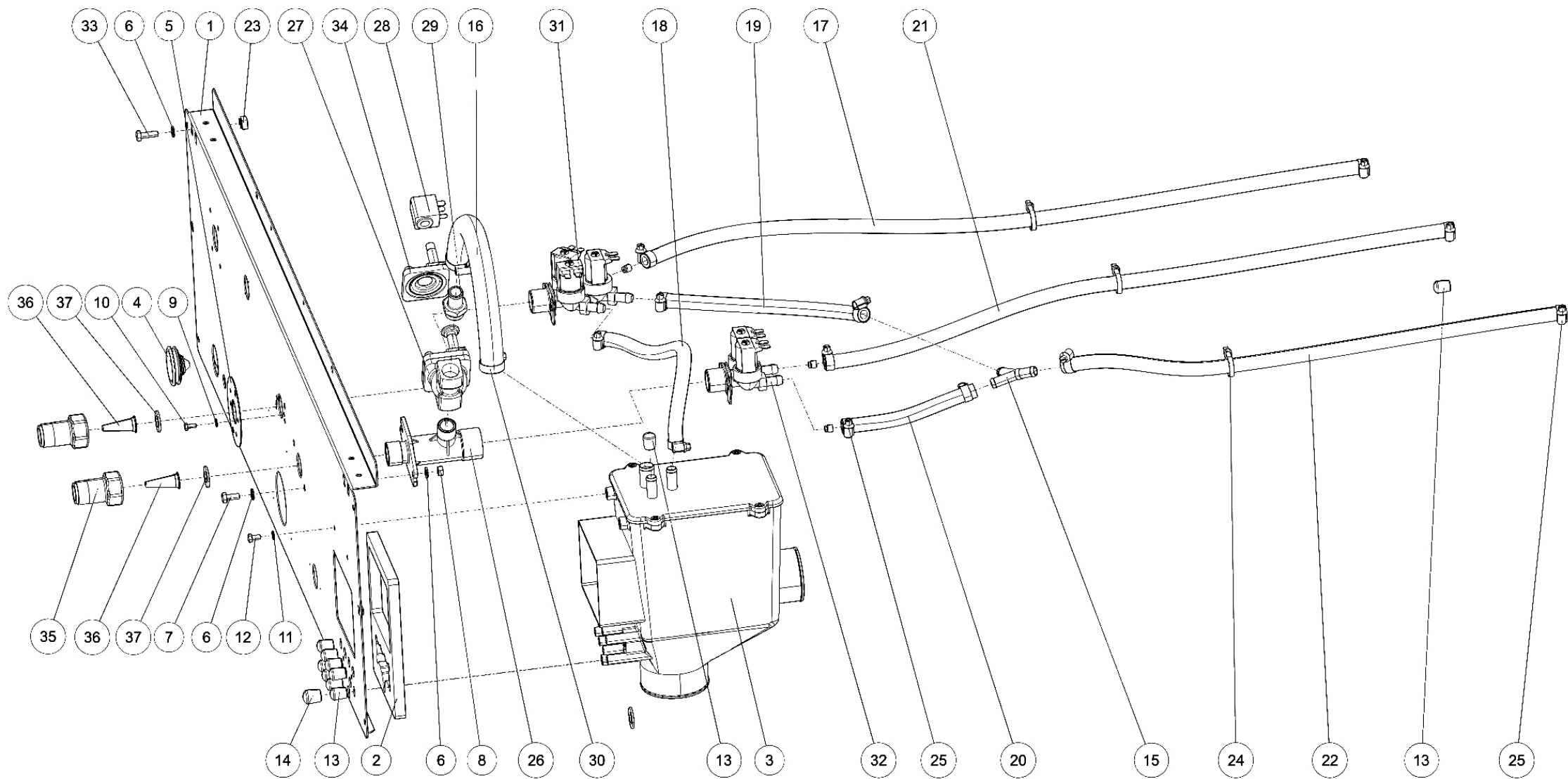
Nº	REF	DENOMINATION	DENOMINACIÓN	DENOMINATION
1	10066744	REAR PANEL	PANEL POSTERIOR	PANNEAU ARRIÈRE
2	333658	DISTRIBUTOR	DISTRIBUIDOR	DISTRIBUTEUR
3	139683	CONE ECPC-6	CONO HIMEL ECPC-6	CONE ECPC-6
4	606939	FIXING PLATE VALVE	CHAPA FIJACION VALVULA	PLATEAU FIXATION VANNE
5	149526	BICR.WASHER B DIN125-ST 6,4	ARAN.B DIN125-ST B.TRI. 6,4	RONDELLE B DIN125-ST BICR.6,4
6	146233	BICR.HEX SCREW DIN933-8 M6X15	TOR.EX.DIN933-8.8 B.TRI.M 6X15	VIS HEX DIN933-8.8 BICR.M6X15
7	149476	BICR.WASHER B DIN125-ST 4,3	ARAN.B DIN125-ST B.TRI. 4,3	RONDELLE B DIN125-ST BICR.4,3
8	146258	BIC.HEX SCREW DIN933-4.8 M4X10	TOR.EX.DIN933-4.8 B.TRI.M 4X10	VIS HEX DIN933-4.8 BICR.M 4X10
9	149534	BICR.WASHER B DIN125-ST 5,3	ARAN.B DIN125-ST BICR. 5,3	RONDELLE B BICR.DIN125-ST 5,3
10	146274	BICR.HEX SCREW DIN933-8 M-5X10	TOR.EX.DIN933-8.8 B.TRI.M 5X10	VIS HEX.BICR.DIN933-8.8 M-5X10
11	156679	CONICAL END-PIECE R-16 D10	TOPE CONICO REPRIMSA R-16 D10	BOUCHON CONIQUE R-16 D10
12	357624	CONICAL END-PECE R-16 D12	TOPE CONICO REPRIMSA R-16 D12	BOUCHON CONIQUE R-16 D12
13	152165	BRANCH	BIFURCACION	BIFURCATION
14	429852	WATER INLET HOSE	TUBO ENTRADA AGUA	TUBE ENTREE EAU
15	410613	WATER INLET HOSE	TUBO ENTRADA AGUA	TUBE ENTRÉE EAU
16	427187	WATER INLET HOSE	TUBO ENTRADA AGUA	TUBE ENTREE EAU
17	411124	WATER INLET HOSE	TUBO ENTRADA AGUA	TUBE ENTREE EAU
18	411124	WATER INLET HOSE	TUBO ENTRADA AGUA	TUBE ENTREE EAU
19	411132	WATER INLET HOSE	TUBO ENTRADA AGUA	TUBE ENTREE EAU
20	411389	WATER INLET HOSE	TUBO ENTRADA AGUA	TUBE ENTREE EAU
21	321463	BRANCH OF 16-10,5-10,5	BIFURCACION DE 16-10,5-10,5	BIFURCATION DE 16-10,5-10,5
22	432658	WATER INLET HOSE	TUBO ENTRADA AGUA	TUBE ENTREE EAU
23	432658	WATER INLET HOSE	TUBO ENTRADA AGUA	TUBE ENTREE EAU
24	432690	WATER INLET HOSE	TUBO ENTRADA AGUA	TUBE ENTREE EAU
25	411199	WATER INLET HOSE	TUBO ENTRADA AGUA	TUBE ENTRÉE EAU
26	156109	CLAMP 16-27	ABRAZADERA 16- 27 *	BRIDE 16-27
27	140525	CLAMP 2244-0	BRIDA UNEX 2244-0 *	BRIDE 2244-0
28	155150	HOSE CLIP ASFA-L W2 8-16	ABRAZADERA ASFA-L W2 8-16	COLLIER ASFA-L W2 8-16

N°	REF	DENOMINATION	DENOMINACIÓN	DENOMINATION
29	10003960	WATER DEFLECTOR	DEFLECTOR AGUA	DÉFLECTEUR EAU
30	165019	CAGED NUT M-6 0,5-1,5 R.310007-9	TUER.ENJ.M6 0,5-1,5 R.310007-9	*ECROU PRESIONER M-6 0,5-1,5 R.310007-9
31	150227	BICR HEX NUT DIN934-8 M6	TUER.EX.DIN934-8 B.TRI.M 6	ECROU HEX DIN934-8 BICR.M6
32	333682	ELECTROVALVE BRACKET	SOPORTE ELECTROVALVULAS	SUPPORT ELECTROVANNES
33	333708	VALVE EV220A G12 042U4022	CUERPO VAL.EV220A G12 042U4022	VANNE EV220A G12 042U4022
34	333716	COIL AB 5W 12V CC 042N0806	BOBINA AB 5W 12V CC 042N0806	BOBINE AB 5W 12V CC 042N0806
35	333690	FIG. 243 MI 1/2" BRASS	FIGURA 243 MI DE 1/2" LATON	FIG. 243 MI 1/2" LAITON
36	338152	ELECTROVALVE BRACKET	SOPORTE ELECTROVALVULAS	SUPPORT ELECTROVANNES
37	129494	ELBOW FIG 92 1/2" GALV	FIGURA 92 DE 1/2"AMAT GALV.	COUDE FIG 92 1/2" GALV
38	511212	4 TRACK ELECTROVALVE 389 180°C	ELECTROV.CUADRUPLE 389 180° *	ELECTROVANNE 4 VOIES 389 180°C
	156265	REGULATOR 3 L/MIN (BLACK)	REGULADOR DE 3 L/MIN. (NEGRO)	REGULATEUR 3 L/MIN (NOIR)
	510933	REGULATOR 4 L/MIN.RED	REGULADOR DE 4L/MIN.ROJO CLARO	REGULATEUR 4 L/MIN ROUGE
	300194	YELLOW CASE 30053	ESTUCHE AMARILLO 30053	BOITE JAUNE 30053
	300202	INTEGRAL GUIDE-MEMBRANE 30696	MEMBRANA-GUIA INTEGRAL 30696 *	MEMBRANE-GUIDE INTEGRALE 30696
	332296	COIL 255043000000 12VCC	BOBINA 255043000000 12VCC	BOBINE 255043000000 12VCC
39	333674	TRIPLE ELECTROVALVE 369 180°	ELECTROV.TRIPLE 369 180°12VCC*	ELECTROVANNE TRIPLE 369 180°
	300194	YELLOW CASE 30053	ESTUCHE AMARILLO 30053	BOITE JAUNE 30053
	300202	INTEGRAL GUIDE-MEMBRANE 30696	MEMBRANA-GUIA INTEGRAL 30696 *	MEMBRANE-GUIDE INTEGRALE 30696
	332296	COIL 255043000000 12VCC	BOBINA 255043000000 12VCC	BOBINE 255043000000 12VCC
40	146316	BICR.HEX SCREW DIN933-8 M-6X20	TOR.EX.DIN933-8.8 B.TRI.M 6X20	VIX HEX BICR.DIN933-8.8 M-6X20
41	341685	SPARE-PARTS KIT EV220A 12-14B	KIT REPUES.EV220A 12-14B *	KIT RECHANGES EV220A 12-14B
42	326587	WATER INLET AC DI12,5 L1,5M	TUBO ENTRADA AC DI12,5 L1,5M *	FLEXIBLE ENTRÉE AC DI12,5 L1,5
43	326579	WATER INLET AF DI12,5 L1,5M	TUBO ENTRADA AF DI12,5 L1,5M *	FLEXIBLE ENTRÉE AF DI12,5 L,5M
44	315614	CONICAL FILTER REF.4008-2-1	FILTRO CONICO REF.4008-2-1	FILTRE CONIQUE REF.4008-2-1
45	315317	FILTER BODY	CUERPO FILTRO	CORPS FILTRE
46	114348	GASKET D24XD13,5X2	JUNTA MIFLEX D24X13, 5X2 EPDM WRC 400105	JOINT D24XD13,5X2
		WITHOUT ILLUSTRATION	SIN ILUSTRACION	SANS ILLUSTRATION
	687699	THIRD WATER INLET KIT	KIT TERCERA ENTRADA AGUA H32	KIT TROISIEME ENTREE EAU



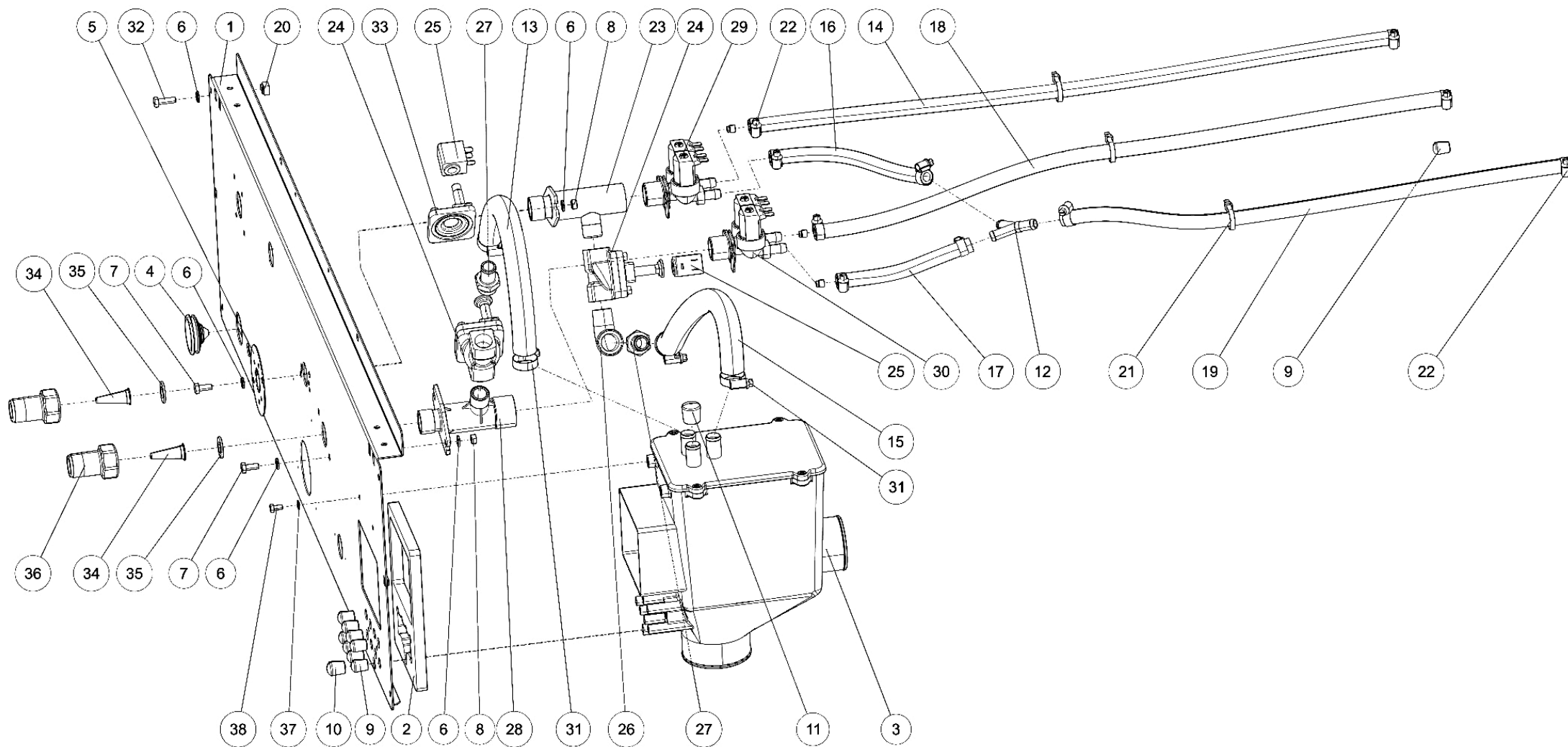
Nº	REF	DENOMINATION	DENOMINACIÓN	DENOMINATION
1	10066744	REAR PANEL	PANEL POSTERIOR	PANNEAU ARRIÈRE
2	10003960	WATER DEFLECTOR	DEFLECTOR AGUA	DÉFLECTEUR EAU
3	333658	DISTRIBUTOR	DISTRIBUIDOR	DISTRIBUTEUR
4	139683	CONE ECPC-6	CONO HIMEL ECPC-6	CONE ECPC-6
5	606939	FIXING PLATE VALVE	CHAPA FIJACION VALVULA	PLATEAU FIXATION VANNE
6	149526	BICR.WASHER B DIN125-ST 6,4	ARAN.B DIN125-ST B.TRI. 6,4	RONDELLE B DIN125-ST BICR.6,4
7	146233	BICR.HEX SCREW DIN933-8 M6X15	TOR.EX.DIN933-8.8 B.TRI.M 6X15	VIS HEX DIN933-8.8 BICR.M6X15
8	150227	BICR HEX NUT DIN934-8 M6	TUER.EX.DIN934-8 B.TRI.M 6	ECROU HEX DIN934-8 BICR.M6
9	149534	BICR.WASHER B DIN125-ST 5,3	ARAN.B DIN125-ST BICR. 5,3	RONDELLE B BICR.DIN125-ST 5,3
10	146274	BICR.HEX SCREW DIN933-8 M-5X10	TOR.EX.DIN933-8.8 B.TRI.M 5X10	VIS HEX.BICR.DIN933-8.8 M-5X10
11	156679	CONICAL END-PIECE R-16 D10	TOPE CONICO REPRIMSA R-16 D10	BOUCHON CONIQUE R-16 D10
12	357624	CONICAL END-PECE R-16 D12	TOPE CONICO REPRIMSA R-16 D12	BOUCHON CONIQUE R-16 D12
13	152165	BRANCH	BIFURCACION	BIFURCATION
14	429852	WATER INLET HOSE	TUBO ENTRADA AGUA	TUBE ENTREE EAU
15	411199	WATER INLET HOSE	TUBO ENTRADA AGUA	TUBE ENTRÉE EAU
16	427229	WATER INLET HOSE	TUBO ENTRADA AGUA	TUBE ENTREE EAU
17	410613	WATER INLET HOSE	TUBO ENTRADA AGUA	TUBE ENTRÉE EAU
18	427187	WATER INLET HOSE	TUBO ENTRADA AGUA	TUBE ENTREE EAU
19	411124	WATER INLET HOSE	TUBO ENTRADA AGUA	TUBE ENTREE EAU
20	411124	WATER INLET HOSE	TUBO ENTRADA AGUA	TUBE ENTREE EAU
21	411132	WATER INLET HOSE	TUBO ENTRADA AGUA	TUBE ENTREE EAU
22	411389	WATER INLET HOSE	TUBO ENTRADA AGUA	TUBE ENTREE EAU
23	165019	CAGED NUT M-6 0,5-1,5 R.310007-9	TUER.ENJ.M6 0,5-1,5 R.310007-9	*ECROU PRESIONER M-6 0,5-1,5 R.310007-9
24	140525	CLAMP 2244-0	BRIDA UNEX 2244-0 *	BRIDE 2244-0
25	155150	HOSE CLIP ASFA-L W2 8-16	ABRAZADERA ASFA-L W2 8-16	COLLIER ASFA-L W2 8-16
26	552133	ELECTROVALVE BRACKET	SOPORTE ELECTROVALVULAS	SUPPORT ELECTROVANNES
27	333708	VALVE EV220A G12 042U4022	CUERPO VAL.EV220A G12 042U4022	VANNE EV220A G12 042U4022
28	333716	COIL AB 5W 12V CC 042N0806	BOBINA AB 5W 12V CC 042N0806	BOBINE AB 5W 12V CC 042N0806

N°	REF	DENOMINATION	DENOMINACIÓN	DENOMINATION
29	129494	ELBOW FIG 92 1/2" GALV	FIGURA 92 DE 1/2"AMAT GALV.	COUDE FIG 92 1/2" GALV
30	333690	FIG. 243 MI 1/2" BRASS	FIGURA 243 MI DE 1/2" LATON	FIG. 243 MI 1/2" LAITON
31	333682	ELECTROVALVE BRACKET	SOPORTE ELECTROVALVULAS	SUPPORT ELECTROVANNES
32	511212	4 TRACK ELECTROVALVE 389 180°C	ELECTROV.CUADRUPLE 389 180° *	ELECTROVANNE 4 VOIES 389 180°C
	156265	REGULATOR 3 L/MIN (BLACK)	REGULADOR DE 3 L/MIN. (NEGRO)	REGULATEUR 3 L/MIN (NOIR)
	510933	REGULATOR 4 L/MIN.RED	REGULADOR DE 4L/MIN.ROJO CLARO	REGULATEUR 4 L/MIN ROUGE
	300194	YELLOW CASE 30053	ESTUCHE AMARILLO 30053	BOITE JAUNE 30053
	300202	INTEGRAL GUIDE-MEMBRANE 30696	MEMBRANA-GUIA INTEGRAL 30696 *	MEMBRANE-GUIDE INTEGRALE 30696
	332296	COIL 255043000000 12VCC	BOBINA 255043000000 12VCC	BOBINE 255043000000 12VCC
33	338152	ELECTROVALVE BRACKET	SOPORTE ELECTROVALVULAS	SUPPORT ELECTROVANNES
34	156109	CLAMP 16-27	ABRAZADERA 16- 27 *	BRIDE 16-27
35	323329	SIMPLE ELECTROVALVE 329 180	ELECTROV.SIMPLE 329 180	ELECTROVANNE SIMPLE 329 180
	300194	YELLOW CASE 30053	ESTUCHE AMARILLO 30053	BOITE JAUNE 30053
	300202	INTEGRAL GUIDE-MEMBRANE 30696	MEMBRANA-GUIA INTEGRAL 30696 *	MEMBRANE-GUIDE INTEGRALE 30696
	332296	COIL 255043000000 12VCC	BOBINA 255043000000 12VCC	BOBINE 255043000000 12VCC
36	341685	SPARE-PARTS KIT EV220A 12-14B	KIT REPUES.EV220A 12-14B *	KIT RECHANGES EV220A 12-14B
37	326587	WATER INLET AC DI12,5 L1,5M	TUBO ENTRADA AC DI12,5 L1,5M *	FLEXIBLE ENTRÉE AC DI12,5 L1,5
38	326579	WATER INLET AF DI12,5 L1,5M	TUBO ENTRADA AF DI12,5 L1,5M *	FLEXIBLE ENTRÉE AF DI12,5 L,5M
39	315614	CONICAL FILTER REF.4008-2-1	FILTRO CONICO REF.4008-2-1	FILTRE CONIQUE REF.4008-2-1
40	315317	FILTER BODY	CUERPO FILTRO	CORPS FILTRE
41	114348	GASKET D24XD13,5X2	JUNTA MIFLEX D24X13, 5X2 EPDM WRC 400105	JOINT D24XD13,5X2



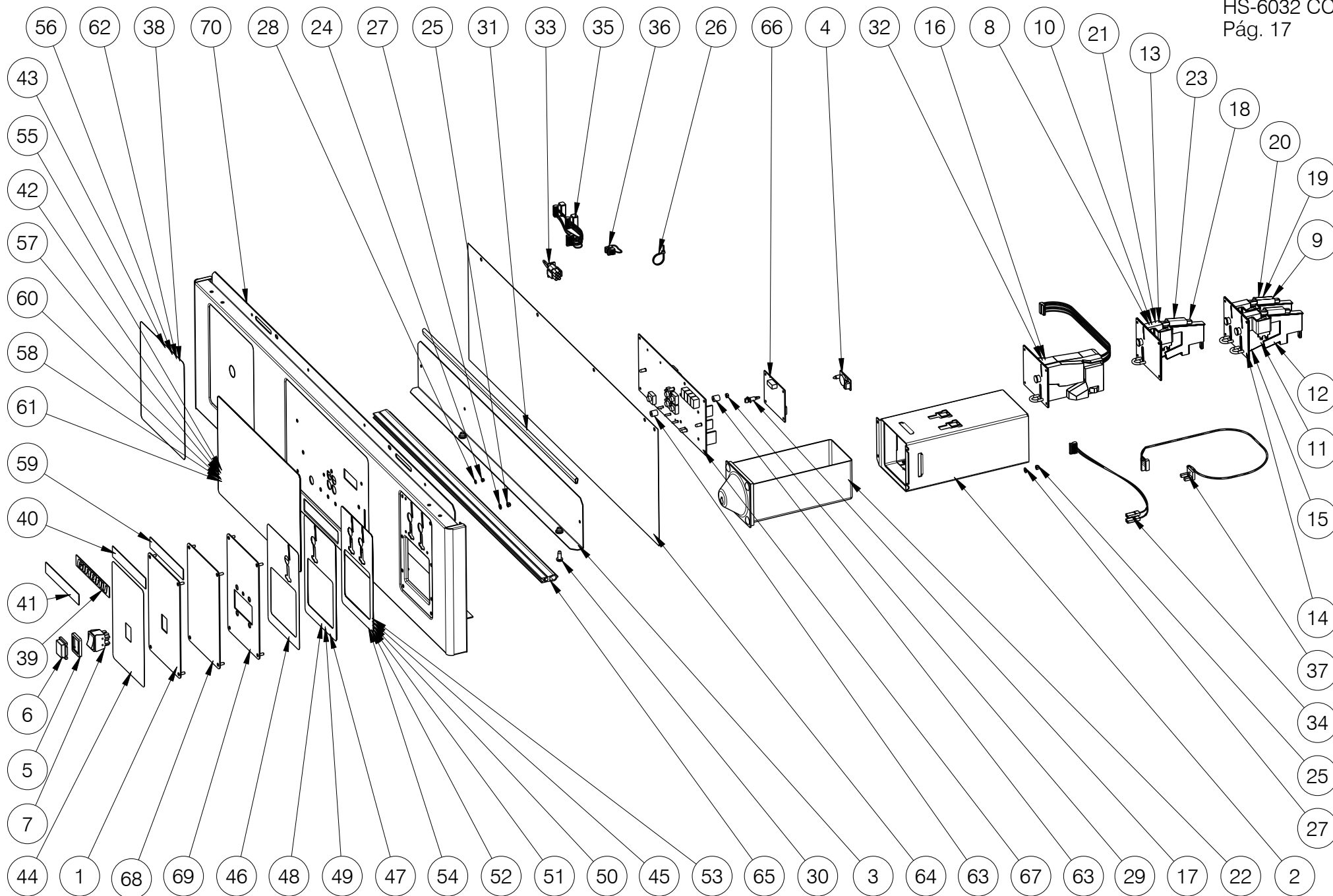
Nº	REF	DENOMINATION	DENOMINACIÓN	DENOMINATION
1	10066744	REAR PANEL	PANEL POSTERIOR	PANNEAU ARRIÈRE
2	10003960	WATER DEFLECTOR	DEFLECTOR AGUA	DÉFLECTEUR EAU
3	339689	DISTRIBUTOR	DISTRIBUIDOR	DISTRIBUTEUR
4	139683	CONE ECPC-6	CONO HIMEL ECPC-6	CONE ECPC-6
5	606939	FIXING PLATE VALVE	CHAPA FIJACION VALVULA	PLATEAU FIXATION VANNE
6	149526	BICR.WASHER B DIN125-ST 6,4	ARAN.B DIN125-ST B.TRI. 6,4	RONDELLE B DIN125-ST BICR.6,4
7	146233	BICR.HEX SCREW DIN933-8 M6X15	TOR.EX.DIN933-8.8 B.TRI.M 6X15	VIS HEX DIN933-8.8 BICR.M6X15
8	150227	BICR HEX NUT DIN934-8 M6	TUER.EX.DIN934-8 B.TRI.M 6	ECROU HEX DIN934-8 BICR.M6
9	149476	BICR.WASHER B DIN125-ST 4,3	ARAN.B DIN125-ST B.TRI. 4,3	RONDELLE B DIN125-ST BICR.4,3
10	146258	BIC.HEX SCREW DIN933-4.8 M4X10	TOR.EX.DIN933-4.8 B.TRI.M 4X10	VIS HEX DIN933-4.8 BICR.M 4X10
11	149534	BICR.WASHER B DIN125-ST 5,3	ARAN.B DIN125-ST BICR. 5,3	RONDELLE B BICR.DIN125-ST 5,3
12	146274	BICR.HEX SCREW DIN933-8 M-5X10	TOR.EX.DIN933-8.8 B.TRI.M 5X10	VIS HEX.BICR.DIN933-8.8 M-5X10
13	156679	CONICAL END-PIECE R-16 D10	TOPE CONICO REPRIMSA R-16 D10	BOUCHON CONIQUE R-16 D10
14	357624	CONICAL END-PECE R-16 D12	TOPE CONICO REPRIMSA R-16 D12	BOUCHON CONIQUE R-16 D12
15	152165	BRANCH	BIFURCACION	BIFURCATION
16	429852	WATER INLET HOSE	TUBO ENTRADA AGUA	TUBE ENTREE EAU
17	453712	WATER INLET HOSE	TUBO ENTRADA AGUA	TUBE ENTREE EAU
18	430934	WATER INLET HOSE	TUBO ENTRADA AGUA	TUBE ENTREE EAU
19	410613	WATER INLET HOSE	TUBO ENTRADA AGUA	TUBE ENTRÉE EAU
20	427187	WATER INLET HOSE	TUBO ENTRADA AGUA	TUBE ENTREE EAU
21	411124	WATER INLET HOSE	TUBO ENTRADA AGUA	TUBE ENTREE EAU
22	211771	WATER INLET HOSE	TUBO ENTRADA AGUA	TUBE ENTREE EAU
23	165019	CAGED NUT M-6 0,5-1,5 R.310007-9	TUER.ENJ.M6 0,5-1,5 R.310007-9	*ECROU PRESIONER M-6 0,5-1,5 R.310007-9
24	140525	CLAMP 2244-0	BRIDA UNEX 2244-0 *	BRIDE 2244-0
25	155150	HOSE CLIP ASFA-L W2 8-16	ABRAZADERA ASFA-L W2 8-16	COLLIER ASFA-L W2 8-16
26	333682	ELECTROVALVE BRACKET	SOPORTE ELECTROVALVULAS	SUPPORT ELECTROVANNES
27	333708	VALVE EV220A G12 042U4022	CUERPO VAL.EV220A G12 042U4022	VANNE EV220A G12 042U4022
28	333716	COIL AB 5W 12V CC 042N0806	BOBINA AB 5W 12V CC 042N0806	BOBINE AB 5W 12V CC 042N0806

N°	REF	DENOMINATION	DENOMINACIÓN	DENOMINATION
29	333690	FIG. 243 MI 1/2" BRASS	FIGURA 243 MI DE 1/2" LATON	FIG. 243 MI 1/2" LAITON
30	156109	CLAMP 16-27	ABRAZADERA 16- 27 *	BRIDE 16-27
31	511022	THREE TRACK ELECTROVALVE	ELECTROVALVULA TRES VIAS	ELECTROVANNE TROIS VOIES
	510933	REGULATOR 4 L/MIN.RED	REGULADOR DE 4L/MIN.ROJO CLARO	REGULATEUR 4 L/MIN ROUGE
	300194	YELLOW CASE 30053	ESTUCHE AMARILLO 30053	BOITE JAUNE 30053
	300202	INTEGRAL GUIDE-MEMBRANE 30696	MEMBRANA-GUIA INTEGRAL 30696 *	MEMBRANE-GUIDE INTEGRALE 30696
	332296	COIL 255043000000 12VCC	BOBINA 255043000000 12VCC	BOBINE 255043000000 12VCC
32	521294	DOUBLE ELECTROVALVE	ELECTROVALVULA DOS VIAS	ELECTROVANNE DOUBLE
	156265	REGULATOR 3 L/MIN (BLACK)	REGULADOR DE 3 L/MIN. (NEGRO)	REGULATEUR 3 L/MIN (NOIR)
	156257	REGULATOR 8 L/MIN (RED)	REGULADOR DE 8 L/MIN. (ROJO)	REGULATEUR 8 L/MIN (ROUGE)
	300194	YELLOW CASE 30053	ESTUCHE AMARILLO 30053	BOITE JAUNE 30053
	300202	INTEGRAL GUIDE-MEMBRANE 30696	MEMBRANA-GUIA INTEGRAL 30696 *	MEMBRANE-GUIDE INTEGRALE 30696
	332296	COIL 255043000000 12VCC	BOBINA 255043000000 12VCC	BOBINE 255043000000 12VCC
33	146316	BICR.HEX SCREW DIN933-8 M-6X20	TOR.EX.DIN933-8.8 B.TRI.M 6X20	VIX HEX BICR.DIN933-8.8 M-6X20
34	341685	SPARE-PARTS KIT EV220A 12-14B	KIT REPUES.EV220A 12-14B *	KIT RECHANGES EV220A 12-14B
35	315309	FILTER BODY	CUERPO FILTRO	CORPS FILTRE
36	315614	CONICAL FILTER REF.4008-2-1	FILTRO CONICO REF.4008-2-1	FILTRE CONIQUE REF.4008-2-1
37	114348	GASKET D24XD13,5X2	JUNTA MIFLEX D24X13, 5X2 EPDM WRC 400105	JOINT D24XD13,5X2



Nº	REF	DENOMINATION	DENOMINACIÓN	DENOMINATION
1	10066744	REAR PANEL	PANEL POSTERIOR	PANNEAU ARRIÈRE
2	10003960	WATER DEFLECTOR	DEFLECTOR AGUA	DÉFLECTEUR EAU
3	333658	DISTRIBUTOR	DISTRIBUIDOR	DISTRIBUTEUR
4	139683	CONE ECPC-6	CONO HIMEL ECPC-6	CONE ECPC-6
5	606939	FIXING PLATE VALVE	CHAPA FIJACION VALVULA	PLATEAU FIXATION VANNE
6	149526	BICR.WASHER B DIN125-ST 6,4	ARAN.B DIN125-ST B.TRI. 6,4	RONDELLE B DIN125-ST BICR.6,4
7	146233	BICR.HEX SCREW DIN933-8 M6X15	TOR.EX.DIN933-8.8 B.TRI.M 6X15	VIS HEX DIN933-8.8 BICR.M6X15
8	150227	BICR HEX NUT DIN934-8 M6	TUER.EX.DIN934-8 B.TRI.M 6	ECROU HEX DIN934-8 BICR.M6
9	156679	CONICAL END-PIECE R-16 D10	TOPE CONICO REPRIMSA R-16 D10	BOUCHON CONIQUE R-16 D10
10	357624	CONICAL END-PECE R-16 D12	TOPE CONICO REPRIMSA R-16 D12	BOUCHON CONIQUE R-16 D12
11	156687	CONICAL END-PIECE R-16 D16	TOPE CONICO REPRIMSA R-16 D16	ARRET CONIQUE R-16 D16
12	152165	BRANCH	BIFURCACION	BIFURCATION
13	429852	WATER INLET HOSE	TUBO ENTRADA AGUA	TUBE ENTREE EAU
14	411132	WATER INLET HOSE	TUBO ENTRADA AGUA	TUBE ENTREE EAU
15	427229	WATER INLET HOSE	TUBO ENTRADA AGUA	TUBE ENTREE EAU
16	410613	WATER INLET HOSE	TUBO ENTRADA AGUA	TUBE ENTRÉE EAU
17	427187	WATER INLET HOSE	TUBO ENTRADA AGUA	TUBE ENTREE EAU
18	411132	WATER INLET HOSE	TUBO ENTRADA AGUA	TUBE ENTREE EAU
19	411389	WATER INLET HOSE	TUBO ENTRADA AGUA	TUBE ENTREE EAU
20	165019	CAGED NUT M-6 0,5-1,5 R.310007-9	TUER.ENJ.M6 0,5-1,5 R.310007-9	*ECROU PRESIONER M-6 0,5-1,5 R.310007-9
21	140525	CLAMP 2244-0	BRIDA UNEX 2244-0 *	BRIDE 2244-0
22	155150	HOSE CLIP ASFA-L W2 8-16	ABRAZADERA ASFA-L W2 8-16	COLLIER ASFA-L W2 8-16
23	552133	ELECTROVALVE BRACKET	SOPORTE ELECTROVALVULAS	SUPPORT ELECTROVANNES
24	333708	VALVE EV220A G12 042U4022	CUERPO VAL.EV220A G12 042U4022	VANNE EV220A G12 042U4022
25	333716	COIL AB 5W 12V CC 042N0806	BOBINA AB 5W 12V CC 042N0806	BOBINE AB 5W 12V CC 042N0806
26	129494	ELBOW FIG 92 1/2" GALV	FIGURA 92 DE 1/2"AMAT GALV.	COUDE FIG 92 1/2" GALV
27	333690	FIG. 243 MI 1/2" BRASS	FIGURA 243 MI DE 1/2" LATON	FIG. 243 MI 1/2" LAITON
28	333682	ELECTROVALVE BRACKET	SOPORTE ELECTROVALVULAS	SUPPORT ELECTROVANNES

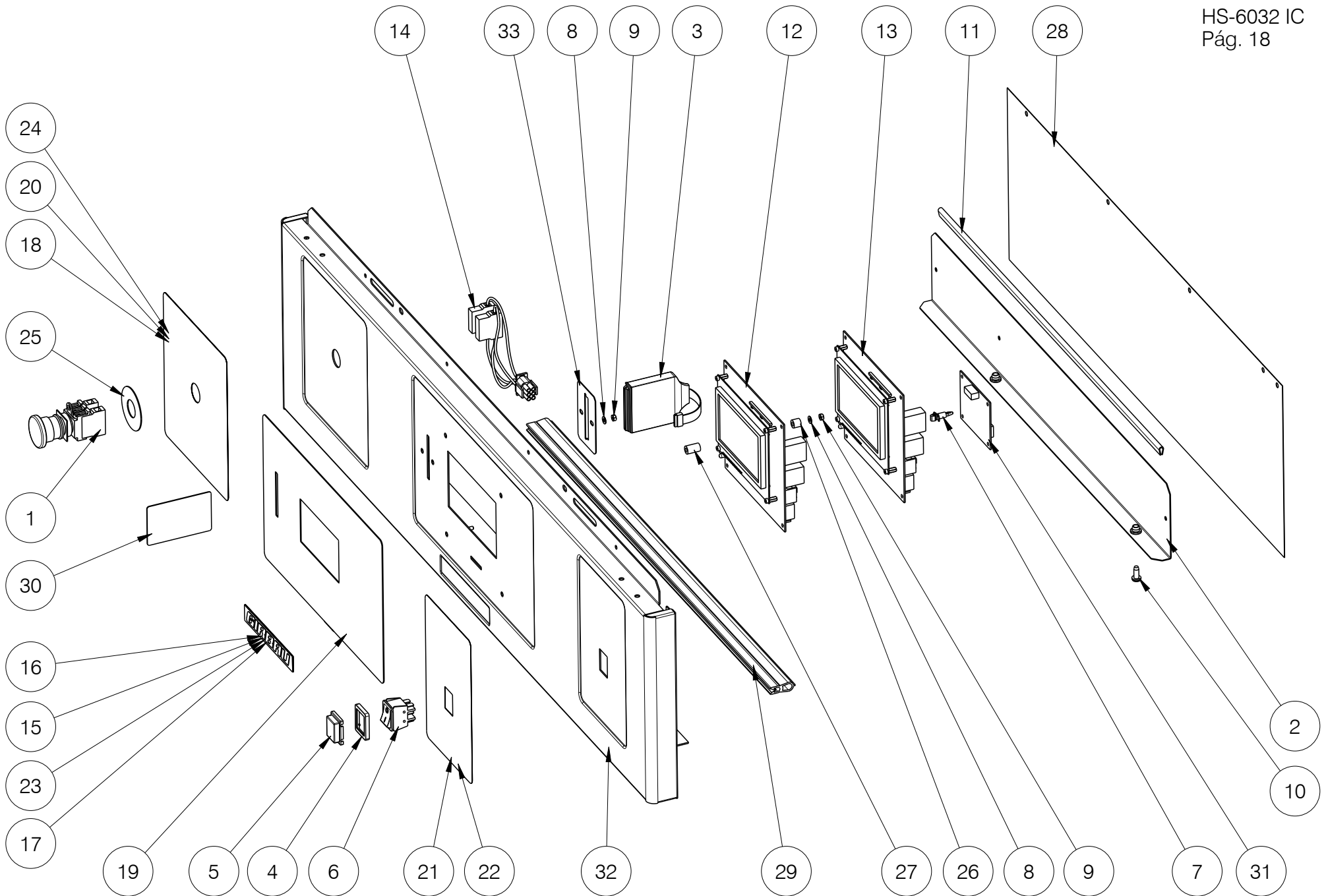
Nº	REF	DENOMINATION	DENOMINACIÓN	DENOMINATION
29	511089	DOUBLE ELECTROVALVE	ELECTROVALVULA DOS VIAS	ELECTROVANNE DOUBLE
	510933	REGULATOR 4 L/MIN.RED	REGULADOR DE 4L/MIN.ROJO CLARO	REGULATEUR 4 L/MIN ROUGE
	300194	YELLOW CASE 30053	ESTUCHE AMARILLO 30053	BOITE JAUNE 30053
	300202	INTEGRAL GUIDE-MEMBRANE 30696	MEMBRANA-GUIA INTEGRAL 30696 *	MEMBRANE-GUIDE INTEGRALE 30696
	332296	COIL 255043000000 12VCC	BOBINA 255043000000 12VCC	BOBINE 255043000000 12VCC
30	521294	DOUBLE ELECTROVALVE	ELECTROVALVULA DOS VIAS	ELECTROVANNE DOUBLE
	156265	REGULATOR 3 L/MIN (BLACK)	REGULADOR DE 3 L/MIN. (NEGRO)	REGULATEUR 3 L/MIN (NOIR)
	156257	REGULATOR 8 L/MIN (RED)	REGULADOR DE 8 L/MIN. (ROJO)	REGULATEUR 8 L/MIN (ROUGE)
	300194	YELLOW CASE 30053	ESTUCHE AMARILLO 30053	BOITE JAUNE 30053
	300202	INTEGRAL GUIDE-MEMBRANE 30696	MEMBRANA-GUIA INTEGRAL 30696 *	MEMBRANE-GUIDE INTEGRALE 30696
	332296	COIL 255043000000 12VCC	BOBINA 255043000000 12VCC	BOBINE 255043000000 12VCC
31	156109	CLAMP 16-27	ABRAZADERA 16- 27 *	BRIDE 16-27
32	146316	BICR.HEX SCREW DIN933-8 M-6X20	TOR.EX.DIN933-8.8 B.TRI.M 6X20	VIX HEX BICR.DIN933-8.8 M-6X20
33	341685	SPARE-PARTS KIT EV220A 12-14B	KIT REPUES.EV220A 12-14B *	KIT RECHANGES EV220A 12-14B
34	315614	CONICAL FILTER REF.4008-2-1	FILTRO CONICO REF.4008-2-1	FILTRE CONIQUE REF.4008-2-1
35	114348	GASKET D24XD13,5X2	JUNTA MIFLEX D24X13, 5X2 EPDM WRC 400105	JOINT D24XD13,5X2
36	315309	FILTER BODY	CUERPO FILTRO	CORPS FILTRE
37	149534	BICR.WASHER B DIN125-ST 5,3	ARAN.B DIN125-ST BICR. 5,3	RONDELLE B BICR.DIN125-ST 5,3
38	146274	BICR.HEX SCREW DIN933-8 M-5X10	TOR.EX.DIN933-8.8 B.TRI.M 5X10	VIS HEX.BICR.DIN933-8.8 M-5X10



N°	REF	DENOMINATION	DENOMINACIÓN	DENOMINATION
1	422998	SWITCH PLATE (WITH PUSH-BUTTON)	PLACA INTERRUPTOR (CON PULSADOR)	PLAQUE INTERRUPTEUR (AVEC BOUTON-POUSSOIR)
2	590570	COIN BOX SUPPORT	APOYO CAJON MONEDAS	APPUI BOITE MONNAIE
3	595694	CONTROL PANEL PROFILE	PERFIL PANEL DE MANDOS	PROFIL PANNEAU DE COMMANDES
4	322677	CLOCK CIRCUIT	CIRCUITO RELOJ	CIRCUIT HORLOGE
5	10552768	PROTECTIVE COVER FRAME	MARCO CUBIERTA PROTECTORA	CADRE DE COUVERTURE
6	10552784	PROTECTIVE COVER	CUBIERTA PROTECTORA	CUVERCLE DE PROTECTION
7	138339	PUSH-BUTTON C6061AL (WITH PUSH-BUTTON)	PULSADOR C6061AL * (CON PULSADOR)	BOUTON-POUSSOIR C6061AL (AVEC BOUTON-POUSSOIR)
8	323642	COIN-METER F60.11 0,25USD	MONEDERO F60.11 0,25USD	MONNAYEUR F60.11 0,25USD
9	323659	COIN-METER F60.1 0,25/1,00USD	MONEDERO F60.1 0,25/1,00USD	MONNAYEUR F60.1 0,25/1,00USD
10	323733	COIN-METER F60.11W2000-TOKEN G	MONEDERO F60.11 FICHA GIRBAU *	MONNAYEUR F60.11W2000 JETON GI
11	323741	COIN-METER F60.1 0,20/2,00EUR	MONEDERO F60.1 0,20/2,00EUR	MONNAYEUR F60.1 0,20/2,00EUR
12	326769	COIN-METER F60.1 0,50/1,00 GBP	MONEDERO F60.1 0,50/1,00GBP *	MONNAYEUR F60.1 0,50/1,00 GBP
13	326777	COIN-METER F60.11 100YEN	MONEDERO F60.11 100YEN *	MONNAYEUR F60.11 100YEN
14	326835	COIN-METER F60.1 1,00/5,00ILS	MONEDERO F60.1 1,00/5,00ILS *	MONNAYEUR F60.1 1,00/5,00 ILS
15	326892	COIN-METER F60.1 0,25/1,00CAD	MONEDERO F60.1 0,25/1,00CAD	MONNAYEUR F60.1 0,25/1,00CAD
16	327353	COIN-METER EMP 500 EUROS	MONEDERO EMP 500 EUROS	MONNAYEUR EMP 500 EUROS
17	332809	CIRCUIT BRACKET LCBS-4-7-01	SOPORTE CIRCUITO LCBS-4-7-01	SUPPORT CIRCUIT LCBS-4-7-01
18	344622	COIN-METER F60.11 10NTD	MONEDERO F60.11 10NTD *	MONNAYEUR F60.11 10NTD
19	354035	COINMETER F60.1 10/50 NTD	MONEDERO F60.1 10/50NTD *	MONNAYEUR F60.1 10/50 NTD
20	431007	COINMETER F60.1 100/500 JPY	MONEDERO F60.1 100/500 JPY *	MONNAYEUR F60.1 100/500 JPY
21	524157	COIN-METER F60.11 500 WON	MONEDERO F60.11 500 WON*	MONNAYEUR F60.11 500 WON
22	591586	COIN BOX UG800C	CAJA MONEDAS UG800C *	BOITE MONNAIE UG800C
23	10098655	COIN METER F60.11 TOKEN ECO MALAYSIA	MONEDERO F60.11 FICHA ECO MALASIA	MONNAYEUR F60.11 JETON ECO MALASIA
24	129692	SELF-LOCKING NUT DIN985-8 B.TRI.M 3	TUER.AUTOBL.DIN985-8 B.TRI.M 3	ECROU AUTOBLOCANT DIN985-8 B.TRI.M 3
25	132043	SELF-LOCKING NUT DIN985-8 B.TRI.M 4	TUER.AUTOBL.DIN985-8 B.TRI.M 4	ECROU AUTOBLOCANT DIN985-8 B.TRI.M 4
26	140434	CLAMP 2221	BRIDA UNEX 2221 *	BRIDE 2221
27	149476	BICR.WASHER B DIN125-ST 4,3	ARAN.B DIN125-ST B.TRI. 4,3	RONDELLE B DIN125-ST BICR.4,3

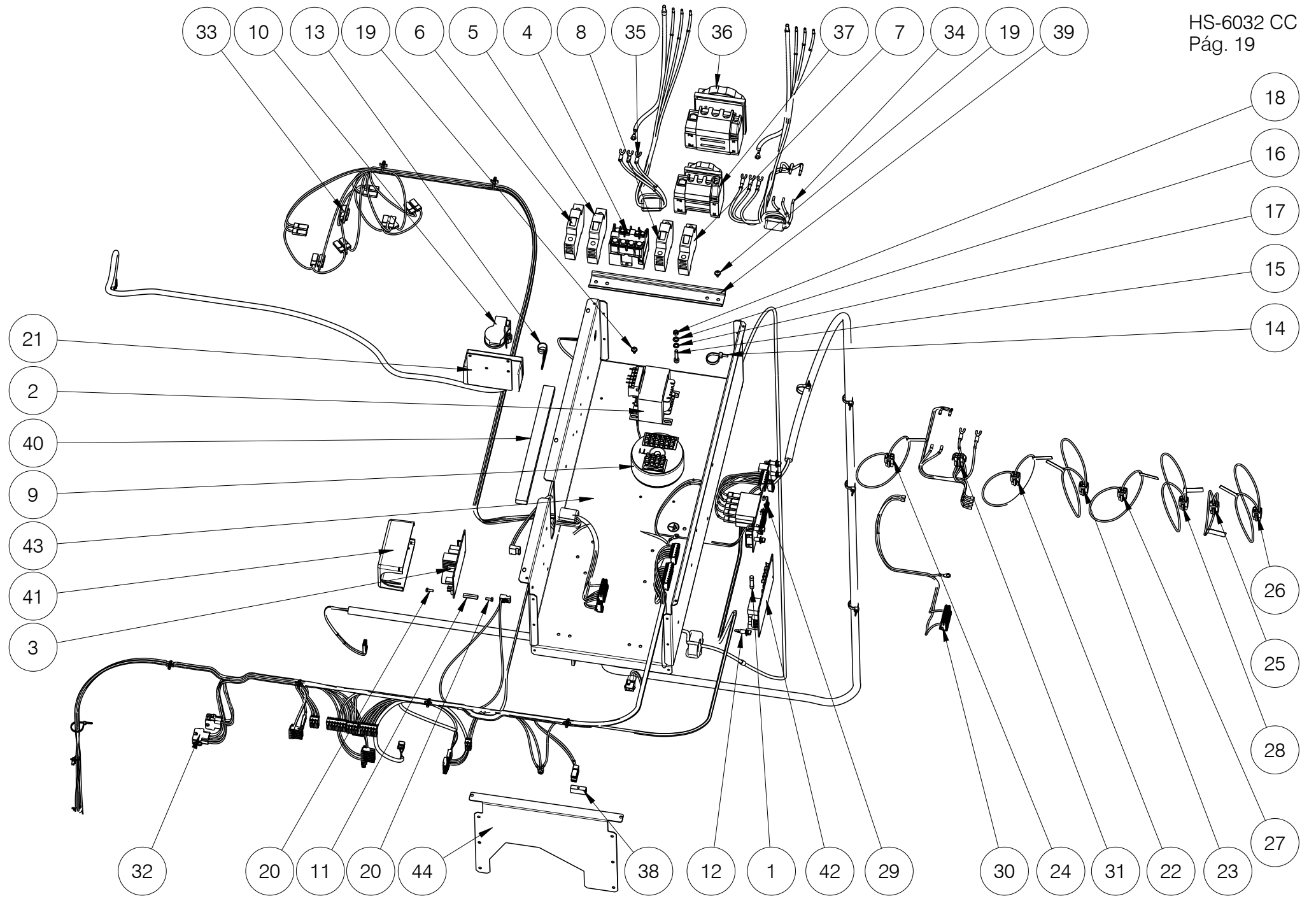
Nº	REF	DENOMINATION	DENOMINACIÓN	DENOMINATION
28	149484	WASHER DIN 125B M3 ST TRIVALENT	ARANDELA DIN 125B M3 ST TRIVALENTE	RONDELLE DIN 125B M3 ST TRIVALENT
29	150185	BICR.HEX.NUT DIN934-8 M4	TUER.EX.DIN934-8 B.TRI.M 4	ECROU HEX.DIN934-8 BICR.M4
30	333294	SCREW T25 AR.18ESTR.M 6X15 INOX	TORNILLO ALOM.T25 M 6X15 INOX(ESPECIA	VIS T25 AR.18ESTR.M 6X15 INOX
31	192021	PROFILE	ENCUADERNADOR P (NEGRO) 2MT.	PROFILE
32	411223	COIN-METER EMP 500 NOT EUROS	MONEDERO EMP 500 NO EUROS	MONNAYEUR EMP 500 NO EUROS
33	341990	EMERGENCY STOP PLUG	CONECTORA PARO EMERGENCIA	CONNECTEUR ARRET EMERGENCE
34	411678	COIN-METER PLUG (WITH PUSH-BUTTON)	CONECTORA MONEDERO (CON PULSADOR)	CONNECTEUR MONNAYEUR (AVEC BOUTON-POUSSOIR)
35	621060	COIN VENDING-VN ELEC. INST.	INST. ELEC. MONEDERO-VENDING VN	INST. ELEC. COIN-VENDING VN
36	10029643	IDENTIFICATION CONNECTOR	CONECTORA IDENTIFICACIÓN	CONNECTEUR IDENTIFICATION
37	322461	COIN-METER 1 PLUG	CONECTORA 1 MONEDERO	CONNECTEUR 1 MONNAYEUR
38	303693	SAFETY INSTR.LABEL EN (FOR USA AND CANADA ONLY)	ETIQUETA INSTR. SEGURIDAD EN (SOLO PARA USA Y CANADA)	ETIQUETTE INSTR.SECURITE EN (SEULEMENT POUR USA ET CANADA)
39	326074	PLATE GIRBAU	PLACA GIRBAU	PLAQUE GIRBAU
40	326082	PLATE CONTINENTAL GIRBAU	PLACA CONTINENTAL GIRBAU	PLAQUE CONTINENTAL GIRBAU
41	327023	PLATE VIKING	PLACA VIKING	PLAQUE VIKING
42	342857	WASHER-EXTRACTOR PLATE CC JA (FOR JAPAN)	CARATULA LAVADORA CC JA (SOLO JAPON)	PLAQUE LAVEUSE CC JA (SEULEMENT JAPON)
43	343053	SAFETY INSTR.LABEL JA (FOR JAPAN)	ETIQUETA INSTR. SEGURIDAD JA (SOLO JAPON)	ETIQUETTE INSTR.SECURITE JA (SEULEMENT JAPON)
44	429878	START-STOP LABEL CP (WITH PUSH-BUTTON)	ETIQUETA MARCHA-PARO CP (CON PULSADOR)	ETIQUETTE MARCHE-ARRET CP (AVEC BOUTON-POUSSOIR)
45	592717	COINMETER LABEL CC-MD USD	ETIQUETA MONEDERO CC-MD USD	ETIQUETTE MONNAYEUR CC-MD USD
46	592725	COINMETER LABEL CC-MU	ETIQUETA MONEDERO CC-MU	ETIQUETTE MONNAYEUR CC-MU
47	592733	COINMETER LABEL CC-MS-FG	ETIQUETA MONEDERO CC-MS-FG	ETIQUETTE MONNAYEUR CC-MS-FG
48	592741	COINMETER LABEL CC-MS YEN	ETIQUETA MONEDERO CC-MS YEN	ETIQUETTE MONNAYEUR CC-MS YEN
49	592758	COINMETER LABEL CC-MS-25C	ETIQUETA MONEDERO CC-MS-25C	ETIQUETTE MONNAYEUR CC-MS-25C
50	592766	COINMETER LABEL CC-MD YEN	ETIQUETA MONEDERO CC-MD YEN	ETIQUETTE MONNAYEUR CC-MD YEN
51	592774	COINMETER LABEL CC-MD NTD	ETIQUETA MONEDERO CC-MD NTD	ETIQUETTE MONNAYEUR CC-MD NTD
52	592782	COINMETER LABEL CC-MD NIS	ETIQUETA MONEDERO CC-MD NIS	ETIQUETTE MONNAYEUR CC-MD NIS
53	592790	COINMETER LABEL CC-MD GBP	ETIQUETA MONEDERO CC-MD GBP	ETIQUETTE MONNAYEUR CC-MD GBP

N°	REF	DENOMINATION	DENOMINACIÓN	DENOMINATION
54	592808	COINMETER LABEL CC-MD EUR	ETIQUETA MONEDERO CC-MD EUR	ETIQUETTE MONNAYEUR CC-MD EUR
55	593517	COIN CONTROL EXTRA OP. WASHER KEYBOARD (FOR PROFITPLUS CONTROL MOD.) (FOR USA AND CANADA ONLY)	TECLADO LAVADORA CC EXTRA OP. (PARA MOD. PROFITPLUS CONTROL) (SOLO PARA USA Y CANADA)	CLAVIER LAVEUSE COIN CONTROL EXTRA OP. (POUR MOD. PROFITPLUS CONTROL) (SEULEMENT POUR USA ET CANADA)
56	614677	SAFETY INSTR.LABEL KO (ONLY KOREA)	ETIQUETA INSTR. SEGURIDAD KO (SOLO COREA)	ETIQUETTE INSTR.SECURITE KO (SEULEMENT CORÉE)
57	10017002	CC WASHER KEYBOARD	TECLADO LAVADORA CC	CLAVIER LAVEUSE CC
58	10019461	CC EXTRA OP. WASHER KEYBOARD KO (FOR PROFITPLUS CONTROL MOD.) (ONLY KOREA)	TECLADO LAVADORA CC EXTRA OP. KO (PARA MOD. PROFITPLUS CONTROL) (SOLO COREA)	CLAVIER LAVEUSE CC EXTRA OP. KO (POUR MOD. PROFITPLUS CONTROL) (SEULEMENT CORÉE)
59	10065415	PLATE POSEIDON	PLACA POSEIDON	PLAQUE POSEIDON
60	10065480	CC EXTRA OP. WASHER KEYBOARD (FOR PROFITPLUS CONTROL MOD.) (EXCEPT FOR USA AND CANADA)	TECLADO LAVADORA CC EXTRA OP. (PARA MOD. PROFITPLUS CONTROL) (EXCEPTO PARA USA Y CANADA)	CLAVIER LAVEUSE CC EXTRA OP. (POUR MOD. PROFITPLUS CONTROL) (SAUF POUR USA ET CANADA)
61	10552263	WASHER-EXTRACTOR PLATE CC KO (ONLY KOREA)	CARATULA LAVADORA CC KO (SOLO COREA)	PLAQUE LAVEUSE CC KO (SEULEMENT CORÉE)
62	10568681	LABEL	ETIQUETA	ÉTIQUETTE
63	587782	MICRO BOARD SPACER	SEPARADOR PLACA MICRO	SEPARATEUR PLAQUE MICRO
64	614305	MICRO BOARD PROTECTION	PROTECCION PLACA MICRO	PROTECTION PLAQUE MICRO
65	10021681	LATERAL PROFILE L=695	PERFIL LATERAL L=695	PROFILE LATERAL L=695
66	565895	COMMUNICATION BOARD COM-C *	PLACA COMUNICACIONES COM-C *	PLAQUE COMMUNICATIONS COM-C/609164
67	594481	MICROP. BOARD MS-6 LC/CC	PLACA MICROP.MS-6 LC/CC	PLAQUE MICROP. MS-6 LC/CC
68	428656	BLIND PLATE	PLACA CIEGA	PLAQUE AVEUGLE
69	433532	CARD READER PLATE	PLACA LECTOR TARJETA	PLAQUE LECTEUR CARTE
70	10103786	CONTROL PANEL WITHOUT ILLUSTRATION	PANEL MANDOS SIN ILUSTRACION	PANNEAU COMMANDES SANS ILLUSTRATION
	796839	VENDING VN SERIE 6 SET	KIT VENDING VN SERIE 6	KIT VENDING VN SERIE 6
	630426	KIT PROFIT PLUS RMS613/17/23/HS-6024	KIT PROFIT PLUS RMS613/17/23/HS-6024	KIT PROFIT PLUS RMS613/17/23/HS-6024



Nº	REF	DENOMINATION	DENOMINACIÓN	DENOMINATION
1	341511	EMERGENCY STOP IC	PARO EMERGENCIA IC	ARRET EMERGENCE IC
2	595694	CONTROL PANEL PROFILE	PERFIL PANEL DE MANDOS	PROFIL PANNEAU DE COMMANDES
3	10006237	INTELI CARD SOCKET ASSEMBLY	CONJUNTO ZÓCALO TARJETA INTELI	ENSEMBLE LOGEMENT CARTE INTELI
4	10552768	PROTECTIVE COVER FRAME	MARCO CUBIERTA PROTECTORA	CADRE DE COUVERTURE
5	10552784	PROTECTIVE COVER	CUBIERTA PROTECTORA	CUVERCLE DE PROTECTION
6	587519	SWITCH C1550AL	INTERRUPTOR C1550AL	INTERRUPTEUR C1550AL
7	332809	CIRCUIT BRACKET LCBS-4-7-01	SOPORTE CIRCUITO LCBS-4-7-01	SUPPORT CIRCUIT LCBS-4-7-01
8	149476	BICR.WASHER B DIN125-ST 4,3	ARAN.B DIN125-ST B.TRI. 4,3	RONDELLE B DIN125-ST BICR.4,3
9	150185	BICR.HEX.NUT DIN934-8 M4	TUER.EX.DIN934-8 B.TRI.M 4	ECROU HEX.DIN934-8 BICR.M4
10	333294	SCREW T25 AR.18ESTR.M 6X15 INOX	TORNILLO ALOM.T25 M 6X15 INOX(ESPECIA	VIS T25 AR.18ESTR.M 6X15 INOX
11	192021	PROFILE	ENCUADERNADOR P (NEGRO) 2MT.	PROFILE
12	506808	SCREEN KIT LCD IC	CONJUNTO PANTALLA LCD IC	ENSEMBLE ÉCRAN LCD IC
13	10373991	MICROPROCESSOR BOARD IC ALLWET	PLACA MICROPROCESADOR IC ALLWET	CARTE MICROPROCESSEUR IC ALLWET
14	342014	EMERGENCY STOP PLUG	CONECTORA PARO EMERGENCIA	CONNECTEUR ARRET EMERGENCE
15	326074	PLATE GIRBAU	PLACA GIRBAU	PLAQUE GIRBAU
16	326082	PLATE CONTINENTAL GIRBAU	PLACA CONTINENTAL GIRBAU	PLAQUE CONTINENTAL GIRBAU
17	327023	PLATE VIKING	PLACA VIKING	PLAQUE VIKING
18	338020	SAFETY INSTR.LABEL EN (FOR USA AND CANADA ONLY)	ETIQUETA INSTR. SEGURIDAD EN (SOLO PARA USA Y CANADA)	ETIQUETTE INSTR.SECURITE EN (SEULEMENT POUR USA ET CANADA)
19	338046	IC WASHER EXTRACTOR KEYBOARD	TECLADO LAVADORA IC	CLAVIER MACHINE A LAVER IC
20	343046	SAFETY INSTR.LABEL JA (FOR JAPAN)	ETIQUETA INSTR. SEGURIDAD JA (SOLO JAPON)	ETIQUETTE INSTR.SECURITE JA (SEULEMENT JAPON)
21	587816	START-STOP LABEL	ETIQUETA MARCHA-PARO	ETIQUETTE MARCHE-ARRET
22	590356	START-STOP LABEL JA (FOR JAPAN)	ETIQUETA MARCHA-PARO JA (SOLO JAPON)	ETIQUETTE MARCHE-ARRET JA (SEULEMENT JAPON)
23	10065415	PLATE POSEIDON	PLACA POSEIDON	PLAQUE POSEIDON
24	10699163	LABEL	ETIQUETA	ÉTIQUETTE
25	192294	YELLOW RING	ARO AMARILLO	BAGUE JAUNE
26	322768	MICRO BOARD SEPARATOR	SEPARADOR PLACA MICRO	SEPARATEUR PLAQUE MICRO
27	595678	MICRO BOARD SEPARATOR	SEPARADOR PLACA MICRO	SEPARATEUR PLAQUE MICRO

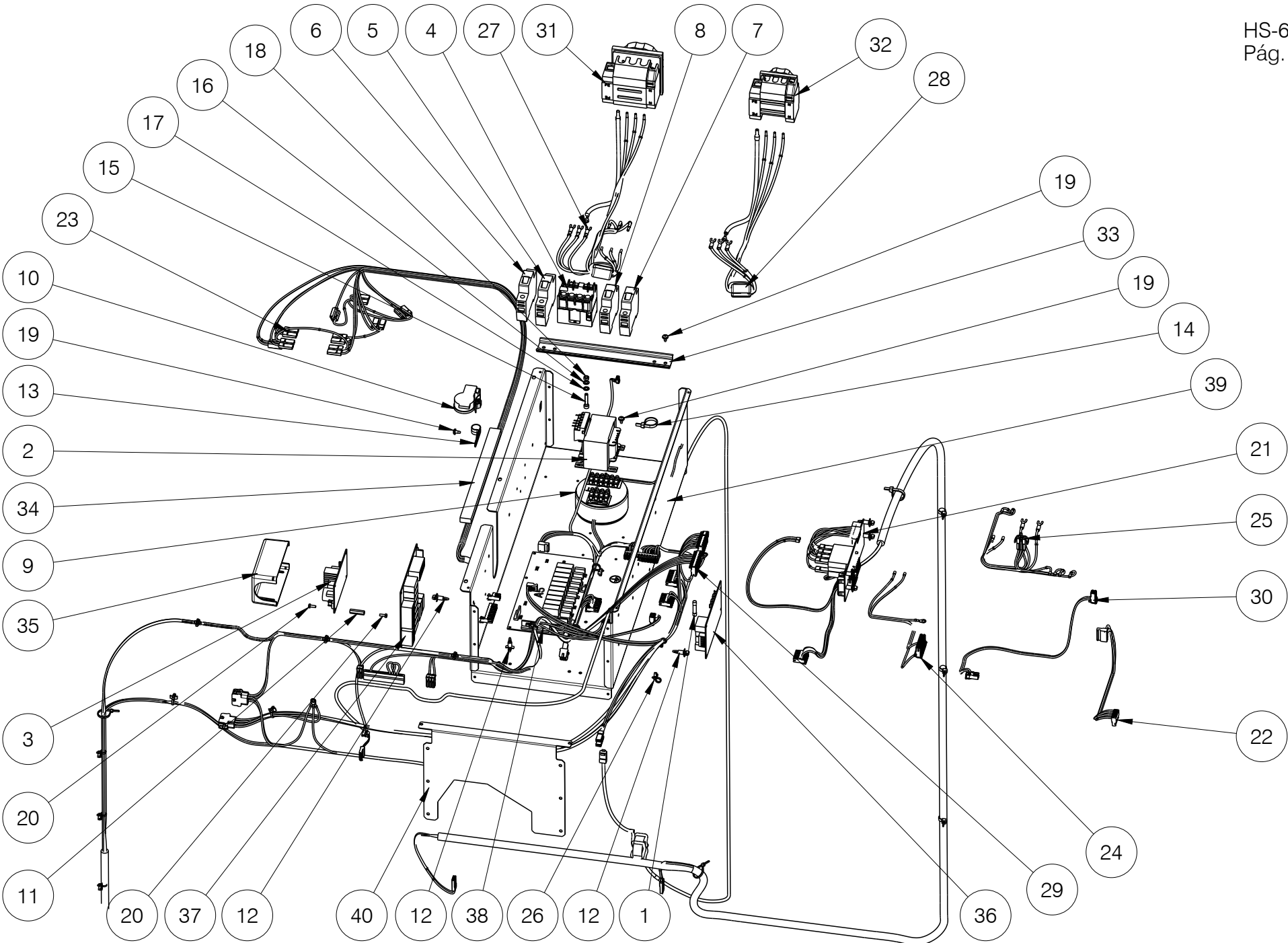
N°	REF	DENOMINATION	DENOMINACIÓN	DENOMINATION
28	614305	MICRO BOARD PROTECTION	PROTECCION PLACA MICRO	PROTECTION PLAQUE MICRO
29	10021681	LATERAL PROFILE L=695	PERFIL LATERAL L=695	PROFILE LATERAL L=695
30	340539	INTELI SMARTCARD CARD	TARJETA SMARTCARD INTELI	CARTE SMARTCARD INTELI
31	565895	COMMUNICATION BOARD COM-C *	PLACA COMUNICACIONES COM-C *	PLAQUE COMMUNICATIONS COM-C/609164
32	10067080	CONTROL PANEL	PANEL MANDOS	PANNEAU COMMANDES
33	423020	CARD FIXING-PIECE SMARTCARD	FIJACION TARJETA SMARTCARD	FIXATION TARGETTE SMARTCARD



N°	REF	DENOMINATION	DENOMINACIÓN	DENOMINATION
1	319152	FUSE SPT 0001.2521 0,5A	CART.FUSIB.SPT 0001.2521 0,5A*	CARTOUCHE FUSIBLE SPT
2	320218	TRANSFORMER IP 100 VA (FOR 380V-400V-415V-440V-480V) (FOR (440+480)V)	TRANSFORMADOR IP00 100VA CSA * (PARA 380V-400V-415V-440V-480V) (PARA (440+480)V)	TRANSFORMATEUR IP00 100 VA (POUR 380V-400V-415V-440V-480V) (POUR (440+480)V)
3	332718	POWER SOURCE MW PS-25-12	FUENTE ALIMENT.MW PS-25-12	FONT ALIMENT.MW PS-25-12
4	357921	RELAY OMRON G7Z-3A1B-20Z 12VDC	RELE OMRON G7Z-3A1B-20Z 12VDC	RELAIS OMRON G7Z-3A1B-20Z 12VDC
5	518167	AUTOMATIC SWITCH 1A (FOR 200V-208V-220V-230V-240V) (FOR (208+240)V)	INTERRUPTOR AUT. 1A CURVA D* (PARA 200V-208V-220V-230V-240V) (PARA (208+240)V)	INTERRUPTEUR AUT.1A (POUR 200V-208V-220V-230V-240V) (POUR (208+240)V)
6	544411	AUTOMATIC SWITCH 0,5A (FOR 380V-400V-415V-440V-480V) (FOR (440+480)V)	INTERRUPTOR AUT. 0,5A CURVA D* (PARA 380V-400V-415V-440V-480V) (PARA (440+480)V)	INTERRUPTEUR AUT.0,5A (POUR 380V-400V-415V-440V-480V) (POUR (440+480)V)
7	544429	AUTOMATIC SWITCH 10A (FOR MACHINES ELECTR.HEATING) (FOR 380V-400V-415V)	INTERRUPTOR AUT. 10A CURVA D* (PARA MODELOS CALEFAC.ELECTR.) (PARA 380V-400V-415V)	INTERRUPTEUR AUT.10A (POUR MACHINES CHAUF.ELECTR.) (POUR 380V-400V-415V)
8	564872	AUTOMATIC SWITCH 16A CURVE D (FOR MACHINES ELECTR.HEATING) (FOR 200V-208V-220V-230V-240V) (FOR (208+240)V)	INTERRUPTOR AUT. 16A CURVA D* (PARA MODELOS CALEFAC.ELECTR.) (PARA 200V-208V-220V-230V-240V) (PARA (208+240)V)	INTERRUPTEUR AUTOMATIQUE 16A COURBE D (POUR MACHINES CHAUF.ELECTR.) (POUR 200V-208V-220V-230V-240V) (POUR (208+240)V)
9	10014439	TRANSFORMER 100VA 2x115V * (FOR 200V-208V-220V-230V-240V) (FOR (208+240)V)	TRANSFORMADOR 100VA 2x115V * (PARA 200V-208V-220V-230V-240V) (PARA (208+240)V)	TRANSFORMATEUR 100VA 2x115V * (POUR 200V-208V-220V-230V-240V) (POUR (208+240)V)
10	322784	PRESSURE TRANSMITTER 400.95100	TRANSM.PRESION HUBA 400.95100	PRESSOSTAT HUBA 400.95100
11	322685	SEPARATOR HEX.HS6-8	SEPARADOR EXAGONAL HS6-8	SEPARATEUR HEX. HS6-8
12	332809	CIRCUIT BRACKET LCBS-4-7-01	SOPORTE CIRCUITO LCBS-4-7-01	SUPPORT CIRCUIT LCBS-4-7-01
13	140418	CLAMP UNEX REF 1201	BRIDA UNEX 1201	BRIDE UNEX REF 1201
14	140525	CLAMP 2244-0	BRIDA UNEX 2244-0 *	BRIDE 2244-0
15	144295	BICR.SCREW ALLEN912-8.8 M 5X25	TOR.ALLDIN912-8.8 B.TRI.M 5X25	VIS ALLDIN912-8.8 BICR.M 5X 25
16	149534	BICR.WASHER B DIN125-ST 5,3	ARAN.B DIN125-ST BICR. 5,3	RONDELLE B BICR.DIN125-ST 5,3
17	149724	BICR EXT.TOOT.WASH.DIN6798 M5	ARAN.DEN.EXT.B.TRI.DIN6798 M 5	RONDEL DEN.EX.BICR.DIN6798 M5
18	150177	BICR HEX NUT DIN934-8 M5	TUER.EX.DIN934-8 B.TRI.M 5	ECROU HEX DIN934-8 BIC.M5
19	183400	PLATE SCREW ST-4, 20 P.F. C/AL.T25	TORNILLO CHAPA ST-4 (ESPECIAL)*	VIS PLAQUE ST-4, 20 P.F. C/AL.T25
20	322693	SCREW PT KN35X10 WN1412	TORNILLO PT KN35X10 WN1412 (ESPECIAL)	VIS PT KN35X10 WN1412
21	439232	VENDING VN ASSEMBLY (VENDING ONLY)	CAJA VENDING VN (SOLO VENDING)	ENSEMBLE VENDING VN (SEULEMENT VENDING)

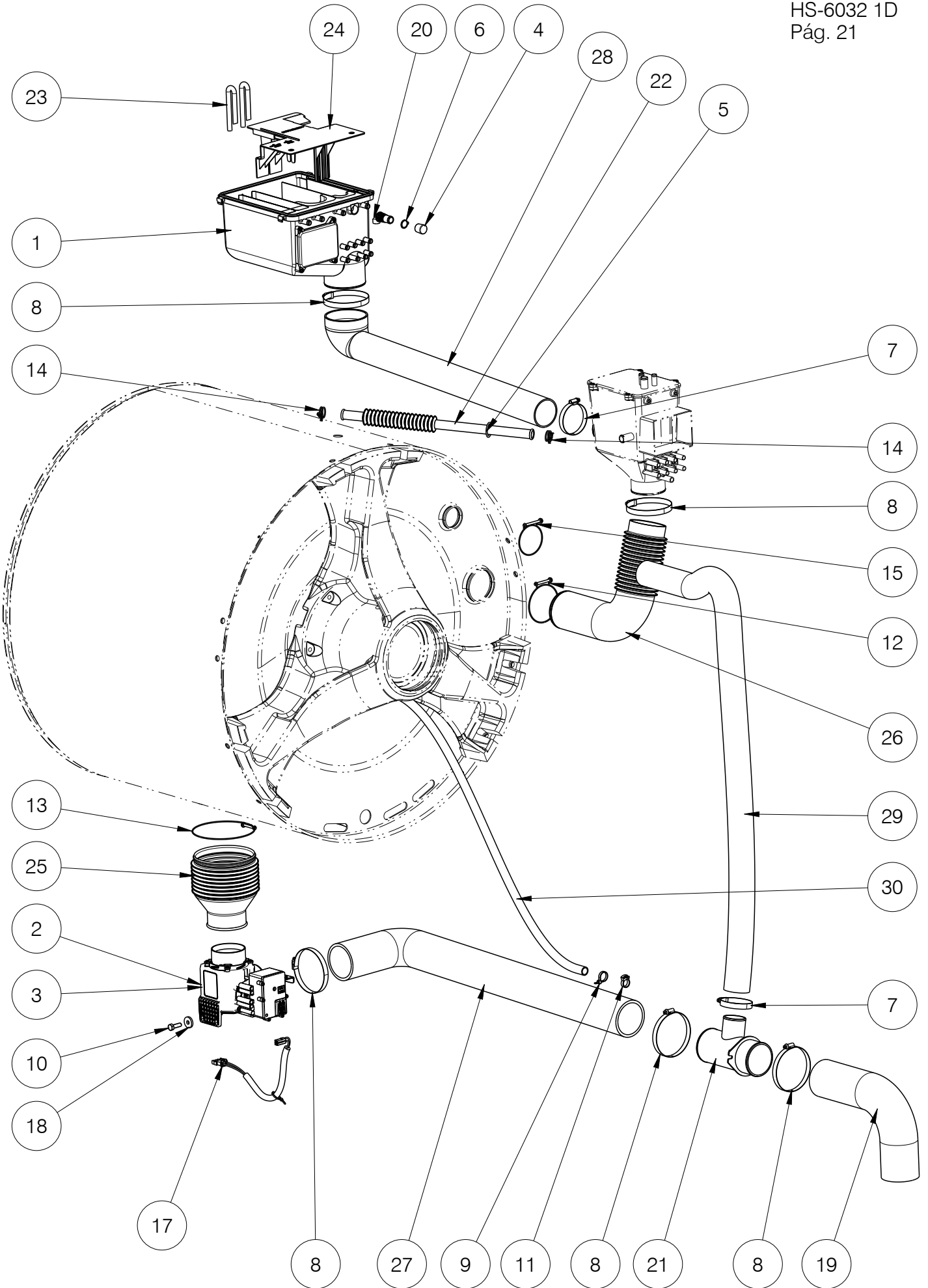
Nº	REF	DENOMINATION	DENOMINACIÓN	DENOMINATION
22	10102994	VOLTAGE CONNECTOR 200V-208V (FOR 200V-208V)	CONECTORA VOLTAJE 200V-208V (PARA 200V-208V)	CONNECTEUR DE TENSION 200V-208V (POUR 200V-208V)
23	10104370	VOLTAGE CONNECTOR 220V-230V-240V (FOR 220V-230V-240V)	CONECTORA VOLTAJE 220V-230V-240V (PARA 220V-230V-240V)	CONNECTEUR DE TENSION 220V-230V-240V (POUR 220V-230V-240V)
24	10104511	VOLTAGE CONNECTOR 380V-400V (FOR 380V-400V)	CONECTOR VOLTAJE 380V-400V (PARA 380V-400V)	CONNECTEUR DE TENSION 380V-400V (POUR 380V-400V)
25	10104529	VOLTAGE CONNECTOR 415V (FOR 415V)	CONECTORA VOLTAJE 415V (PARA 415V)	CONNECTEUR DE TENSION 415V (POUR 415V)
26	10104545	VOLTAGE CONNECTOR 440V-480V (FOR 440-480V)	CONECTORA VOLTAJE 440V-480V (PARA 440-480V)	CONNECTEUR DE TENSION 440V-480V (POUR 440-480V)
27	10115905	VOLTAGE CONNECTOR 208V (FOR USA AND CANADA ONLY) (FOR 208V)	CONECTORA VOLTAJE 208V (SOLO PARA USA Y CANADA) (PARA 208V)	CONNECTEUR DE TENSION 208V (SEULEMENT POUR USA ET CANADA) (POUR 208V)
28	10116028	VOLTAGE CONNECTOR 240V (FOR USA AND CANADA ONLY) (FOR 240V)	CONECTORA VOLTAJE 240V (SOLO PARA USA Y CANADA) (PARA 240V)	CONNECTEUR DE TENSION 240V (SEULEMENT POUR USA ET CANADA) (POUR 240V)
29	10314789	A7 ELECTRICAL WIRING (COIN CTRL MODELS ONLY) (2 DRAINS)	INSTALACIÓN ELÉCTRICA A7 (PARA MODELOS A COIN CONTROL) (2 DESAGÜES)	INSTALLATION ÉLECTRIQUE A7 (POUR MODELE COIN CONTROL) (2 VIDANGES)
	321125	FUSE SPT 1 A	CART.FUSIB.SPT 0001.2524 1 A*	CARTOUCHE FUS. SPT 1 A
	341586	FUSE COVER	CUBRE FUSIBLE *	COUVRE FUSIBLE
	10316487	DOUBLE DRAIN ELECTRICAL INSTALLATION	INSTALACIÓN ELÉCTRICA DOBLE DESAGÜE	INSTALLATION ELECTRIQUE VIDANGE DOUBLE
	10031037	ELECTRICAL INSTALLATION 3EA RECOVERY	INSTALACIÓN ELÉCTRICA 3EA RECUPERADOR	INSTALLATION ÉLECTRIQUE 3EA RÉCUPÉRATION
30	10003580	TRANSFORMER ELECRICAL WIRING	INSTALACIÓN ELÉCTRICA TRANSFORMADOR	INSTALLATION ÉLECTRIQUE TRANSFORMATEUR
31	10003788	TRANSFORMER ELECRICAL WIRING	INSTALACIÓN ELÉCTRICA TRANSFORMADOR	INSTALLATION ÉLECTRIQUE TRANSFORMATEUR
32	10071660	ELECTRICAL INSTALLATION	INSTALACIÓN ELÉCTRICA	INSTALLATION ÉLECTRIQUE
33	10071678	ELECTROVALVES ELECTRICAL INSTALLATION	INSTALACIÓN ELÉCTRICA ELECTROVALVULAS	INSTALLATION ÉLECTRIQUE ELECTROVANNES
34	10094423	ELECTRICAL INSTALATION RELAY INLET (FOR MACHINES ELECTR.HEATING)	INSALACIÓN ELÉCTRICA ENTRADA RELÉ (PARA MODELOS CALEFAC.ELECTR.)	INSTALLATION ÉLECTRIQUE ENTREE RELAIS (POUR MACHINES CHAUF.ELECTR.)
35	10110922	ELECTRICAL INSTALATION RELAY INLET (FOR MOD. HOT WATER/STEAM)	INSALACIÓN ELÉCTRICA ENTRADA RELÉ (PARA MOD.AGUA CALIENTE/VAPOR)	INSTALLATION ÉLECTRIQUE ENTREE RELAIS (POUR MOD.EAU CHAUDE/VAPEUR)
36	344168	SECTION SWITCH 63A (FOR MACHINES ELECTR.HEATING)	INTERRUPTOR SECCIONADOR 63A (PARA MODELOS CALEFAC.ELECTR.)	INTERRUPTEUR SECTIONNEUR 63A (POUR MACHINES CHAUF.ELECTR.)
37	344176	SECTION SWITCH 32A (FOR MOD. HOT WATER/STEAM)	INTERRUPTOR SECCIONADOR 32A (PARA MOD.AGUA CALIENTE/VAPOR)	INTERRUPTEUR SECTIONNEUR 32A (POUR MOD.EAU CHAUDE/VAPEUR)
38	182469	CONNECTION-BOARD E-ST-1	REGLETA E-ST-1 (1 ELEMENTO)	REGLETTE E-ST-1 (1 ELEMENT)

N°	REF	DENOMINATION	DENOMINACIÓN	DENOMINATION
39	245571	CONTACTOR FIXING PROFILE	PERFIL FIJACION CONTACTORES	PROFILE FIXATION CONTACTEURS
40	439000	COVER ABSORBER PROFILE	PERFIL AMORTIGUADOR TAPA	PROFILE AMORTISSEUR COUVERCLE
41	326843	MICROPROCESSOR PLATE COVER	TAPA PLACA MICROPROCESADOR	COUVERCLE PLAQUE MICROPROSSEUR
42	332395	AUXILIARY BOARD HS-60**	PLACA AUXILIAR HS-60**	PLAQUE AUXILIAIRE HS-60**
43	10053585	WIRING BOX	CAJA INSTALACIÓN	BOÎTIER DE RACCORDEMENT
44	10740884	BOX REINFORCEMENT	REFUERZO CAJA	RENFORT CAISSE



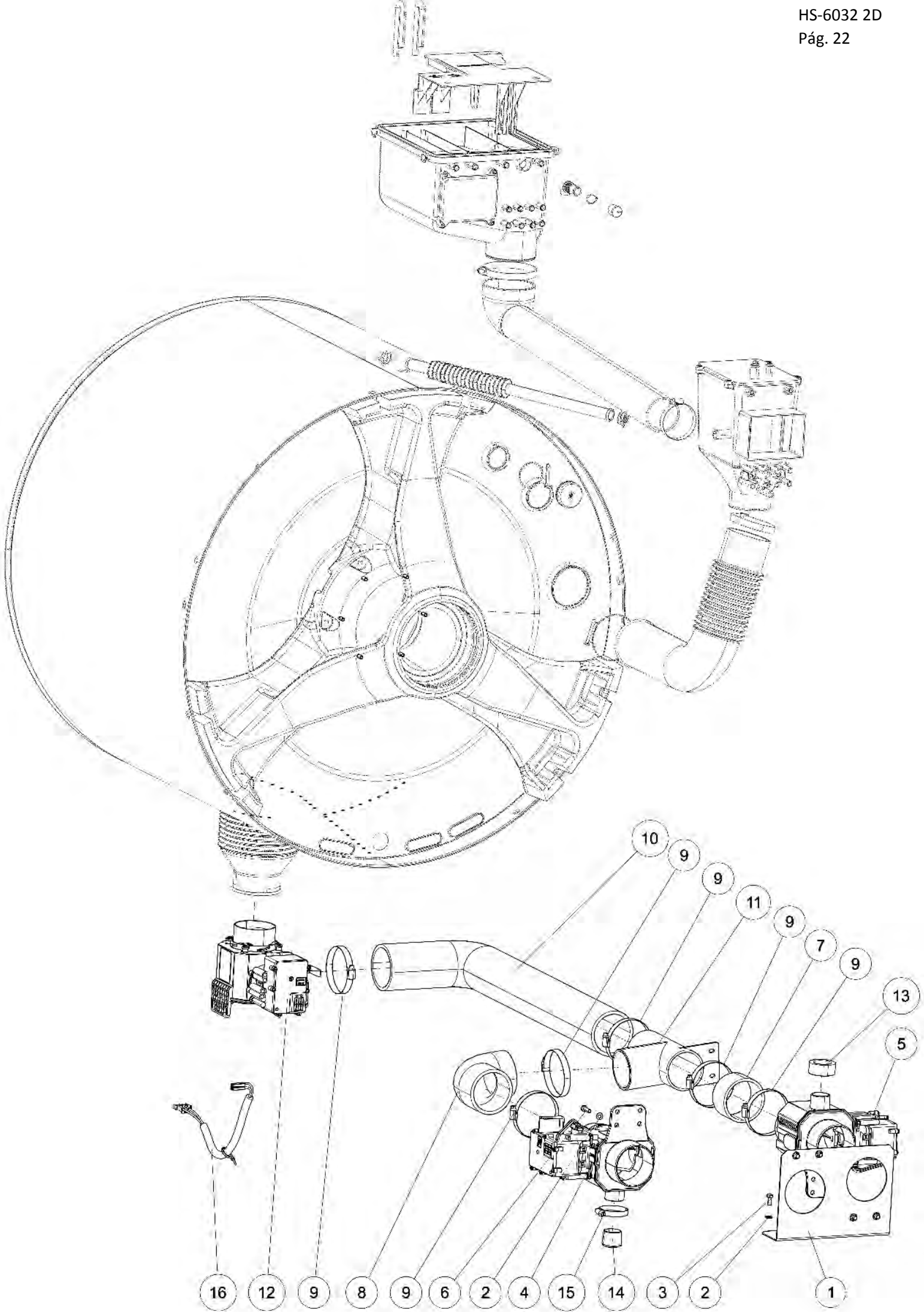
N°	REF	DENOMINATION	DENOMINACIÓN	DENOMINATION
1	319152	FUSE SPT 0001.2521 0,5A	CART.FUSIB.SPT 0001.2521 0,5A*	CARTOUCHE FUSIBLE SPT
2	320218	TRANSFORMER IP 100 VA (FOR 380V-400V-415V-440V-480V) (FOR (440+480)V)	TRANSFORMADOR IP00 100VA CSA * (PARA 380V-400V-415V-440V-480V) (PARA (440+480)V)	TRANSFORMATEUR IP00 100 VA (POUR 380V-400V-415V-440V-480V) (POUR (440+480)V)
3	332718	POWER SOURCE MW PS-25-12	FUENTE ALIMENT.MW PS-25-12	FONT ALIMENT.MW PS-25-12
4	357921	RELAY OMRON G7Z-3A1B-20Z 12VDC	RELE OMRON G7Z-3A1B-20Z 12VDC	RELAIS OMRON G7Z-3A1B-20Z 12VDC
5	518167	AUTOMATIC SWITCH 1A (FOR 200V-208V-220V-230V-240V) (FOR (208+240)V)	INTERRUPTOR AUT. 1A CURVA D* (PARA 200V-208V-220V-230V-240V) (PARA (208+240)V)	INTERRUPTEUR AUT.1A (POUR 200V-208V-220V-230V-240V) (POUR (208+240)V)
6	544411	AUTOMATIC SWITCH 0,5A (FOR 380V-400V-415V-440V-480V) (FOR (440+480)V)	INTERRUPTOR AUT. 0,5A CURVA D* (PARA 380V-400V-415V-440V-480V) (PARA (440+480)V)	INTERRUPTEUR AUT.0,5A (POUR 380V-400V-415V-440V-480V) (POUR (440+480)V)
7	544429	AUTOMATIC SWITCH 10A (FOR MACHINES ELECTR.HEATING) (FOR 380V-400V-415V)	INTERRUPTOR AUT. 10A CURVA D* (PARA MODELOS CALEFAC.ELECTR.) (PARA 380V-400V-415V)	INTERRUPTEUR AUT.10A (POUR MACHINES CHAUF.ELECTR.) (POUR 380V-400V-415V)
8	564872	AUTOMATIC SWITCH 16A CURVE D (FOR MACHINES ELECTR.HEATING) (FOR 200V-208V-220V-230V-240V) (FOR (208+240)V)	INTERRUPTOR AUT. 16A CURVA D* (PARA MODELOS CALEFAC.ELECTR.) (PARA 200V-208V-220V-230V-240V) (PARA (208+240)V)	INTERRUPTEUR AUTOMATIQUE 16A COURBE D (POUR MACHINES CHAUF.ELECTR.) (POUR 200V-208V-220V-230V-240V) (POUR (208+240)V)
9	10014439	TRANSFORMER 100VA 2x115V * (FOR 200V-208V-220V-230V-240V) (FOR (208+240)V)	TRANSFORMADOR 100VA 2x115V * (PARA 200V-208V-220V-230V-240V) (PARA (208+240)V)	TRANSFORMATEUR 100VA 2x115V * (POUR 200V-208V-220V-230V-240V) (POUR (208+240)V)
10	322784	PRESSURE TRANSMITTER 400.95100	TRANSM.PRESION HUBA 400.95100	PRESSOSTAT HUBA 400.95100
11	322685	SEPARATOR HEX.HS6-8	SEPARADOR EXAGONAL HS6-8	SEPARATEUR HEX. HS6-8
12	332809	CIRCUIT BRACKET LCBS-4-7-01	SOPORTE CIRCUITO LCBS-4-7-01	SUPPORT CIRCUIT LCBS-4-7-01
13	140418	CLAMP UNEX REF 1201	BRIDA UNEX 1201	BRIDE UNEX REF 1201
14	140525	CLAMP 2244-0	BRIDA UNEX 2244-0 *	BRIDE 2244-0
15	144295	BICR.SCREW ALLEN912-8.8 M 5X25	TOR.ALLDIN912-8.8 B.TRI.M 5X25	VIS ALLDIN912-8.8 BICR.M 5X 25
16	149534	BICR.WASHER B DIN125-ST 5,3	ARAN.B DIN125-ST BICR. 5,3	RONDELLE B BICR.DIN125-ST 5,3
17	149724	BICR EXT.TOOT.WASH.DIN6798 M5	ARAN.DEN.EXT.B.TRI.DIN6798 M 5	RONDEL DEN.EX.BICR.DIN6798 M5
18	150177	BICR HEX NUT DIN934-8 M5	TUER.EX.DIN934-8 B.TRI.M 5	ECROU HEX DIN934-8 BIC.M5
19	183400	PLATE SCREW ST-4, 20 P.F. C/AL.T25	TORNILLO CHAPA ST-4 (ESPECIAL)*	VIS PLAQUE ST-4, 20 P.F. C/AL.T25
20	322693	SCREW PT KN35X10 WN1412	TORNILLO PT KN35X10 WN1412 (ESPECIAL)	VIS PT KN35X10 WN1412

Nº	REF	DENOMINATION	DENOMINACIÓN	DENOMINATION
21	10007177	ELECTRICAL INSTALLATION PLATE A7 (2 DRAINS)	INSTALACIÓN ELÉCTRICA PLACA A7 (2 DESAGÜES)	INSTALLATION ÉLECTRIQUE PLAQUE A7 (2 VIDANGES)
	321125	FUSE SPT 1 A	CART.FUSIB.SPT 0001.2524 1 A*	CARTOUCHE FUS. SPT 1 A
	341586	FUSE COVER	CUBRE FUSIBLE *	COUVRE FUSIBLE
	10316487	DOUBLE DRAIN ELECTRICAL INSTALLATION	INSTALACIÓN ELÉCTRICA DOBLE DESAGÜE	INSTALLATION ELECTRIQUE VIDANGE DOUBLE
22	446542	INST. ELEC. CONEXION A5-A6	INST. ELEC. CONEXION A5-A6	INST. ELEC. CONEXION A5-A6
23	10000123	SOLENOID VALVES HARNESS	MAZO VÁLVULAS	FAISCEAU VALVES
24	10003580	TRANSFORMER ELECTRICAL WIRING	INSTALACIÓN ELÉCTRICA TRANSFORMADOR	INSTALLATION ÉLECTRIQUE TRANSFORMATEUR
25	10003788	TRANSFORMER ELECTRICAL WIRING	INSTALACIÓN ELÉCTRICA TRANSFORMADOR	INSTALLATION ÉLECTRIQUE TRANSFORMATEUR
26	10044949	COMMUNICATION WIRING	INSTALACION COMUNICACION	INSTALLATION COMMUNICATION
27	10094423	ELECTRICAL INSTALATION RELAY INLET (FOR MACHINES ELECTR.HEATING)	INSALACIÓN ELÉCTRICA ENTRADA RELÉ (PARA MODELOS CALEFAC.ELECTR.)	INSTALLATION ÉLECTRIQUE ENTREE RELAIS (POUR MACHINES CHAUF.ELECTR.)
28	10110922	ELECTRICAL INSTALATION RELAY INLET (FOR MOD. HOT WATER/STEAM)	INSALACIÓN ELÉCTRICA ENTRADA RELÉ (PARA MOD.AGUA CALIENTE/VAPOR)	INSTALLATION ÉLECTRIQUE ENTREE RELAIS (POUR MOD.EAU CHAUDE/VAPEUR)
29	10179182	ELECTRICAL WIRING	INSTALACIÓN ELÉCTRICA	INSTALLATION ÉLECTRIQUE
30	10314953	ELECTRICAL INSTALLATION 3EA RECOVERY (2 DRAINS)	INSTALACIÓN ELÉCTRICA 3EA RECUPERADOR (2 DESAGÜES)	INSTALLATION ÉLECTRIQUE 3EA RÉCUPÉRATION (2 VIDANGES)
31	344168	SECTION SWITCH 63A (FOR MACHINES ELECTR.HEATING)	INTERRUPTOR SECCIONADOR 63A (PARA MODELOS CALEFAC.ELECTR.)	INTERRUPTEUR SECTIONNEUR 63A (POUR MACHINES CHAUF.ELECTR.)
32	344176	SECTION SWITCH 32A (FOR MOD. HOT WATER/STEAM)	INTERRUPTOR SECCIONADOR 32A (PARA MOD.AGUA CALIENTE/VAPOR)	INTERRUPTEUR SECTIONNEUR 32A (POUR MOD.EAU CHAUDE/VAPEUR)
33	245571	CONTACTOR FIXING PROFILE	PERFIL FIJACION CONTACTORES	PROFILE FIXATION CONTACTEURS
34	439000	COVER ABSORBER PROFILE	PERFIL AMORTIGUADOR TAPA	PROFILE AMORTISSEUR COUVERCLE
35	326843	MICROPROCESSOR PLATE COVER	TAPA PLACA MICROPROCESADOR	COUVERCLE PLAQUE MICROPROSSEUR
36	332395	AUXILIARY BOARD HS-60**	PLACA AUXILIAR HS-60**	PLAQUE AUXILIAIRE HS-60**
37	332544	INTELI BOARD E/S-2/A	PLACA INTELI E/S-2/A	PLAQUE INTELI E/S-2/4
38	353326	INTELI LABEL E/S-1/D	PLACA INTELI E/S-1/D	PLAQUE INTELI E/S-1/D
39	10053585	WIRING BOX	CAJA INSTALACIÓN	BOÎTIER DE RACCORDEMENT
40	10740884	BOX REINFORCEMENT	REFUERZO CAJA	RENFORT CAISSE

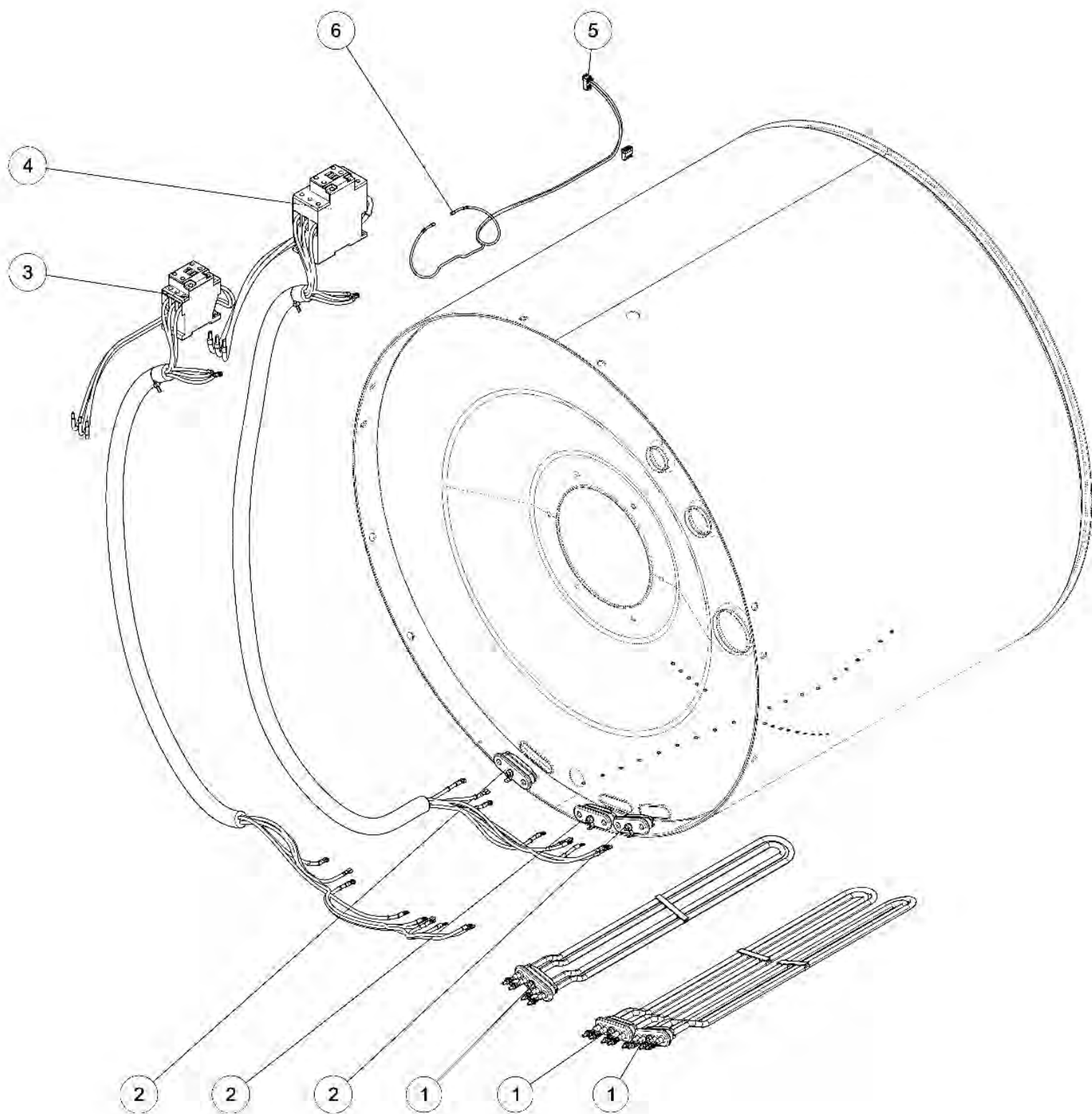


Nº	REF	DENOMINATION	DENOMINACIÓN	DENOMINATION
1	511584	SOAP DISPENSER SET	CONJUNTO DOSIFICADOR	ENSEMBLE BAC A PRODUITS
2	600544	DRAIN G3-O-90 (NORMALLY OPEN)	DESAGÜE G3-O-90 (NORMALMENTE ABIERTO)	VIDANGE G3-O-90 (NORMALEMENT OUVERT)
3	600569	DRAIN G3-C-90 (NORMALLY CLOSED)	DESAGÜE G3-C-90 (NORMALMENTE CERRADO)	VIDANGE G3-C-90 (NORMALEMENT FERME)
4	156687	CONICAL END-PIECE R-16 D16	TOPE CONICO REPRIMS A R-16 D16	ARRET CONIQUE R-16 D16
5	330480	TORIC GASKET 29,2X35,2X3	JUNTA TORICA 29,2X35,2X3 *	JOINT TORIQUE 29,2X35,2X3
6	131508	FLEXIBLE RING E-17 DIN 471	ANILLO ELASTICO E-17 DIN 471	BAGUE ELASTIQUE E-17 DIN 471
7	132290	CLAMP 301730-8 D50-70	ABRAZADERA 301730-8 D50-70	BRIDE 301730-8 D50-70
8	132340	CLAMP REF.30173380-2 D80-100	ABRAZADERA REF.30173380-2 D80-100	BRIDE REF.30173380-2 D80-100
9	140525	CLAMP 2244-0	BRIDA UNEX 2244-0 *	BRIDE 2244-0
10	192849	BIC.HEX SCREW DIN933-8 M-8X25	TOR.EX.DIN933-8.8 B.TRI.M 8X25	VIS HEX.DIN933-8,8 BICR.M-8X25
11	323675	CLAMP NORMA 22HC0593	ABRAZADERA NORMA 22HC0593	COLLIER NORMA 22HC0593
12	333443	WASHER SWHCFS 8780	ABRAZ.ALAMBRE SWHCFS 8780	RONDELLE SWHCFS 8780
13	333450	WASHER D137XD2	ABRAZ.ALAMBRE D137XD2	RONDELLE D137XD2
14	338897	CLAMP 20,2	ABRAZ. F.I.M. 20202 B20,2	BRIDE 20,2
15	340505	WASHER SWHCFS 5850	ABRAZ.ALAMBRE SWHCFS 5850	RONDELLE SWHCFS 5850
16	167494	LOCTITE TYPE 406 20 GR.	LOCTITE TIPO 406 20 GR.	LOCTITE TYPE 406 20 GR.
17	602763	INST. ELEC. CONNECTOR-DRAIN	INST. ELEC. CONECTORA-DESAGÜE	INST. ELEC. CONNECTEUR-VIDANGE
18	261529	WASHER 25X8,5X4	ARANDELA 25X8.5X4 TRIVALEN.	RONDELLE 25X8,5X4
19	163253	DRAIN OUTLET HOSE	TUBO SALIDA DESAGÜE	TUBE SORTIE VIDANGE
20	321349	WATER INLET RACCORD	RACOR ENTRADA AGUA DIRECTA	RACCORD ENTREE EAU
21	333575	DRAIN SLEEVE	MANGUITO DESAGÜE	FRETTE VIDANGE
22	338889	VAPOUR OUTLET HOSE	TUBO DESVAPORIZADOR	TUBE SORTIE CONDENSATS
23	339598	ASPIRATION HOSE	TUBO ASPIRACION	TUBE ASPIRATION
24	344101	SOAP DOSING INSERTO (NORMALLY OPEN) (COIN CTRL MODELS ONLY)	INSERTO DOSIFICADOR (NORMALMENTE ABIERTO) (PARA MODELOS A COIN CONTROL)	INSERTO BAC A PRODUITS (NORMALEMENT OUVERT) (POUR MODELE COIN CONTROL)
25	353599	OUTER-DRUM COLLECTOR BELLOW	FUELLE DESAGÜE ENVOLVENTE	DURITE COLLECTEUR CUVE
26	593020	FUELLE COLECTOR ENVOLVENTE	FUELLE COLECTOR ENVOLVENTE	FUELLE COLECTOR ENVOLVENTE

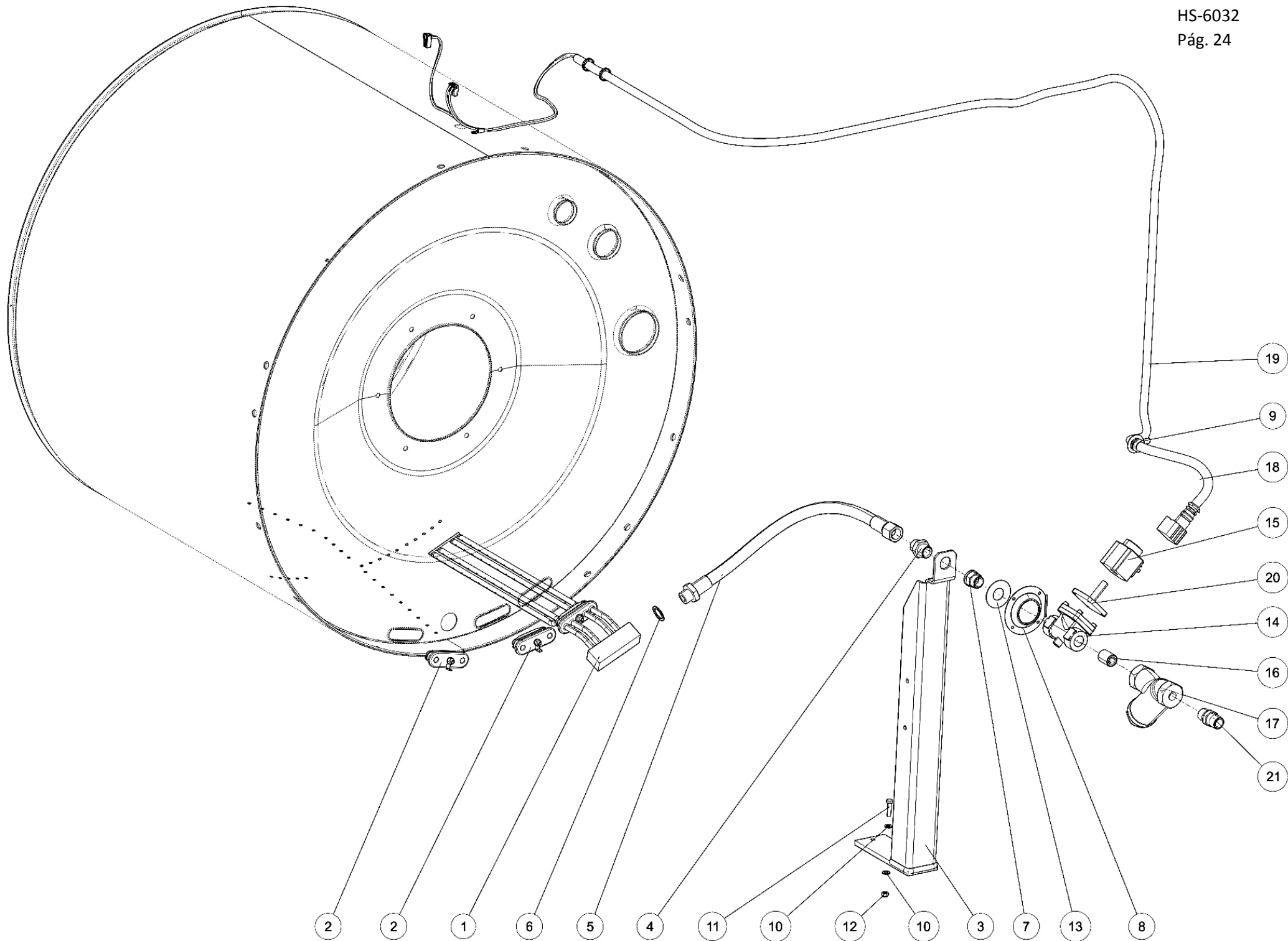
N°	REF	DENOMINATION	DENOMINACIÓN	DENOMINATION
27	10127645	DRAIN HOSE	TUBO DESAGUE	TUBE VIDANGE
28	10136802	RUBBER ELBOW	CODO GOMA	COUDE CAOUTCHOUC
29	611061	OVERFLOW HOSE	TUBO REBOSADERO	TUBE TROP-PLEIN
30	10020808	BEARING BOX DRAIN HOSE	TUBO DESAGÜE CAJA COJINETES	TUBE VIDANGE BOITE ROULEMENTS
		WITHOUT ILLUSTRATION	SIN ILUSTRACION	SANS ILLUSTRATION
687632		2nd DRAIN KIT 50/60 H24CC-LC (COIN CTRL MODELS ONLY)	KIT 2° DESAGÜE 50/60 H32CC (PARA MODELOS A COIN CONTROL)	KIT 2° VIDANGE 50/60 H24CC-LC (POUR MODELE COIN CONTROL)
687624		2nd DRAIN KIT 50/60 HS-6024IC (FOR MOD. INTELI CONTROL)	KIT 2° DESAGÜE 50/60 HS-6032IC (PARA MOD. INTELI CONTROL)	KIT 2° VIDANGE 50/60 HS-6024IC (POUR MOD. INTELI CONTROL)



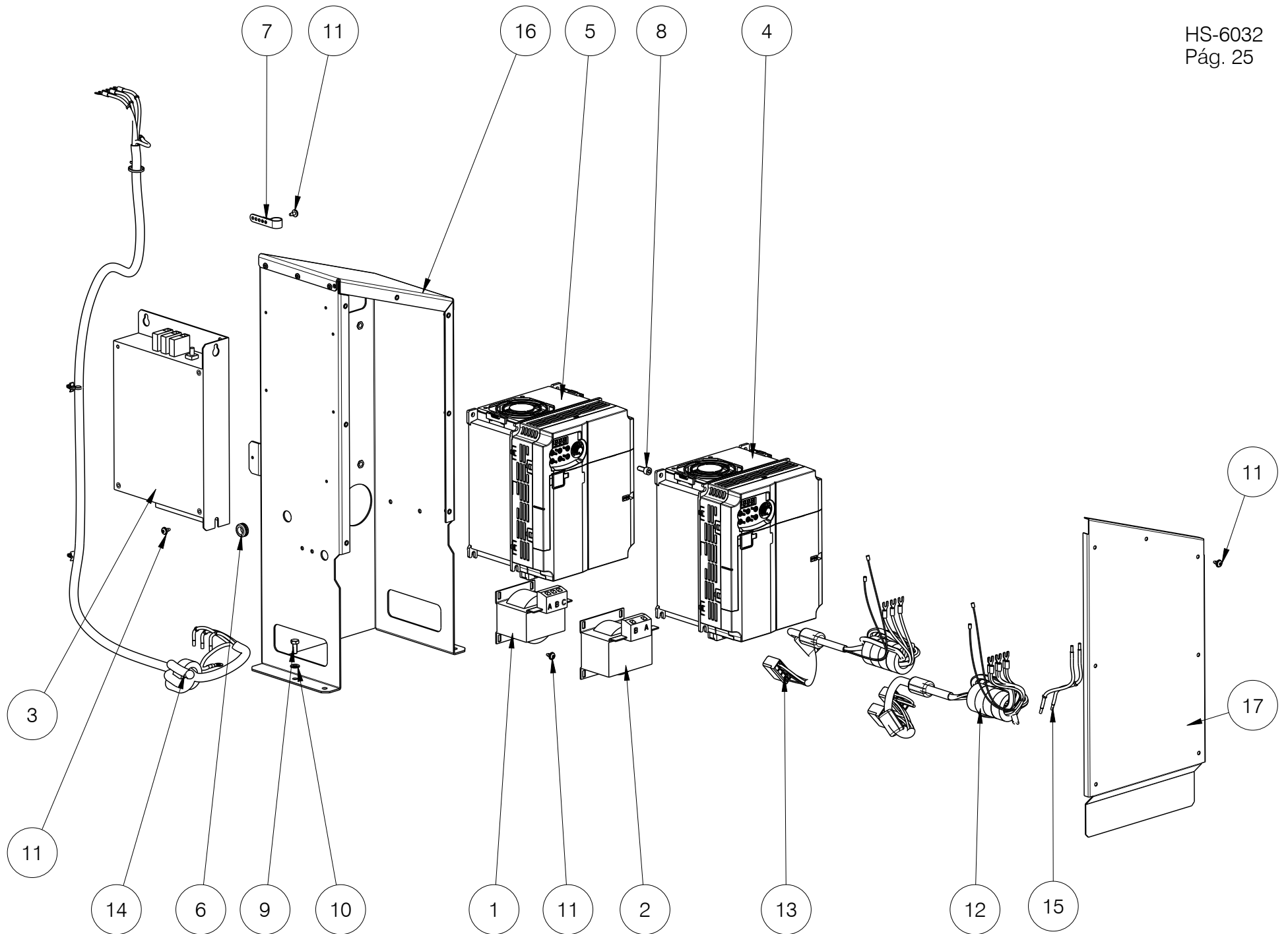
Nº	REF	DENOMINATION	DENOMINACIÓN	DENOMINATION
1	598631	DOUBLE DRAIN ASSEMBLY	CTO SOPORTE DOBLE DESAGÜE	ENSEMBLE SUPPORT DOUBLE VIDANGE
2	149526	BICR.WASHER B DIN125-ST 6,4	ARAN.B DIN125-ST B.TRI. 6,4	RONDELLE B DIN125-ST BICR.6,4
3	146233	BICR.HEX SCREW DIN933-8 M6X15	TOR.EX.DIN933-8.8 B.TRI.M 6X15	VIS HEX DIN933-8.8 BICR.M6X15
4	600577	DRAIN G3-C-180	DESAGÜE G3-C-180	VIDANGE G3-C-180
5	600551	DRAIN G3-O-180	DESAGÜE G3-O-180	VIDANGE G3-O-180
6	146316	BICR.HEX SCREW DIN933-8 M-6X20	TOR.EX.DIN933-8.8 B.TRI.M 6X20	VIX HEX BICR.DIN933-8.8 M-6X20
7	595074	DRAIN HOSE	TUBO DESAGUE	TUBE VIDANGE
8	595066	DRAIN HOSE	TUBO DESAGUE	TUBE VIDANGE
9	132340	CLAMP REF.30173380-2 D80-100	ABRAZADERA REF.30173380-2 D80-100	BRIDE REF.30173380-2 D80-100
10	10147973	DRAIN HOSE	TUBO DESAGUE	TUBE VIDANGE
11	605881	UNION T	TE UNION	T UNION
12	600544	DRAIN G3-O-90	DESAGÜE G3-O-90	VIDANGE G3-O-90
13	301853	OVERFLOW HOSE SUPPLEMENT	SUPLEMENTO TUBO REBOSADERO	SUPPLEMENT TUBE DEVERSOIR
14	135004	CONICAL END-PIECE REPRIMSA R16	TOPE CONICO REPRIMSA R-16 D30	ARRET CONIQUE REPRIMSA R16 D30
15	132282	CLAMP 32-50	ABRAZADERA 32- 50	BRIDE 32-50
16	602763	INST. ELEC. CONNECTOR-DRAIN	INST. ELEC. CONECTORA-DESAGÜE	INST. ELEC. CONNECTEUR-VIDANGE



N°	REF	DENOMINATION	DENOMINACIÓN	DENOMINATION
1	10051241	HEATER	CALEFACTOR	RESISTANCE
2	121962	HEATER INLET LID	CIERRE ENTRADA CALEFACTOR *	FERMETURE ENTREE RESISTANCE
3	10136190	HEATING ELECTRICAL INSTALLATION (FOR MACHINES ELECTR.HEATING) (FOR 380V-400V-415V)	INSTALACIÓN ELÉCTRICA CALEFACCIÓN (PARA MODELOS CALEFAC.ELECTR.) (PARA 380V-400V-415V)	INSTALLATION ÉLECTRIQUE CHAUFFAGE (POUR MACHINES CHAUF.ELECTR.) (POUR 380V-400V-415V)
4	10141224	HEATING ELECTRICAL INSTALLATION (FOR MACHINES ELECTR.HEATING) (FOR 200V-208V-220V-230V-240V) (FOR (208+240)V)	INSTALACIÓN ELÉCTRICA CALEFACCIÓN (PARA MODELOS CALEFAC.ELECTR.) (PARA 200V-208V-220V-230V-240V) (PARA (208+240)V)	INSTALLATION ÉLECTRIQUE CHAUFFAGE (POUR MACHINES CHAUF.ELECTR.) (POUR 200V-208V-220V-230V-240V) (POUR (208+240)V)
5	10151199	HEATING RELAY ELECTRICAL WIRING (FOR MACHINES ELECTR.HEATING) (COIN CTRL MODELS ONLY)	INSTALACIÓN ELÉCTRICA RELÉ CALEFACCIÓN (PARA MODELOS CALEFAC.ELECTR.) (PARA MODELOS A COIN CONTROL)	INSTALLATION ÉLECTRIQUE RELAIS CHAUFFAGE (POUR MACHINES CHAUF.ELECTR.) (POUR MODELE COIN CONTROL)
6	10046506	HEATING RELAY ELECTRICAL WIRING (FOR MACHINES ELECTR.HEATING) (FOR MOD. INTELI CONTROL) (NON-CHROMED) WITHOUT ILLUSTRATION ELECTRIC HEATING KITS	INSTALACIÓN ELÉCTRICA RELÉ CALEFACCIÓN (PARA MODELOS CALEFAC.ELECTR.) (PARA MOD. INTELI CONTROL) SIN ILUSTRACION KITS CALEFACCION ELECTRICA	INSTALLATION ÉLECTRIQUE RELAIS CHAUFFAGE (POUR MACHINES CHAUF.ELECTR.) (FOR MOD. INTELI CONTROL) (SANS CHROME) SANS ILLUSTRATION KITS CHAUFFAGE ELECTRIQUE
	687665	EL.HT. KIT 3PH 380-400V (FOR 380V-400V-415V)	KIT CAL.ELEC. 380-400-415V (PARA 380V-400V-415V)	KIT CH.EL. 3PH 380-400V (POUR 380V-400V-415V)
	687673	EL.HT.KIT 3PH 240-(208+240)V USA (HS-6032) (FOR 200V-208V-220V-230V-240V) (EH080) (FOR (208+240)V)	KIT CAL.E.200-208-220-230-240-(208+240)V (HS-6032) (PARA 200V-208V-220V-230V-240V) (EH080) (PARA (208+240)V)	KIT CH.EL.3PH 240-(208+240)V USA (HS-6032) (POUR 200V-208V-220V-230V-240V) (EH080) (POUR (208+240)V)



Nº	REF	DENOMINATION	DENOMINACIÓN	DENOMINATION
1	108431	STEAM DISTRIBUTOR	DISTRIBUIDOR VAPOR	DISTRIBUTEUR VAPEUR
2	121962	HEATER INLET LID (FOR MOD. HOT WATER/STEAM)	CIERRE ENTRADA CALEFACTOR * (PARA MOD.AGUA CALIENTE/VAPOR)	FERMETURE ENTREE RESISTANCE (POUR MOD.EAU CHAUDE/VAPEUR)
3	10143311	STEAM INLET SUPPORT	SOPORTE ENTRADA VAPOR	SOUTIEN ENTRÉE VAPEUR
4	156216	JOINTING SCREW 10903 1/2"	10903 TORNILLO UNION MM1/2"	VIS UNION 10903 1/2"
5	10147718	STEAM INLET JOINTING	UNION ENTRADA VAPOR	UNION ENTREE VAPEUR
6	109777	COPPER GASKET 1/2"	12504 JUNTA COBRE 1/2"	JOINT CUIVRE 1/2"
7	183525	MALE-FEMALE SLEEVE 1/2"	MANGUITO MACHO-HEMERA1/2"LATON	FRETTE MALE-FEMELLE 1/2"
8	608265	STEAM INLET PROTECTION	PROTECCION ENTRADA VAPOR	PROTECTION ENTREE VAPEUR
9	612291	STEAM INLET PROTECTION	PROTECCION ENTRADA VAPOR	PROTECTION ENTREE VAPEUR
10	149526	BICR.WASHER B DIN125-ST 6,4	ARAN.B DIN125-ST B.TRI. 6,4	RONDELLE B DIN125-ST BICR.6,4
11	192856	HEX SCREW 8G DIN 933 M 6X 25	TOR.EX.DIN933-8.8 B.TRI.M 6X25	VIS HEX.8G DIN 933 M 6X 25
12	176834	SELF-LOCKING NUT DIN985-8 B.TRI.M6	TUER.AUTOBL.DIN985-8 B.TRI.M6	ECROU AUTOBLOCANT DIN985-8 B.TRI.M6
13	608364	STEAM PROTECTION PLATE	CHAPA PROTECCION VAPOR	PLAQUE PROTECTION VAPEUR
14	583369	STEAM VALVE BODY 1/2"	CUERPO VALV. VAPOR 1/2" *	CORPS VANNE VAPEUR 1/2"
15	583385	STEAM VALVE COIL 208-240V 50/60Hz	BOBINA V.VAPOR 208-240V 50/60Hz *	BOBINE V. VAPEUR 208-240V 50/60Hz
16	129999	FIG. 531 1/2" GALV	FIGURA 531 DE 1/2" GALV.	FIG. 531 1/2" GALV
17	133728	STRAINER THREADED 1/2" O'3 PN16	FILTRO GG25 ROSC.1/2" PN16 0'3MM INOX	FILTRE FILETE 1/2" 0,3 PN16
18	10147403	STEAM ELECTRICAL INSTALLATION (COIN CTRL MODELS ONLY)	INSTALACIÓN ELÉCTRICA VAPOR (PARA MODELOS A COIN CONTROL)	INSTALLATION ÉLECCTRIQUE VAPEUR (POUR MODELE COIN CONTROL)
19	10176428	STEAM ELEC.INST. (FOR MOD. INTELI CONTROL)	INST. ELEC. VAPOR (PARA MOD. INTELI CONTROL)	INST.ELEC.VAPEUR (POUR MOD. INTELI CONTROL)
20	583393	SPARE KIT DANFOSS EV245B	KIT REPUES.DANFOSS EV245B *	KIT RECHANGE DANFOSS EV245B
21	251355	STEAM INLET SLEEVE (EH080)	MANGUITO ENTRADA VAPOR (EH080)	MANCHON ENTREE VAPEUR (EH080)
		WITHOUT ILLUSTRATION STEAM HEATING KITS	SIN ILUSTRACION KITS CALEFACCION VAPOR	SANS ILLUSTRATION KITS CHAUFFAGE VAPEUR
	687640	KIT CAL.STEAM H24IC 50-60 HZ (FOR MOD. INTELI CONTROL)	KIT CAL.VAPOR H32IC 50-60 HZ (PARA MOD. INTELI CONTROL)	KIT CAL.VAPEUR H24IC 50-60 HZ (POUR MOD. INTELI CONTROL)
	687657	KIT CAL.STEAM H24CC-LC 50-60 HZ (COIN CTRL MODELS ONLY)	KIT CAL.VAPOR H32CC 50-60 HZ (PARA MODELOS A COIN CONTROL)	KIT CAL.VAPEUR H24CC-LC 50-60 HZ (POUR MODELE COIN CONTROL)



N°	REF	DENOMINATION	DENOMINACIÓN	DENOMINATION
1	318808	INDUCTANCE DCR002 (FOR 380V-400V-415V-440V-480V) (FOR (440÷480)V)	INDUCTANCIA DCR002 CSA * (PARA 380V-400V-415V-440V-480V) (PARA (440÷480)V)	INDUCTANCE DCR002 (POUR 380V-400V-415V-440V-480V) (POUR (440÷480)V)
2	320978	INDUCTANCE DCR005 (FOR 200V-208V-220V-230V-240V) (FOR (208÷240)V)	INDUCTANCIA DCR005 CSA * (PARA 200V-208V-220V-230V-240V) (PARA (208÷240)V)	INDUCTANCE DCR005 (POUR 200V-208V-220V-230V-240V) (POUR (208÷240)V)
3	365072	FILTER TYPE FS21559-24-07-1	FILTRO TIPO FS21559-24-07-1	FILTRE TP.FS21559-24-07-1
4	10100451	FREQUENCY INVERTER FRN5,5C2S-2J (FOR 200V-208V-220V-230V-240V) (FOR (208÷240)V)	VARIADOR FRECUENCIA FRN5,5C2S-2J (PARA 200V-208V-220V-230V-240V) (PARA (208÷240)V)	VARIATEUR FREQUENCY FRN5,5C2S-2J (POUR 200V-208V-220V-230V-240V) (POUR (208÷240)V)
5	10100501	INVERTER FRN0013C2S-4E (FOR 380V-400V-415V-440V-480V) (FOR (440÷480)V)	CONVERTIDOR FRN0013C2S-4E (PARA 380V-400V-415V-440V-480V) (PARA (440÷480)V)	CONVERTISSEUR FRN0013C2S-4E (POUR 380V-400V-415V-440V-480V) (POUR (440÷480)V)
6	332601	SHEATH-LODGING DGB-7	PASAMUROS DGB-7	LOGEMENT DGB-7
7	140418	CLAMP UNEX REF 1201	BRIDA UNEX 1201	BRIDE UNEX REF 1201
8	144337	ALLEN SCREW DIN912 M 6X15	TOR.ALLDIN912-8.8 B.TRI.M 6X15	VIS ALLEN DIN912 M 6X15
9	146233	BICR.HEX SCREW DIN933-8 M6X15	TOR.EX.DIN933-8.8 B.TRI.M 6X15	VIS HEX DIN933-8.8 BICR.M6X15
10	149526	BICR.WASHER B DIN125-ST 6,4	ARAN.B DIN125-ST B.TRI. 6,4	RONDELLE B DIN125-ST BICR.6,4
11	183400	PLATE SCREW ST-4, 20 P.F. C/AL.T25	TORNILLO CHAPA ST-4 (ESPECIAL)*	VIS PLAQUE ST-4, 20 P.F. C/AL.T25
12	10113090	MOTOR ELECTRICAL INSTALLATION (FOR 200V-208V-220V-230V-240V) (FOR (208÷240)V)	INSTALACIÓN ELÉCTRICA MOTOR (PARA 200V-208V-220V-230V-240V) (PARA (208÷240)V)	INSALLATION ÉLECTRIQUE MOTEUR (POUR 200V-208V-220V-230V-240V) (POUR (208÷240)V)
13	10116606	MOTOR ELECTRICAL INSTALLATION (FOR 380V-400V-415V-440V-480V) (FOR (440÷480)V)	INSTALACIÓN ELÉCTRICA MOTOR (PARA 380V-400V-415V-440V-480V) (PARA (440÷480)V)	INSALLATION ÉLECTRIQUE MOTEUR (POUR 380V-400V-415V-440V-480V) (POUR (440÷480)V)
14	10118495	ELECTRICAL FILTER-RELAY INSTALLATION	INSTALLATION ELECTRIQUE RELAYS-FILTER	INSTALACION ELECTRICA RELE-FILTRO
15	10148559	INDUCTANCE WIRE	CABLE INDUCTANCIA	CÂBLES INDUCTANCE
16	10110955	INVERTER BOX ASSEMBLY	CONJUNTO CAJA VARIADOR	ENSEMBLE BOÎTIER VARIATEUR
17	10126258	INVERTER BOX COVER CEM	TAPA CAJA VARIADOR CEM	BOÎTIER VARIATEUR COUVERTURE CEM