

Mod.	From serial no. A partir máq. n°
RMS628/RMG628	2.410.125
REM070/RMG070	2.420.185

Parts Handbook for Washers
Manual de recambios para lavadoras
Notice Vues Eclatées pour laveuses

RMS628 / RMG628
REM070 / RMG070

GIRBAU, S.A.

Crta de Manlleu, km. 1
08500 VIC (Barcelona) • SPAIN
Tel. 34 93 8861100
Fax 34 93 8860785
girbau@girbau.es
www.girbau.com

USA, CANADA:

CONTINENTAL GIRBAU Inc.

2500 State Road 44
WI 54904 Oshkosh • USA
Tel. 1(920) 231-8222
Fax 1(920) 231-4666
info@cont-girbau.com
www.cont-girbau.com

Parts Handbook
Manual de recambios
Vues Eclatées

RMS628/RMG628
REM070/RMG070

NOTES TO USE PARTS LIST

Sheets no. 1, 2, 3, 4, 5, 10, 13, 16:
Are common for all versions.

Sheets no. 6, 11:
Logi Control & Logi Pro

Sheets no. 6, 12:
Coin Control

Sheet no. 7:
Logi Control, Logi Pro & Coin Control with high temperature valve

Sheet no. 8:
REM070 Coin Control

Sheet no. 9:
REM070 Coin Control with high temperature valve

Sheet no. 14:
Electric heating

Sheet no. 15:
Steam heating

Sheet no. 17:
Double drain

ACLARACIONES PARA EL USO DEL MANUAL DE RECAMBIOS

Hojas nº 1,2,3,4,5,10,13,16:
Son comunes a todas las variantes.

Hojas nº 6, 11:
Logi Control y Logi Pro

Hojas nº 6, 12:
Coin Control

Hoja nº 7:
Logi Control, Logi Pro y Coin Control con válvula alta temperatura

Hoja nº 8:
REM070 Coin Control

Hoja nº 9:
REM070 Coin Control con válvula alta temperatura

Hoja nº 14:
Calefacción eléctrica

Hoja nº 15:
Calefacción a vapor

Hoja nº 17:
Doble desagüe

NOTES UTILISATION VUES ECLATEES

Feuilles no.1,2,3,4,5,10,13,16:
Sont communes à toutes les versions.

Feuilles no. 6, 11:
Logi Control et Logi Pro

Feuilles no. 6, 12:
Coin Control

Feuille no. 7:
Logi Control, Logi Pro et Coin Control avec vanne haute température

Feuille no. 8:
REM070 Coin Control

Feuille no. 9:
REM070 Coin Control avec vanne haute température

Feuille no. 14:
Chauffage électrique

Feuille no. 15:
Chauffage à vapeur

Feuille no. 17:
Double vidange

VERY IMPORTANT:

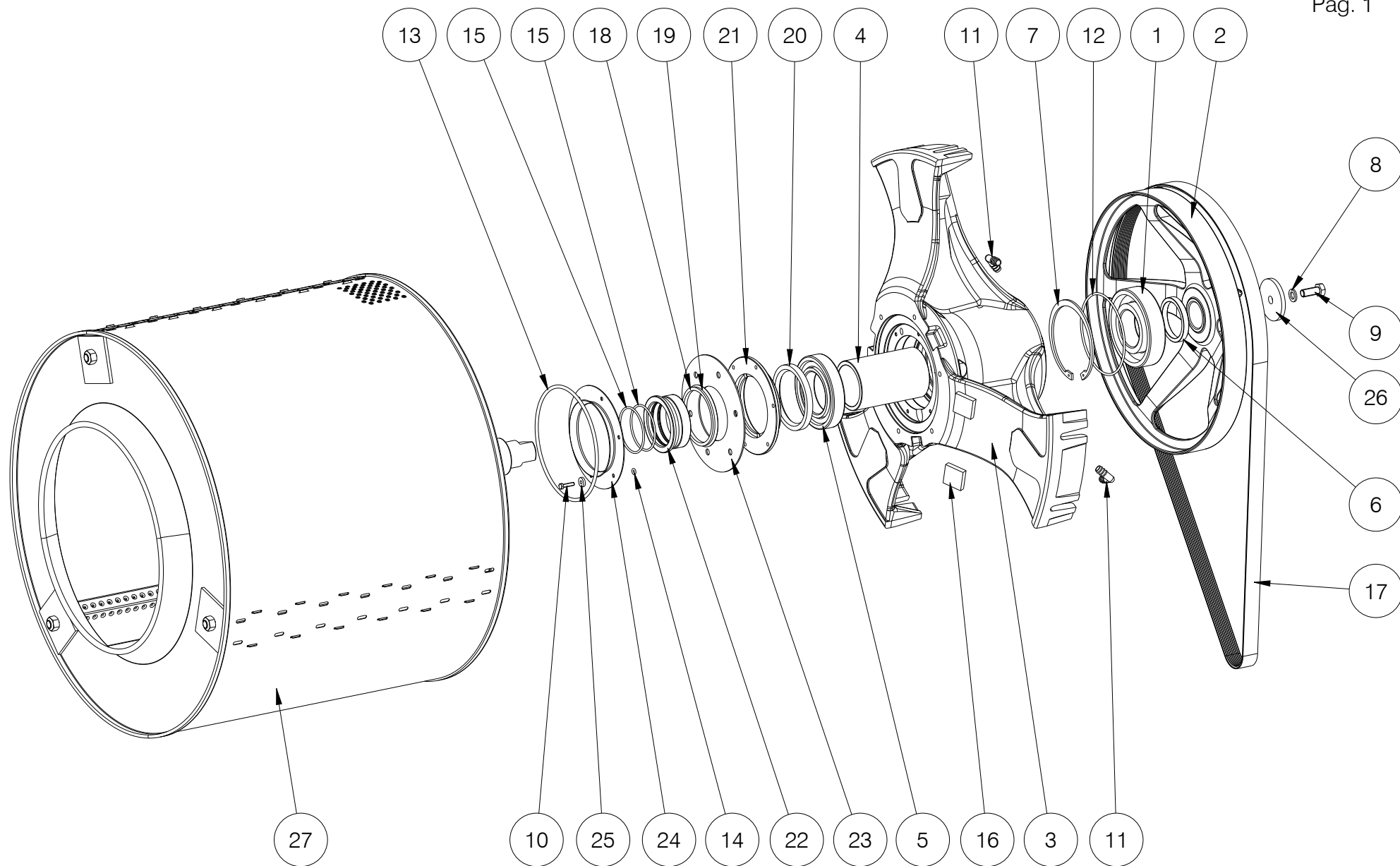
Before ordering parts be sure they have not been modified. Check it on modification sheet, after the corresponding sheet.

MUY IMPORTANTE:

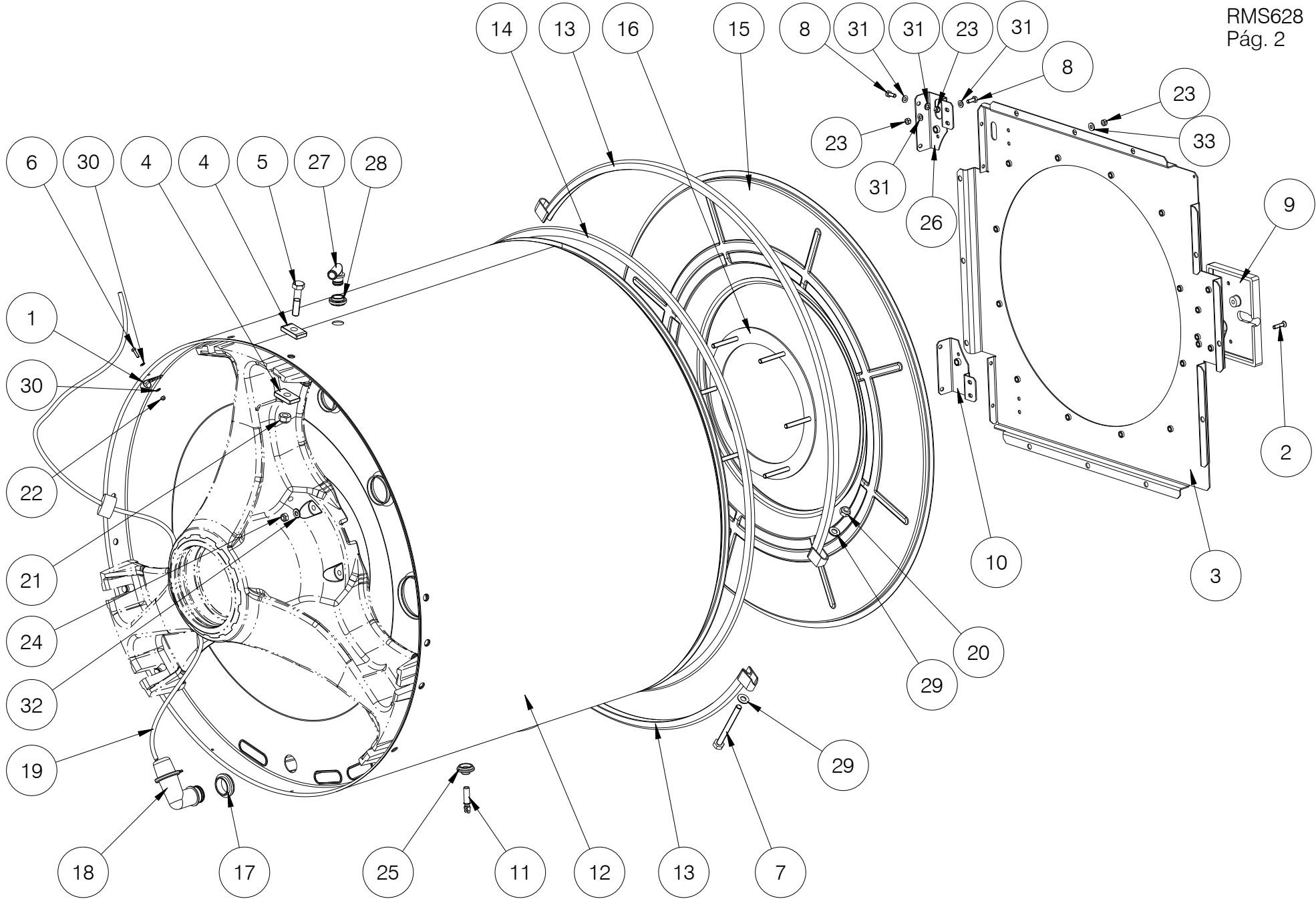
Al pedir una pieza cerciorarse antes de que la misma no ha sido modificada. Si lo hubiese sido, estaría situada como hoja de modificaciones, detrás de la hoja correspondiente.

TRES IMPORTANT:

Avant de commander une pièce, s'assurer qu'elle n'a pas été modifiée. Le vérifier sur feuille de modifications, derrière la feuille correspondante.

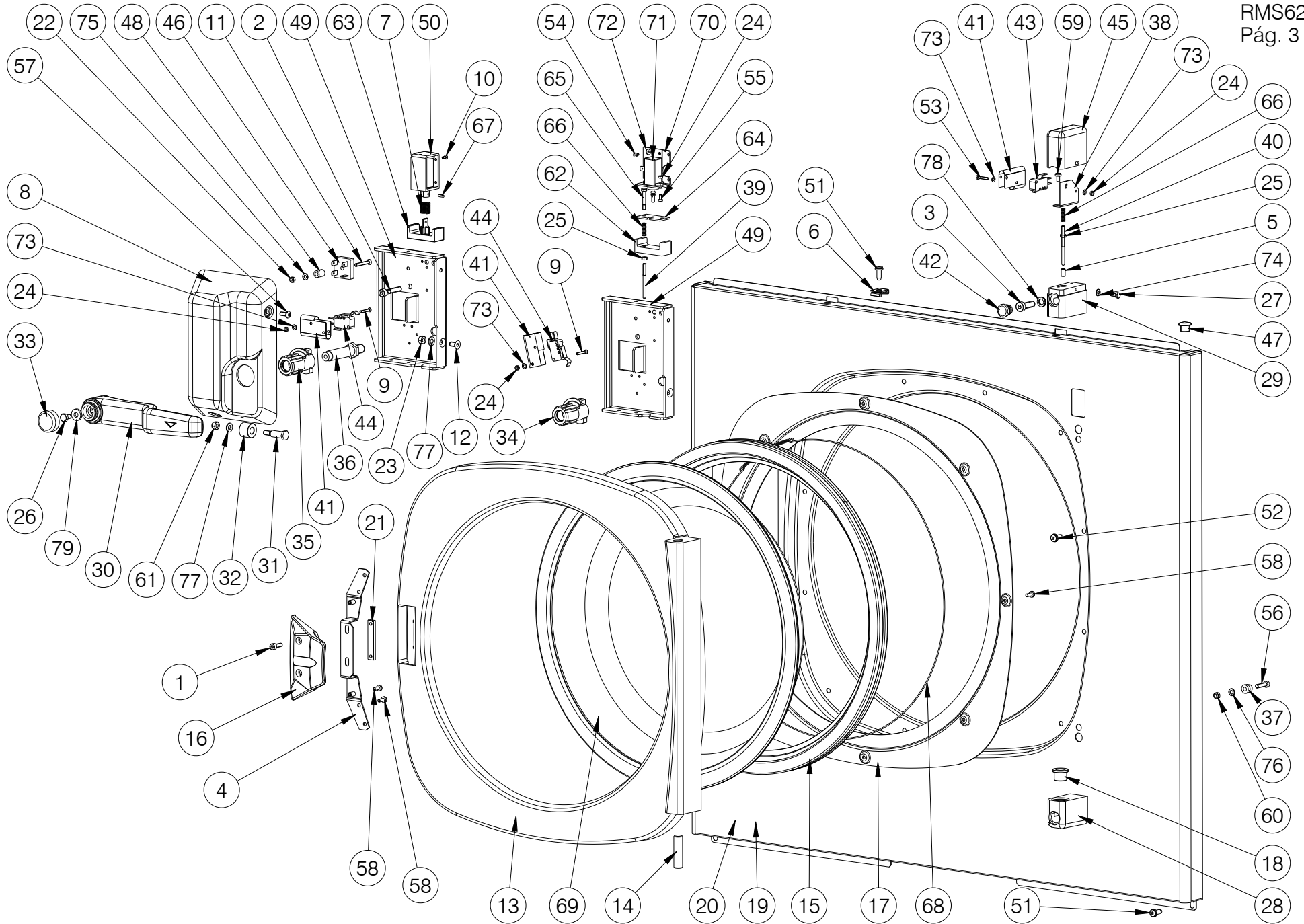


Nº	REF	DENOMINATION	DENOMINACIÓN	DENOMINATION
1	584169	BEARING 6314-2Z	RODAMIENTO 6314-2Z	ROULEMENT 6314-2Z
2	342543	BASKET PULLEY	POLEA TAMBOR	POULIE TAMBOUR
3	607689	BEARING BOX	ESTRELLA CAJA COJINETES	BOITE ROULEMENTS
4	590745	BEARING END-PIECE	TOPE COJINETES	ARRET ROULEMENTS
5	590711	BEARING NU 216 ECP	RODAMIENTO NU 216 ECP	ROULEMENT NU 216 ECP
6	588715	DRUM PULLEY SPACER	SEPARADOR POLEA TAMBOR	SEPARATEUR POULIE TAMBOUR
7	586859	FLEXIBLE RING I-150 DIN472	ANILLO ELASTICO I-150 DIN 472	BAGUE ELASTIQUE I-150 DIN472
8	149831	PAV A14 DIN127 GROWER WASHER	ARAN.GROWER A14 DIN127 PAVON.	RONDELLE GROWER A14 DIN127 PAV
9	186312	HEX SCREW 8G DIN933 M14X35	TOR.EX.DIN933-8.8 B.TRI.M14X35	VIS HEX 8G DIN933 M14X35
10	144915	INOX HEX SCREW DIN933 M 6X25	TOR.EX.DIN933INOX A2-70 M 6X25	VIS HEX INOX DIN933 M 6X25
11	193904	HOSE ELBOW 3/8" RE. 46602	CODO MANGUERA 3/8" REF.46602	COUDE TUYAU 3/8" REF. 46602
12	608372	TORIC GASKET 148X158X5 NBR 70SH	JUNTA TORICA 148X158X5 NBR 70SH	JOINT TORIQUE 148X158X5 NBR 70SH
13	591065	TORIC GASKET 210X222X6 NBR70SH	JUNTA TORICA 210X222X6 NBR70SH	JOINT TORIQUE 210X222X6 NBR70S
14	181321	TORIC GASKET 6X12X3	JUNTA TORICA 6X12X3	JOINT TORIQUE 6X12X3
15	333781	TORIC GASKET 82.14X89.2X3.53	JUNTA TORICA 82.14X89.2X3.53	JOINT TORIQUE 82.14X89.2X3.53
16	431205	PRESSOSTAT HOSE PROTECTION	PROTECCION TUBO PRESOSTATO	PROTECTION TUBE PRESSOSTAT
17	591628	RIBBED BELT 9PK2235+-6	CORREA ESTR.9PK2235+6	COURROIE STRIE 9PK2235+-6
18	591370	RING V-RING V- 100 A NBR510 (FOR NBR DRUM V-RING)	ANILLO V-RING V- 100 A NBR510 (PARA BOMBO CON V-RING NBR)	BAGUE V-RING V- 100 A NBR510 (POUR TAMBOUR AVEC NBR V-RING)
19	591354	RING V-RING V-100A VITON (FOR VITON DRUM V-RING)	ANILLO V-RING V-100A VITON (PARA BOMBO CON V-RING VITON)	BAGUE V-RING V-100A VUTON (POUR TAMBOUR AVEC VITON V-RING)
20	583930	SEAL 100X125X12 BA NBR70SH	RETEN 100X125X12 BA NBR70SH	RESERVE 100X125X12 BA NBR70SH
21	586917	SEAL HOLDER COVER	TAPA PORTA-RETEN	COUVERCLE PORTE-RESERVE
22	591081	SEAL RING	ANILLO RETENES	BAGUE RESERVES
23	588699	V.RING PLATE	PLATINA V-RING	PLATINE V-RING
24	585877	V-RING PROTECTION	PROTECCION V-RING	PROTECTION V-RING
25	422220	WASHER D18XD6.5X4	ARANDELA 18X6.5X4 INOX	RONDELLE D18XD6.5X4
26	212589	WASHER 80X15X8	ARANDELA 80X15X8 TRIVALEN.	RONDELLE 80X15X8
27	584904	BASKET	TAMBOR	TAMBOUR



Nº	REF	DENOMINATION	DENOMINACIÓN	DENOMINATION
1	140418	CLAMP UNEX REF 1201	BRIDA UNEX 1201	BRIDE UNEX REF 1201
2	119057	BRASS LENS-HEAD S.DIN963 M6X25	TOR.AVELL.LATON DIN963 M 6X25	VIS T/FRAIS.LAIT.DIN963 M 6X25
3	591156	DOOR BRACKET	SOPORTE PUERTA	SUPPORT PORTE
4	592709	STAR FIX. HANDRAIL	PASAMANO FIJ. ESTRELLA	PASSEMAIN FIX. STAR
5	145524	HEX SCREW 8G DIN931 M12X55	TOR.EX.DIN931-8.8 B.TRI.M12X55	VIS HEX 8G DIN931 M12X55
6	146266	BICR.HEX SCREW DIN933-8 M-4X15	TOR.EX.DIN933-4.8 B.TRI.M 4X15	VIS HEX BICR.DIN933-8.8 M-4X15
7	146563	BICR HEX SCREW DIN933 M-10X100	TOR.EX.DIN933-88 B.TRI.M10X100	VIS HEX DIN-933-8.8 BI.M10X100
8	146233	BICR.HEX SCREW DIN933-8 M6X15	TOR.EX.DIN933-8.8 B.TRI.M 6X15	VIS HEX DIN933-8.8 BICR.M6X15
9	603464	LOCKING BASE	BASE CIERRE	BASE FERMETURE
10	591198	LOWER DOOR BRACKET SUPPL.	SUPLEMENTO SOPORTE PUERTA INF.	SUPPL.SUPPORT PORTE INF.
11	193862	NTC RESISTANCE	RESISTENCIA NTC	RESISTANCE NTC
12	586891	OUTER DRUM	ENVOLVENTE	CUVE
13	591222	OUTER DRUM FIXING SEMI-RING	SEMI-ARO FIJACION ENVOLVENTE	DEMI.BAGUE FIXATION CUVE
14	591248	OUTER DRUM FRONT GASKET	JUNTA FRONTAL ENVOLVENTE	JOINT FRONTAL CUVE
15	588723	OUTER DRUM FRONT PANEL	FRONTAL ENVOLVENTE	FRONTAL CUVE
16	586867	OUTER DRUM PLATE SET	CONJUNTO PLATINA ENVOLVENTE	ENSEMBLE PLATINE CUVE
17	320036	PRESSURE T.BODY SHEATH-LODGING	PASAMUROS CUERPO PRESOSTATO	LOGEMENT CORPS PRESSOSTAT
18	320382	PRESSURE TRANSMITT INTAKE BODY	CUERPO TOMA PRESOSTATO	CORPS PRISE PRESSOSTAT
19	428672	PRESSURE TRANSMITTER HOSE	TUBO TRANSMISOR PRESION	TUYAU PRESSOSTAT
20	150649	SELF-LOCKING NUT DIN985-8 B.TRI.M10	TUER.AUTOB.DIN985-8 B.TRI.M10	ECROU AUTOBLOCANT DIN985-8 B.TRI.M10
21	150656	SELF-LOCKING NUT DIN985-8 B.TRI.M12	TUER.AUTOB.DIN985-8 B.TRI.M12	ECROU AUTOBLOCANT DIN985-8 B.TRI.M12
22	132043	SELF-LOCKING NUT DIN985-8 B.TRI.M 4	TUER.AUTOBL.DIN985-8 B.TRI.M 4	ECROU AUTOBLOCANT DIN985-8 B.TRI.M 4
23	176834	SELF-LOCKING NUT DIN985-8 B.TRI.M6	TUER.AUTOBL.DIN985-8 B.TRI.M6	ECROU AUTOBLOCANT DIN985-8 B.TRI.M6
24	164285	SELF-LOCKING NUT DIN985-8 B.TRI.M8	TUER.AUTOBL.DIN985-8 B.TRI.M8	ECROU AUTOBLOCANT DIN985-8 B.TRI.M8
25	256149	SENSOR SHEATH LODGING	PASAMUROS SENSOR	LOGEMENT SENSEUR
26	590869	UPPER DOOR BRACKET SUPPL.	SUPLEMENTO SOPORTE PUERTA SUP.	SUPPL. SUPPORT PORTE SUP.
27	338871	VAPOR OUTLET RACCORD	RACOR DESVAPORIZADOR	RACCORD SORTIE CONDENSATS
28	338863	VAPOR OUTLET SHEATH-LODGING	PASAMUROS DESVAPORIZADOR	LOGEMENT SORTIE CONDENSATS

Nº	REF	DENOMINATION	DENOMINACIÓN	DENOMINATION
29	149500	BICR.WASHER B DIN125-ST 10,5	ARAN.B DIN125-ST B.TRI.10,5	RONDELLE B DIN125-ST BICR.10,5
30	149476	BICR.WASHER B DIN125-ST 4,3	ARAN.B DIN125-ST B.TRI. 4,3	RONDELLE B DIN125-ST BICR.4,3
31	149526	BICR.WASHER B DIN125-ST 6,4	ARAN.B DIN125-ST B.TRI. 6,4	RONDELLE B DIN125-ST BICR.6,4
32	149518	BICR.WASHER B DIN125-ST 8,4	ARAN.B DIN125-ST B.TRI. 8,4	RONDELLE.B DIN125-ST BICR.8,4
33	432872	WASHER 14X6.4X2	ARANDELA 14X6.4X2 INOX	RONDELLE 14X6.4X2

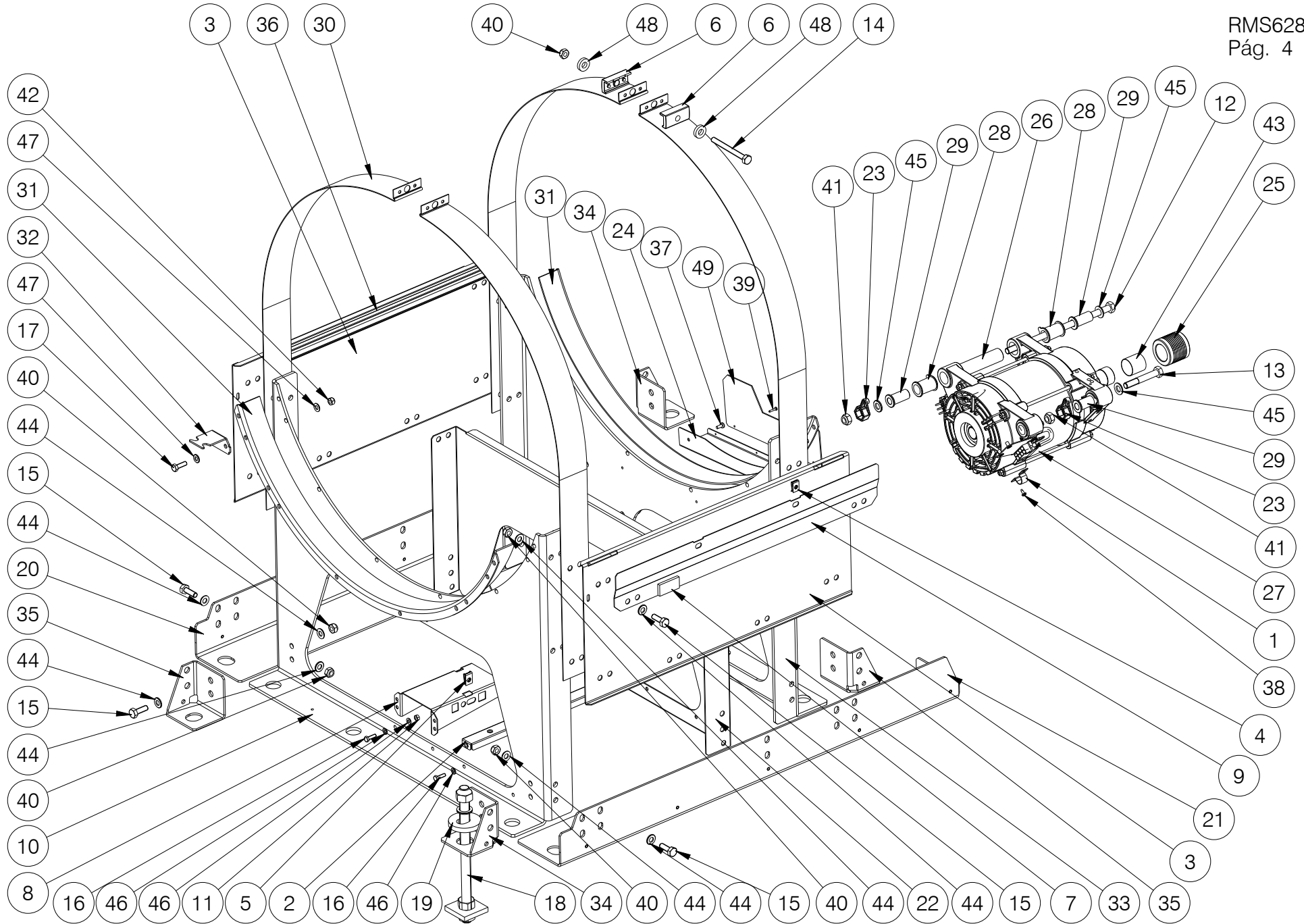


Nº	REF	DENOMINATION	DENOMINACIÓN	DENOMINATION
1	144279	ALLEN SCREW DIN 912 M-5X15	TOR.ALLDIN912-8.8 B.TRI.M 5X15	VIS ALLEN DIN 912 M-5X15
2	302331	ALLEN SCREW DIN912-8.8 BICR.	TOR.ALLDIN912-8.8 B.TRI.M 6X35	VIS ALLDIN912-8.8 BICR.M6X35
3	316695	ALLEN SCREW DIN7984-8 M8X 25	TOR.ALLDIN7984-8.8B.TRI.M 8X25	VIS ALLEN DIN7984-8.8 B.M8X 25
4	594374	BRACKET DOOR LOCK SET	SOPORTE CIERRE PUERTA	ENSEMBLE SUPPORT FERMATURE HUBLOT
5	591396	SLEEVE PERMAGL.D5,5XD4X10	CASQUILLO PERMAGL.D5,5XD4X10	FRETTE PERMAGL.D5,5XD4X10
6	332114	NUT M6	TUER.RAPIDA TRT M6-1 0212827	ECROU M6
7	300665	COIL SPRING	MUELLE BOBINA	RESSORT BOBINE
8	10256626	COMPLETE LOCKING BOX	CAJA CIERRE SEGURIDAD	BOITE FERMATURE COMPLETE
9	303131	BICR.SCREW DIN963-4.8 M 3X 20	TOR.AV.DIN963-4.8B.TRI. M 3X20	VIS.T/FRAIS DIN963-4.8 B.M3X20
10	147561	SCREW DIN963-4.8 M 3X 7	TOR.AV.DIN963-4.8 B.TRI.M 3X 7	VIS DIN963-4.8 BICR M 3X 7
11	199240	BICR.SCREW DIN963-4.8 M4X30	TOR.AV.DIN963-4.8 B.TRI M 4X30	VIS T/FRAIS.DIN963-4 BIC.M4X30
12	10032076	SCREW AV.ALL.INOX DIN7991 M 6x12	TOR.AV.ALL.INOX DIN7991M 6x12	VIS AV.ALL.INOX DIN7991 M 6x12
13	432039	DOOR BODY	CUERPO ESCOTILLA	CORPS HUBLOT
14	261156	DOOR BOLT	BULON ESCOTILLA	BOULON HUBLOT
15	563346	DOOR GASKET 65SHA	JUNTA ESCOTILLA 65SHA	JOINT HUBLOT 65SHA
	359828	DOOR GASKET 70SHA (SPARE PARTS ONLY)	JUNTA ESCOTILLA 70SHA (SOLO RECAMBIOS)	JOINT HUBLOT 70SHA (SEULEMENT PIECES DETACHEES)
16	591412	SAFETY LOCK PIECE	PIEZA CIERRE SEGURIDAD	PIECE FERMETURE SECURITE
17	591487	SPYHOLE HOLDER	PORTA-MIRILLA	PORTE-VITRE
18	128827	SELFOIL SLEEVE B11B12-17-15/22	COJ. SELFOIL B11B12-17-15/22-3	FRETTE SELFOIL B11B12-17-15/22
19	591214	FRONT COVER (INOX)	TAPA FRONTAL (INOX)	COUVERCLE FRONTALE (INOX)
20	594127	FRONT COVER (PRE-COATED)	TAPA FRONTAL (PRE-COATED)	COUVERCLE FRONTALE (PRE-COATED)
21	601641	HANDRAIL LOCK DOOR	PASAMANO CIERRE PUERTA	PASSEMAIN FERMETURE PORTE
22	150185	BICR.HEX.NUT DIN934-8 M4	TUER.EX.DIN934-8 B.TRI.M 4	ECROU HEX.DIN934-8 BICR.M4
23	150227	BICR HEX NUT DIN934-8 M6	TUER.EX.DIN934-8 B.TRI.M 6	ECROU HEX DIN934-8 BICR.M6
24	149906	INOX. HEX. NUT DIN 934 M-3 (FOR THERMO-ACTUATOR LOCK) (NORMALLY OPEN)	TUER.EX.DIN934 INOX A2-70 M 3 (PARA CIERRE TERMOACTUADOR) (NORMALMENTE ABIERTO)	ECROU HEX. INOX DIN934 M-3 (POUR FERMETURE THERMO-ACTION) (NORMALEMENT OUVERT)

Nº	REF	DENOMINATION	DENOMINACIÓN	DENOMINATION
25	149922	INOX HEX. NUT DIN 934 M-4 (FOR THERMO-ACTUATOR LOCK) (NORMALLY OPEN)	TUER.EX.DIN934 INOX A2-70 M 4 (PARA CIERRE TERMOACTUADOR) (NORMALMENTE ABIERTO)	ECROU HEX. INOX DIN 934 M-4 (POUR FERMETURE THERMO-ACTION) (NORMALEMENT OUVERT)
26	165621	BIC HEX SCREW DIN933-8,8 M6X10	TOR.EX.DIN933-8.8 B.TRI.M 6X10	VIS HEX DIN933-8,8 BICR M6X10
27	144832	INOX.HEX.SCREW DIN 933 M-4X10	TOR.EX.DIN933INOX A2-70 M 4X10	VIS HEX INOX. DIN 933 M-4X10
28	432054	HINGE	BISAGRA	CHARNIERE
29	591263	HINGE	BISAGRA	CHARNIERE
30	10256600	KNOB	EMPUÑADURA	POIGNEE
31	276477	KNOB BOLT	BULON EMPUÑADURA	BOULON POIGNEE
32	276519	KNOB ROLL	RODILLO EMPUÑADURA	ROULEAU POIGNEE
33	189993	KNOB STOPPER	TAPON EMPUÑADURA	BOUCHON POIGNEE
34	283671	LOCK KNOB UNION (FOR THERMO-ACTUATOR LOCK) (NORMALLY OPEN)	UNION EMPUÑADURA CIERRE (PARA CIERRE TERMOACTUADOR) (NORMALMENTE ABIERTO)	UNION POIGNEE FERMETURE (POUR FERMETURE THERMO-ACTION) (NORMALEMENT OUVERT)
35	283689	LOCK KNOB JOINTING	UNION EMPUÑADURA CIERRE	UNION POIGNEE FERMETURE
36	276485	LOCK SHAFT	EJE CIERRE	AXE FERMETURE
37	322909	LOWER PANEL PIVOT	PIVOTE TAPA INFERIOR	PIVOT COUVERCLE INFERIEUR
38	591172	MICROSWITCH BRACKET	SOPORTE MICRORRUPTOR	SUPPORT MICRORRUPTEUR
39	276501	MICROSWITCH DRIVE (FOR THERMO-ACTUATOR LOCK) (NORMALLY OPEN)	ACCIONADOR MICRORRUPTOR (PARA CIERRE TERMOACTUADOR) (NORMALMENTE ABIERTO)	ACTIONNEMENT MICRORRUPTEUR (POUR FERMETURE THERMO-ACTION) (NORMALEMENT OUVERT)
40	591404	MICROSWITCH DRIVE BOLT	PERNO ACCIONADOR MICRORRUPTOR	GOUJON ACTIONNEMENT MICRORRUP.
41	281113	MICROSWITCH ISOLATION	AISLANTE MICRORRUPTOR	ISOLANT MICRORRUPTEUR
42	322974	PLUG KAPSTO GPN320GL18	TAPON KAPSTO GPN320GL18	BOUCHON KAPSTO GPN320GL18
43	197046	MINISWITCH 83161.344 I W3	MINIRRUPTOR 83161.344 I W3	MINIRRUPTEUR 83161.344 I W3
44	279760	MICROSWITCH	MINIRRUPTOR	MICRORRUPTEUR
45	591313	PROTECTION COVER	TAPA PROTECCION	COUVERCLE PROTECTION
46	175224	RECTIFIER BRIDGE	PUENTE RECTIFICADOR *	PONT RECTIFIEUR
47	323717	END PIECE	CANTONERA	ARRET
48	300467	CYLINDER SEPARATOR SS10-4 CPVC	SEPARADOR CILINDR.SS10-4 CPVC	SEPARATEUR CYLINDR.SS10-4 CPVC
49	606236	SAFETY LOCK BRACKET	SOPORTE CIERRE SEGURIDAD	SUPPORT FERMETURE DE SECURITE

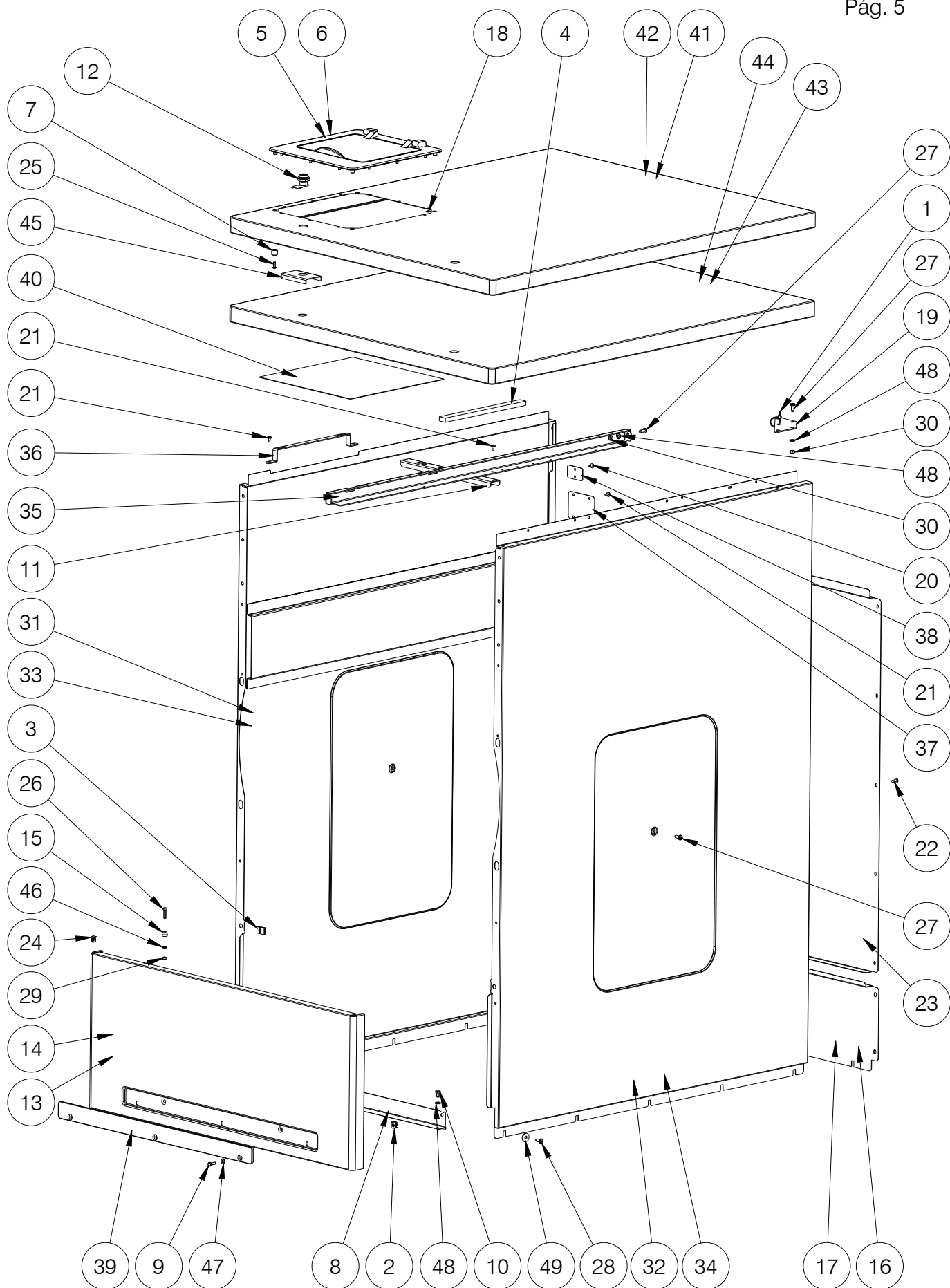
Nº	REF	DENOMINATION	DENOMINACIÓN	DENOMINATION
50	283697	SAFETY LOCK COIL	BOBINA CIERRE SEGURIDAD	BOBINE FERMETURE SECURITE
51	333625	SCREW T25 A18EST.M6X15 TRI.	TOR.ALOM.T25 A18EST.M6X15 TRI.(ESPECIAL)	VIS T25 A18EST.M6X15 TRI.
52	333294	SCREW T25 AR.18ESTR.M 6X15 INOX	TORNILLO ALOM.T25 M 6X15 INOX(ESPECIAL)*	VIS T25 AR.18ESTR.M 6X15 INOX
53	146043	BIC CYL SCREW DIN84-4,8 M3X16	TOR.CIL.DIN84-4.8 B.TRI.M 3X16	VIS CYL DIN84-4,8 BICR.M3X16
54	146019	BICR CYL SCREW DIN 84-4.8 M3X5 (FOR THERMO-ACTUATOR LOCK) (NORMALLY OPEN)	TOR.CIL.DIN84-4.8 B.TRI.M 3X5 (PARA CIERRE TERMOACTUADOR) (NORMALMENTE ABIERTO)	VIS CYL BICR.DIN 84-4.8 M 3X 5 (POUR FERMETURE THERMO-ACTION) (NORMALEMENT OUVERT)
55	146027	BICR CYL SCREW DIN84-4 M 3X 7 (FOR THERMO-ACTUATOR LOCK) (NORMALLY OPEN)	TOR.CIL.DIN84-4.8 B.TRI.M 3X7 (PARA CIERRE TERMOACTUADOR) (NORMALMENTE ABIERTO)	VIS CYL BICR DIN84-4.8 M 3X 7 (POUR FERMETURE THERMO-ACTION) (NORMALEMENT OUVERT)
56	146134	BICR CYL SCREW DIN84 M-5X20	TOR.CIL.DIN84-4.8 B.TRI.M 5X20	VIS CYL BICR DIN84-4.8 M-5X20
57	552406	SCREW RE.E.I.ISO7380 A2-70 M5X12	TOR.RE.E.I.ISO7380 A2-70 M5X12 TORX.	VIS RE.E.I.ISO7380 A2-70 M5X12
58	326116	SCREW 410TT85T 4X10 INOX	TORNILLO 410TT85T 4X10 INOX (ESPECIAL)	VIS 410TT85T 4X10 INOX
59	344085	SCREW 48TT85T 4X8 INOX	TORNILLO 48TT85T 4X8 INOX (ESPECIAL)	VIS 48TT85T 4X8 INOX
60	176826	SELF-LOCKING NUT DIN985-8 B.TRI.M5	TUER.AUTOBL.DIN985-8 B.TRI.M5	ECROU AUTOBLOCANT DIN 985-8 B.TRI.M5
61	176834	SELF-LOCKING NUT DIN985-8 B.TRI.M6	TUER.AUTOBL.DIN985-8 B.TRI.M6	ECROU AUTOBLOCANT DIN985-8 B.TRI.M6
62	272575	SLIDING BLOCKER (FOR THERMO-ACTUATOR LOCK) (NORMALLY OPEN)	BLOQUEADOR DESLIZANTE (PARA CIERRE TERMOACTUADOR) (NORMALMENTE ABIERTO)	BLOQUEUR COULISSANT (POUR FERMETURE THERMO-ACTION) (NORMALEMENT OUVERT)
63	276402	SLIDING BLOCKER	BLOQUEADOR DESLIZANTE	BLOQUEUR COULISSANT
64	280891	SLIDING BLOCKING PIECE (FOR THERMO-ACTUATOR LOCK) (NORMALLY OPEN)	PIEZA BLOQUEADOR DESLIZANTE (PARA CIERRE TERMOACTUADOR) (NORMALMENTE ABIERTO)	PIECE BLOQUEUR COULISSANT (POUR FERMETURE THERMO-ACTION) (NORMALEMENT OUVERT)
65	278622	SLIDING BLOCKING SCREW (FOR THERMO-ACTUATOR LOCK) (NORMALLY OPEN)	TORNILLO BLOQUEADOR DESLIZANTE (PARA CIERRE TERMOACTUADOR) (NORMALMENTE ABIERTO)	VIS BLOQUEUR COULISSANT (POUR FERMETURE THERMO-ACTION) (NORMALEMENT OUVERT)
66	198069	SPRING (FOR THERMO-ACTUATOR LOCK) (NORMALLY OPEN)	MUELLE COMPENSADOR (PARA CIERRE TERMOACTUADOR) (NORMALMENTE ABIERTO)	RESSORT (POUR FERMETURE THERMO-ACTION) (NORMALEMENT OUVERT)
67	150698	FLEXIBLE PIN DIN1481 D3X10	PASADOR ELASTICO DIN1481 D3X10	GOUJON ELASTIQUE DIN1481 D3X10
68	342907	WASHER D415X1,5 SPRING	ABRAZ.ALAMBRE D415X1,5 MUELLE	RONDELLE D415X1,5 RESSORT
69	333328	SPYHOLE	MIRILLA	VITRE
70	10031359	THERMO-ACTUATOR BRACKET (FOR THERMO-ACTUATOR LOCK) (NORMALLY OPEN)	SOPORTE TERMOACTUADOR (PARA CIERRE TERMOACTUADOR) (NORMALMENTE ABIERTO)	SUPPORT THERMO-ACTIONNEMENT (POUR FERMETURE THERMO-ACTION) (NORMALEMENT OUVERT)

N°	REF	DENOMINATION	DENOMINACIÓN	DENOMINATION
71	196774	THERMO-ACTUATOR 100331 15 (FOR THERMO-ACTUATOR LOCK) (NORMALLY OPEN)	TERMOACTUADOR 100331.15 NTA 6* (PARA CIERRE TERMOACTUADOR) (NORMALMENTE ABIERTO)	THERMO-ACTIONNEMENT 100331 15 (POUR FERMETURE THERMO-ACTION) (NORMALEMENT OUVERT)
72	276535	THERMO-ACTUATOR ISOLATION (FOR THERMO-ACTUATOR LOCK) (NORMALLY OPEN)	AISLANTE TERMOACTUADOR (PARA CIERRE TERMOACTUADOR) (NORMALMENTE ABIERTO)	ISOLANT THERMO-ACTIONNEMENT (POUR FERMETURE THERMO-ACTION) (NORMALEMENT OUVERT)
73	149484	BICR.WASHER B DIN125-ST 3,2	ARAN.B DIN125-ST B.TRI. 3,2	RONDELLE B.DIN125-ST BICR. 3,2
74	149328	INOX A2 WASHER DIN 125 4,3	ARAN. DIN125 INOX A2 4,3	RONDELLE INOX A2 DIN 125 4,3
75	149476	BICR.WASHER B DIN125-ST 4,3	ARAN.B DIN125-ST B.TRI. 4,3	RONDELLE B DIN125-ST BICR.4,3
76	149534	BICR.WASHER B DIN125-ST 5,3	ARAN.B DIN125-ST BICR. 5,3	RONDELLE B BICR.DIN125-ST 5,3
77	149526	BICR.WASHER B DIN125-ST 6,4	ARAN.B DIN125-ST B.TRI. 6,4	RONDELLE B DIN125-ST BICR.6,4
78	540039	NORD-LOCK WASHER NL 8 D.PROT.	ARAN.NORD-LOCK NL 8 D.PROT.	RONDELLE NORD-LOCK NL 8 D.PROT.
79	115733	WASHER 16X7X3	ARANDELA 16X7X3 TRIVALEN.	RONDELLE 16X7X3
		WITHOUT ILLUSTRATION	SIN ILUSTRACION	SANS ILLUSTRATION
431171		JOINT ADJUSTING RING	ARO AJUSTE JUNTA	BAGUE REGLAGE JOINT



Nº	REF	DENOMINATION	DENOMINACIÓN	DENOMINATION
1	634584	TWO FEET CLIP GMD-60	GRAPA PUENTE 18 MM	CLIP DEUX PIEDS GMD-60
2	10094951	CEM BOX BRACKET	SOPORTE CAJA CEM	SUPPORT BOITE CEM
3	586834	CHASSIS SIDE PANEL	LATERAL CHASIS	LATERAL CHASSIS
4	332114	NUT M6	TUER.RAPIDA TRT M6-1 0212827	ECROU M6
5	354597	QUICK NUT TRT M8-1 0212829	TUER.RAPIDA TRT M8-1 0212829	ECROU RAPIDE TRT M8-1 0212829
6	614073	CLAMP TEIGHTENER	TENSOR ABRAZADERA	TENDEUR BRIDE
7	517656	COVER ABSORBER PROFILE	PERFIL AMORTIGUADOR TAPA	PROFILE AMORTISSEUR COUVERCLE
8	584714	DRAIN BRACKET	SOPORTE DESAGÜE	SUPPORT VIDANGE
9	574780	COVER PLATE FIXING	CHAPA FIJACION TAPA	PLAQUE FIXATION COUVERCLE
10	588426	CHASSIS FRONT PLATE	PLACA CHASIS FRONTAL	PLAQUE CHASSIS FRONTAL
11	150227	BICR HEX NUT DIN934-8 M6	TUER.EX.DIN934-8 B.TRI.M 6	ECROU HEX DIN934-8 BICR.M6
12	338103	HEX SCREW DIN931-8.8 M12X260	TOR.EX.DIN931-8.8B.TRI.M12X260	VIS HEX DIN931-8.8 M12X260
13	122036	HEX SCREW 8G DIN-931 M-12X80	TOR.EX.DIN931-8.8 B.TRI.M12X80	VIS HEX 8G DIN-931 M-12X80
14	146563	BICR HEX SCREW DIN933 M-10X100	TOR.EX.DIN933-88 B.TRI.M10X100	VIS HEX DIN-933-8.8 BI.M10X100
15	146506	8G HEX.SCREW DIN 933 M-10X30	TOR.EX.DIN933-8.8 B.TRI.M10X30	VIS HEX. 8G DIN 933 M-10X30
16	146316	BICR.HEX SCREW DIN933-8 M-6X20	TOR.EX.DIN933-8.8 B.TRI.M 6X20	VIX HEX BICR.DIN933-8.8 M-6X20
17	192849	BIC.HEX SCREW DIN933-8 M-8X25	TOR.EX.DIN933-8.8 B.TRI.M 8X25	VIS HEX.DIN933-8,8 BICR.M-8X25
18	598011	HOLDING-DOWN BUMP	ESPARRAGO ANCLAJE	GOUJON SCELLEMENT
19	598284	HOLDING-DOWN BUMP WASHER	ARANDELA ESPARRAGO ANCLAJE	RONDELLE GOUJON SCELLEMENT
20	588624	LANE LEFT PROFILE	PERFIL LONGITUDINAL IZQUIERDO	PROFILE LONGITUDINALE GAUCHE
21	588657	LANE RIGHT PROFILE	PERFIL LONGITUDINAL DERECHO	PROFILE LONGITUDINALE DROIT
22	588418	MOTOR CHASSIS PLATE	PLACA CHASIS MOTOR	PLAQUE MOTOR CHASSIS
23	338095	MOTOR NUT BRACKET	SOPORTE TUERCA MOTOR	SUPPORT ECROU MOTEUR
24	431163	MOTOR PROTECTION	PROTECCION MOTOR	PROTECTION MOTEUR
25	585521	MOTOR PULLEY MT103-140/4-M	POLEA MOTOR MT103-140/4-M	POULIE MOTEUR MT103-140/4-M
26	588491	MOTOR SEPARATOR	SEPARADOR MOTOR	SEPARATION MOTEUR
27	585166	MOTOR SET MT103-140/4-M	CONJUNTO MOTOR MT103-140/4-M	ENSEMBLE MOTEUR MT103-140/4-M
	10262061	BEARING 6307-2Z/C3 (END PULLEY)	RODAMIENTO 6307-2Z C3 GRASA WT (EXTREMO POLEA)	ROULEMENT 6307-2Z/C3 (FINAL POULIE)

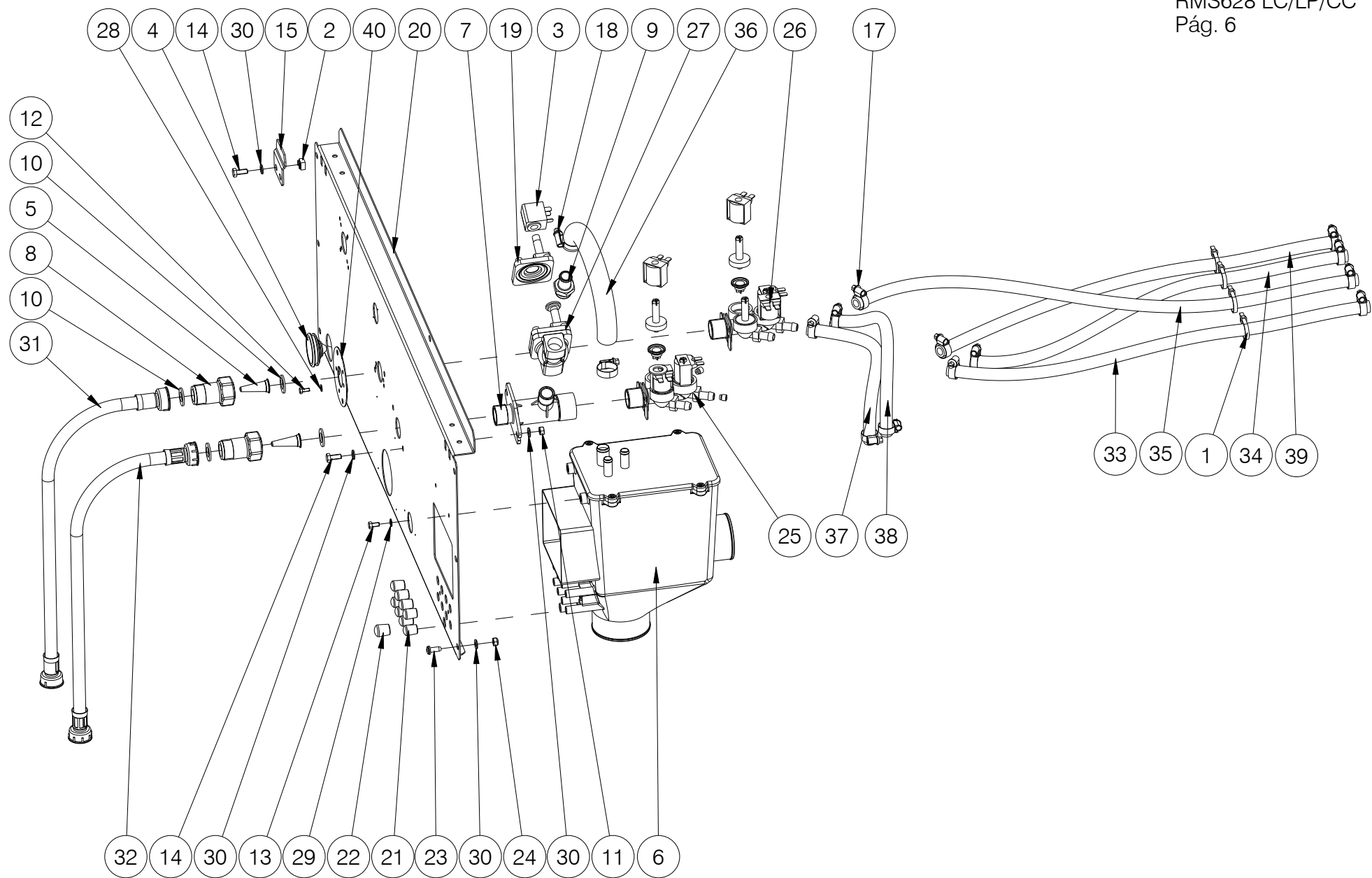
Nº	REF	DENOMINATION	DENOMINACIÓN	DENOMINATION
	525790	BEARING 6305-2Z/C3 (OPPOSITE END PULLEY)	RODAMIENTO 6305-2Z/C3 (EXTREMO OPUESTO POLEA)	ROULEMENT 6305-2Z/C3 (FINAL OPPOSE POULIE)
28	432203	MOTOR SILENTBLOCK	SILENTBLOC MOTOR	SILENTBLOCK MOTEUR
29	423103	MOTOR SLEEVE	CASQUILLO MOTOR	FRETTE MOTEUR
30	588384	OUTER-DRUM CLAMP	ABRAZADERA ENVOLVENTE	BRIDE CUVE
31	588319	OUTER-DRUM SUPPORT PROFILE	PERFIL APOYO ENVOLVENTE	PROFILE APPUI CUVE
32	10099406	POSITIONER	POSICIONADOR	POSITIONNEUR
33	588392	CHASSIS PLATE	PLACA CHASIS	PLAQUE CHASSIS
34	588467	RENFORT ANGLE	ANGULO REFUERZO	ANGLE RENFORT
35	588475	RENFORT ANGLE	ANGULO REFUERZO	ANGLE RENFORT
36	10424745	RUBBER COMPOUND	GOMA COMPUESTA	CAOUTCHOUC COMPOSE
37	343434	SCREW 512TTAET M5X12	TORNILLO 512TTAET M5X12 (ESPECIAL)	VIS 512TTAET M5X12
38	328229	SCREW ALO.T25 AR.18ESTR.M 4X10	TORNILLO ALOM.T25 M 4X10 (ESPECIAL) *	VIS ALOM.T25 AR.18ESTR.M 4X10
39	332627	SCREW REF. TT85 T M3 X16	TOR. REF. TT85 T M3 X16	VIS REF.TT85 T M3 X16
40	150649	SELF-LOCKING NUT DIN985-8 B.TRI.M10	TUER.AUTOB.DIN985-8 B.TRI.M10	ECROU AUTOBLOCANT DIN985-8 B.TRI.M10
41	150656	SELF-LOCKING NUT DIN985-8 B.TRI.M12	TUER.AUTOB.DIN985-8 B.TRI.M12	ECROU AUTOBLOCANT DIN985-8 B.TRI.M12
42	164285	SELF-LOCKING NUT DIN985-8 B.TRI.M8	TUER.AUTOBL.DIN985-8 B.TRI.M8	ECROU AUTOBLOCANT DIN985-8 B.TRI.M8
43	585562	STAR TOLER.RING 0820-035-09	ANILLO TOLER.STAR 0820-035-09	BAGUE TOLER.STAR 0820-035-09
44	149500	BICR.WASHER B DIN125-ST 10,5	ARAN.B DIN125-ST B.TRI.10,5	RONDELLE B DIN125-ST BICR.10,5
45	149419	BICR.WASHER B DIN125-ST 13	ARAN.B DIN125-ST B.TRI.13	RONDELLE B DIN125-ST BICR.13
46	149526	BICR.WASHER B DIN125-ST 6,4	ARAN.B DIN125-ST B.TRI. 6,4	RONDELLE B DIN125-ST BICR.6,4
47	149518	BICR.WASHER B DIN125-ST 8,4	ARAN.B DIN125-ST B.TRI. 8,4	RONDELLE.B DIN125-ST BICR.8,4
48	278861	WASHER 26X12,5X6	ARANDELA 26X12.5X6 TRIVALEN.	RONDELLE 26X12,5X6
49	432674	WIRE PROTECTION	PROTECCION CABLES	PROTECTION CABLES



Nº	REF	DENOMINATION	DENOMINACIÓN	DENOMINATION
1	140525	CLAMP 2244-0	BRIDA UNEX 2244-0 *	BRIDE 2244-0
2	328575	QUICK NUT TRT M5-1 0212831-6	TUER.RAPIDA TRT M5-1 0212831-6	ECROU RAPIDE TRT M5-1
3	332114	NUT M6	TUER.RAPIDA TRT M6-1 0212827	ECROU M6
4	439000	COVER ABSORBER PROFILE	PERFIL AMORTIGUADOR TAPA	PROFILE AMORTISSEUR COUVERCLE
5	517136	UPPER SOAP DISPENSER LID CC-USA (REMO70)	TAPA DOSIFICADOR SUP.CC-USA (REMO70)	COUVERCLE BAC A PRODUITS SUP. CC-USA (REMO70)
6	517508	UPPER SOAP DISPENSER LID (RMS628)	TAPA DOSIFICADOR SUP. (RMS628)	COUVERCLE BAC A PRODUITS SUP. (RMS628)
7	444398	FRAME FIXATION SLEEVE	CASQUILLO FIJACION MARCO	FRETTE FIXATION CADRE
8	587915	FRONT COVER FIXING-PIECE	FIJACION TAPA FRONTAL	FIXATION COUVERCLE FRONTAL
9	144782	INOX HEX SCREW DIN933 M 5X15	TOR.EX.DIN933INOX A2-70 M 5X15	VIS HEX INOX DIN933 M 5X15
10	144907	INOX HEX SCREW DIN 933 M-6X10	TOR.EX.DIN933INOX A2-70 M 6X10	VIS HEX INOX DIN 933 M-6X10
11	423327	HOSE FIXING PROFILE	PERFIL FIJACION TUBOS	PROFILE FIXATION TUBES
12	196915	LOCK RE.20.00.02.05	CERRADURA REF.20.00.02.05 *	FERMETURE REF.20.00.02.05
	196923	LOCK KEY RE.10.41.213	LLAVE REF.10.41.213 COMB.T-205	CLE FERMETURE REF.10.41.213
13	589564	LOWER FRONT COVER (INOX)	TAPA FRONTAL INFERIOR (INOX)	COUVERCLE FRONTAL INFERIEUR (INOX)
14	589572	LOWER FRONT COVER (PRE-COATED)	TAPA FRONTAL INFERIOR (PRE-COATED)	COUVERCLE FRONTAL INFERIEUR (PRE-COATED)
15	322909	LOWER PANEL PIVOT	PIVOTE TAPA INFERIOR	PIVOT COUVERCLE INFERIEUR
16	589853	LOWER REAR COVER	TAPA POSTERIOR INFERIOR	COUVERCLE ARRIERE INFERIEUR
17	613885	LOWER REAR COVER (2 DRAINS)	TAPA POSTERIOR INFERIOR (2 DESAGÜES)	COUVERCLE ARRIERE INFERIEUR (2 VIDANGES)
18	193540	MIKALOR QUICK FIXING 211038-8	SUJEC.RAPIDA MIKALOR 211038-8	FIXATION RAPIDE MIKALOR 211038-8
19	406298	PANEL FIXING RENFORT	REFUERZO FIJACION TAPAS	REFORT FIXATION COUVERCLES
20	183400	PLATE SCREW ST-4, 20 P.F. C/AL.T25 (ONLY KOREA)	TORNILLO CHAPA ST-4 (ESPECIAL)* (SOLO COREA)	VIS PLAQUE ST-4, 20 P.F. C/AL.T25 (SEULEMENT CORÉE)
21	183400	PLATE SCREW ST-4, 20 P.F. C/AL.T25 (ONLY KOREA)	TORNILLO CHAPA ST-4 (ESPECIAL)* (SOLO COREA)	VIS PLAQUE ST-4, 20 P.F. C/AL.T25 (SEULEMENT CORÉE)
22	149153	PLATE SCREW ST-4, 80 P.C. A/AL.T25	TORNILLO CHAPA ST-4 (ESPECIAL)*	VIS PLAQUE ST-4, 80 P.C. A/AL.T25
23	608257	REAR COVER	TAPA POSTERIOR	COUVERCLE ARRIERE
24	323717	END PIECE	CANTONERA	ARRET

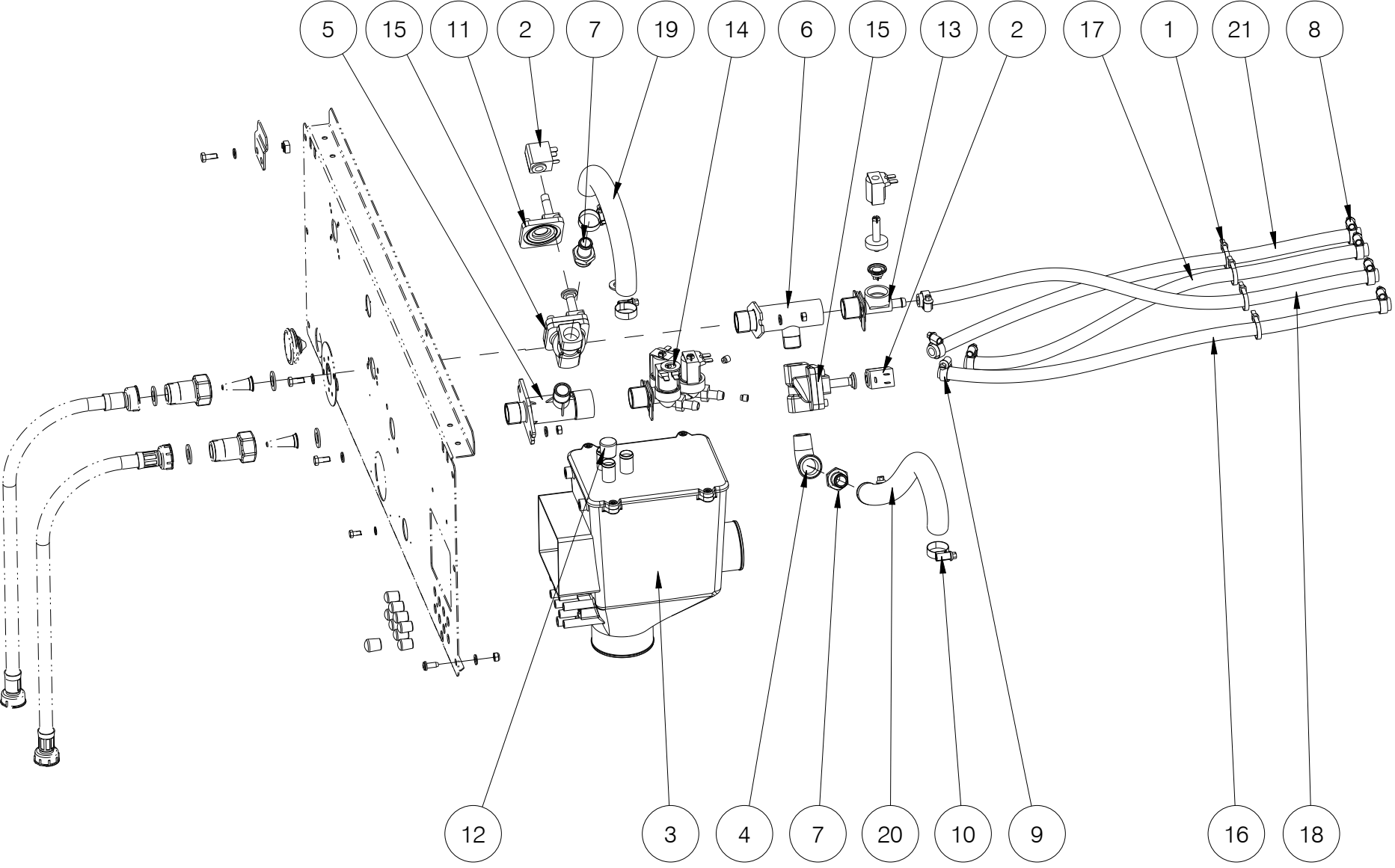
Nº	REF	DENOMINATION	DENOMINACIÓN	DENOMINATION
25	326660	SCREW 412RFX87T INOXA2 4X12	TORNILLO 412RFX87T INOXA2 4X12(ESPECIAL)	VIS 412RFX87T INOXA2 4X12
26	146134	BICR CYL SCREW DIN84 M-5X20	TOR.CIL.DIN84-4.8 B.TRI.M 5X20	VIS CYL BICR DIN84-4.8 M-5X20
27	333625	SCREW T25 A18EST.M6X15 TRI.	TOR.ALOM.T25 A18EST.M6X15 TRI.(ESPECIAL)	VIS T25 A18EST.M6X15 TRI.
28	333294	SCREW T25 AR.18ESTR.M 6X15 INOX	TORNILLO ALOM.T25 M 6X15 INOX(ESPECIAL)*	VIS T25 AR.18ESTR.M 6X15 INOX
29	176826	SELF-LOCKING NUT DIN985-8 B.TRI.M5	TUER.AUTOBL.DIN985-8 B.TRI.M5	ECROU AUTOBLOCANT DIN 985-8 B.TRI.M5
30	176834	SELF-LOCKING NUT DIN985-8 B.TRI.M6	TUER.AUTOBL.DIN985-8 B.TRI.M6	ECROU AUTOBLOCANT DIN985-8 B.TRI.M6
31	10556603	SIDE COVER (PRE-COATED)	TAPA LATERAL (PRE-COATED)	PANNEAU LATÉRAL (PRE-COATED)
32	10558245	SIDE COVER (PRE-COATED)	TAPA LATERAL (PRE-COATED)	PANNEAU LATÉRAL (PRE-COATED)
33	10599371	SIDE COVER (INOX)	TAPA LATERAL (INOX)	PANNEAU LATÉRAL (INOX)
34	10599447	SIDE COVER (INOX)	TAPA LATERAL (INOX)	PANNEAU LATÉRAL (INOX)
35	608380	SOAP DISP.HOLDING-DOWN PROFILE	PERFIL ANCLAJE DOSIFICADOR	PROFILE SCELLEMENT BAC A PROD.
36	431742	SOAP DISPENSER BRACKET	SOPORTE DOSIFICADOR	SUPPORT BAC A PRODUITS
37	608034	STEAM INLET PROTECTION (ONLY KOREA) (FOR MACHINES WITHOUT STEAM)	PROTECCION ENTRADA VAPOR (SOLO COREA) (PARA MODELOS SIN VAPOR)	PROTECTION ENTREE VAPEUR (SEULEMENT CORÉE) (POUR MACHINES SANS VAPEUR)
38	607580	STEAM PROTECTION PLATE (ONLY KOREA) (FOR MACHINES WITHOUT STEAM)	CHAPA PROTECCION VAPOR (SOLO COREA) (PARA MODELOS SIN VAPOR)	PLAQUE PROTECTION VAPEUR (SEULEMENT CORÉE) (POUR MACHINES SANS VAPEUR)
39	323808	TOE PLATE	ZOCALO	PLAQUE HABILLAGE INF.
40	590539	TOP COVER BLIND PROTECTOR (WITHOUT SOAP DISPENSER)	PROTECTOR TAPA SUPERIOR CIEGA* (SIN DOSIFICADOR)	AVEUGLE SUPERIEUR PROTECTEUR COUVERCLE (NAS BAC A PRODUITS)
41	606996	UPPER COVER (INOX)	TAPA SUPERIOR (INOX)	COUVERCLE SUPERIEUR (INOX)
42	607044	UPPER COVER (PRE-COATED)	TAPA SUPERIOR (PRE-COATED)	COUVERCLE SUPERIEUR (PRE-COATED)
43	607093	UPPER COVER (WITHOUT SOAP DISPENSER) (INOX)	TAPA SUPERIOR (SIN DOSIFICADOR) (INOX)	COUVERCLE SUPERIEUR (NAS BAC A PRODUITS) (INOX)
44	607119	UPPER COVER (WITHOUT SOAP DISPENSER) (PRE-COATED)	TAPA SUPERIOR (SIN DOSIFICADOR) (PRE-COATED)	COUVERCLE SUPERIEUR (NAS BAC A PRODUITS) (PRE-COATED)
45	242115	UPPER COVER RENFORT	REFUERZO TAPA SUPERIOR	REFORT COUVERCLE SUPERIEUR

N°	REF	DENOMINATION	DENOMINACIÓN	DENOMINATION
46	149534	BICR.WASHER B DIN125-ST 5,3	ARAN.B DIN125-ST BICR. 5,3	RONDELLE B BICR.DIN125-ST 5,3
47	149310	INOX.A2 WASHER DIN125 6,4	ARAN. DIN125 INOX A2 6,4	RONDELLE INOX.A2 DIN125 6,4
48	149526	BICR.WASHER B DIN125-ST 6,4	ARAN.B DIN125-ST B.TRI. 6,4	RONDELLE B DIN125-ST BICR.6,4
49	153205	WASHER 20X7X2	ARANDELA 20X7X2 TRIVALEN.	RONDELLE 20X7X2



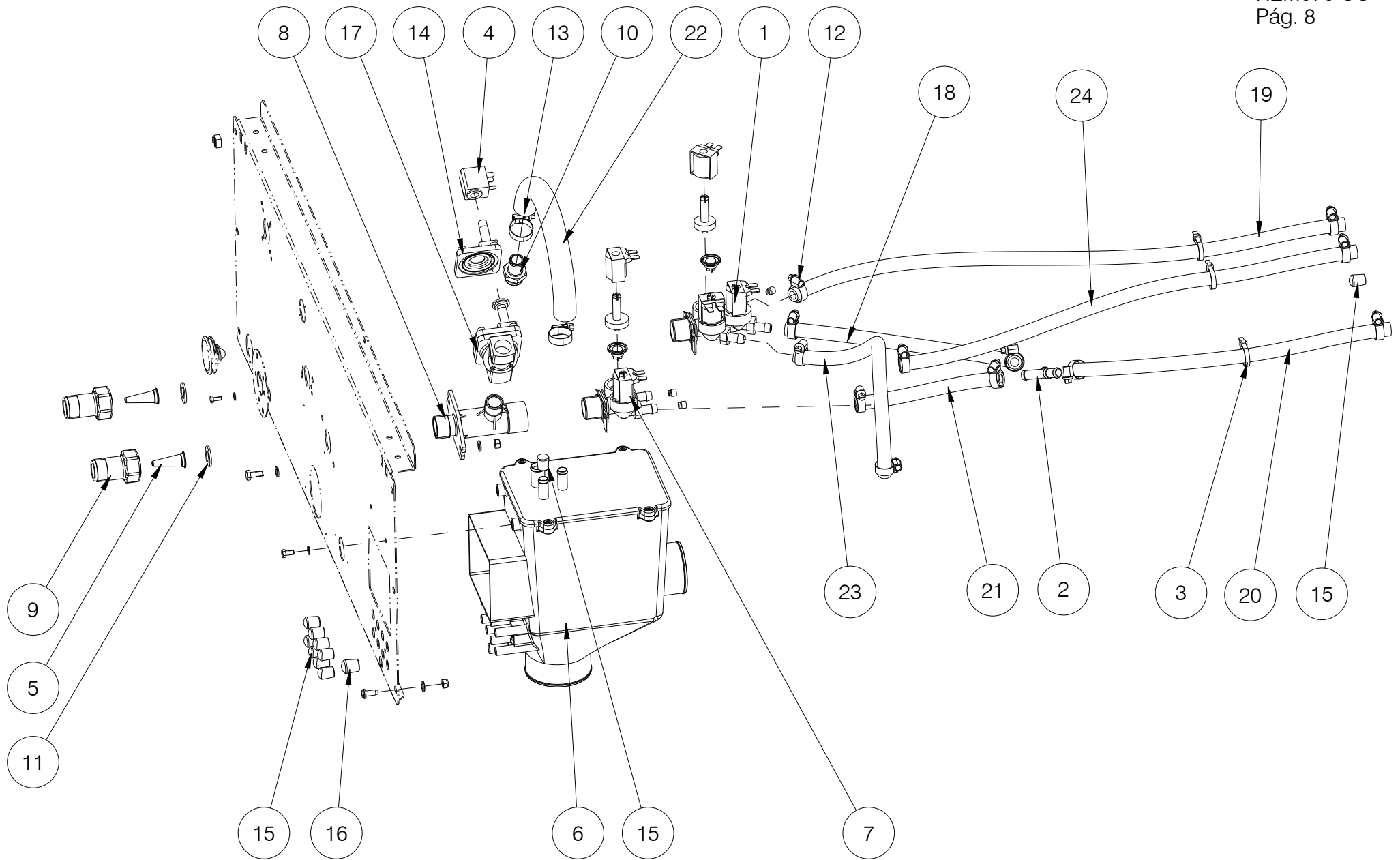
Nº	REF	DENOMINATION	DENOMINACIÓN	DENOMINATION
1	140525	CLAMP 2244-0	BRIDA UNEX 2244-0 *	BRIDE 2244-0
2	165019	CAGED NUT M-6 0,5-1,5 R.310007-9	TUER.ENJ.M6 0,5-1,5 R.310007-9	*ECROU PRESIONER M-6 0,5-1,5 R.310007-9
3	333716	COIL AB 5W 12V CC 042N0806	BOBINA AB 5W 12V CC 042N0806	BOBINE AB 5W 12V CC 042N0806
4	139683	CONE ECPC-6	CONO HIMEL ECPC-6	CONE ECPC-6
5	315614	CONICAL FILTER REF.4008-2-1	FILTRO CONICO REF.4008-2-1	FILTRE CONIQUE REF.4008-2-1
6	339689	DISTRIBUTOR	DISTRIBUIDOR	DISTRIBUTEUR
7	333682	ELECTROVALVE BRACKET	SOPORTE ELECTROVALVULAS	SUPPORT ELECTROVANNES
8	315317	FILTER BODY	CUERPO FILTRO	CORPS FILTRE
9	333690	FIG. 243 MI 1/2" BRASS	FIGURA 243 MI DE 1/2" LATON	FIG. 243 MI 1/2" LAITON
10	114348	GASKET D24XD13,5X2	JUNTA MIFLEX D24X13, 5X2 EPDM WRC 400105	JOINT D24XD13,5X2
11	150227	BICR HEX NUT DIN934-8 M6	TUER.EX.DIN934-8 B.TRI.M 6	ECROU HEX DIN934-8 BICR.M6
12	146258	BIC.HEX SCREW DIN933-4.8 M4X10	TOR.EX.DIN933-4.8 B.TRI.M 4X10	VIS HEX DIN933-4.8 BICR.M 4X10
13	146274	BICR.HEX SCREW DIN933-8 M-5X10	TOR.EX.DIN933-8.8 B.TRI.M 5X10	VIS HEX.BICR.DIN933-8.8 M-5X10
14	146233	BICR.HEX SCREW DIN933-8 M6X15	TOR.EX.DIN933-8.8 B.TRI.M 6X15	VIS HEX DIN933-8.8 BICR.M6X15
15	606954	TOP COVER HINGE	BISAGRA TAPA SUPERIOR	CHARNIERE COUVERCLE SUPERIEUR
16	155150	HOSE CLIP ASFA-L W2 8-16	ABRAZADERA ASFA-L W2 8-16	COLLIER ASFA-L W2 8-16
17	155150	HOSE CLIP ASFA-L W2 8-16	ABRAZADERA ASFA-L W2 8-16	COLLIER ASFA-L W2 8-16
18	156109	CLAMP 16-27	ABRAZADERA 16- 27 *	BRIDE 16-27
19	341685	SPARE-PARTS KIT EV220A 12-14B	KIT REPUES.EV220A 12-14B *	KIT RECHANGES EV220A 12-14B
20	606558	PANEL POSTERIOR	PANEL POSTERIOR	PANEL POSTERIOR
21	156679	CONICAL END-PIECE R-16 D10	TOPE CONICO REPRIMSA R-16 D10	BOUCHON CONIQUE R-16 D10
22	357624	CONICAL END-PECE R-16 D12	TOPE CONICO REPRIMSA R-16 D12	BOUCHON CONIQUE R-16 D12
23	333625	SCREW T25 A18EST.M6X15 TRI.	TOR.ALOM.T25 A18EST.M6X15 TRI.(ESPECIAL)	VIS T25 A18EST.M6X15 TRI.
24	176834	SELF-LOCKING NUT DIN985-8 B.TRI.M6	TUER.AUTOBL.DIN985-8 B.TRI.M6	ECROU AUTOBLOCANT DIN985-8 B.TRI.M6
25	511139	THREE TRACK ELECTROVALVE	ELECTROVALVULA TRES VIAS	ELECTROVANNE TROIS VOIES
	156265	REGULATOR 3 L/MIN (BLACK)	REGULADOR DE 3 L/MIN. (NEGRO)	REGULATEUR 3 L/MIN (NOIR)
	510933	REGULATOR 4 L/MIN.RED	REGULADOR DE 4L/MIN.ROJO CLARO	REGULATEUR 4 L/MIN ROUGE
	300194	YELLOW CASE 30053	ESTUCHE AMARILLO 30053	BOITE JAUNE 30053

N°	REF	DENOMINATION	DENOMINACIÓN	DENOMINATION
	300202	INTEGRAL GUIDE-MEMBRANE 30696	MEMBRANA-GUIA INTEGRAL 30696 *	MEMBRANE-GUIDE INTEGRALE 30696
	332296	COIL 255043000000 12VCC	BOBINA 255043000000 12VCC	BOBINE 255043000000 12VCC
26	333674	TRIPLE ELECTROVALVE 369 180°	ELECTROV.TRIPLE 369 180°12VCC*	ELECTROVANNE TRIPLE 369 180°
	300194	YELLOW CASE 30053	ESTUCHE AMARILLO 30053	BOITE JAUNE 30053
	300202	INTEGRAL GUIDE-MEMBRANE 30696	MEMBRANA-GUIA INTEGRAL 30696 *	MEMBRANE-GUIDE INTEGRALE 30696
	332296	COIL 255043000000 12VCC	BOBINA 255043000000 12VCC	BOBINE 255043000000 12VCC
27	333708	VALVE EV220A G12 042U4022	CUERPO VAL.EV220A G12 042U4022	VANNE EV220A G12 042U4022
28	149476	BICR.WASHER B DIN125-ST 4,3	ARAN.B DIN125-ST B.TRI. 4,3	RONDELLE B DIN125-ST BICR.4,3
29	149534	BICR.WASHER B DIN125-ST 5,3	ARAN.B DIN125-ST BICR. 5,3	RONDELLE B BICR.DIN125-ST 5,3
30	149526	BICR.WASHER B DIN125-ST 6,4	ARAN.B DIN125-ST B.TRI. 6,4	RONDELLE B DIN125-ST BICR.6,4
31	326587	WATER INLET AC DI12,5 L1,5M	TUBO ENTRADA AC DI12,5 L1,5M *	FLEXIBLE ENTRÉE AC DI12,5 L1,5
32	326579	WATER INLET AF DI12,5 L1,5M	TUBO ENTRADA AF DI12,5 L1,5M *	FLEXIBLE ENTRÉE AF DI12,5 L,5M
33	116632	WATER INLET HOSE	TUBO ENTRADA AGUA	TUBE ENTREE EAU
34	358085	WATER INLET HOSE	TUBO ENTRADA AGUA	TUBE ENTREE EAU
35	411124	WATER INLET HOSE	TUBO ENTRADA AGUA	TUBE ENTREE EAU
36	427211	WATER INLET HOSE	TUBO ENTRADA AGUA	TUBE ENTREE EAU
37	430934	WATER INLET HOSE	TUBO ENTRADA AGUA	TUBE ENTREE EAU
38	430934	WATER INLET HOSE	TUBO ENTRADA AGUA	TUBE ENTREE EAU
39	430934	WATER INLET HOSE	TUBO ENTRADA AGUA	TUBE ENTREE EAU
40	606939	FIXING PLATE VALVE	CHAPA FIJACION VALVULA	PLATEAU FIXATION VANNE



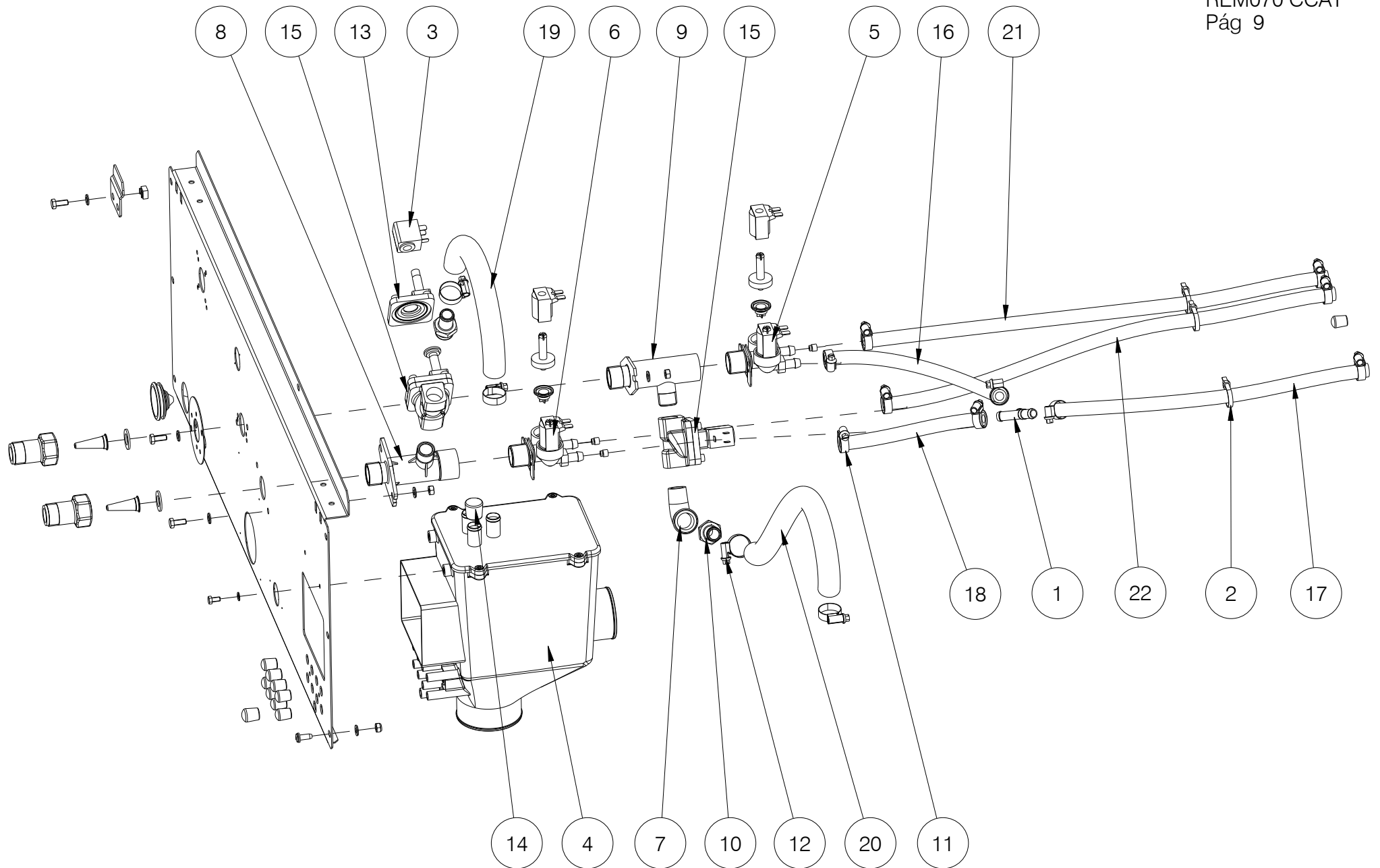
Nº	REF	DENOMINATION	DENOMINACIÓN	DENOMINATION
1	140525	CLAMP 2244-0	BRIDA UNEX 2244-0 *	BRIDE 2244-0
2	333716	COIL AB 5W 12V CC 042N0806	BOBINA AB 5W 12V CC 042N0806	BOBINE AB 5W 12V CC 042N0806
3	333658	DISTRIBUTOR	DISTRIBUIDOR	DISTRIBUTEUR
4	129494	ELBOW FIG 92 1/2" GALV	FIGURA 92 DE 1/2"AMAT GALV.	COUDE FIG 92 1/2" GALV
5	333682	ELECTROVALVE BRACKET	SOPORTE ELECTROVALVULAS	SUPPORT ELECTROVANNES
6	552133	ELECTROVALVE BRACKET	SOPORTE ELECTROVALVULAS	SUPPORT ELECTROVANNES
7	333690	FIG. 243 MI 1/2" BRASS	FIGURA 243 MI DE 1/2" LATON	FIG. 243 MI 1/2" LAITON
8	155150	HOSE CLIP ASFA-L W2 8-16	ABRAZADERA ASFA-L W2 8-16	COLLIER ASFA-L W2 8-16
9	155150	HOSE CLIP ASFA-L W2 8-16	ABRAZADERA ASFA-L W2 8-16	COLLIER ASFA-L W2 8-16
10	156109	CLAMP 16-27	ABRAZADERA 16- 27 *	BRIDE 16-27
11	341685	SPARE-PARTS KIT EV220A 12-14B	KIT REPUES.EV220A 12-14B *	KIT RECHANGES EV220A 12-14B
12	156687	CONICAL END-PIECE R-16 D16	TOPE CONICO REPRIMSA R-16 D16	ARRET CONIQUE R-16 D16
13	323329	SIMPLE ELECTROVALVE 329 180	ELECTROV.SIMPLE 329 180	ELECTROVANNE SIMPLE 329 180
	300194	YELLOW CASE 30053	ESTUCHE AMARILLO 30053	BOITE JAUNE 30053
	300202	INTEGRAL GUIDE-MEMBRANE 30696	MEMBRANA-GUIA INTEGRAL 30696 *	MEMBRANE-GUIDE INTEGRALE 30696
	332296	COIL 255043000000 12VCC	BOBINA 255043000000 12VCC	BOBINE 255043000000 12VCC
14	511139	THREE TRACK ELECTROVALVE	ELECTROVALVULA TRES VIAS	ELECTROVANNE TROIS VOIES
	156265	REGULATOR 3 L/MIN (BLACK)	REGULADOR DE 3 L/MIN. (NEGRO)	REGULATEUR 3 L/MIN (NOIR)
	510933	REGULATOR 4 L/MIN.RED	REGULADOR DE 4L/MIN.ROJO CLARO	REGULATEUR 4 L/MIN ROUGE
	300194	YELLOW CASE 30053	ESTUCHE AMARILLO 30053	BOITE JAUNE 30053
	300202	INTEGRAL GUIDE-MEMBRANE 30696	MEMBRANA-GUIA INTEGRAL 30696 *	MEMBRANE-GUIDE INTEGRALE 30696
	332296	COIL 255043000000 12VCC	BOBINA 255043000000 12VCC	BOBINE 255043000000 12VCC
15	333708	VALVE EV220A G12 042U4022	CUERPO VAL.EV220A G12 042U4022	VANNE EV220A G12 042U4022
16	116632	WATER INLET HOSE	TUBO ENTRADA AGUA	TUBE ENTREE EAU
17	358085	WATER INLET HOSE	TUBO ENTRADA AGUA	TUBE ENTREE EAU
18	411140	WATER INLET HOSE	TUBO ENTRADA AGUA	TUBE ENTREE EAU
19	427211	WATER INLET HOSE	TUBO ENTRADA AGUA	TUBE ENTREE EAU
20	427229	WATER INLET HOSE	TUBO ENTRADA AGUA	TUBE ENTREE EAU

N°	REF	DENOMINATION	DENOMINACIÓN	DENOMINATION
21	430934	WATER INLET HOSE	TUBO ENTRADA AGUA	TUBE ENTREE EAU



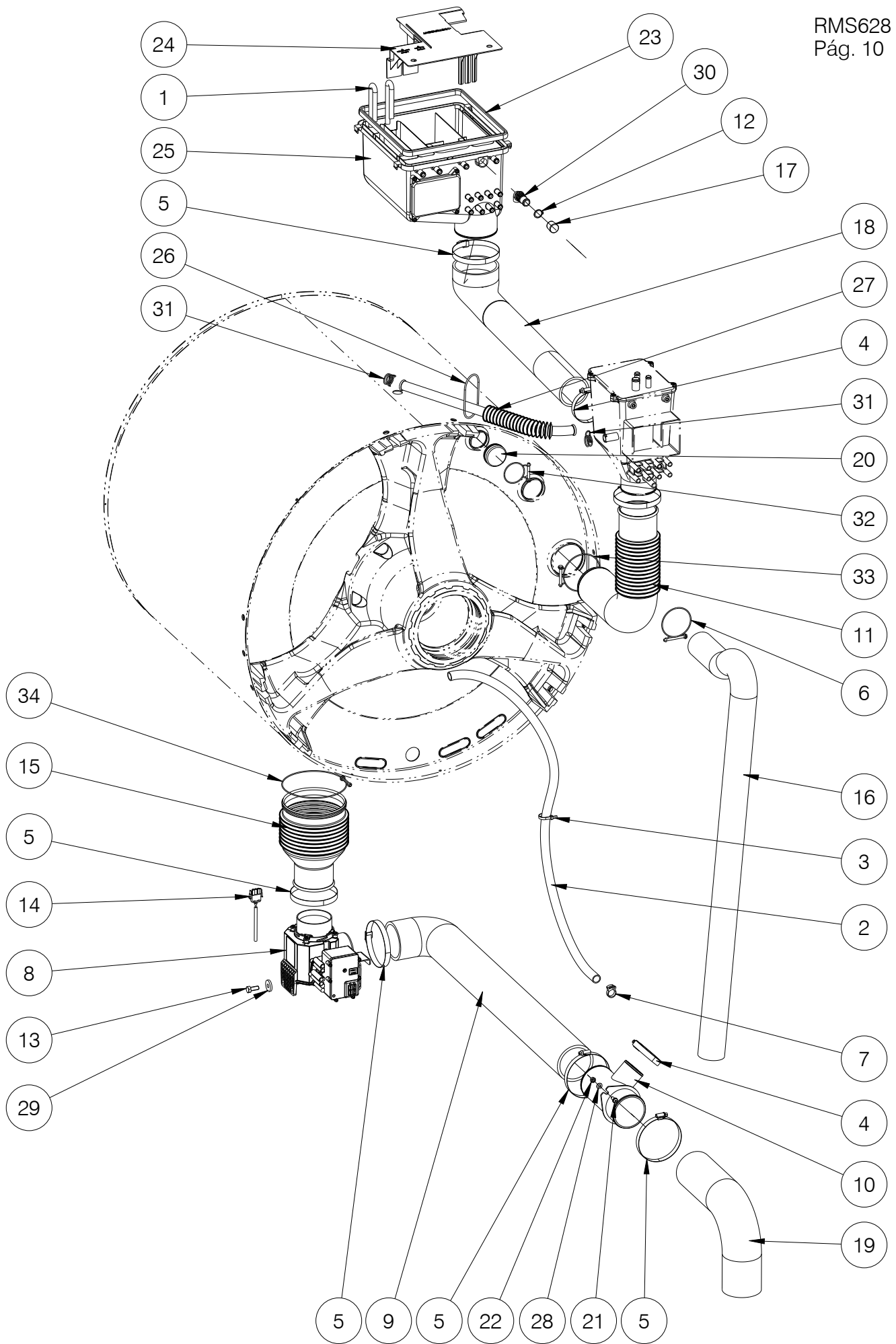
Nº	REF	DENOMINATION	DENOMINACIÓN	DENOMINATION
1	511022	THREE TRACK ELECTROVALVE	ELECTROVALVULA TRES VIAS	ELECTROVANNE TROIS VOIES
	510933	REGULATOR 4 L/MIN.RED	REGULADOR DE 4L/MIN.ROJO CLARO	REGULATEUR 4 L/MIN ROUGE
	300194	YELLOW CASE 30053	ESTUCHE AMARILLO 30053	BOITE JAUNE 30053
	300202	INTEGRAL GUIDE-MEMBRANE 30696	MEMBRANA-GUIA INTEGRAL 30696 *	MEMBRANE-GUIDE INTEGRALE 30696
	332296	COIL 255043000000 12VCC	BOBINA 255043000000 12VCC	BOBINE 255043000000 12VCC
2	152165	BRANCH	BIFURCACION	BIFURCATION
3	140525	CLAMP 2244-0	BRIDA UNEX 2244-0 *	BRIDE 2244-0
4	333716	COIL AB 5W 12V CC 042N0806	BOBINA AB 5W 12V CC 042N0806	BOBINE AB 5W 12V CC 042N0806
5	315614	CONICAL FILTER REF.4008-2-1	FILTRO CONICO REF.4008-2-1	FILTRE CONIQUE REF.4008-2-1
6	339689	DISTRIBUTOR	DISTRIBUIDOR	DISTRIBUTEUR
7	521294	DOUBLE ELECTROVALVE	ELECTROVALVULA DOS VIAS	ELECTROVANNE DOUBLE
	156257	REGULATOR 8 L/MIN (RED)	REGULADOR DE 8 L/MIN. (ROJO)	REGULATEUR 8 L/MIN (ROUGE)
	156265	REGULATOR 3 L/MIN (BLACK)	REGULADOR DE 3 L/MIN. (NEGRO)	REGULATEUR 3 L/MIN (NOIR)
	300194	YELLOW CASE 30053	ESTUCHE AMARILLO 30053	BOITE JAUNE 30053
	300202	INTEGRAL GUIDE-MEMBRANE 30696	MEMBRANA-GUIA INTEGRAL 30696 *	MEMBRANE-GUIDE INTEGRALE 30696
	332296	COIL 255043000000 12VCC	BOBINA 255043000000 12VCC	BOBINE 255043000000 12VCC
8	333682	ELECTROVALVE BRACKET	SOPORTE ELECTROVALVULAS	SUPPORT ELECTROVANNES
9	315309	FILTER BODY	CUERPO FILTRO	CORPS FILTRE
10	333690	FIG. 243 MI 1/2" BRASS	FIGURA 243 MI DE 1/2" LATON	FIG. 243 MI 1/2" LAITON
11	114348	GASKET D24XD13,5X2	JUNTA MIFLEX D24X13, 5X2 EPDM WRC 400105	JOINT D24XD13,5X2
12	155150	HOSE CLIP ASFA-L W2 8-16	ABRAZADERA ASFA-L W2 8-16	COLLIER ASFA-L W2 8-16
13	156109	CLAMP 16-27	ABRAZADERA 16- 27 *	BRIDE 16-27
14	341685	SPARE-PARTS KIT EV220A 12-14B	KIT REPUES.EV220A 12-14B *	KIT RECHANGES EV220A 12-14B
15	156679	CONICAL END-PIECE R-16 D10	TOPE CONICO REPRIMSA R-16 D10	BOUCHON CONIQUE R-16 D10
16	357624	CONICAL END-PECE R-16 D12	TOPE CONICO REPRIMSA R-16 D12	BOUCHON CONIQUE R-16 D12
17	333708	VALVE EV220A G12 042U4022	CUERPO VAL.EV220A G12 042U4022	VANNE EV220A G12 042U4022
18	410613	WATER INLET HOSE	TUBO ENTRADA AGUA	TUBE ENTRÉE EAU
19	411132	WATER INLET HOSE	TUBO ENTRADA AGUA	TUBE ENTREE EAU

N°	REF	DENOMINATION	DENOMINACIÓN	DENOMINATION
20	411371	WATER INLET HOSE	TUBO ENTRADA AGUA	TUBE ENTREE EAU
21	427187	WATER INLET HOSE	TUBO ENTRADA AGUA	TUBE ENTREE EAU
22	427211	WATER INLET HOSE	TUBO ENTRADA AGUA	TUBE ENTREE EAU
23	430934	WATER INLET HOSE	TUBO ENTRADA AGUA	TUBE ENTREE EAU
24	430934	WATER INLET HOSE	TUBO ENTRADA AGUA	TUBE ENTREE EAU



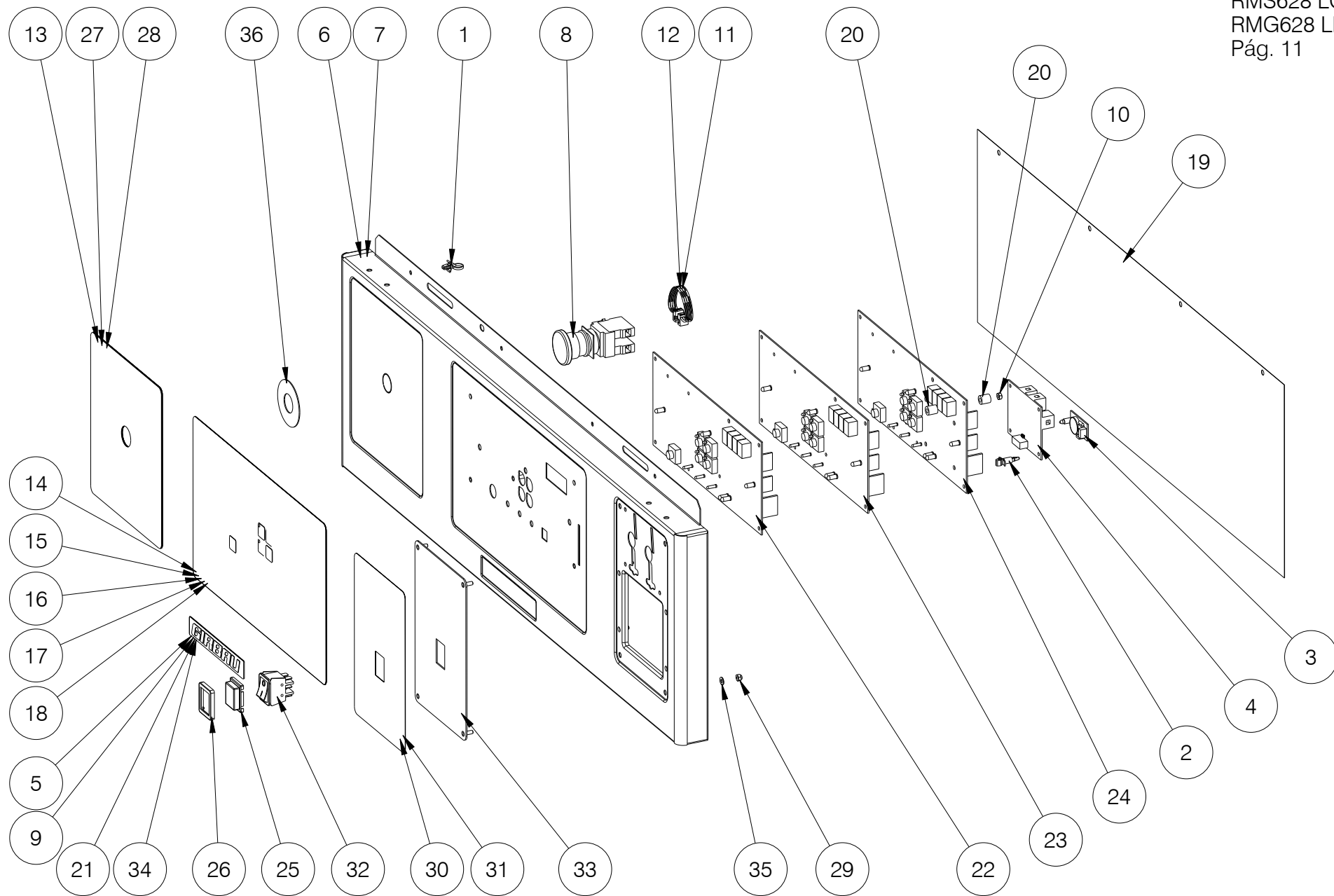
Nº	REF	DENOMINATION	DENOMINACIÓN	DENOMINATION
1	152165	BRANCH	BIFURCACION	BIFURCATION
2	140525	CLAMP 2244-0	BRIDA UNEX 2244-0 *	BRIDE 2244-0
3	333716	COIL AB 5W 12V CC 042N0806	BOBINA AB 5W 12V CC 042N0806	BOBINE AB 5W 12V CC 042N0806
4	333658	DISTRIBUTOR	DISTRIBUIDOR	DISTRIBUTEUR
5	511089	DOUBLE ELECTROVALVE	ELECTROVALVULA DOS VIAS	ELECTROVANNE DOUBLE
	510933	REGULATOR 4 L/MIN.RED	REGULADOR DE 4L/MIN.ROJO CLARO	REGULATEUR 4 L/MIN ROUGE
	300194	YELLOW CASE 30053	ESTUCHE AMARILLO 30053	BOITE JAUNE 30053
	300202	INTEGRAL GUIDE-MEMBRANE 30696	MEMBRANA-GUIA INTEGRAL 30696 *	MEMBRANE-GUIDE INTEGRALE 30696
	332296	COIL 255043000000 12VCC	BOBINA 255043000000 12VCC	BOBINE 255043000000 12VCC
6	521294	DOUBLE ELECTROVALVE	ELECTROVALVULA DOS VIAS	ELECTROVANNE DOUBLE
	156257	REGULATOR 8 L/MIN (RED)	REGULADOR DE 8 L/MIN. (ROJO)	REGULATEUR 8 L/MIN (ROUGE)
	156265	REGULATOR 3 L/MIN (BLACK)	REGULADOR DE 3 L/MIN. (NEGRO)	REGULATEUR 3 L/MIN (NOIR)
	300194	YELLOW CASE 30053	ESTUCHE AMARILLO 30053	BOITE JAUNE 30053
	300202	INTEGRAL GUIDE-MEMBRANE 30696	MEMBRANA-GUIA INTEGRAL 30696 *	MEMBRANE-GUIDE INTEGRALE 30696
	332296	COIL 255043000000 12VCC	BOBINA 255043000000 12VCC	BOBINE 255043000000 12VCC
7	129494	ELBOW FIG 92 1/2" GALV	FIGURA 92 DE 1/2"AMAT GALV.	COUDE FIG 92 1/2" GALV
8	333682	ELECTROVALVE BRACKET	SOPORTE ELECTROVALVULAS	SUPPORT ELECTROVANNES
9	552133	ELECTROVALVE BRACKET	SOPORTE ELECTROVALVULAS	SUPPORT ELECTROVANNES
10	333690	FIG. 243 MI 1/2" BRASS	FIGURA 243 MI DE 1/2" LATON	FIG. 243 MI 1/2" LAITON
11	155150	HOSE CLIP ASFA-L W2 8-16	ABRAZADERA ASFA-L W2 8-16	COLLIER ASFA-L W2 8-16
12	156109	CLAMP 16-27	ABRAZADERA 16- 27 *	BRIDE 16-27
13	341685	SPARE-PARTS KIT EV220A 12-14B	KIT REPUES.EV220A 12-14B *	KIT RECHANGES EV220A 12-14B
14	156687	CONICAL END-PIECE R-16 D16	TOPE CONICO REPRIMSA R-16 D16	ARRET CONIQUE R-16 D16
15	333708	VALVE EV220A G12 042U4022	CUERPO VAL.EV220A G12 042U4022	VANNE EV220A G12 042U4022
16	410613	WATER INLET HOSE	TUBO ENTRADA AGUA	TUBE ENTRÉE EAU
17	410621	WATER INLET HOSE	TUBO ENTRADA AGUA	TUYAU ENTRÉE EAU
18	427187	WATER INLET HOSE	TUBO ENTRADA AGUA	TUBE ENTREE EAU
19	427211	WATER INLET HOSE	TUBO ENTRADA AGUA	TUBE ENTREE EAU

N°	REF	DENOMINATION	DENOMINACIÓN	DENOMINATION
20	427229	WATER INLET HOSE	TUBO ENTRADA AGUA	TUBE ENTREE EAU
21	430934	WATER INLET HOSE	TUBO ENTRADA AGUA	TUBE ENTREE EAU
22	430934	WATER INLET HOSE	TUBO ENTRADA AGUA	TUBE ENTREE EAU



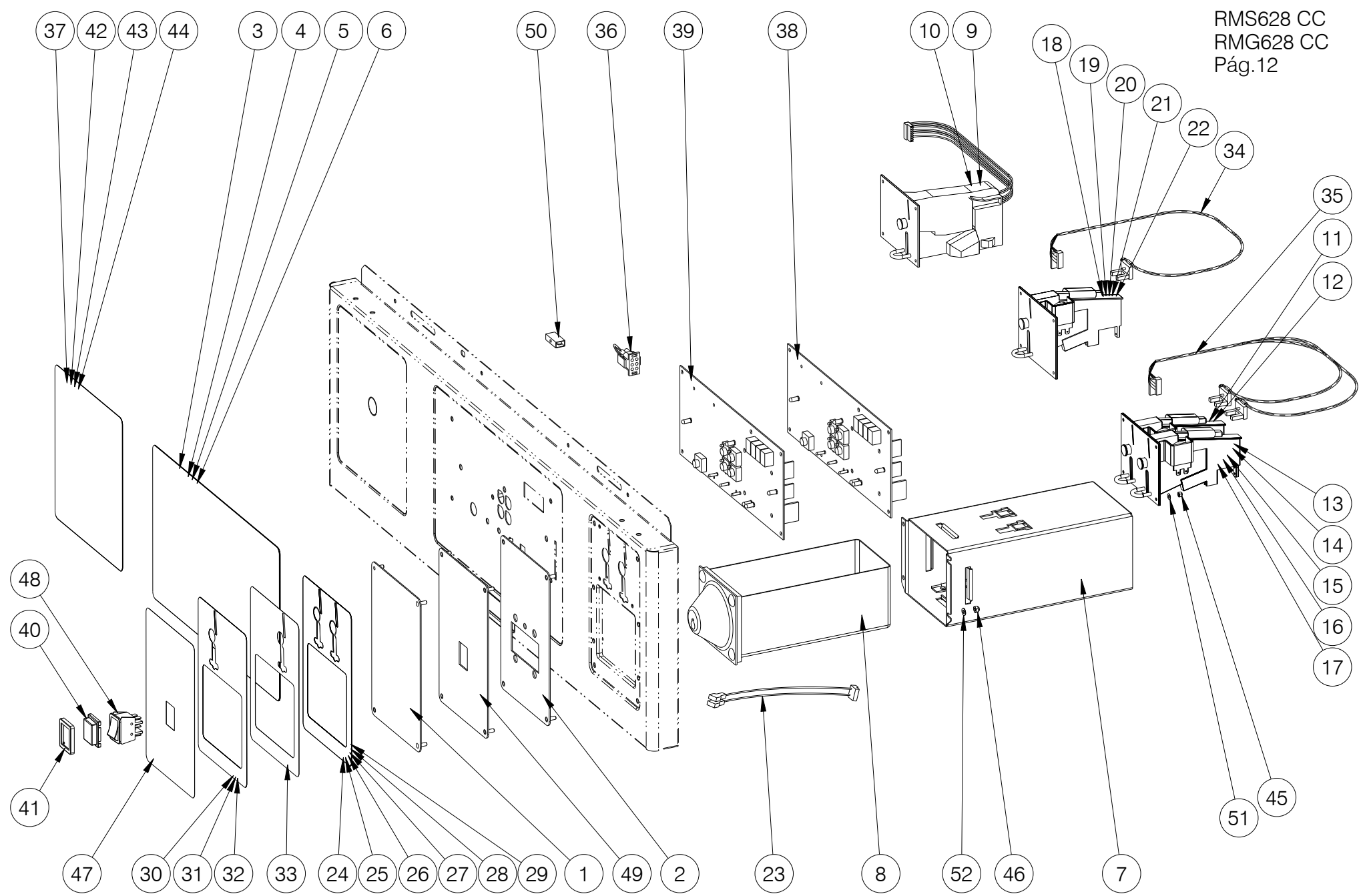
Nº	REF	DENOMINATION	DENOMINACIÓN	DENOMINATION
1	339598	ASPIRATION HOSE	TUBO ASPIRACION	TUBE ASPIRATION
2	10020808	BEARING BOX DRAIN HOSE	TUBO DESAGÜE CAJA COJINETES	TUBE VIDANGE BOITE ROULEMENTS
3	140525	CLAMP 2244-0	BRIDA UNEX 2244-0 *	BRIDE 2244-0
4	132290	CLAMP 301730-8 D50-70	ABRAZADERA 301730-8 D50- 70	BRIDE 301730-8 D50-70
5	132340	CLAMP REF.30173380-2 D80-100	ABRAZADERA REF.30173380-2 D80-100	BRIDE REF.30173380-2 D80-100
6	340505	WASHER SWHCFS 5850	ABRAZ.ALAMBRE SWHCFS 5850	RONDELLE SWHCFS 5850
7	323675	CLAMP NORMA 22HC0593	ABRAZADERA NORMA 22HC0593	COLLIER NORMA 22HC0593
8	600544	DRAIN G3-O-90	DESAGÜE G3-O-90	VIDANGE G3-O-90
9	588509	DRAIN HOSE	TUBO DESAGUE	TUBE VIDANGE
10	333575	DRAIN SLEEVE	MANGUITO DESAGÜE	FRETTE VIDANGE
11	603480	OUTERDRUM COLLECTOR BELLOWS	FUELLE COLECTOR ENVOLVENTE	DURITE COLLECTEUR CUVE
12	131508	FLEXIBLE RING E-17 DIN 471	ANILLO ELASTICO E-17 DIN 471	BAGUE ELASTIQUE E-17 DIN 471
13	146399	BICR HEX SCREW DIN933-8 M8X20	TOR.EX.DIN933-8.8 B.TRI.M 8X20	VIS HEX DIN933-8.8 BICR.M8X20
14	602763	INST. ELEC. CONNECTOR-DRAIN	INST. ELEC. CONECTORA-DESAGÜE	INST. ELEC. CONNECTEUR-VIDANGE
15	333500	OUTERDRUM DRAIN BELLOWS	FUELLE DESAGÜE ENVOLVENTE	DURITE VIDANGE CUVE
16	578062	PERFIL LONGITUDINAL DERECHO	TUBO REBOSADERO	PERFIL LONGITUDINAL DERECHO
17	156687	CONICAL END-PIECE R-16 D16	TOPE CONICO REPRIMSA R-16 D16	ARRET CONIQUE R-16 D16
18	340463	RUBBER ELBOW 515X66	CODO GOMA 515X66	COUDE GOMME 515X66
19	163253	DRAIN OUTLET HOSE	TUBO SALIDA DESAGÜE	TUBE SORTIE VIDANGE
20	349902	RUBBER PLUG D42	TAPON GOMA D42	BOUCHON GOMME D42
21	333625	SCREW T25 A18EST.M6X15 TRI.	TOR.ALOM.T25 A18EST.M6X15 TRI.(ESPECIAL)	VIS T25 A18EST.M6X15 TRI.
22	176834	SELF-LOCKING NUT DIN985-8 B.TRI.M6	TUER.AUTOBL.DIN985-8 B.TRI.M6	ECROU AUTOBLOCANT DIN985-8 B.TRI.M6
23	321430	SOAP DISPENSER GASKET	JUNTA DOSIFICADOR	JOINT BACS A PRODUITS
24	344101	SOAP DOSING INSERTO (REM070) (COIN CTRL MODELS ONLY)	INSERTO DOSIFICADOR (REM070) (PARA MODELOS A COIN CONTROL)	INSERTO BAC A PRODUITS (REM070) (POUR MODELE COIN CONTROL)
25	511584	SOAP DISPENSER SET	CONJUNTO DOSIFICADOR	ENSEMBLE BAC A PRODUITS
26	159681	TORIC GASKET 50X56X3 RE.2676	JUNTA TORICA 50X56X3 RE.2676	JOINT TORIQUE 50X56X3 REF.2676
27	338889	VAPOUR OUTLET HOSE	TUBO DESVAPORIZADOR	TUBE SORTIE CONDENSATS

N°	REF	DENOMINATION	DENOMINACIÓN	DENOMINATION
28	149526	BICR.WASHER B DIN125-ST 6,4	ARAN.B DIN125-ST B.TRI. 6,4	RONDELLE B DIN125-ST BICR.6,4
29	261529	WASHER 25X8,5X4	ARANDELA 25X8.5X4 TRIVALEN.	RONDELLE 25X8,5X4
30	321349	WATER INLET RACCORD	RACOR ENTRADA AGUA DIRECTA	RACCORD ENTREE EAU
31	338897	CLAMP 20,2	ABRAZ. F.I.M. 20202 B20,2	BRIDE 20,2
32	350439	WASHER SWHCFS 4942	ABRAZ.ALAMBRE SWHCFS 4942	RONDELLE SWHCFS 4942
33	333443	WASHER SWHCFS 8780	ABRAZ.ALAMBRE SWHCFS 8780	RONDELLE SWHCFS 8780
34	333450	WASHER D137XD2	ABRAZ.ALAMBRE D137XD2	RONDELLE D137XD2
		WITHOUT ILLUSTRATION	SIN ILUSTRACION	SANS ILLUSTRATION
	796870	SIPHON CLEANING KIT	KIT LIMPIEZA SIFONES	KIT NETTOYAGE SIPHON
	617936	2ON DRAIN 50-60HZ RMS628 KIT	KIT 2ON DESAGÜE 50-60HZ RMS628	KIT 2ON VIDANGE 50-60HZ RMS628



N°	REF	DENOMINATION	DENOMINACIÓN	DENOMINATION
1	326132	CLAMP ABA-036-48-0152-B	ABRAZADERA ABA-036-48-0152-B	BRIDE ABA-036-48-0152-B
2	332809	CIRCUIT BRACKET LCBS-4-7-01	SOPORTE CIRCUITO LCBS-4-7-01	SUPPORT CIRCUIT LCBS-4-7-01
3	322677	CLOCK CIRCUIT	CIRCUITO RELOJ	CIRCUIT HORLOGE
4	565895	COMMUNICATION BOARD COM-C * (WITH COM)	PLACA COMUNICACIONES COM-C * (PARA COM)	PLAQUE COMMUNICATIONS COM-C/609164 (AVEC COM)
5	326082	PLATE CONTINENTAL GIRBAU	PLACA CONTINENTAL GIRBAU	PLAQUE CONTINENTAL GIRBAU
6	605519	CONTROL PANEL (RMS628)	PANEL DE MANDOS (RMS628)	PANNEAU COMMANDES (RMS628)
7	605535	CONTROL PANEL (RMG628)	PANEL DE MANDOS (RMG628)	PANNEAU COMMANDES (RMG628)
8	341529	EMERGENCY STOP LC	PARO EMERGENCIA LC	ARRET EMERGENCE LC
9	326074	PLATE GIRBAU	PLACA GIRBAU	PLAQUE GIRBAU
10	150185	BICR.HEX.NUT DIN934-8 M4	TUER.EX.DIN934-8 B.TRI.M 4	ECROU HEX.DIN934-8 BICR.M4
11	602946	IDENTIFICATION PLUG (RMS628)	CONECTORA IDENTIFICACION (RMS628)	CONNECTEUR IDENTIFICATION (RMS628)
12	602953	IDENTIFICATION PLUG (RMG628)	CONECTORA IDENTIFICACION (RMG628)	CONNECTEUR IDENTIFICATION (RMG628)
13	10699163	LABEL	ETIQUETA	ÉTIQUETTE
14	605709	WASHER-EXTRACTOR PLATE LC EN (REM070) (LOGI CTRL MODELS ONLY)	CARATULA LAVADORA LC EN (REM070) (PARA MODELOS A LOGI CONTROL)	PLAQUE LAVEUSE LC EN (REM070) (POUR MODELE LOGI CONTROL)
15	605808	WASHER-EXTRACTOR PLATE LC JA (FOR JAPAN) (LOGI CTRL MODELS ONLY)	CARATULA LAVADORA LC JA (SOLO JAPON) (PARA MODELOS A LOGI CONTROL)	PLAQUE LAVEUSE LC JA (SEULEMENT JAPON) (POUR MODELE LOGI CONTROL)
16	10034866	LC WASHER KEYBOARD (RMS628) (RMG628) (LOGI CTRL MODELS ONLY)	TECLADO LAVADORA LC (RMS628) (RMG628) (PARA MODELOS A LOGI CONTROL)	CLAVIER LAVEUSE LC (RMS628) (RMG628) (POUR MODELE LOGI CONTROL)
17	605840	WASHER KEYBOARD LP USA BILINGUAL (REM070) (LOGI PRO MODELS ONLY)	TECLADO LAVADORA LP USA BILINGÜE (REM070) (PARA MODELOS A LOGI PRO)	CLAVIER LAVEUSE LP USA BILINGUE (REM070) (POUR MODELE LOGI PRO)
18	10034916	LP WASHER KEYBOARD (RMG628) (LOGI PRO MODELS ONLY)	TECLADO LAVADORA LP (RMG628) (PARA MODELOS A LOGI PRO)	CLAVIER LAVEUSE LP (RMG628) (POUR MODELE LOGI PRO)
19	614305	MICRO BOARD PROTECTION	PROTECCION PLACA MICRO	PROTECTION PLAQUE MICRO
20	587782	MICRO BOARD SPACER	SEPARADOR PLACA MICRO	SEPARATEUR PLAQUE MICRO

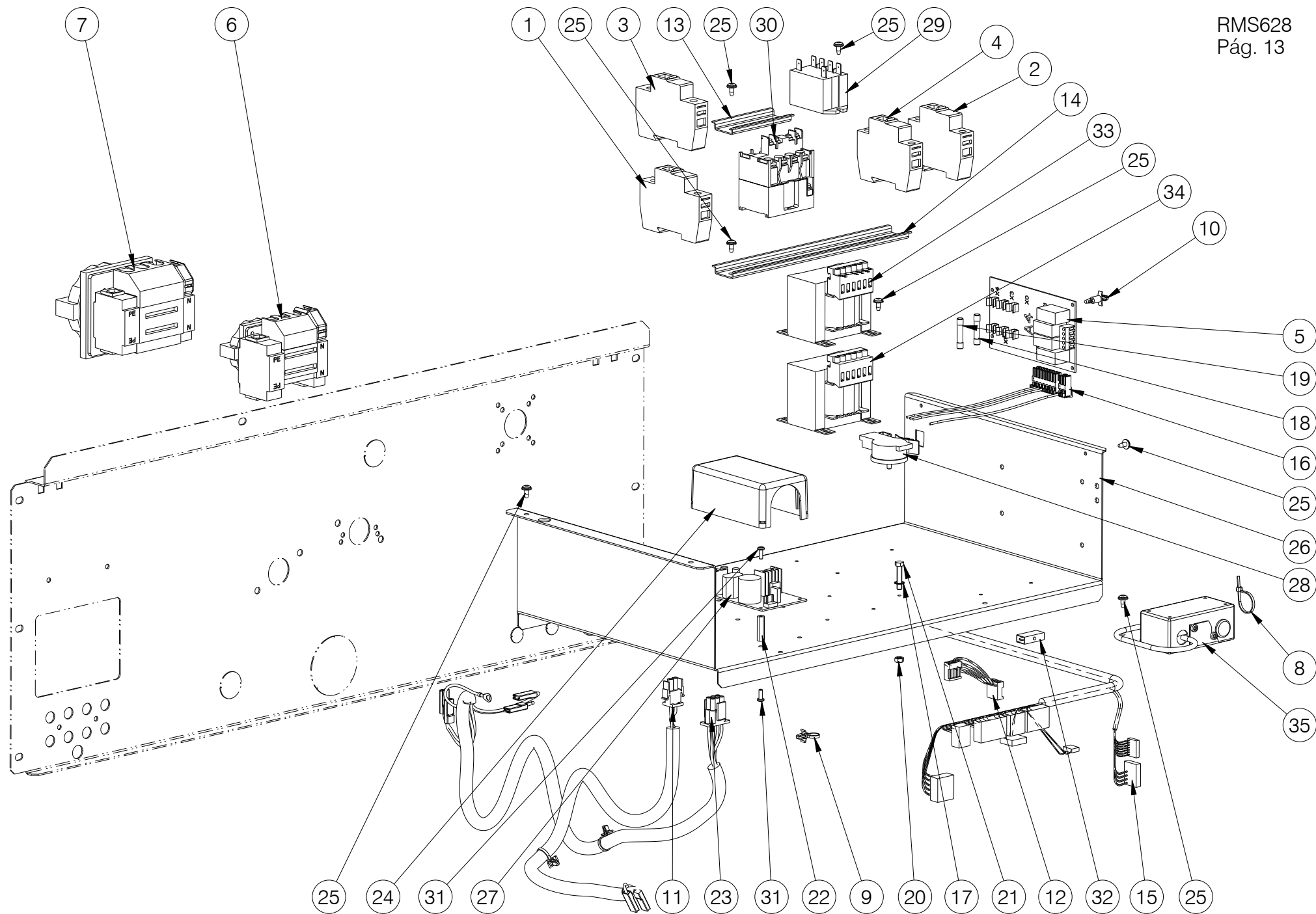
Nº	REF	DENOMINATION	DENOMINACIÓN	DENOMINATION
21	10065415	PLATE POSEIDON	PLACA POSEIDON	PLAQUE POSEIDON
22	521849	PROCESSOR BOAR.HS/MS-6 LP (RMS628) (LOGI PRO MODELS ONLY)	PLACA MICROP.HS/MS-6 LP (RMS628) (PARA MODELOS A LOGI PRO)	PLAQUE MICRO.HS/MS-6 LP (RMS628) (POUR MODELE LOGI PRO)
23	540591	PROCESSOR BOARD.MG-6 LP (RMG628) (LOGI PRO MODELS ONLY)	PLACA MICROP.MG-6 LP (RMG628) (PARA MODELOS A LOGI PRO)	PLAQUE MICRO.MG-6 LP (RMG628) (POUR MODELE LOGI PRO)
24	594481	MICROP. BOARD MS-6 LC/CC (RMS628) (FOR MOD. LOGI/COIN CONTROL)	PLACA MICROP.MS-6 LC/CC (RMS628) (PARA MOD. LOGI/COIN CONTROL)	PLAQUE MICROP. MS-6 LC/CC (RMS628) (POUR MOD. LOGI/COIN CONTROL)
25	10552784	PROTECTIVE COVER (ONLY KOREA)	CUBIERTA PROTECTORA (SOLO COREA)	CUVERCLE DE PROTECTION (SEULEMENT CORÉE)
26	10552768	PROTECTIVE COVER FRAME (ONLY KOREA)	MARCO CUBIERTA PROTECTORA (SOLO COREA)	CADRE DE COUVERTURE (SEULEMENT CORÉE)
27	338020	SAFETY INSTR.LABEL EN	ETIQUETA INSTR. SEGURIDAD EN	ETIQUETTE INSTR.SECURITE EN
28	343046	SAFETY INSTR.LABEL JA	ETIQUETA INSTR. SEGURIDAD JA	ETIQUETTE INSTR.SECURITE JA
29	132043	SELF-LOCKING NUT DIN985-8 B.TRI.M 4	TUER.AUTOBL.DIN985-8 B.TRI.M 4	ECROU AUTOBLOCANT DIN985-8 B.TRI.M 4
30	587816	START-STOP LABEL	ETIQUETA MARCHA-PARO	ETIQUETTE MARCHE-ARRET
31	590356	START-STOP LABEL JA	ETIQUETA MARCHA-PARO JA	ETIQUETTE MARCHE-ARRET JA
32	587519	SWITCH C1550AL	INTERRUPTOR C1550AL	INTERRUPTEUR C1550AL
33	422998	SWITCH PLATE	PLACA INTERRUPTOR	PLAQUE INTERRUPTEUR
34	327023	PLATE VIKING	PLACA VIKING	PLAQUE VIKING
35	149476	BICR.WASHER B DIN125-ST 4,3	ARAN.B DIN125-ST B.TRI. 4,3	RONDELLE B DIN125-ST BICR.4,3
36	192294	YELLOW RING	ARO AMARILLO	BAGUE JAUNE



Nº	REF	DENOMINATION	DENOMINACIÓN	DENOMINATION
1	428656	BLIND PLATE	PLACA CIEGA	PLAQUE AVEUGLE
2	433532	CARD READER PLATE	PLACA LECTOR TARJETA	PLAQUE LECTEUR CARTE
3	605691	COIN CONTROL EXTRA OP. WASHER KEYBOARD (FOR USA AND CANADA ONLY)	TECLADO LAVADORA CC EXTRA OP. (SOLO PARA USA Y CANADA)	CLAVIER LAVEUSE COIN CONTROL EXTRA OP. (SEULEMENT POUR USA ET CANADA)
4	10065498	CC EXTRA OP. WASHER KEYBOARD (EXCEPT FOR USA AND CANADA)	TECLADO LAVADORA CC EXTRA OP. (EXCEPTO PARA USA Y CANADA)	CLAVIER LAVEUSE CC EXTRA OP. (SAUF POUR USA ET CANADA)
5	605659	WASHER-EXTRACTOR PLATE CC JA (FOR JAPAN)	CARATULA LAVADORA CC JA (SOLO JAPON)	PLAQUE LAVEUSE CC JA (SEULEMENT JAPON)
6	10017010	CC WASHER KEYBOARD	TECLADO LAVADORA CC	CLAVIER LAVEUSE CC
7	590570	COIN BOX SUPPORT	APOYO CAJON MONEDAS	APPUI BOITE MONNAIE
8	591586	COIN BOX UG800C	CAJA MONEDAS UG800C *	BOITE MONNAIE UG800C
9	327353	COIN-METER EMP 500 EUROS	MONEDERO EMP 500 EUROS	MANNAYEUR EMP 500 EUROS
10	411223	COIN-METER EMP 500 NOT EUROS	MONEDERO EMP 500 NO EUROS	MONNAYEUR EMP 500 NO EUROS
11	323741	COIN-METER F60.1 0,20/2,00EUR	MONEDERO F60.1 0,20/2,00EUR	MONNAYEUR F60.1 0,20/2,00EUR
12	326892	COIN-METER F60.1 0,25/1,00CAD	MONEDERO F60.1 0,25/1,00CAD	MONNAYEUR F60.1 0,25/1,00CAD
13	323659	COIN-METER F60.1 0,25/1,00USD	MONEDERO F60.1 0,25/1,00USD	MONNAYEUR F60.1 0,25/1,00USD
	530261	COIN-METER F60.1 0,25/1 USD THREAD BLOCK	MONEDERO F60.1 0,25/1 USD THREAD BLOCK	MONNAYEUR F60.1 0,25/1 USD THREAD BLOCK
14	326769	COIN-METER F60.1 0,50/1,00 GBP	MONEDERO F60.1 0,50/1,00GBP *	MONNAYEUR F60.1 0,50/1,00 GBP
15	326835	COIN-METER F60.1 1,00/5,00ILS	MONEDERO F60.1 1,00/5,00ILS *	MONNAYEUR F60.1 1,00/5,00 ILS
16	431007	COINMETER F60.1 100/500 JPY	MONEDERO F60.1 100/500 JPY *	MONNAYEUR F60.1 100/500 JPY
17	354035	COINMETER F60.1 10/50 NTD	MONEDERO F60.1 10/50NTD *	MONNAYEUR F60.1 10/50 NTD
18	524157	COIN-METER F60.11 500 WON	MONEDERO F60.11 500 WON*	MONNAYEUR F60.11 500 WON
19	323642	COIN-METER F60.11 0,25USD	MONEDERO F60.11 0,25USD	MONNAYEUR F60.11 0,25USD
	530253	COIN-METER F60.11 0,25USD THREAD BLOCKIN	MONEDERO F60.11 0,25USD THREAD BLOCKING	MONNAYEUR F60.11 0,25USD THREAD BLOCKING
20	326777	COIN-METER F60.11 100YEN	MONEDERO F60.11 100YEN *	MONNAYEUR F60.11 100YEN
21	344622	COIN-METER F60.11 10NTD	MONEDERO F60.11 10NTD *	MONNAYEUR F60.11 10NTD
22	323733	COIN-METER F60.11W2000-TOKEN G	MONEDERO F60.11 FICHA GIRBAU *	MONNAYEUR F60.11W2000 JETON GI
23	411678	COIN-METER PLUG (WITH PUSH-BUTTON)	CONECTORA MONEDERO (CON PULSADOR)	CONNECTEUR MONNAYEUR (AVEC BOUTON-POUSSOIR)
24	592774	COINMETER LABEL CC-MD NTD	ETIQUETA MONEDERO CC-MD NTD	ETIQUETTE MONNAYEUR CC-MD NTD

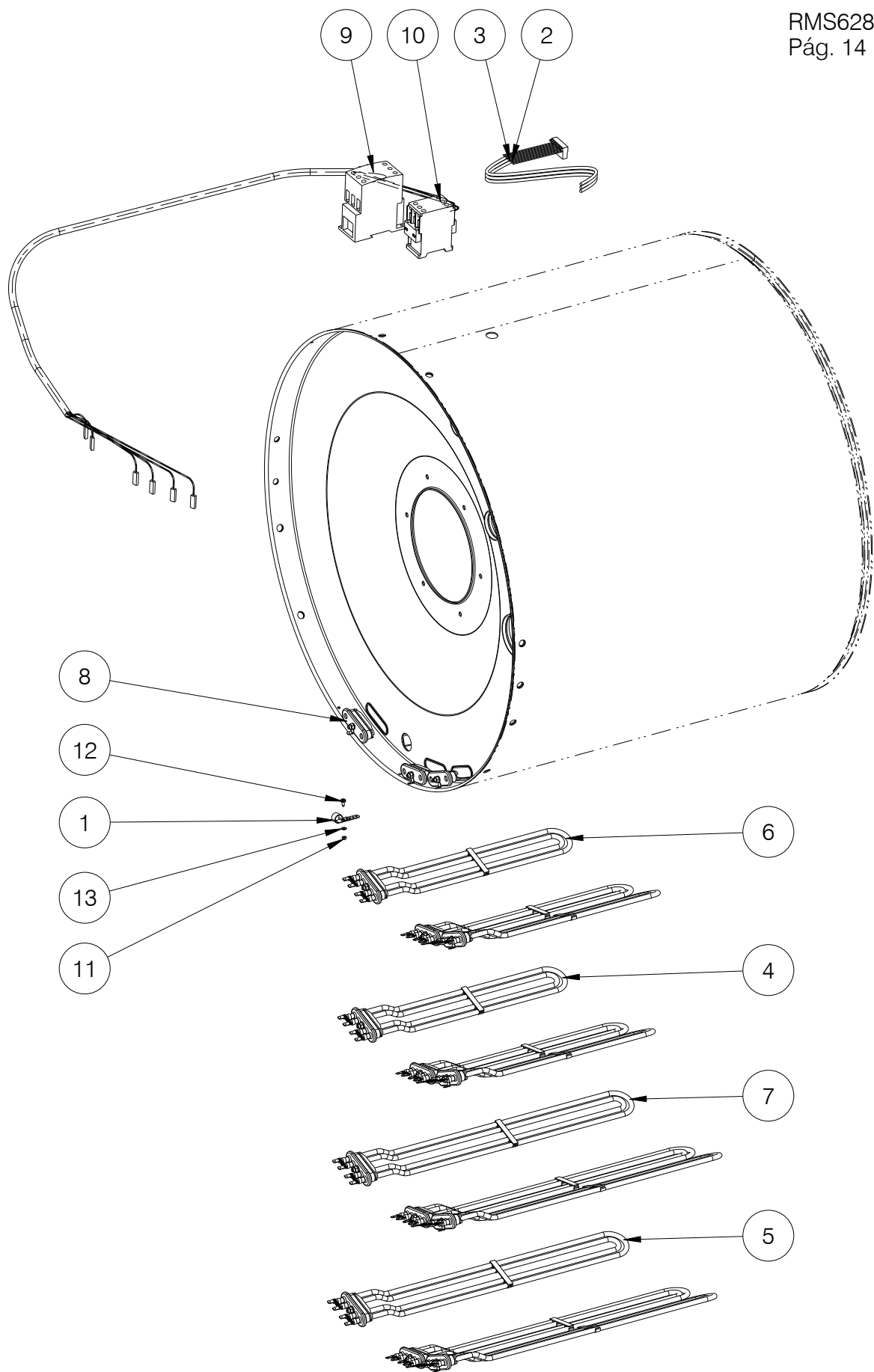
N°	REF	DENOMINATION	DENOMINACIÓN	DENOMINATION
25	592808	COINMETER LABEL CC-MD EUR	ETIQUETA MONEDERO CC-MD EUR	ETIQUETTE MONNAYEUR CC-MD EUR
26	592790	COINMETER LABEL CC-MD GBP	ETIQUETA MONEDERO CC-MD GBP	ETIQUETTE MONNAYEUR CC-MD GBP
27	592782	COINMETER LABEL CC-MD NIS	ETIQUETA MONEDERO CC-MD NIS	ETIQUETTE MONNAYEUR CC-MD NIS
28	592717	COINMETER LABEL CC-MD USD	ETIQUETA MONEDERO CC-MD USD	ETIQUETTE MONNAYEUR CC-MD USD
29	592766	COINMETER LABEL CC-MD YEN	ETIQUETA MONEDERO CC-MD YEN	ETIQUETTE MONNAYEUR CC-MD YEN
30	592758	COINMETER LABEL CC-MS-25C	ETIQUETA MONEDERO CC-MS-25C	ETIQUETTE MONNAYEUR CC-MS-25C
31	592741	COINMETER LABEL CC-MS YEN	ETIQUETA MONEDERO CC-MS YEN	ETIQUETTE MONNAYEUR CC-MS YEN
32	592733	COINMETER LABEL CC-MS-FG	ETIQUETA MONEDERO CC-MS-FG	ETIQUETTE MONNAYEUR CC-MS-FG
33	592725	COINMETER LABEL CC-MU	ETIQUETA MONEDERO CC-MU	ETIQUETTE MONNAYEUR CC-MU
34	322461	COIN-METER 1 PLUG	CONECTORA 1 MONEDERO	CONNECTEUR 1 MONNAYEUR
35	322453	COIN-METER 2 PLUG	CONECTORA 2 MONEDERO	CONNECTEUR 2 MONNAYEURS
36	341990	EMERGENCY STOP PLUG	CONECTORA PARO EMERGENCIA	CONNECTEUR ARRET EMERGENCE
37	10568681	LABEL	ETIQUETA	ÉTIQUETTE
38	594473	MICROP. BOARD MG-6 LC/CC (RMG628) (COIN CTRL MODELS ONLY)	PLACA MICROP.MG-6 CC (RMG628) (PARA MODELOS A COIN CONTROL)	PLAQUE MICROP. MG-6 LC/CC (RMG628) (POUR MODELE COIN CONTROL)
39	594481	MICROP. BOARD MS-6 LC/CC (RMS628) (COIN CTRL MODELS ONLY)	PLACA MICROP.MS-6 LC/CC (RMS628) (PARA MODELOS A COIN CONTROL)	PLAQUE MICROP. MS-6 LC/CC (RMS628) (POUR MODELE COIN CONTROL)
40	10552784	PROTECTIVE COVER (ONLY KOREA)	CUBIERTA PROTECTORA (SOLO COREA)	CUVERCLE DE PROTECTION (SEULEMENT CORÉE)
41	10552768	PROTECTIVE COVER FRAME (ONLY KOREA)	MARCO CUBIERTA PROTECTORA (SOLO COREA)	CADRE DE COUVERTURE (SEULEMENT CORÉE)
42	303693	SAFETY INSTR.LABEL EN	ETIQUETA INSTR. SEGURIDAD EN	ETIQUETTE INSTR.SECURITE EN
43	343053	SAFETY INSTR.LABEL JA	ETIQUETA INSTR. SEGURIDAD JA	ETIQUETTE INSTR.SECURITE JA
44	614677	SAFETY INSTR.LABEL KO	ETIQUETA INSTR. SEGURIDAD KO	ETIQUETTE INSTR.SECURITE KO
45	129692	SELF-LOCKING NUT DIN985-8 B.TRI.M 3	TUER.AUTOBL.DIN985-8 B.TRI.M 3	ECROU AUTOBLOCANT DIN985-8 B.TRI.M 3
46	132043	SELF-LOCKING NUT DIN985-8 B.TRI.M 4	TUER.AUTOBL.DIN985-8 B.TRI.M 4	ECROU AUTOBLOCANT DIN985-8 B.TRI.M 4
47	429878	START-STOP LABEL CP (WITH PUSH-BUTTON)	ETIQUETA MARCHA-PARO CP (CON PULSADOR)	ETIQUETTE MARCHE-ARRET CP (AVEC BOUTON-POUSSOIR)
48	138339	PUSH-BUTTON C6061AL (COIN CTRL MODELS ONLY) (WITH PUSH-BUTTON)	PULSADOR C6061AL * (PARA MODELOS A COIN CONTROL) (CON PULSADOR)	BOUTON-POUSSOIR C6061AL (POUR MODELE COIN CONTROL) (AVEC BOUTON-POUSSOIR)

N°	REF	DENOMINATION	DENOMINACIÓN	DENOMINATION
49	422998	SWITCH PLATE	PLACA INTERRUPTOR	PLAQUE INTERRUPTEUR
50	182469	CONNECTION-BOARD E-ST-1	REGLETA E-ST-1 (1 ELEMENTO)	REGLETTE E-ST-1 (1 ELEMENT)
51	149484	BICR.WASHER B DIN125-ST 3,2	ARAN.B DIN125-ST B.TRI. 3,2	RONDELLE B.DIN125-ST BICR. 3,2
52	149476	BICR.WASHER B DIN125-ST 4,3	ARAN.B DIN125-ST B.TRI. 4,3	RONDELLE B DIN125-ST BICR.4,3
		WITHOUT ILLUSTRATION	SIN ILUSTRACION	SANS ILLUSTRATION
796839		VENDING VN SERIE 6 SET	KIT VENDING VN SERIE 6	KIT VENDING VN SERIE 6
10014173		KIT PROFIT PLUS RMS628 (EXCEPT FOR USA AND CANADA)	KIT PROFIT PLUS RMS628 (EXCEPTO PARA USA Y CANADA)	KIT PROFIT PLUS RMS628 (SAUF POUR USA ET CANADA)
10014181		KIT PROFIT PLUS RMG628 (EXCEPT FOR USA AND CANADA)	KIT PROFIT PLUS RMG628 (EXCEPTO PARA USA Y CANADA)	KIT PROFIT PLUS RMG628 (SAUF POUR USA ET CANADA)



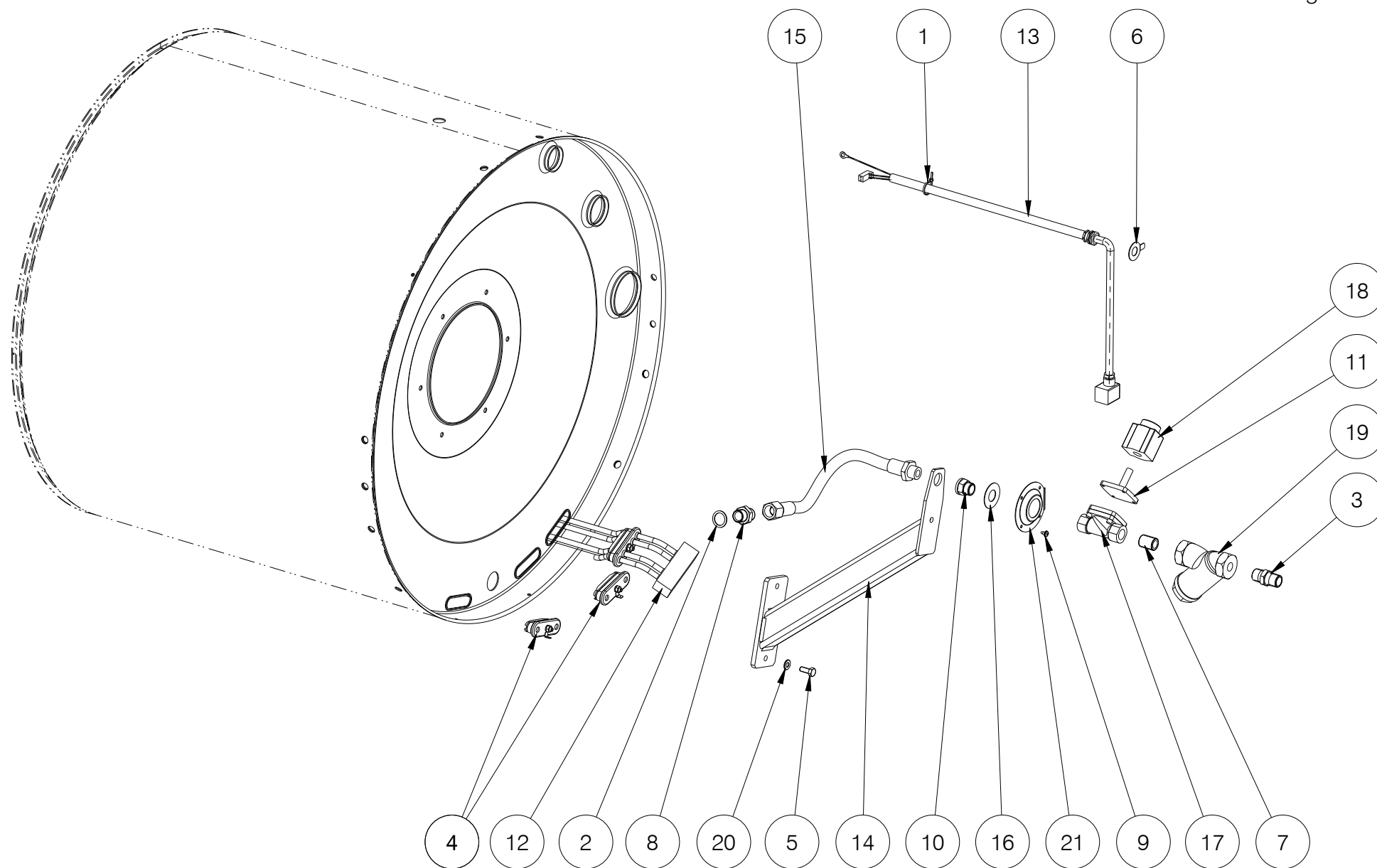
Nº	REF	DENOMINATION	DENOMINACIÓN	DENOMINATION
1	544411	AUTOMATIC SWITCH 0,5A (FOR 3PH) (FOR 380-400-415-440-480V)	INTERRUPTOR AUT. 0,5A CURVA D* (PARA 3PH) (PARA 380-400-415-440-480V)	INTERRUPTEUR AUT.0,5A (POUR 3PH) (POUR 380-400-415-440-480V)
2	544429	AUTOMATIC SWITCH 10A (FOR MACHINES ELECTR.HEATING) (FOR 3PH) (FOR 200V-208V-220V-230V-240V) (FOR (208+240)V)	INTERRUPTOR AUT. 10A CURVA D* (PARA MODELOS CALEFAC.ELECTR.) (PARA 3PH) (PARA 200V-208V-220V-230V-240V) (PARA (208+240)V)	INTERRUPTEUR AUT.10A (POUR MACHINES CHAUF.ELECTR.) (POUR 3PH) (POUR 200V-208V-220V-230V-240V) (POUR (208+240)V)
3	518167	AUTOMATIC SWITCH 1A (FOR (208+240)V) (FOR 200V-208V-220V-230V-240V)	INTERRUPTOR AUT. 1A CURVA D* (PARA (208+240)V) (PARA 200V-208V-220V-230V-240V)	INTERRUPTEUR AUT.1A (POUR (208+240)V) (POUR 200V-208V-220V-230V-240V)
4	518209	AUTOMATIC SWITCH 6A (FOR MACHINES ELECTR.HEATING) (FOR 3PH) (FOR 380V-400V-415V)	INTERRUPTOR AUT.6A CURVA D* (PARA MODELOS CALEFAC.ELECTR.) (PARA 3PH) (PARA 380V-400V-415V)	INTERRUPTEUR AUT.6A (POUR MACHINES CHAUF.ELECTR.) (POUR 3PH) (POUR 380V-400V-415V)
5	332395	AUXILIARY BOARD HS-60**	PLACA AUXILIAR HS-60**	PLAQUE AUXILIAIRE HS-60**
6	344176	SECTION SWITCH 32A (FOR MOD. HOT WATER/STEAM)	INTERRUPTOR SECCIONADOR 32A (PARA MOD.AGUA CALIENTE/VAPOR)	INTERRUPTEUR SECTIONNEUR 32A (POUR MOD.EAU CHAUDE/VAPEUR)
7	344168	SECTION SWITCH 63A (FOR MACHINES ELECTR.HEATING)	INTERRUPTOR SECCIONADOR 63A (PARA MODELOS CALEFAC.ELECTR.)	INTERRUPTEUR SECTIONNEUR 63A (POUR MACHINES CHAUF.ELECTR.)
8	140434	CLAMP 2221	BRIDA UNEX 2221 *	BRIDE 2221
9	326132	CLAMP ABA-036-48-0152-B	ABRAZADERA ABA-036-48-0152-B	BRIDE ABA-036-48-0152-B
10	332809	CIRCUIT BRACKET LCBS-4-7-01	SOPORTE CIRCUITO LCBS-4-7-01	SUPPORT CIRCUIT LCBS-4-7-01
11	602771	INST. ELEC. CONNECTOR-HINGE	INST. ELEC. CONECTORA-BISAGRA	INST. ELEC. CONNECTEUR-CHARNIERE
12	610493	M28 CONNECTOR INSTALLATION	CONECTORA INSTALACION M28	-
13	121640	CONTACTORS FIXING PROFILE (FOR MOD. HOT WATER/STEAM) (FOR 1PH) (FOR 200V-208V-220V-230V-240V) (FOR (208+240)V)	PERFIL FIJACION CONTACTORES (PARA MOD.AGUA CALIENTE/VAPOR) (PARA 1PH) (PARA 200V-208V-220V-230V-240V) (PARA (208+240)V)	PROFILE FIXATION CONTACTEURS (POUR MOD.EAU CHAUDE/VAPEUR) (POUR 1PH) (POUR 200V-208V-220V-230V-240V) (POUR (208+240)V)
14	245571	CONTACTOR FIXING PROFILE (FOR 3PH)	PERFIL FIJACION CONTACTORES (PARA 3PH)	PROFILE FIXATION CONTACTEURS (POUR 3PH)
15	10043479	ELECTRICAL INSTALLATION	INSTALACIÓN ELÉCTRICA	INSTALLATION ÉLECTRIQUE
16	610501	ELECTROVALVE ELEC.INST.	INST. ELEC. ELECTROVALVULAS	INST.ELEC.ELECTROVANNES
17	149724	BICR EXT.TOOT.WASH.DIN6798 M5	ARAN.DEN.EXT.B.TRI.DIN6798M 5	RONDEL DEN.EX.BICR.DIN6798 M5
18	319152	FUSE SPT 0001.2521 0,5A (FOR 3PH) (FOR 380-400-415-440-480V)	CART.FUSIB.SPT 0001.2521 0,5A* (PARA 3PH) (PARA 380-400-415-440-480V)	CARTOUCHE FUSIBLE SPT (POUR 3PH) (POUR 380-400-415-440-480V)

N°	REF	DENOMINATION	DENOMINACIÓN	DENOMINATION
19	321125	FUSE SPT 1 A (FOR 200V-208V-220V-230V-240V)	CART.FUSIB.SPT 0001.2524 1 A* (PARA 200V-208V-220V-230V-240V)	CARTOUCHE FUS. SPT 1 A (POUR 200V-208V-220V-230V-240V)
20	150177	BICR HEX NUT DIN934-8 M5	TUER.EX.DIN934-8 B.TRI.M 5	ECROU HEX DIN934-8 BIC.M5
21	146225	BI.HEX SCREW DIN933-8.8 M-5X25	TOR.EX.DIN933-8.8 B.TRI.M 5X25	VIS HEX BICR.DIN933-8.8 M-5X25
22	322685	SEPARATOR HEX.HS6-8	SEPARADOR EXAGONAL HS6-8	SEPARATEUR HEX. HS6-8
23	602789	INST. ELEC. LOCK-CONNECTOR	INST. ELEC. CONECTORA-CIERRE	INST. ELEC. FERMER-CONNECTEUR
24	326843	MICROPROCESSOR PLATE COVER	TAPA PLACA MICROPROCESADOR	COUVERCLE PLAQUE MICROPROSSEUR
25	183400	PLATE SCREW ST-4, 20 P.F. C/AL.T25	TORNILLO CHAPA ST-4 (ESPECIAL)*	VIS PLAQUE ST-4, 20 P.F. C/AL.T25
26	608547	POWER INPUT BOX	CAJA ENTRADA CORRIENTE	BOITE CONNEXION ALIM.
27	332718	POWER SOURCE MW PS-25-12	FUENTE ALIMENT.MW PS-25-12	FONT ALIMENT.MW PS-25-12
28	322784	PRESSURE TRANSMITTER 400.95100	TRANSM.PRESION HUBA 400.95100	PRESSOSTAT HUBA 400.95100
29	322701	RELAY 12VDC (FOR MOD. HOT WATER/STEAM) (FOR 1PH) (FOR 200V-208V-220V-230V-240V) (FOR (208+240)V)	RELE 12VDC* (PARA MOD.AGUA CALIENTE/VAPOR) (PARA 1PH) (PARA 200V-208V-220V-230V-240V) (PARA (208+240)V)	RELAIS 12VDC (POUR MOD.EAU CHAUDE/VAPEUR) (POUR 1PH) (POUR 200V-208V-220V-230V-240V) (POUR (208+240)V)
30	357921	RELAY OMRON G7Z-3A1B-20Z 12VDC (FOR 3PH)	RELE OMRON G7Z-3A1B-20Z 12VDC (PARA 3PH)	RELAIS OMRON G7Z-3A1B-20Z 12VDC (POUR 3PH)
31	322693	SCREW PT KN35X10 WN1412	TORNILLO PT KN35X10 WN1412 (ESPECIAL)	VIS PT KN35X10 WN1412
32	182469	CONNECTION-BOARD E-ST-1 (COIN CTRL MODELS ONLY)	REGLETA E-ST-1 (1 ELEMENTO) (PARA MODELOS A COIN CONTROL)	REGLETTE E-ST-1 (1 ELEMENT) (POUR MODELE COIN CONTROL)
33	320218	TRANSFORMER IP 100 VA (FOR 3PH) (FOR 380-400-415-440-480V)	TRANSFORMADOR IP00 100VA CSA * (PARA 3PH) (PARA 380-400-415-440-480V)	TRANSFORMATEUR IP00 100 VA (POUR 3PH) (POUR 380-400-415-440-480V)
34	320614	TRANSFORMER IP00 100 VA (FOR 200V-208V-220V-230V-240V)	TRANSFORMADOR IP00 100 VA * (PARA 200V-208V-220V-230V-240V)	TRANSFORMATEUR IP00 100 VA (POUR 200V-208V-220V-230V-240V)
35	439232	VENDING VN ASSEMBLY (RMS628) (COIN CTRL MODELS ONLY) (VENDING ONLY)	CAJA VENDING VN (RMS628) (PARA MODELOS A COIN CONTROL) (SOLO VENDING)	ENSEMBLE VENDING VN (RMS628) (POUR MODELE COIN CONTROL) (SEULEMENT VENDING)

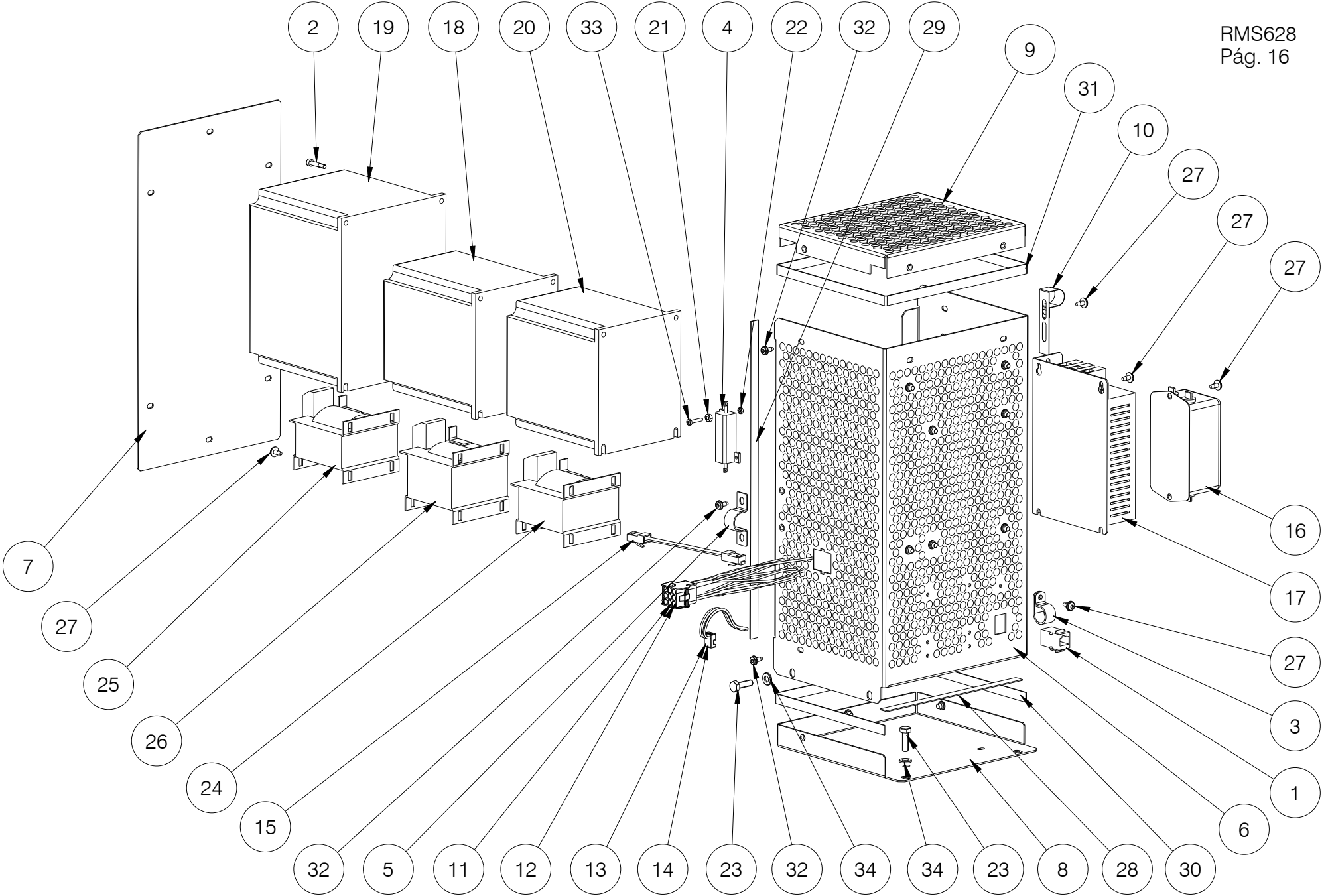


N°	REF	DENOMINATION	DENOMINACIÓN	DENOMINATION
1	140418	CLAMP UNEX REF 1201	BRIDA UNEX 1201	BRIDE UNEX REF 1201
2	612630	CONTACTOR SUPPLY WIRES (FOR MACHINES ELECTR.HEATING) (FOR 380V-400V-415V)	CABLES ALIMENTACION CONTACTOR (PARA MODELOS CALEFAC.ELECTR.) (PARA 380V-400V-415V)	CABLES ALIMENTATION CONTACTEUR (POUR MACHINES CHAUF.ELECTR.) (POUR 380V-400V-415V)
3	612622	CONTACTOR WIRES FEEDING (FOR MACHINES ELECTR.HEATING) (FOR 200V-208V-220V-230V-240V) (FOR (208+240)V)	CABLES ALIMENTACION CONTACTOR (PARA MODELOS CALEFAC.ELECTR.) (PARA 200V-208V-220V-230V-240V) (PARA (208+240)V)	FILS ALIMENTATION CONTACTEUR (POUR MACHINES CHAUF.ELECTR.) (POUR 200V-208V-220V-230V-240V) (POUR (208+240)V)
4	340851	HEATER 230V 4000W (FOR 200V-208V-220V-230V-380V-400V)	CALEFACTOR 230V 4000W (PARA 200V-208V-220V-230V-380V-400V)	RESISTANCE 230V 4000W (POUR 200V-208V-220V-230V-380V-400V)
5	340497	HEATER 230V 6500W (FOR 200V-208V-220V-230V-380V-400V)	CALEFACTOR 230V 6500W (PARA 200V-208V-220V-230V-380V-400V)	RESISTANCE 230V 6500W (POUR 200V-208V-220V-230V-380V-400V)
6	340869	HEATER 240V 4000W (FOR 240 AND 415V) (REMO70) (FOR (208+240)V)	CALEFACTOR 240V 4000W (PARA 240 Y 415V) (REMO70) (PARA (208+240)V)	RESISTANCE 240V 4000W (POUR 240 ET 415V) (REMO70) (POUR (208+240)V)
7	340489	HEATER 240V 6500W (FOR 240 AND 415V) (REMO70) (FOR (208+240)V)	CALEFACTOR 240V 6500W (PARA 240 Y 415V) (REMO70) (PARA (208+240)V)	RESISTANCE 240V 6500W (POUR 240 ET 415V) (REMO70) (POUR (208+240)V)
8	121962	HEATER INLET LID	CIERRE ENTRADA CALEFACTOR *	FERMETURE ENTREE RESISTANCE
9	612564	HEATING CONTACTOR WIRES (FOR MACHINES ELECTR.HEATING) (FOR 200V-208V-220V-230V-240V) (FOR (208+240)V)	CABLES CONTACTOR CALEFACCION (PARA MODELOS CALEFAC.ELECTR.) (PARA 200V-208V-220V-230V-240V) (PARA (208+240)V)	CABLES CONTACTEUR CHAUFFAGE (POUR MACHINES CHAUF.ELECTR.) (POUR 200V-208V-220V-230V-240V) (POUR (208+240)V)
10	612572	HEATING CONTACTOR WIRES (FOR MACHINES ELECTR.HEATING) (FOR 380V-400V-415V)	CABLES CONTACTOR CALEFACCION (PARA MODELOS CALEFAC.ELECTR.) (PARA 380V-400V-415V)	CABLES CONTACTEUR CHAUFFAGE (POUR MACHINES CHAUF.ELECTR.) (POUR 380V-400V-415V)
11	150185	BICR.HEX.NUT DIN934-8 M4	TUER.EX.DIN934-8 B.TRI.M 4	ECROU HEX.DIN934-8 BICR.M4
12	328229	SCREW ALO.T25 AR.18ESTR.M 4X10	TORNILLO ALOM.T25 M 4X10 (ESPECIAL)*	VIS ALOM.T25 AR.18ESTR.M 4X10
13	149476	BICR.WASHER B DIN125-ST 4,3	ARAN.B DIN125-ST B.TRI. 4,3	RONDELLE B DIN125-ST BICR.4,3
		WITHOUT ILLUSTRATION ELECTRIC HEATING KITS	SIN ILUSTRACION KITS CALEFACCION ELECTRICA	SANS ILLUSTRATION KITS CHAUFFAGE ELECTRIQUE
	617944	EL.HT.KIT 3PH 200-230V (FOR 200,208,220 AND 230V)	KIT CAL.E.3PH 200-230V (PARA 200,208,220 Y 230V)	KIT CH.EL. 3PH 200-230V (POUR 200,208,220 ET 230V)
	617951	EL.HT. KIT 3PH 380-400V (FOR 380V-400V)	KIT CAL.E.3PH 380-400V (PARA 380V-400V)	KIT CH.EL. 3PH 380-400V (POUR 380V-400V)

N°	REF	DENOMINATION	DENOMINACIÓN	DENOMINATION
617969		EL.HT.KIT 3PH 240-(208+240)V USA (RMS628) (FOR 240V) (REM070) (FOR (208+240)V)	KIT CAL.E.3PH 240-(208+240)V USA (RMS628) (PARA 240V) (REM070) (PARA (208+240)V)	KIT CH.EL.3PH 240-(208+240)V USA (RMS628) (POUR 240V) (REM070) (POUR (208+240)V)
617977		EL.HT.KIT 3PH 415V (FOR 415V)	KIT CAL.E.3PH 415V (PARA 415V)	KIT CH.EL. 3PH 415V (POUR 415V)

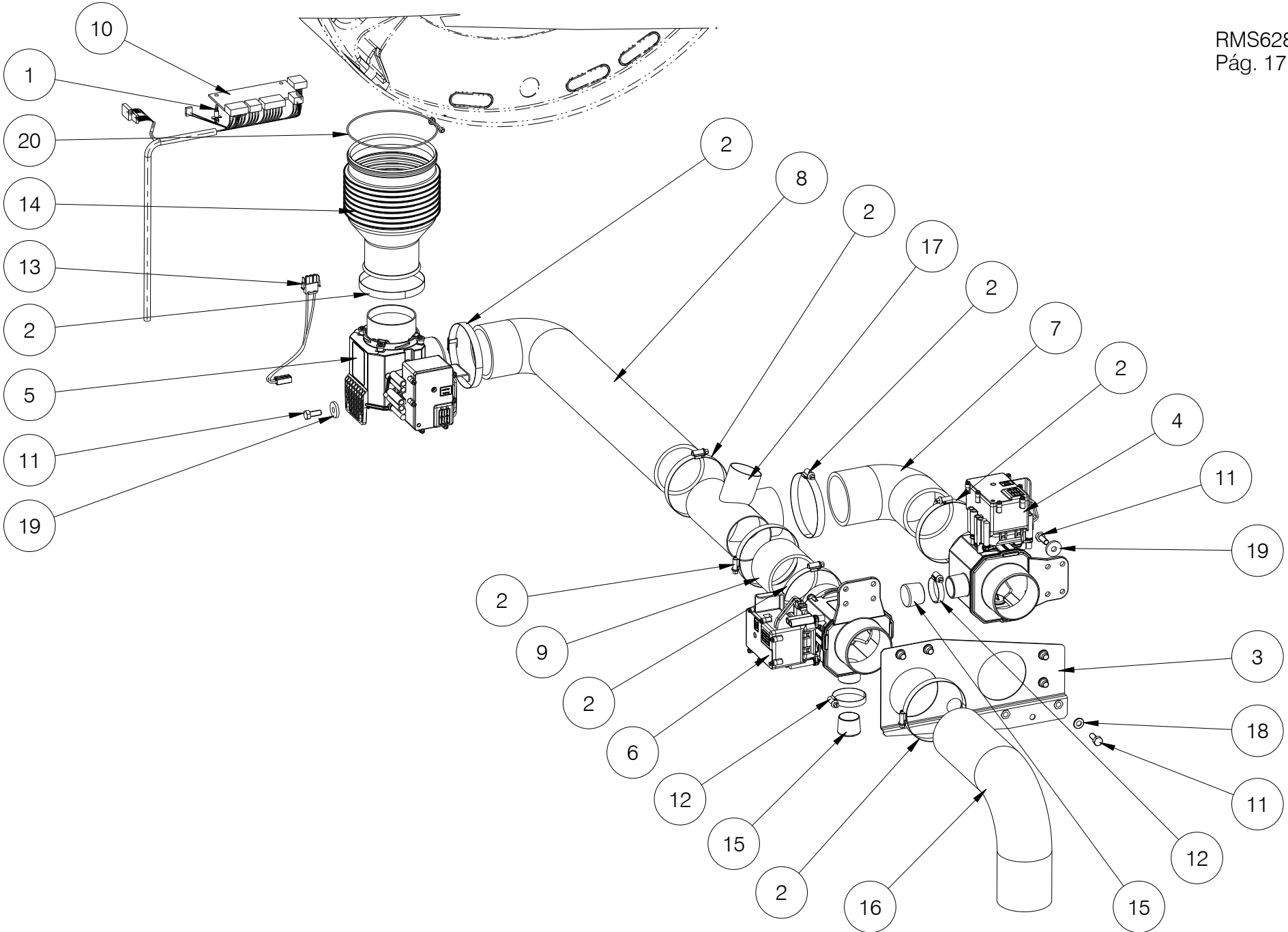


N°	REF	DENOMINATION	DENOMINACIÓN	DENOMINATION
1	140434	CLAMP 2221	BRIDA UNEX 2221 *	BRIDE 2221
2	109777	COPPER GASKET 1/2"	12504 JUNTA COBRE 1/2"	JOINT CUIVRE 1/2"
3	251355	STEAM INLET SLEEVE (REM070)	MANGUITO ENTRADA VAPOR (REM070)	MANCHON ENTREE VAPEUR (REM070)
4	121962	HEATER INLET LID (FOR MOD. HOT WATER/STEAM)	CIERRE ENTRADA CALEFACTOR * (PARA MOD.AGUA CALIENTE/VAPOR)	FERMETURE ENTREE RESISTANCE (POUR MOD.EAU CHAUDE/VAPEUR)
5	146399	BICR HEX SCREW DIN933-8 M8X20	TOR.EX.DIN933-8.8 B.TRI.M 8X20	VIS HEX DIN933-8.8 BICR.M8X20
6	612291	STEAM INLET PROTECTION (ONLY KOREA)	PROTECCION ENTRADA VAPOR (SOLO COREA)	PROTECTION ENTREE VAPEUR (SEULEMENT CORÉE)
7	129999	FIG. 531 1/2" GALV	FIGURA 531 DE 1/2" GALV.	FIG. 531 1/2" GALV
8	156216	JOINTING SCREW 10903 1/2"	10903 TORNILLO UNION MM1/2"	VIS UNION 10903 1/2"
9	183400	PLATE SCREW ST-4, 20 P.F. C/AL.T25 (ONLY KOREA)	TORNILLO CHAPA ST-4 (ESPECIAL)* (SOLO COREA)	VIS PLAQUE ST-4, 20 P.F. C/AL.T25 (SEULEMENT CORÉE)
10	183525	MALE-FEMALE SLEEVE 1/2"	MANGUITO MACHO-HEMBRA1/2"LATON	FRETTE MALE-FEMELLE 1/2"
11	583393	SPARE KIT DANFOSS EV245B	KIT REPUES.DANFOSS EV245B *	KIT RECHANGE DANFOSS EV245B
12	108431	STEAM DISTRIBUTOR	DISTRIBUIDOR VAPOR	DISTRIBUTEUR VAPEUR
13	612556	STEAM ELEC.INST.	INST. ELEC. VAPOR	INST.ELEC.VAPEUR
14	589267	STEAM INLET BRACKET	SOPORTE ENTRADA VAPOR	SUPPORT ENTREE VAPEUR
15	10014199	STEAM INLET JOINTING	UNION ENTRADA VAPOR	UNION ENTREE VAPEUR
16	608364	STEAM PROTECTION PLATE (ONLY KOREA)	CHAPA PROTECCION VAPOR (SOLO COREA)	PLAQUE PROTECTION VAPEUR (SEULEMENT CORÉE)
17	583369	STEAM VALVE BODY 1/2"	CUERPO VALV. VAPOR 1/2" *	CORPS VANNE VAPEUR 1/2"
18	583385	STEAM VALVE COIL 208-240V 50/60Hz	BOBINA V.VAPOR 208-240V 50/60Hz *	BOBINE V. VAPEUR 208-240V 50/60Hz
19	133728	STRAINER THREADED 1/2" O'3 PN16	FILTRO GG25 ROSC.1/2" PN16 0'3MM INOX	FILTRE FILETE 1/2" 0,3 PN16
20	149518	BICR.WASHER B DIN125-ST 8,4	ARAN.B DIN125-ST B.TRI. 8,4	RONDELLE.B DIN125-ST BICR.8,4
21	608265	STEAM INLET PROTECTION (ONLY KOREA)	PROTECCION ENTRADA VAPOR (SOLO COREA)	PROTECTION ENTREE VAPEUR (SEULEMENT CORÉE)
		WITHOUT ILLUSTRATION	SIN ILUSTRACION	SANS ILLUSTRATION
		STEAM HEATING KITS	KITS CALEFACCION VAPOR	KITS CHAUFFAGE VAPEUR
	617845	STEAM KIT RMS628 50-60 HZ	KIT CAL.VAPOR RMS628 50-60 HZ	KIT CHAUF. VAP. RMS628 50-60 HZ



N°	REF	DENOMINATION	DENOMINACIÓN	DENOMINATION
1	10013274	ADAPTER PANEL H-H RJ45	ADAPTADOR RJ45 H-H PANEL*	ADAPTATEUR PANNEAU H-H RJ45
2	635334	ALLEN SCREW DIN 912 M 4X 15	TOR.ALLDIN912-8.8 B.TRI.M 4X20	VIS ALLEN DIN 912 M 4X 15
3	323055	ALUMINIUM CLAMP AL2	ABRAZADERA ALUMINIO AL2	BRIDE ALUMINIUM AL2
4	618249	BRAKE RESISTANCE 5W 220HM	RESISTENCIA FRENO 50W 220OHM	RESISTANCE FREIN 5W 220HM
5	634584	TWO FEET CLIP GMD-60	GRAPA PUENTE 18 MM	CLIP DEUX PIEDS GMD-60
6	10004133	CEM BOX	CAJA CEM	BOX CEM
7	10004505	CEM BOX COVER	TAPA CAJA CEM	
8	10004224	CEM BOX LOWER COVER	TAPA INFERIOR CAJA CEM	-
9	10004091	CEM BOX UPPER COVER	TAPA SUPERIOR CAJA CEM	-
10	521443	CEM S-6 CLAMP	ABRAZADERA CEM S-6	BRIDE CEM S-6
11	10450195	INVERTER-FILTER ELECTRICAL INSTALLATION (FOR 200V-208V-220V-230V-240V) (FOR (208+240)V)	INSTALACIÓN ELÉCTRICA FILTRO-CONVERTIDOR (PARA 200V-208V-220V-230V-240V) (PARA (208+240)V)	INSTALLATION ÉLECTRIQUE FILTRE- CONVERTI (POUR 200V-208V-220V-230V-240V) (POUR (208+240)V)
12	10592020	INVERTER-MOTOR ELECTRICAL INSTALLATION (FOR 380-400-415-440-480V) (FOR (440+480)V)	INSTALACIÓN ELÉCTRICA MOTOR-CONVERTIDOR (PARA 380-400-415-440-480V) (PARA (440+480)V)	INSTALLATION ÉLECTRIQUE MOTEUR- CONVERTI (POUR 380-400-415-440-480V) (POUR (440+480)V)
13	10450260	RELAY FILTER ELECTRICAL INSTALLATION (FOR 3PH)	INSTALACIÓN ELÉCTRICA RELE-FILTRO (PARA 3PH)	INSTALLATION ÉLECTRIQUE FILTRE RELAIS (POUR 3PH)
14	10591899	RELAY-FILTER ELECTRICAL INSTALLATION (FOR 1PH)	INSTALACIÓN ELÉCTRICA RELÉ-FILTRO (PARA 1PH)	INSTALLATION ELECTRIQUE RELAIS-FILTRE (POUR 1PH)
15	10023505	RJ45 ELCTRICAL INSTALLATION	INSTALACIÓN ELÉCTRICA RJ45	INSTALLATION ÉLECTRIQUE RJ45
16	569442	FILTER TYPE FS2090-16-06 (FOR 1PH)	FILTRO TIPO FN2090-16-06 (PARA 1PH)	FILTRE TYPE FS2090-16-06 (POUR 1PH)
17	359869	FILTER TYPE FS20229-9-07 (FOR 3PH)	FILTRO TIPO FS20229-9-07 (PARA 3PH)	FILTRE TYPE FS20229-9-07 (POUR 3PH)
18	612283	CONVERTER FRN0007C2S-4E (FOR 3PH) (FOR 380-400-415-440-480V) (FOR (440+480)V)	CONVERTIDOR FRN0007C2S-4E * (PARA 3PH) (PARA 380-400-415-440-480V) (PARA (440+480)V)	CONVERTISSEUR FRN0007C2S-4E (POUR 3PH) (POUR 380-400-415-440-480V) (POUR (440+480)V)
19	10587665	FREQUENCY INVERTER FRN0012C2S-7E (FOR 1PH) (FOR 200V-208V-220V-230V-240V) (FOR (208+240)V)	VARIADOR FRECUENCIA FRN0012C2S-7E (PARA 1PH) (PARA 200V-208V-220V-230V-240V) (PARA (208+240)V)	VARIATEUR FREQUENCY FRN0012C2S-7E (POUR 1PH) (POUR 200V-208V-220V-230V-240V) (POUR (208+240)V)
20	612275	CONVERTER FRN2.2C2S-2J (FOR 3PH) (FOR 200V-208V-220V-230V-240V) (FOR (208+240)V)	CONVERTIDOR FRN2.2C2S-2J * (PARA 3PH) (PARA 200V-208V-220V-230V-240V) (PARA (208+240)V)	CONVERTISSEUR FRN2.2C2S-2J (POUR 3PH) (POUR 200V-208V-220V-230V-240V) (POUR (208+240)V)

N°	REF	DENOMINATION	DENOMINACIÓN	DENOMINATION
21	150185	BICR.HEX.NUT DIN934-8 M4	TUER.EX.DIN934-8 B.TRI.M 4	ECROU HEX.DIN934-8 BICR.M4
22	149906	INOX. HEX. NUT DIN 934 M-3	TUER.EX.DIN934 INOX A2-70 M 3	ECROU HEX. INOX DIN934 M-3
23	146316	BICR.HEX SCREW DIN933-8 M-6X20	TOR.EX.DIN933-8.8 B.TRI.M 6X20	VIX HEX BICR.DIN933-8.8 M-6X20
24	593848	INDUCTANCE CSA 5A 4,5MH 50HZ (FOR 200V-208V-220V-230V-240V) (FOR (208÷240)V)	INDUCTANCIA CSA 5A 4,5MH * (PARA 200V-208V-220V-230V-240V) (PARA (208÷240)V)	INDUCTANCE CSA 5A 4,5MH 50HZ (POUR 200V-208V-220V-230V-240V) (POUR (208÷240)V)
25	593855	INDUCTANCE CSA 5A 7,5MH 50HZ (FOR 380-400-415-440-480V) (FOR (440÷480)V) (FOR 50 HZ)	INDUCTANCIA CSA 5A 7,5MH * (PARA 380-400-415-440-480V) (PARA (440÷480)V) (PARA 50 HZ)	INDUCTANCE CSA 5A 7,5MH 50HZ (POUR 380-400-415-440-480V) (POUR (440÷480)V) (POUR 50 HZ)
26	593863	INDUCTANCE CSA 5A 9MH 50HZ (FOR 380-400-415-440-480V) (FOR (440÷480)V) (FOR 60 HZ)	INDUCTANCIA CSA 5A 9MH * (PARA 380-400-415-440-480V) (PARA (440÷480)V) (PARA 60 HZ)	INDUCTANCE CSA 5A 9MH 50HZ (POUR 380-400-415-440-480V) (POUR (440÷480)V) (POUR 60 HZ)
27	183400	PLATE SCREW ST-4, 20 P.F. C/AL.T25	TORNILLO CHAPA ST-4 (ESPECIAL)*	VIS PLAQUE ST-4, 20 P.F. C/AL.T25
28	321273	PROFILE E0813T00000 UL94HB (FOR 3PH)	PERFIL E0813R00000 UL94HB (PARA 3PH)	PROFILE E0813T00000 UL94HB (POUR 3PH)
29	321273	PROFILE E0813T00000 UL94HB (FOR 3PH)	PERFIL E0813R00000 UL94HB (PARA 3PH)	PROFILE E0813T00000 UL94HB (POUR 3PH)
30	321273	PROFILE E0813T00000 UL94HB (FOR 3PH)	PERFIL E0813R00000 UL94HB (PARA 3PH)	PROFILE E0813T00000 UL94HB (POUR 3PH)
31	321273	PROFILE E0813T00000 UL94HB (FOR 3PH)	PERFIL E0813R00000 UL94HB (PARA 3PH)	PROFILE E0813T00000 UL94HB (POUR 3PH)
32	328229	SCREW ALO.T25 AR.18ESTR.M 4X10	TORNILLO ALOM.T25 M 4X10 (ESPECIAL)*	VIS ALOM.T25 AR.18ESTR.M 4X10
33	332627	SCREW REF. TT85 T M3 X16	TOR. REF. TT85 T M3 X16	VIS REF.TT85 T M3 X16
34	149526	BICR.WASHER B DIN125-ST 6,4	ARAN.B DIN125-ST B.TRI. 6,4	RONDELLE B DIN125-ST BICR.6,4



Nº	REF	DENOMINATION	DENOMINACIÓN	DENOMINATION
1	332809	CIRCUIT BRACKET LCBS-4-7-01	SOPORTE CIRCUITO LCBS-4-7-01	SUPPORT CIRCUIT LCBS-4-7-01
2	132340	CLAMP REF.30173380-2 D80-100	ABRAZADERA REF.30173380-2 D80-100	BRIDE REF.30173380-2 D80-100
3	10009520	DOUBLE DRAIN BRACKET	SOPORTE DOBLE DESAGÜE	SUPPORT DOUBLE VIDANGE
4	600577	DRAIN G3-C-180	DESAGÜE G3-C-180	VIDANGE G3-C-180
5	600544	DRAIN G3-O-90	DESAGÜE G3-O-90	VIDANGE G3-O-90
6	600551	DRAIN G3-O-180	DESAGÜE G3-O-180	VIDANGE G3-O-180
7	588525	DRAIN HOSE	TUBO DESAGUE	TUBE VIDANGE
8	588533	DRAIN HOSE	TUBO DESAGUE	TUBE VIDANGE
9	588558	DRAIN HOSE	TUBO DESAGUE	TUBE VIDANGE
10	614024	BOARD A7 ELECTRICAL INSTALLATION	INSTALACIÓN ELÉCTRICA PLACA A7	INSTALLATION ELÉCTRIQUE PLAQUE A7
11	146399	BICR HEX SCREW DIN933-8 M8X20	TOR.EX.DIN933-8.8 B.TRI.M 8X20	VIS HEX DIN933-8.8 BICR.M8X20
12	132282	CLAMP 32-50	ABRAZADERA 32- 50	BRIDE 32-50
13	602763	INST. ELEC. CONNECTOR-DRAIN	INST. ELEC. CONECTORA-DESAGÜE	INST. ELEC. CONNECTEUR-VIDANGE
14	333500	OUTERDRUM DRAIN BELLOWS	FUELLE DESAGÜE ENVOLVENTE	DURITE VIDANGE CUVE
15	135004	CONICAL END-PIECE REPRIMSA R16	TOPE CONICO REPRIMSA R-16 D30	ARRET CONIQUE REPRIMSA R16 D30
16	163253	DRAIN OUTLET HOSE	TUBO SALIDA DESAGÜE	TUBE SORTIE VIDANGE
17	10276392	T DRAIN	T DESAGÜE	T VIDANGE
18	149518	BICR.WASHER B DIN125-ST 8,4	ARAN.B DIN125-ST B.TRI. 8,4	RONDELLE.B DIN125-ST BICR.8,4
19	261529	WASHER 25X8,5X4	ARANDELA 25X8.5X4 TRIVALEN.	RONDELLE 25X8,5X4
20	333450	WASHER D137XD2	ABRAZ.ALAMBRE D137XD2	RONDELLE D137XD2