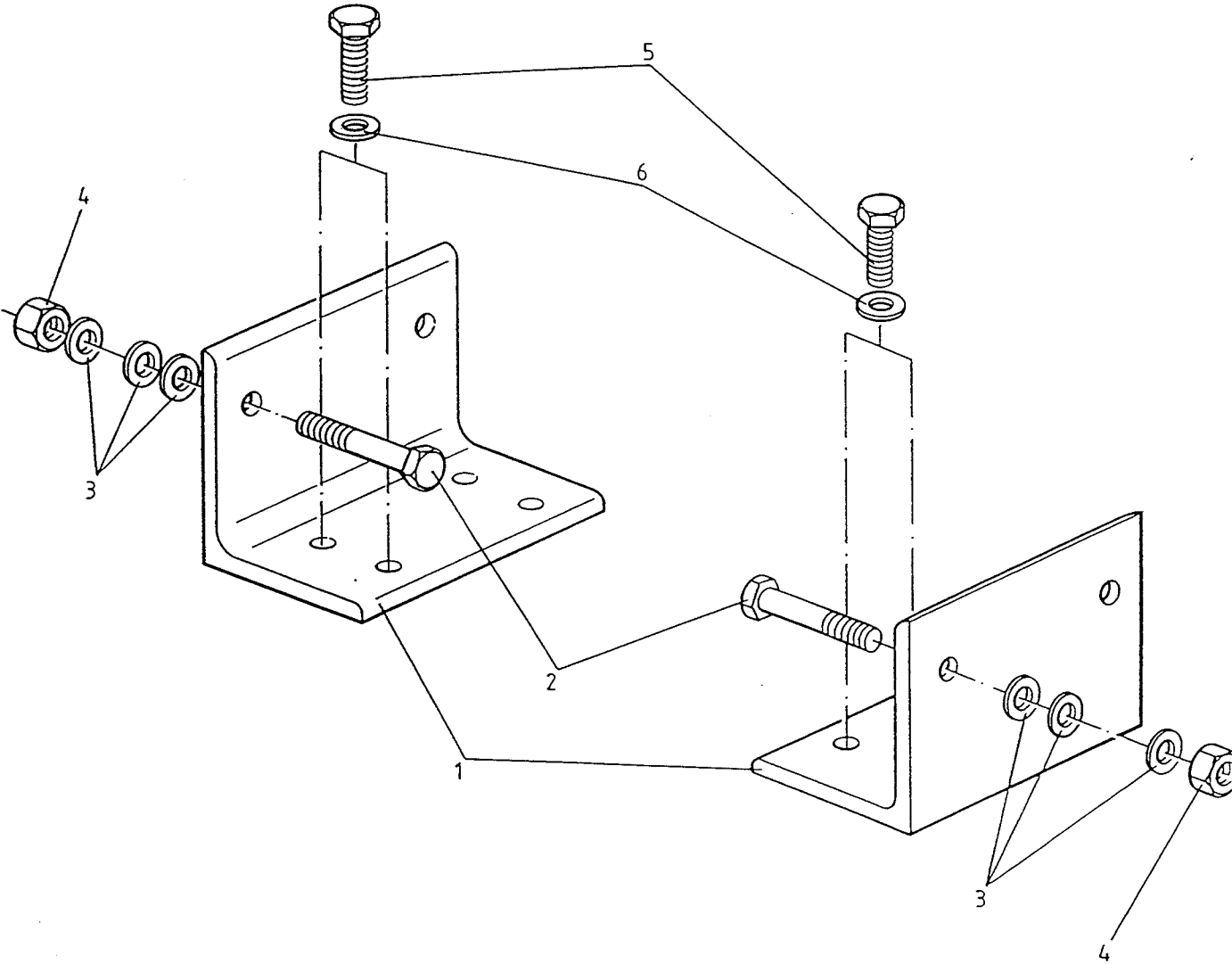
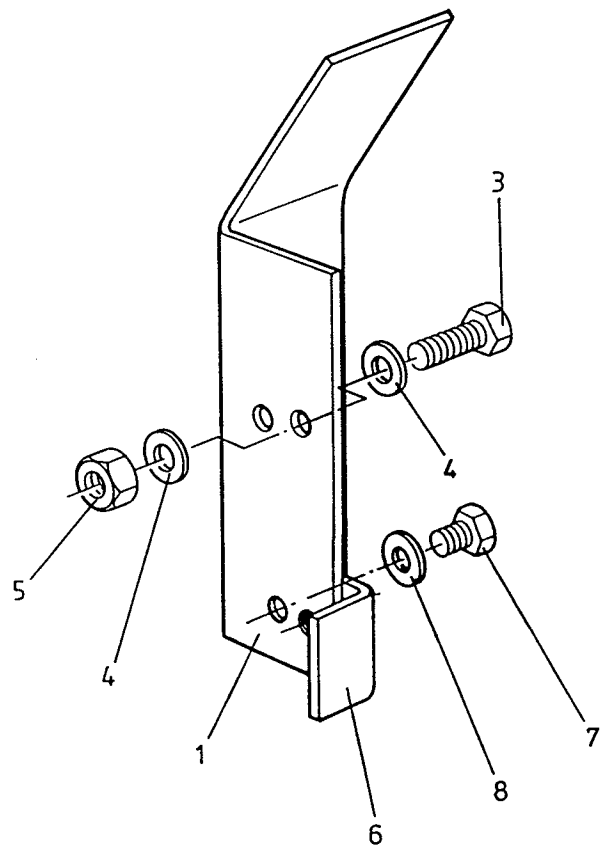
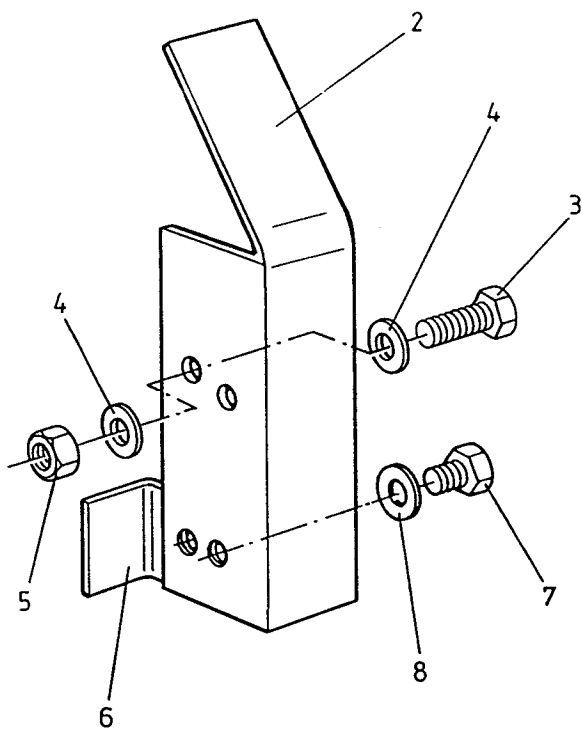


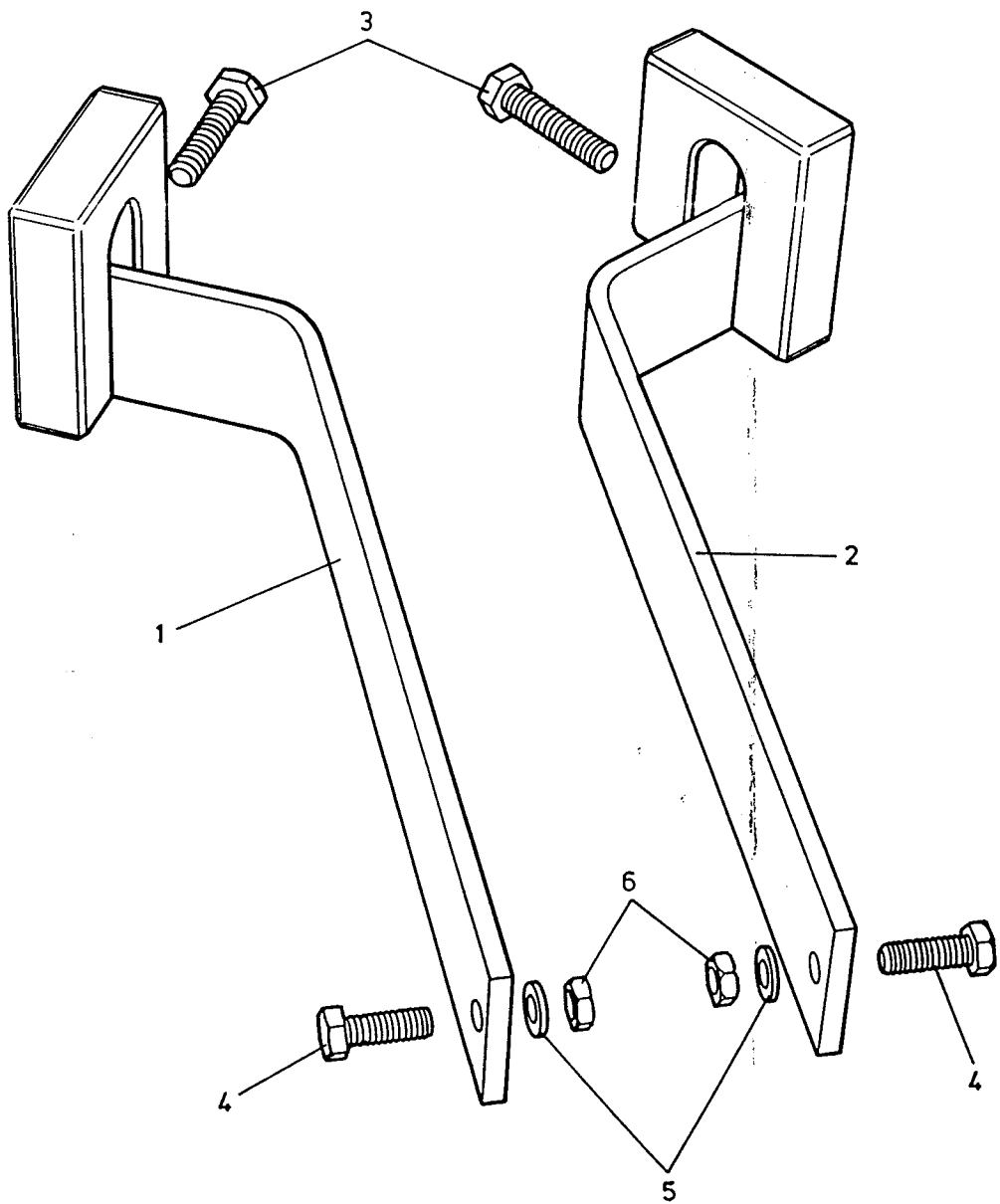
Art. 191643

TOOLS
UTILAJES HS-007
OUTILAGES

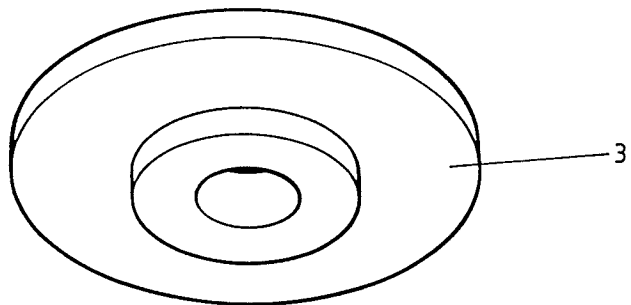
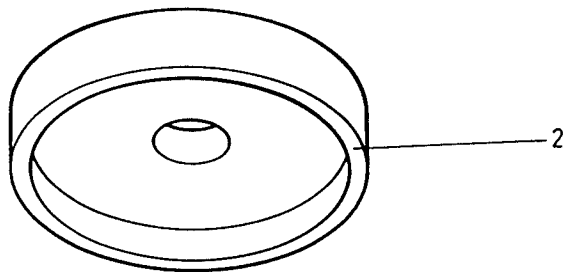
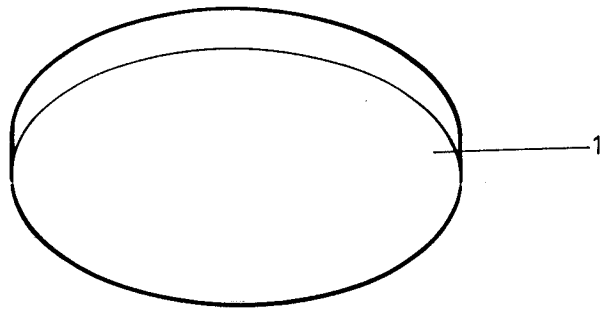


Nº	REF.	DENOMINATION	DENOMINACION	DÉNOMINATION
1	191460	TRANSPORT FIXING ANGLE	ANGULO FIJACION TRANSPORTE	ANGLE FIXATION TRANSPORT
2	146555	ZINC HEX SCREW DIN933 M10X55	TOR.EX.ZINCADO DIN933 M10X55	VIS HEX ZINC DIN933 M10X55
3	149500	ZINC WASHER DIN 125 M-10	ARANDELA ZINCADA DIN125 M10	RONDELLE ZINC DIN 125 M-10
4	150193	ZINC HEX NUT DIN 934 M-10	TUERCA EX.ZINCADA DIN934 M10	ECROU HEX ZINC DIN 934 M-10
5	146407	ZINC HEX SCREW DIN 933 M-8X25	TOR.EX.ZINCADO DIN933 M 8X25	VIS HEX ZINC DIN 933 M-8X25
6	149518	ZINC WASHER DIN125 M 8	ARANDELA ZINCADA DIN125 M 8	RONDELLE ZINC DIN125 M 8

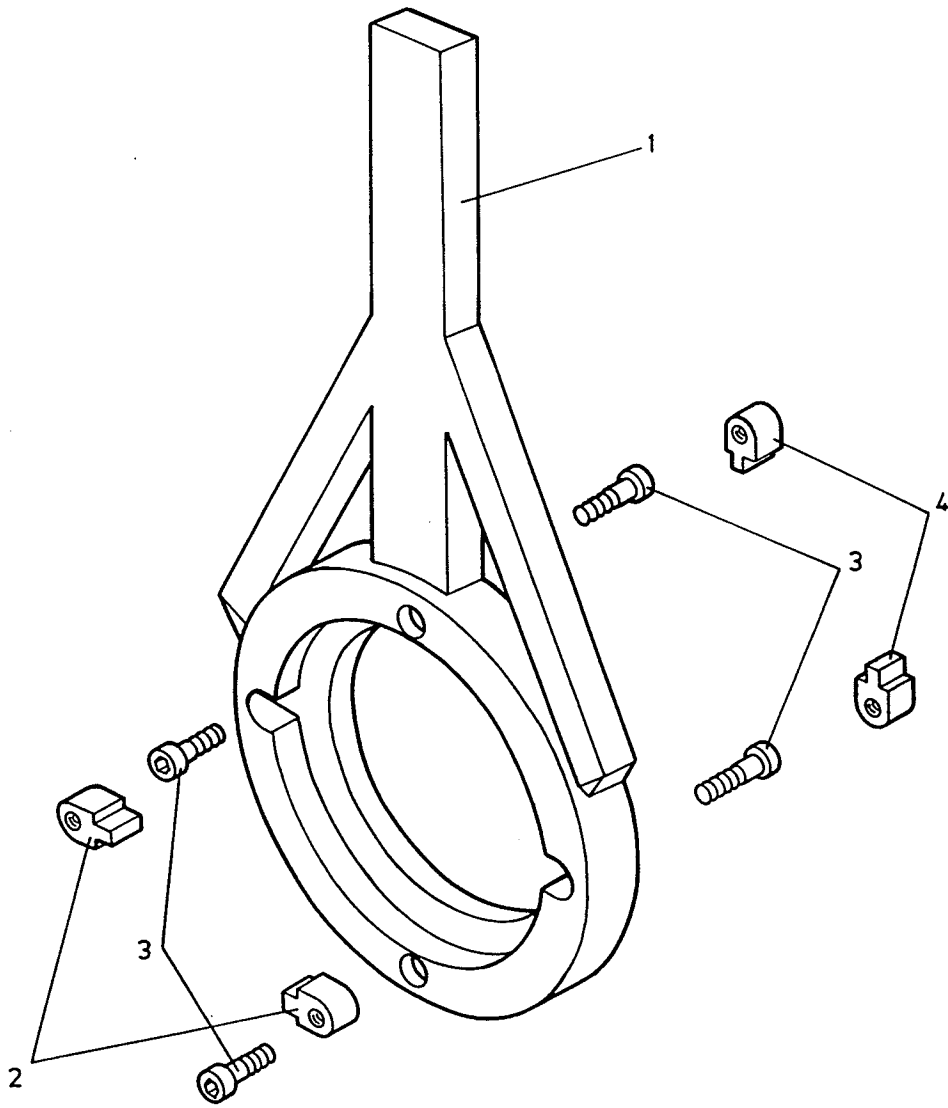




Nº	REF.	DENOMINATION	DENOMINACION	DÉNOMINATION
1	191593	CHASSIS FIXING PIECE (SCREW,NUT AND WASHER INCLUDED)	SOPORTE FIJACION CHASIS (INCLUYE TORNILLERIA)	SUPPORT FIXATION CHASSIS (VIS,ECROU ET RONDELLE COMPRIS)
2	191601	CHASSIS FIXING PIECE (SCREW,NUT AND WASHER INCLUDED)	SOPORTE FIJACION CHASIS (INCLUYE TORNILLERIA)	SUPPORT FIXATION CHASSIS (VIS,ECROU ET RONDELLE COMPRIS)
3	146431	ZINC HEX SCREW DIN 933 M-8X40	TOR.EX.ZINCADO DIN933 M 8X40	VIS HEX ZINC DIN 933 M-8X40
4	146316	ZINC HEX SCREW DIN 933 M-6X20	TOR.EX.ZINCADO DIN933 M 6X20	VIX HEX ZINC DIN 933 M-6X20
5	149526	ZINC WASHER DIN125 M 6	ARANDELA ZINCADA DIN125 M 6	RONDELLE ZINC DIN125 M 6
6	150227	ZINC HEX NUT DIN934 M 6	TUERCA EX.ZINCADA DIN934 M 6	ECROU HEX ZINC DIN934 M 6

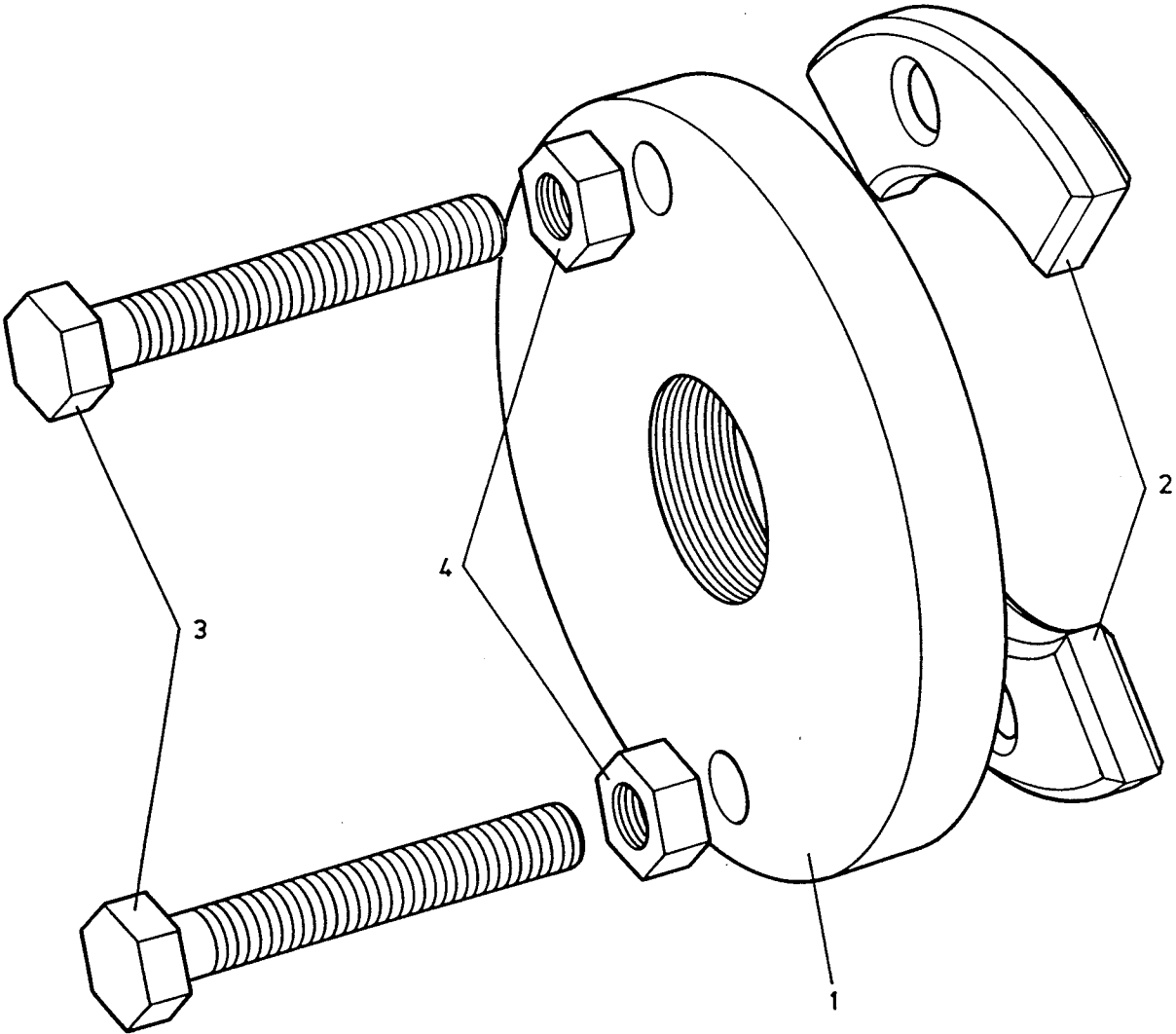


N°	REF.	DENOMINATION	DENOMINACION	DÉNOMINATION
1	191544	BEARING ASSEMBLY TOOL 6308-2RS	DISCO MONTAR RODAMIEN.6308-2RS	OUTIL MONTAGE ROULEMENT 6308
2	191536	SEAL ASSEMBLY TOOL 60X80X10	DISCO MONTAR RETEN 60X80X10	OUTIL MONTAGE RESERVE 60X80X10
3	191551	BEARING ASSEMBLY TOOL 6310-2Z	DISCO MONTAR RODAMIEN.6310-2Z	OUTIL MONTAGE ROULEMENT 6310



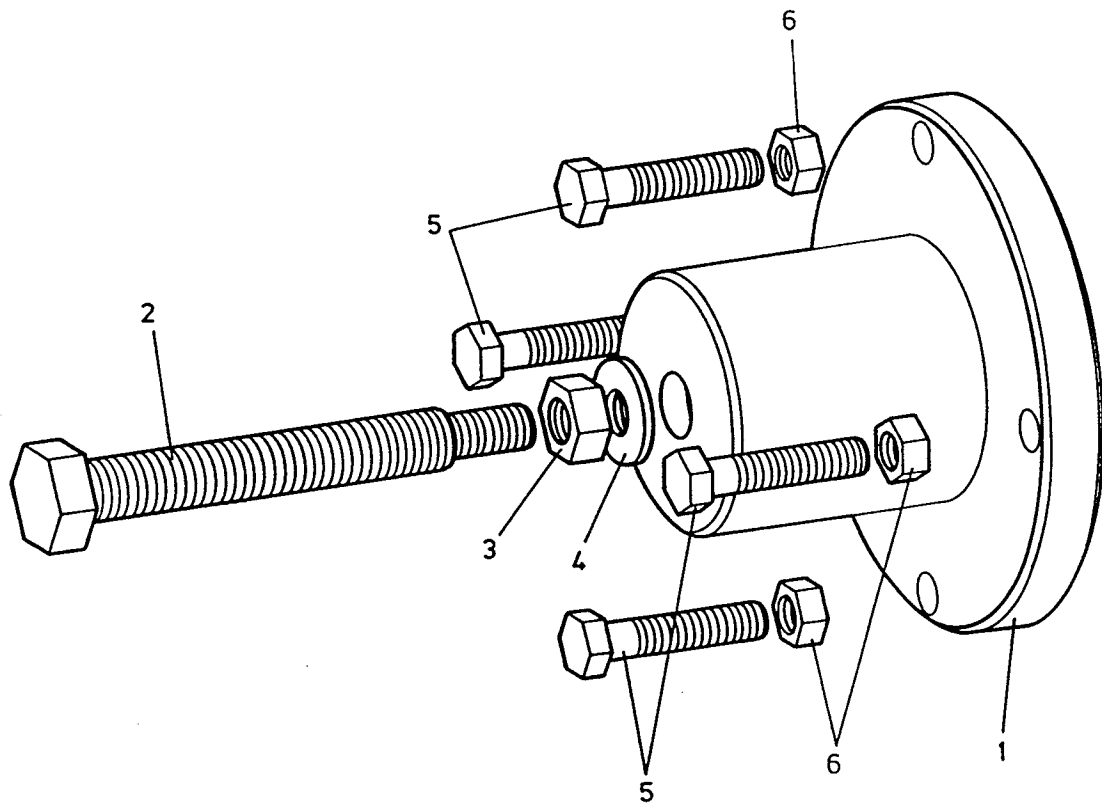
Nº	REF.	DENOMINATION	DENOMINACION	DÉNOMINATION
1	195461 *	BRACKET	SOPORTE	SUPPORT
2	195370	TRAILING TOOTH	DIENTE DE ARRASTRE	DENT ENTRAINEMENT
3	191254	ALLEN SCREW DIN 912 M 4X 15	TORNILLO ALLEN DIN912 M 4X15	VIS ALLEN DIN 912 M 4X 15
4	195214	TRAILING TOOTH	DIENTE DE ARRASTRE	DENT ENTRAINEMENT

* 195206 KEYS SET NUTS KM-7 AND KM-8 CONJ LLAVE TUERCAS KM-7 Y KM-8 ENSEMBLE CLE ECROUS KM-7, KM-8

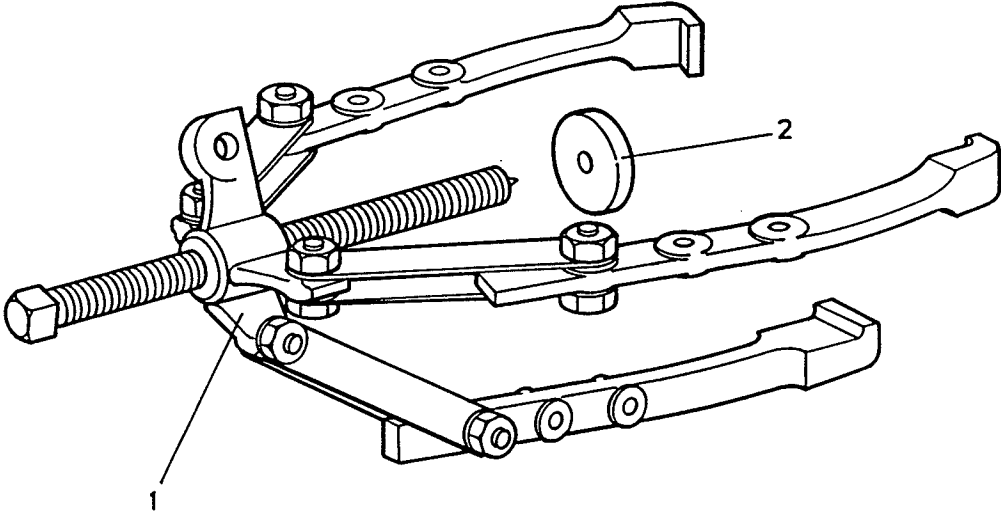


N°	REF.	DENOMINATION	DENOMINACION	DÉNOMINATION
1	191577 *	EXTRACTOR DISK	DISCO EXTRACTOR	DISQUE EXTRACTEUR
2	191585	EXTRACTOR SEG.	SEGMENTO EXTRACTOR	SEG.EXTRACTEUR
3	146530	BIC HEX.SCREW DIN933 M10X70	TOR.EX.DIN933-8.8 BICR.M10X 70	VIS HEX.DIN933-8.8 BICR.M10X70
4	150193	BICR HEX NUT DIN 934-8 M10	TUER.EX.DIN934-8 BICR.M10	ECROU HEX DIN 934-8 BICR.M10

* 191569 BASKET PULLEY EXPELLING SET CONJUNTO DESMONT.POLEA TAMBOR ENS.DEMONTAGE POULIE TAMBOUR



Nº	REF.	DENOMINATION	DENOMINACION	DÉNOMINATION
1	192716	BRACKET	SOPORTE MONTAR Y RECAL.C.COJIN	SUPPORT
2	192609	SCREW	TORNILLO	VIS
3	194423	HEX NUT SIZE 10 DIN934 M14X1,5	TUER.EX.CLASE10 DIN934 M14X1,5	ECROU HEX.CL.10 DIN934 M14X1,5
4	149393	ZINC WASHER DIN 125 M-14	ARANDELA ZINCADA DIN125 M14	RONDELLE ZINC DIN 125 M-14
5	146431	ZINC HEX SCREW DIN 933 M-8X40	TOR.EX.ZINCADO DIN933 M 8X40	VIS HEX ZINC DIN 933 M-8X40
6	150201	ZINC HEX NUT DIN 934 M-8	TUERCA EX.ZINCADA DIN934 M 8	ECROU HEX ZINC DIN 934 M-8



Nº	REF.	DENOMINATION	DENOMINACION	DÉNOMINATION
1	191973	PULLEY DISASS.EXTRACTOR	EXTRACTOR DESM.POLEA Y VARIOS	EXTRACTEUR DEMONTAGE POULIE
2	180612	DISK	DISCO	DISQUE

