

ELECTRIC HEATING MACHINE ONLY
 SOLO MAQUINA CON CALEFACCION ELECTRICA
 SEULEMENT MACHINE AVEC CHAUFFAGE ELECTRIQUE

ENGLISH

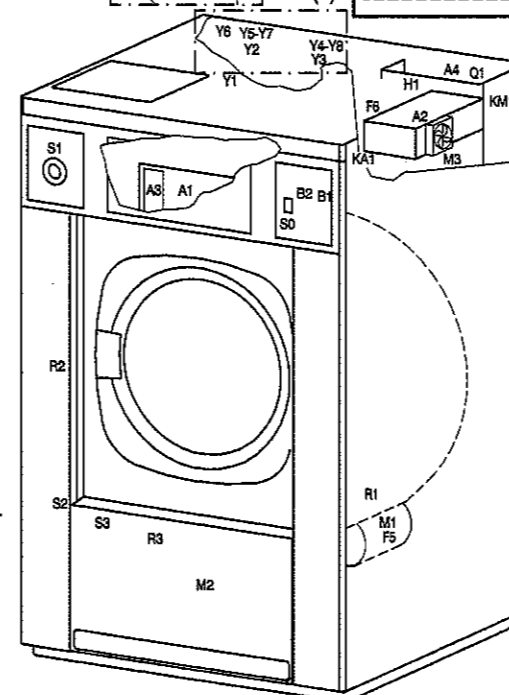
- A1 CONTROL CIRCUIT
- A2 INVERTER
- A3 DC SOURCE
- A4 FUSES ,DISPENSER 1 to 4
- B1 COIN DETECTOR -1
- B2 COIN DETECTOR -2
- F1-2-3(A4) CONTROL FUSES
- F4(A3) DC POWER SUPPLY FUSE
- F5 MOTOR THERM. PROTECTION
- F6 INVERTER FUSE
- KA1 INVERTER RELAY
- KA2(A4) PRE-WASH
- KA3(A4) WASH
- KA4(A4) BLEACH
- KA5(A4) SOFTENER
- KM1 HEATERS CONTACTOR
- H1 WATER LEVEL DETECTOR
- M1 WASH MOTOR
- M2 DRAIN
- M3 INVERTER FAN
- Q1 MAIN SWITCH
- R1 HEATERS
- R2 DOOR LOCK
- R3 TEMPERATURE PROBE
- S0 START-STOP (LC only)
- S1 EMERGENCY STOP (LC only)
- S2 UNBALANCE
- T1 CONTROL TRANSFORMER
- Y1 STEAM SELENOID
- Y2 COLD WASH WATER SELENOID
- Y3-4 HOT WASH WATER SELENOID
- Y5-6 PREWASH & RINSES DISPENSER
- Y7 BLEACH DISPENSER
- Y8 SOFTENER DISPENSER
- Y9 COIN METER INTERLOCK

ESPAÑOL

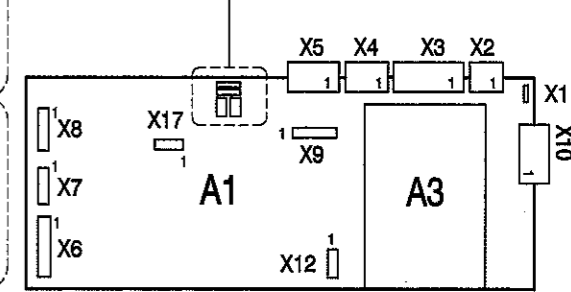
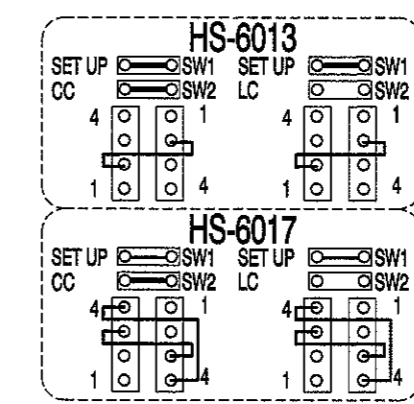
- CIRCUITO MANDO
- INVERTER
- CIRCUITO CC
- FUSIBLES Y DOSIFICADOR 1 a 4
- DETECTOR MONEDAS -1
- DETECTOR MONEDAS -2
- FUSIBLES MANDO
- FUSIBLE CIRCUITO CC
- PROTECCION TERM. MOTOR
- FUSIBLE INVERTER
- RELE INVERTER
- PRELAVADO
- LAVADO
- BLANQUEANTE
- SUAVIZANTE
- CONTACTOR CALEFACTORES
- DETECTOR NIVEL BAÑO
- MOTOR LAVADO
- DESAGÜE
- VENTILADOR INVERTER
- INTERRUPTOR PRINCIPAL
- CALEFACTORES
- BLOQUEO PUERTA
- SONDA TEMPERATURA
- MARCHA-PARO (Solo LC)
- PARO EMERGENCIA (Solo LC)
- DESEQUILIBRIO
- TRANSFORMADOR MANDO
- ELECTROVALVULA VAPOR
- ELECTROVALVULA AGUA FRIA LAVADO
- ELECTROVALVULA AGUA CALIENTE LAVADO
- DOSIFICADOR PRELAVADO Y ACLARADOS
- DOSIFICADOR BLANQUEANTE
- DOSIFICADOR SUAVIZANTE
- BLOQUEO MONEDERO

FRANCAIS

- CIRCUIT COMMANDE
- INVERSEUR FREQUENCE
- CIRCUIT CC
- FUSIBLES ET DOSSAGE 1 a 4
- DETECTEUR MONNAIES -1
- DETECTEUR MONNAIES -2
- FUSIBLES COMMANDE
- FUSIBLE CIRCUIT CC
- PROTECTION TERM. MOTEUR
- FUSIBLE INVERSEUR
- RELE INVERSEUR
- PRELAVAGE
- LAVAGE
- BLANQUISANT
- ADOUSSANT
- CONTACTEUR CHAUFFAGE
- MOTEUR LAVAGE
- MOTEUR LAVAGE
- VIDANGE
- VENTILATEUR INVERSEUR
- INTERRUPTEUR PRINCIPALE
- ELEMENTS DE CHAUFFE
- VERROUILLAGE PORTE
- SONDE TEMPERATURE
- MARCHE-ARRÊT (Seulement LC)
- ARRÊT URGENCE (Seulement LC)
- DESEQUILIBRE
- TRANSFORMATEURS COMMANDEMENT
- ELECTROVANNE VAPEUR
- ELECTROVANNE EAU FROIDE LAVAGE
- ELECTROVANNE EAU CHAUDE LAVAGE
- DOSSAGE PRELAVAGE ET RINÇAGES
- DOSSAGE BLANQUISANT
- DOSSAGE ADOUSSANT
- VERROUILLAGE MONNAYEUR



(1) STANDARD OPTION
 (1) OPCION STANDARD
 (1) OPTION STANDARD
 (2) HIGH TEMPERATURE OPTION
 (2) OPCION ALTA TEMPERATURA
 (2) OPTION HAUTE TEMPERATURE



| | | | | | |
|----------------------|---------------|-----------|----------|--|----------|
| 3 | A. Mora | J. Alsina | 21-12-05 | I. Riera | 4/1/06 |
| 2 | A. Mora | J. Alsina | 27-05-05 | I. Riera | 12-7-05 |
| 1 | A. Mora | J. Alsina | 24-02-05 | I. Riera | 1-3-05 |
| 0 | A. Mora | J. Alsina | 19-01-05 | I. Riera | 31-1-05 |
| MODIFIC. No. | DIBUJ-PROY. | | REVISADO | FECHA | APROBADO |
| MODELO | HS-6017 CC LC | LC | 2120001 | ESQUEMA No. N-3708 A | |
| No. SERIE | HS-6013 CC LC | LC | 2110001 | DO NOT REPRODUCE WITHOUT PERMISSION IN WRITING NO REPRODUCIR SIN AUTORIZACION ESCRITA NE PAS REPRODUIRE SANS AUTORISATION ECRITE REPRODUCTION NUR MIT SCHRIFTLICHER GENEHMIGUNG | |
| GIRIBAU, S.A. | | | | | |