



Model	From Serial #
HS-5008	886.068
H5020	1.340.001

Setup Instructions for Washers HS-5008 / H5020

GIRBAU, S.A.

Crta de Manlleu, km. 1
08500 VIC (Barcelona) • SPAIN
Tel. 34 93 8861100
Fax 34 93 8860785
girbau@girbau.es
www.girbau.com

SETUP
HS-5008
H5020

Rev. 01

For USA & CANADA:

CONTINENTAL GIRBAU Inc.

2500 State Road 44
WI 54904 Oshkosh • USA
Tel. 1(920) 231-8222
Fax 1(920) 231-4666
info@cont-girbau.com
www.cont-girbau.com

Cod. 409748
Rev. 01/1002

INDEX	2
SAFETY INSTRUCTIONS	2
1. LOGI/COIN CONTROL CONFIGURATION..	3
1.1 Access to the selection switch	3
2. ACCESS TO CONFIGURATION MENU	3
3. LOGI CONTROL CONFIGURATION	4
3.1. Heater system	4
3.2. Drain system	4
3.3. Utilisation field	4
3.4. Return to the basic configuration	5
4. COIN CONTROL CONFIGURATION	6
4.1. Heater system	6
4.2. Drain system	6
4.3. Utilisation field	6
4.4. Payment system	7
4.5. Coin inlets	7
4.6. Inlet 1: less valuable coin	7
4.7. Inlet 2: higher value coin	7
4.8. Return to the basic configuration	7
5. CONFIGURATION DIAGRAMS	9
5.1. Configuration diagram LOGI CONTROL	9
5.2. Configuration diagram COIN CONTROL	9

HANDBOOK APPLICATION

The operation instructions on this handbook are applicable to machines with program **20** version and above. (Refer to **INFO menu, Section 2.4** on the Advanced Operation Instructions **rev. 01** at the manufacturer's website www.girbau.com)



SAFETY INSTRUCTIONS

The safety warnings on the Installation manual must be followed. Read them before servicing the washer.



WARNING!

Before attempting any service or inspection of the washing machine:

- **COMPLETELY** disconnect the machine from the original power source and check for accidental reconnection. In LOGI CONTROL units, moving the **ON** switch to the OFF position is not sufficient.
- Wait a minimum of (5) five minutes after disconnection to ensure the elimination of residual voltage within the machine.
- Close and mechanically interlock the water supply valves and check that machine has **COMPLETELY** drained, parts have cooled down and that no pieces are in movement through inertia.

Failure to comply with this warning may result in serious injury.

The access to machine configuration is restricted to the Authorised Service Technicians.

Setup

1. LOGI/COIN CONTROL CONFIGURATION

The HS-5008 washing machine has two different modes: the COIN control and the LOGI control. The operation features and their utility are specified in their respective operation manuals.

The type of control adopted by the machine is defined by a autoconfiguration inner switch located at the microprocessor board.

The position of the control selector switch on a washer coming from the factory is appropriate for the machine where it is installed.

If replacing the microprocessor of a machine already installed, the position of the switch should be adapted to the characteristics of the machine.

1.1 Access to the control selection inner switch

1. Disconnect and mechanically lock the external automatic switch.
2. Open machine front panel with a key. Refer to **fig. 1**. Be careful not to damage or disconnect any control component.
3. Access to the switch indicated on **fig. 1**. The switch position, indicates the type of control:
Switch open: LOGI control unit.
Switch closed: COIN control unit.
4. Close again machine front with the key.
5. Connect the external automatic switch.



The modification of the control type selector implies a complete modification in the functioning of the washer. NEVER CARRY OUT THIS OPERATION WITHOUT IT BEING COMPLETELY JUSTIFIED.

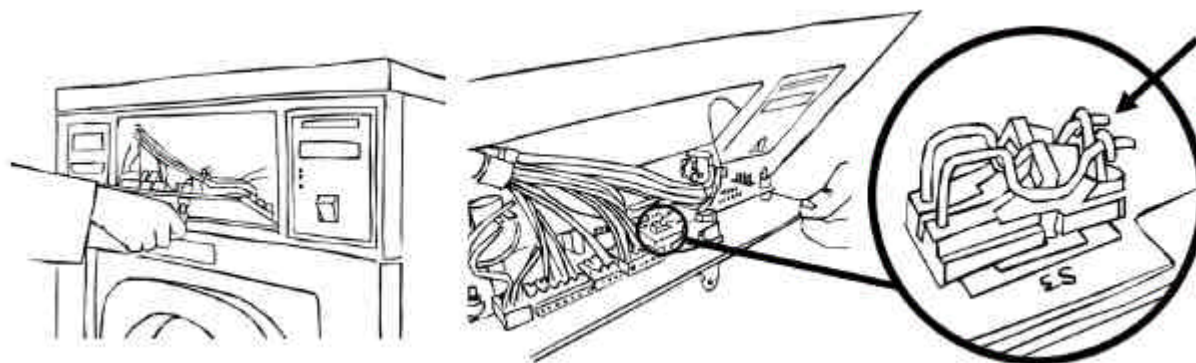


fig. 1

2. ACCESS TO CONFIGURATION MENU

The programming of CONFIGURATION parameters, adapts the washer's control operation to the physical features of the machine.

Access to the CONFIGURATION menu is carried out by changing the position of a switch situated on the microprocessor board.

To access the CONFIGURATION menu:

1. Disconnect and mechanically lock the external automatic switch.
2. Open front panel with machine key. Be careful not to damage or disconnect any control component.
3. Access to switch on **fig. 2** and carefully open. The switch position, indicates machine operation mode:

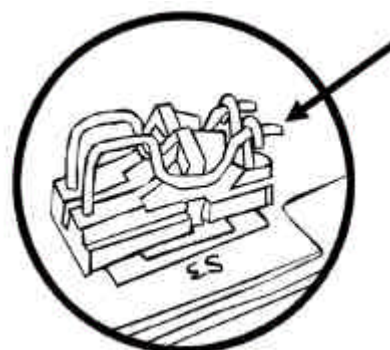


fig. 2

Switch open: Machine in CONFIGURATION mode.

Switch closed: Machine in NORMAL operation mode.

4. Close again machine front with the key.

5. Connect the external automatic switch.
6. Display will show CONF.

To return to the NORMAL operation mode:

1. Disconnect and mechanically lock the external automatic switch.

2. Open front panel with machine key. Be careful not to damage or disconnect any control component.
3. Access to the selection switch and carefully close it.
4. Close again machine front with the key.
5. Connect the external automatic switch.

3. LOGI CONTROL CONFIGURATION

Summary table of the parameters which can be modified in the **CONFIGURATION** menu.

PARAMETER	MODIFICATION OF	OPTIONS	
Ht	Heater system	Ht-0	Unit without heating
		Ht-1	Unit with heating
E	Drain system	E-Pu	Pump drain
		E-Uu	Gravity drain (valve).
CE / USA	Utilisation field	CE	General utilisation field
		USA	USA / CANADA utilisation field
CLR	Return to the basic configuration	-	-

Access to the **CONFIGURATION** menu according to section 2.

3.1. Heater system

It allows to select the machine heating system.

When **CONF** is displayed, press the **MOD** key to access the heating selection step:

OPTIONS	MEANING
Ht-0	Unit without heating
Ht-1	Unit with heating

1. Use the ▲ or ▼ keys to modify the parameter.
2. Press the **MOD** key to validate the parameter configuration and to go to the following step.

3.2. Drain system

It allows to select the machine drain system.

When **CONF** is displayed, press the **MOD** key twice to access to the drain selection parameter:

OPTIONS	MEANING
E-Pu	Pump drain
E-Uu	Gravity drain (valve)

1. Use the ▲ or ▼ keys to modify the parameter.
2. Press the **MOD** key to validate the parameter configuration and to go to the following step.

3.3. Utilisation Field

This option adapts the Wash programs and the Functioning Parameters to determined utilisation fields.

Consult the contents of the Washing Programs and the Operation Parameters on the Advanced Operation Instructions **HS-5008 / H5020 LOGI CONTROL rev. 01** at the manufacturer's website: www.girbau.com.

When **CONF** is displayed, press the **MOD** key three to access to the **CE/USA** parameter.

OPTIONS	MEANING
CE	General utilisation field
USA	USA / CANADA utilisation field

Press the ▲ or ▼ keys to modify the option. Press the **MOD** key to validate the parameter configuration and to go to the following step.

3.4. Return to basic configuration

Parameter return option to the initial values.



When carrying out a **CLR**, the washing machine parameters are restored to their origin values. These changes affect the CONFIGURATION menu, the washing program contents (**Pro** menu), the operating parameters (**Mod** menu) and the Access Code to MODIFICATION mode (**Ncod** menu).

1. When **CONF** is displayed, press the **MOD** key three times to access to the **CLR** parameter.
2. When **CLR** is displayed, press the **▲** key.
3. **SURE** will be shown on the *display*. Press the **ACCL** key to confirm the carrying out of a general clear.

Any combination different to the described above won't carry out the **CLR**.

Summary table of the default values when carrying out a CLR.

MENU	PARAMETER	VALUE	REFERENCE
CONF	Ht	0	Configuration manual. Section 3
	E	Pu	
	CE/USA	CE	
Pro	Program contents	Programs of general application	LOGI CONTROL Advanced Instructions manual. Rev. 01 Section 2.2.2
Mod	b	b-2	LOGI CONTROL Advanced Instructions manual. Rev. 01 Section 2.4
	C / F	C	
	AC	AC-1	
	SP	SP-0	
Ncod	Access code	MOD ® ▲	LOGI CONTROL Advanced Instructions manual. Rev. 01 Section 2.5
		ACCL ® ▼	
		MOD ® ▲	
		ACCL ® ▼	

Refer to www.girbau.com for Advanced Operation Instructions, Logi Control rev. 1

4. COIN CONTROL CONFIGURATION

Summary table of the parameters which can be modified in the configuration menu.

PARAMETER	MODIFICATION OF	OPTIONS	
Ht	Heater system	Ht-0	Unit without heating
		Ht-1	Unit with heating
E	Drain system	E-Pu	Pump drain
		E-Uu	Gravity drain (valve)
CE/USA	Utilisation field	CE	General utilisation field
		USA	USA/Canada utilisation field
PAYMENT SYSTEM CONTROL	Payment system	to	Payment system by tokens
		Mo	Payment system by coins
	Number of coin inlet	Mo-1	One inlet coin meter
		Mo-2	Two inlets coin meter
	Coin value	U-1	Value of inlet 1 of the coin meter
		U-2	Value of inlet 2 of the coin meter
CLR	Return to the basic configuration	-	-

Access to the **CONFIGURATION** menu according to section 2.

4.1. Heater system

It allows to select the machine heating system.

When **CONF** is displayed, press the **1** key to access to the heating selection step:

OPTIONS	MEANING
Ht-0	Unit without heating
Ht-1	Unit with heating

1. Use the **2** or **4** keys to modify the parameter.
2. Press **1** to validate the parameter configuration and to go to the following step.

4.2. Drain system

It allows to select the machine drain system.

When **CONF** is displayed, press the **1** key twice to access to the drain selection parameter:

OPTIONS	MEANING
E-Pu	Pump drain
E-Uu	Gravity drain (valve)

1. Use the **2** or **4** keys to modify the parameter.
2. Press **1** to validate the parameter configuration and to go to the following step.

4.3. Utilisation Field

This option adapts the Wash programs and the Functioning Parameters to determined utilisation fields.

Consult the contents of the Washing Programs and the Operation Parameters on the Advanced Operation Instructions **HS-5008 / H5020 COIN CONTROL rev. 01** at the manufacturer's website: www.girbau.com.

When **CONF** is displayed, press the **1** key three times to access to the **CE/USA** parameter.

OPTIONS	MEANING
CE	General utilisation field
USA	USA / CANADA utilisation field

1. Use the **2** or **4** keys to modify the option.
2. Press **1** to validate the parameter configuration and to go to the following step.

4.4. Payment system

Configuration of parameters related to the programs payment system.

When **CONF** is displayed, press the **1** key four times to access to parameter **P**.

OPTIONS	MEANING
P-to	Payment system: tokens
P-Mo	Payment system: coins

1. Use the **2** or **4** keys to modify the option.
2. Press **1** to validate the parameter configuration and to go to the following step.

4.5. Coin inlets

Coin meter selection with one or two coin inlets. This parameter is only active if the previous parameter **P** is configured as Coin meter (**P-Mo**).

When **CONF** is displayed, press the **1** key five times to access to parameter **Mo**.

OPTIONS	MEANING
Mo-1	Single coin meter
Mo-2	Double coin meter

1. Use the **2** or **4** keys to modify the option.
2. Press **1** to validate the parameter configuration and to go to the following step.

4.6. Inlet 1 (less valuable coin)

Selection of the associated value when inserting coin 1. This parameter is only active if parameter **P** is configured as coin meter (**P-Mo**).

When **CONF** is displayed, press the **1** key six times to display **U-1**.

1. Press again the **1** key to display the coin value to be consulted/configured.
2. Press the **2** or **4** keys to increase or reduce respectively in units the first digit. (key **1** exit)
3. Press the **3** key to change the active digit. (key **1** exit)
4. Repeat steps 2 and 3 until the wished value of the four digits is attained.
5. Press the **3** key to activate the decimal point. (key **1** exit)
6. Press the **2** and **4** keys to move the decimal point to the left and the right respectively. (key **1** exit)
7. Press the **1** key to validate the value displayed and go to the next step.

4.7. Inlet 2 (higher value coin)

Selection of the associated value when inserting coin 2. This parameter is only active if the payment system is configured as dual coin meter (**P-Mo** & **Mo-2**).

When **CONF** is displayed, press the **1** key eight times to display **U-2**.

1. Press again the **1** key to display the coin value to be consulted/configured.
2. Press the **2** and **4** keys to increase or reduce respectively in units the first digit. (key **1** exit)
3. Press the **3** key to change the active digit. (key **1** exit)
4. Repeat steps 2 and 3 until the wished value of the four digits is attained.
5. Press the **1** key to validate the value displayed and go to the next step.

In the configuration of the associated value to the inlet 2, the decimal point position can't be selected since it is pre-set by the position defined in the value of the coin 1.

4.8. Return to the basic configuration

Parameter return option to the initial values.



When carrying out a **CLR**, the washing machine parameters are restored to their origin values. These changes affect the **CONFIGURATION** menu, the washing program contents (**Pro** menu), the programs price (**CASH** menu), the operating parameters (**Mod** menu) and the Access Code to **MODIFICATION** mode (**Ncod** menu).

When **CONF** is displayed, press the **1** key until you access the **CLR** parameter.

1. When **CLR** is displayed, press the **2** key.
2. **SURE** will be shown on the *display*. Press the **3** key to confirm the carrying out of a general clear. Pressing the **1** key the option will skip without carrying out.

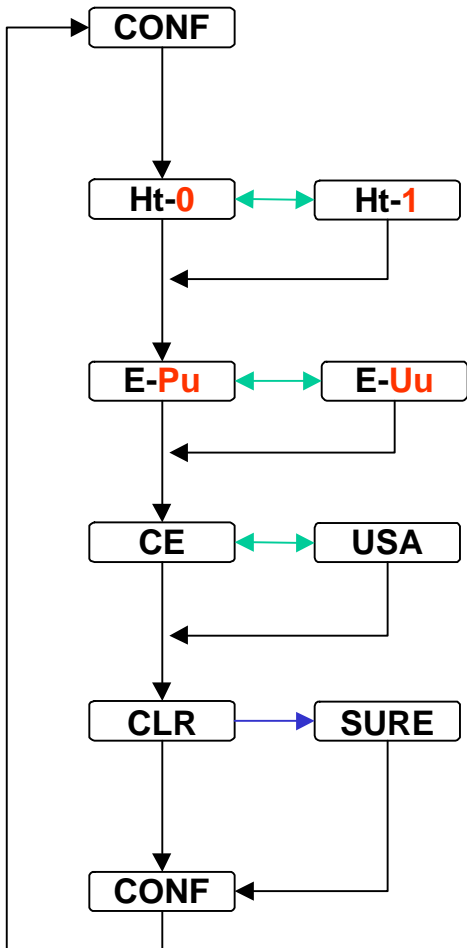
Any combination different to the described above won't carry out the **CLR**

Summary table of the defaults when carrying out a CLR.

MENU	PARAMETER	VALUE	REFERENCE
CONF	Ht	0	Configuration Manual. Section 4
	E	Pu	
	CE/USA	CE	
	to/Mo	To	
Pro	Program contents	Programs of general application	COIN CONTROL Advanced Instructions manual. Rev. 01 Section 2.2.2
CASH	Price of each program	FrEE	COIN CONTROL Advanced Instructions manual. Rev. 01 Section 2.3
Mod	C / F	C	COIN CONTROL Advanced Instructions manual. Rev. 01 Section 2.6
	Ed	Ed-0	
	PSH	PSH-0	
	SP	SP-0	
	Hr	Hr-0	
Ncod	Access code	1,2,3,4, 1,2,3,4.	COIN CONTROL Advanced Instructions manual. Rev. 01 Section 2.7

Refer to www.girbau.com for Advanced Operation Instructions, Logi Control rev. 1

5.1 CONFIGURATION
Diagram LOGI CONTROL



5.2 CONFIGURATION
Diagram COIN CONTROL

