



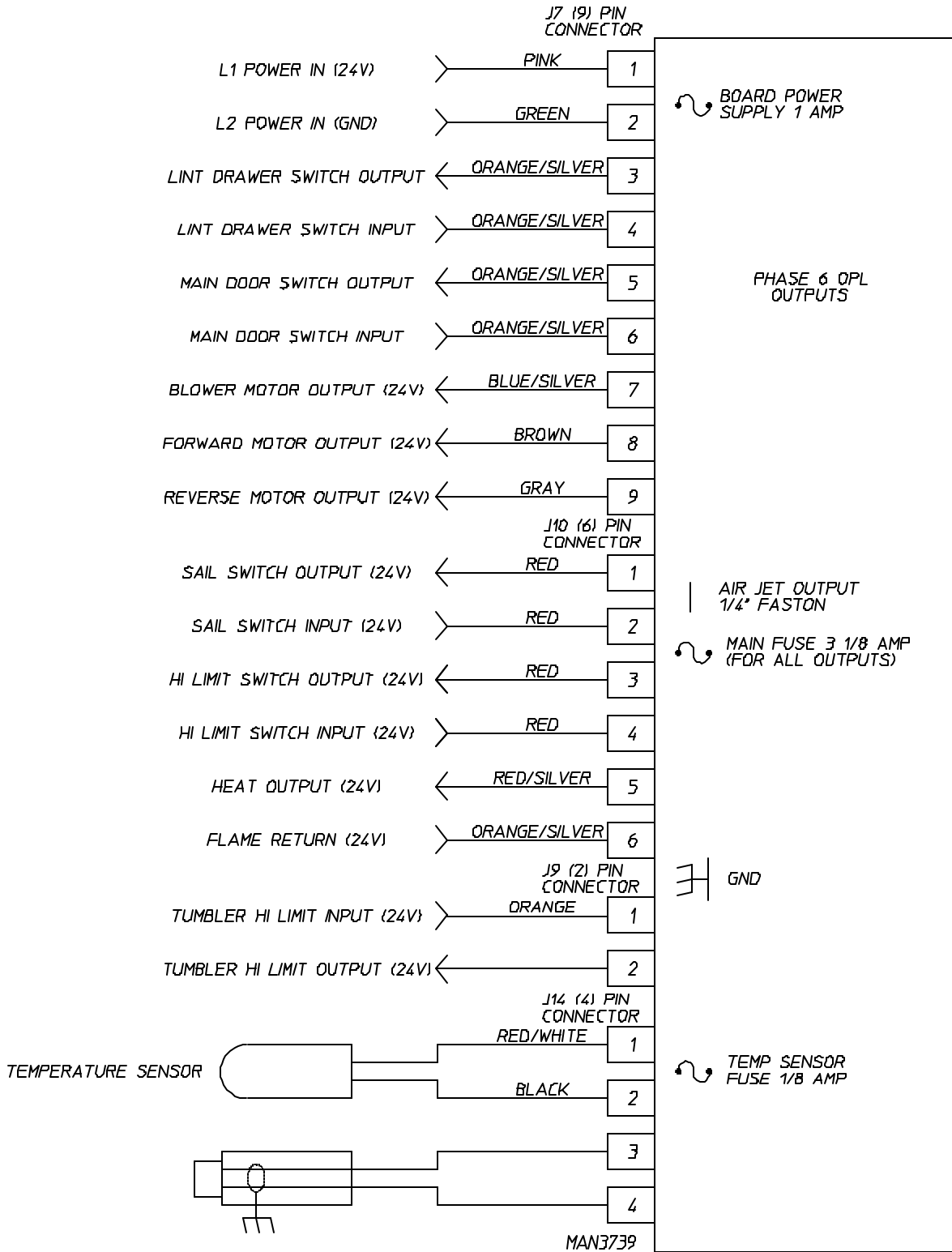
# **Phase 6 OPL Circuit Diagrams Service Booklet**

---

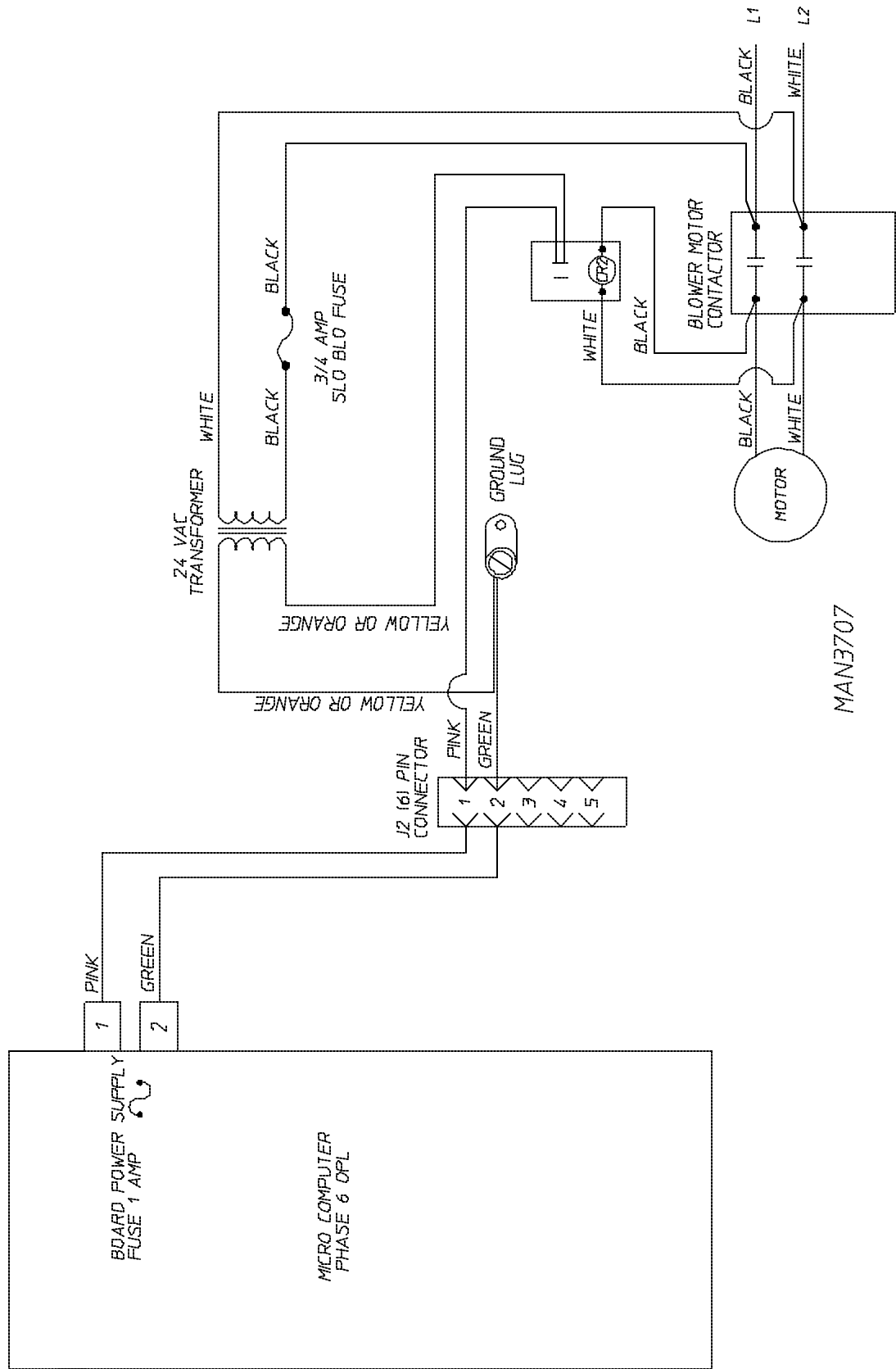
---

**American Dryer Corporation**  
88 Currant Road  
Fall River MA 02720-4781  
Telephone: (508) 678-9000 / Fax: (508) 678-9447  
e-mail: techsupport@amdry.com

# PHASE 6 OPL CONTROLLER CIRCUITS

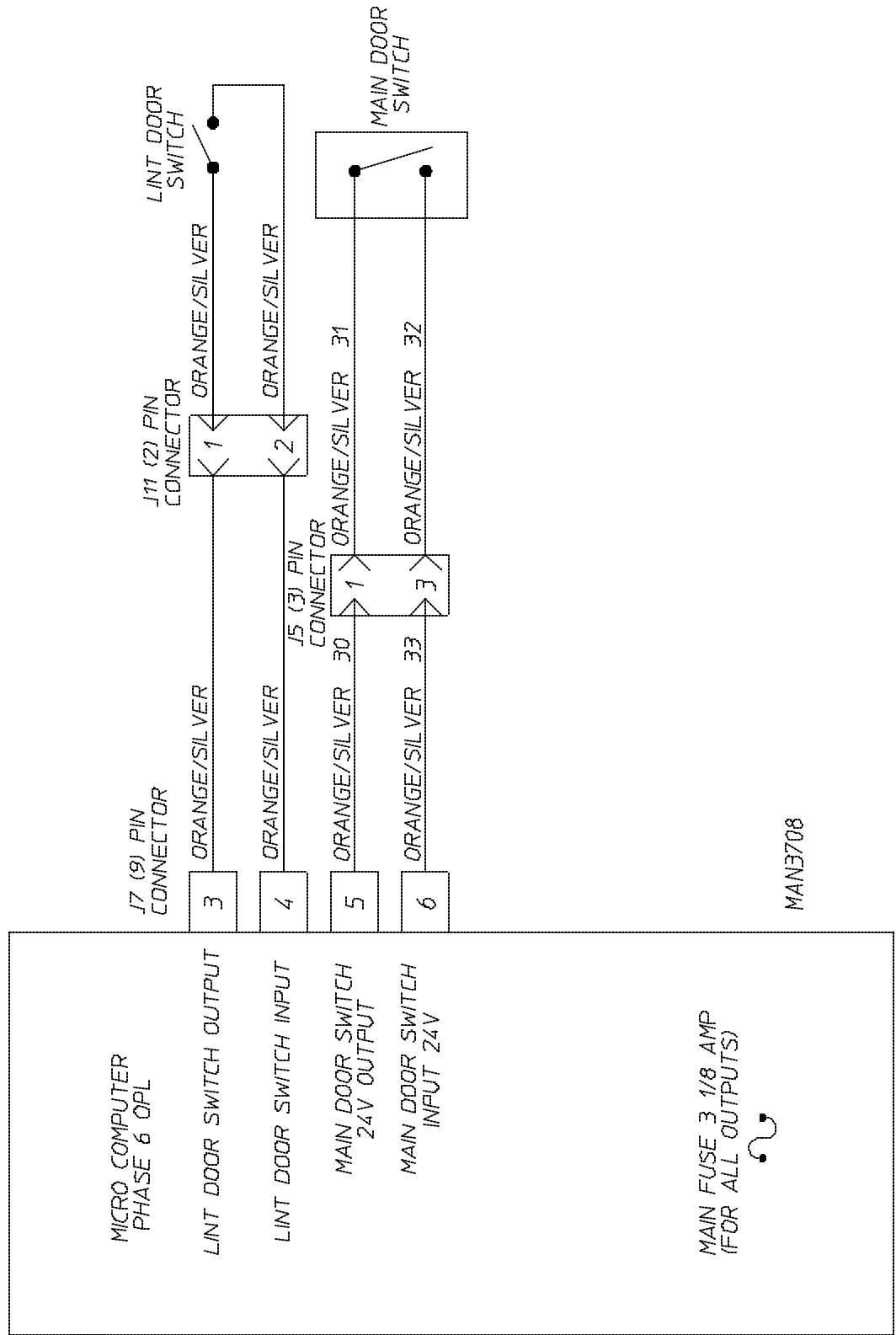


PHASE 6 OPL CONTROLLER MAIN POWER CIRCUIT 10



MAN3707

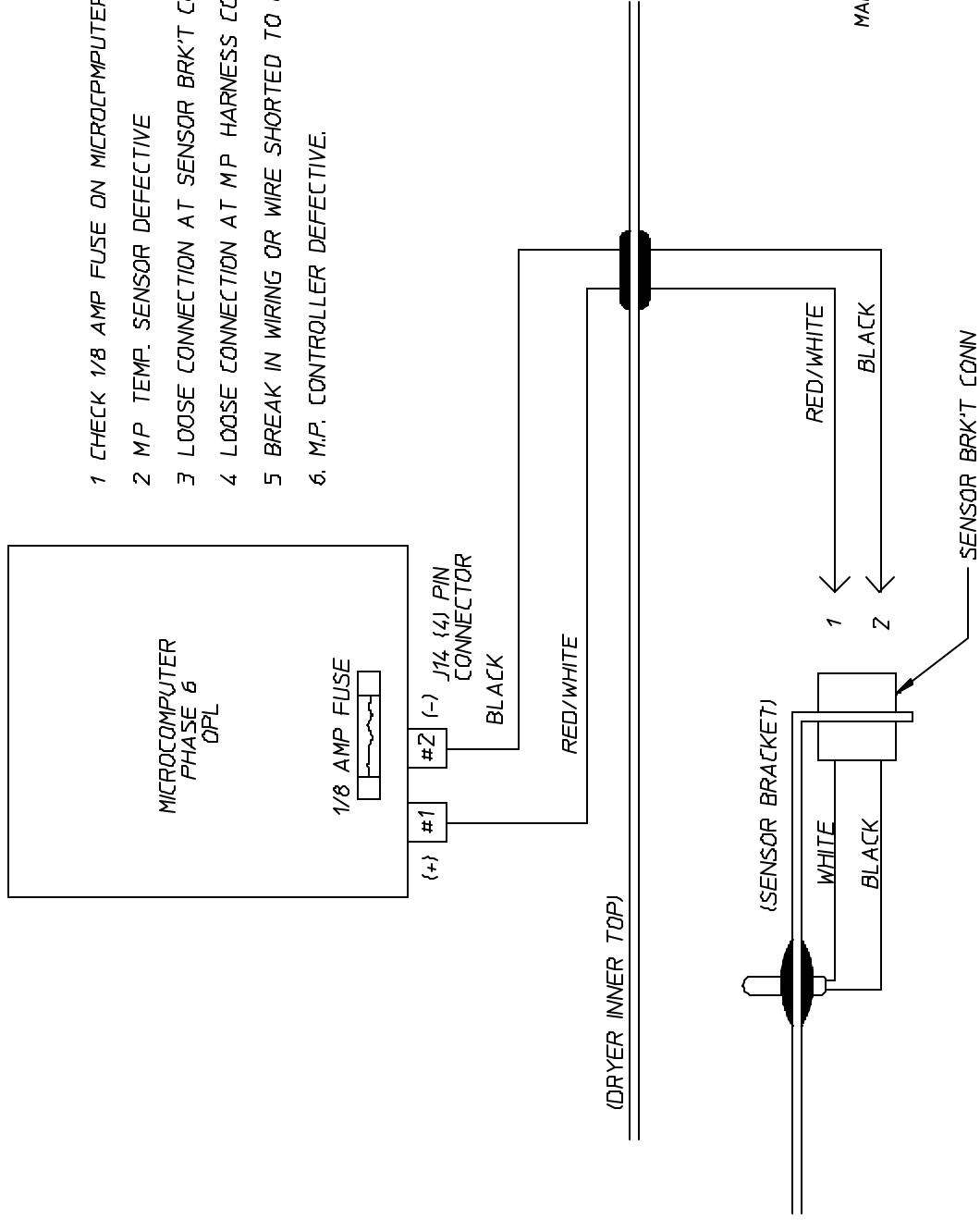
PHASE 6 OPL LINT DOOR/MAIN DOOR CIRCUIT



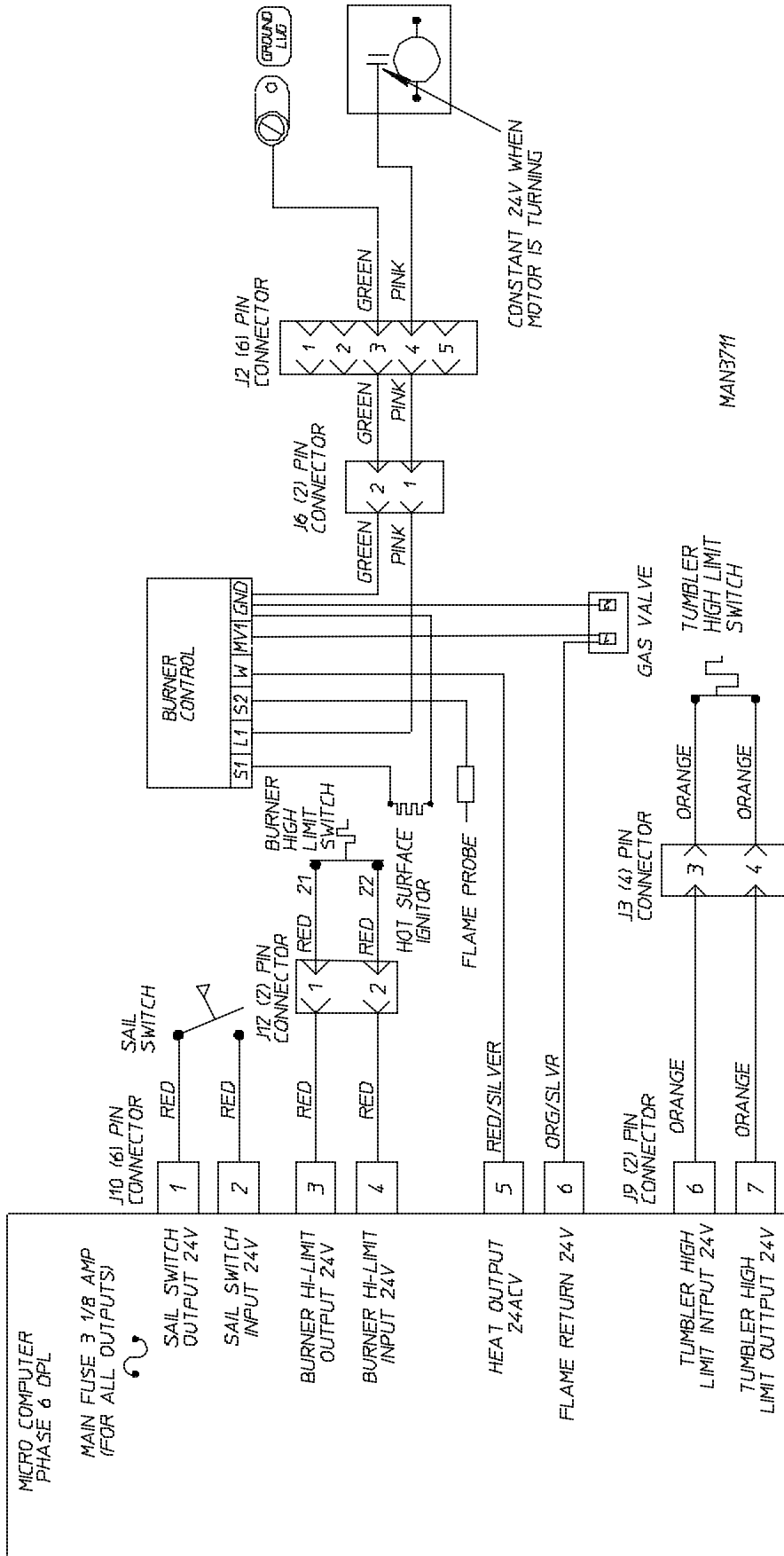
MAN3708

# PHASE 6 OPL "DSFL" DISPLAY CONDITION

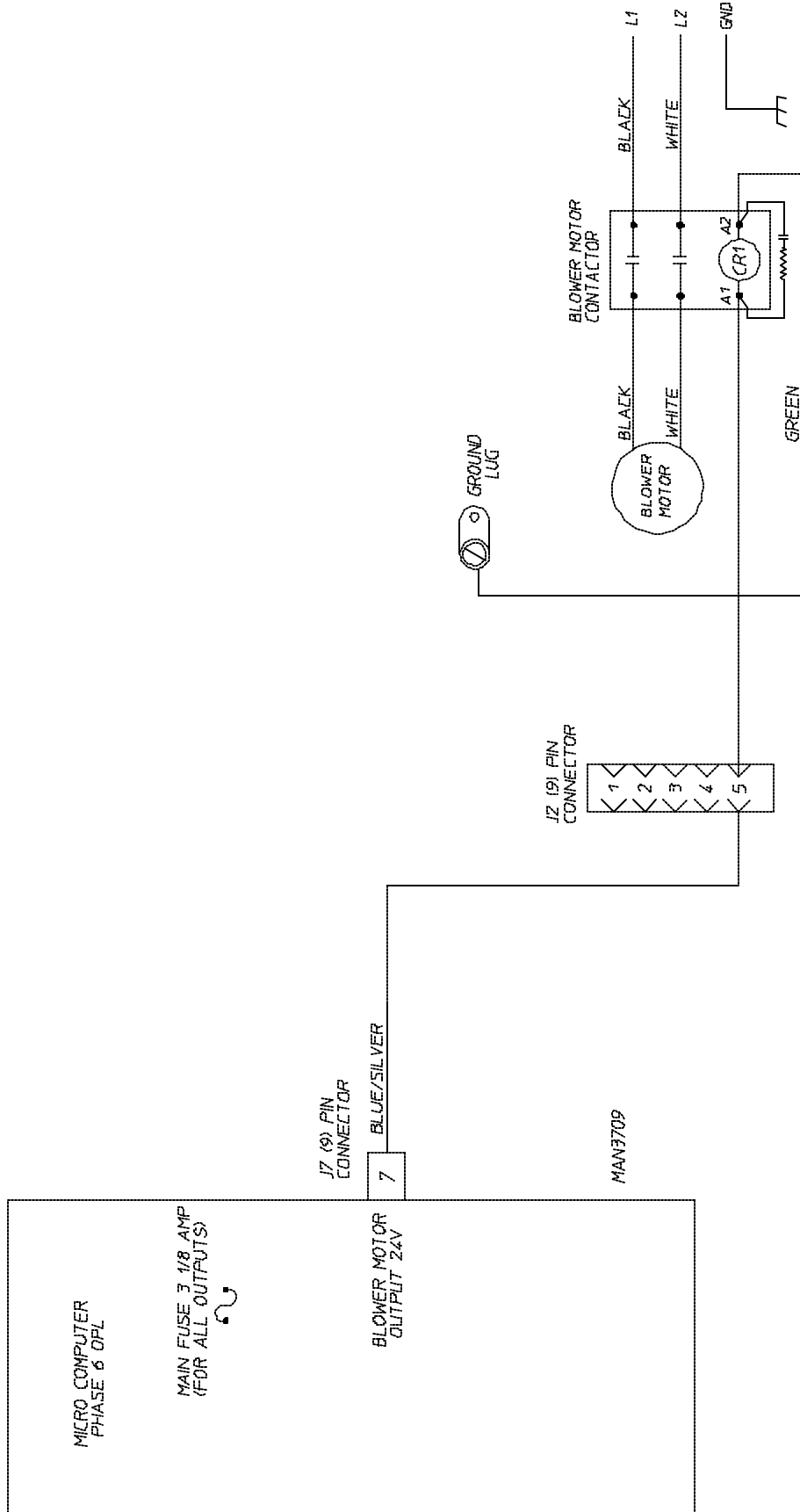
- 1 CHECK 1/8 AMP FUSE ON MICROCOMPUTER
- 2 MP TEMP. SENSOR DEFECTIVE
- 3 LOOSE CONNECTION AT SENSOR BRK'T CONNECTOR
- 4 LOOSE CONNECTION AT MP HARNESS CONNECTOR
- 5 BREAK IN WIRING OR WIRE SHORTED TO GROUND
6. M.P. CONTROLLER DEFECTIVE.



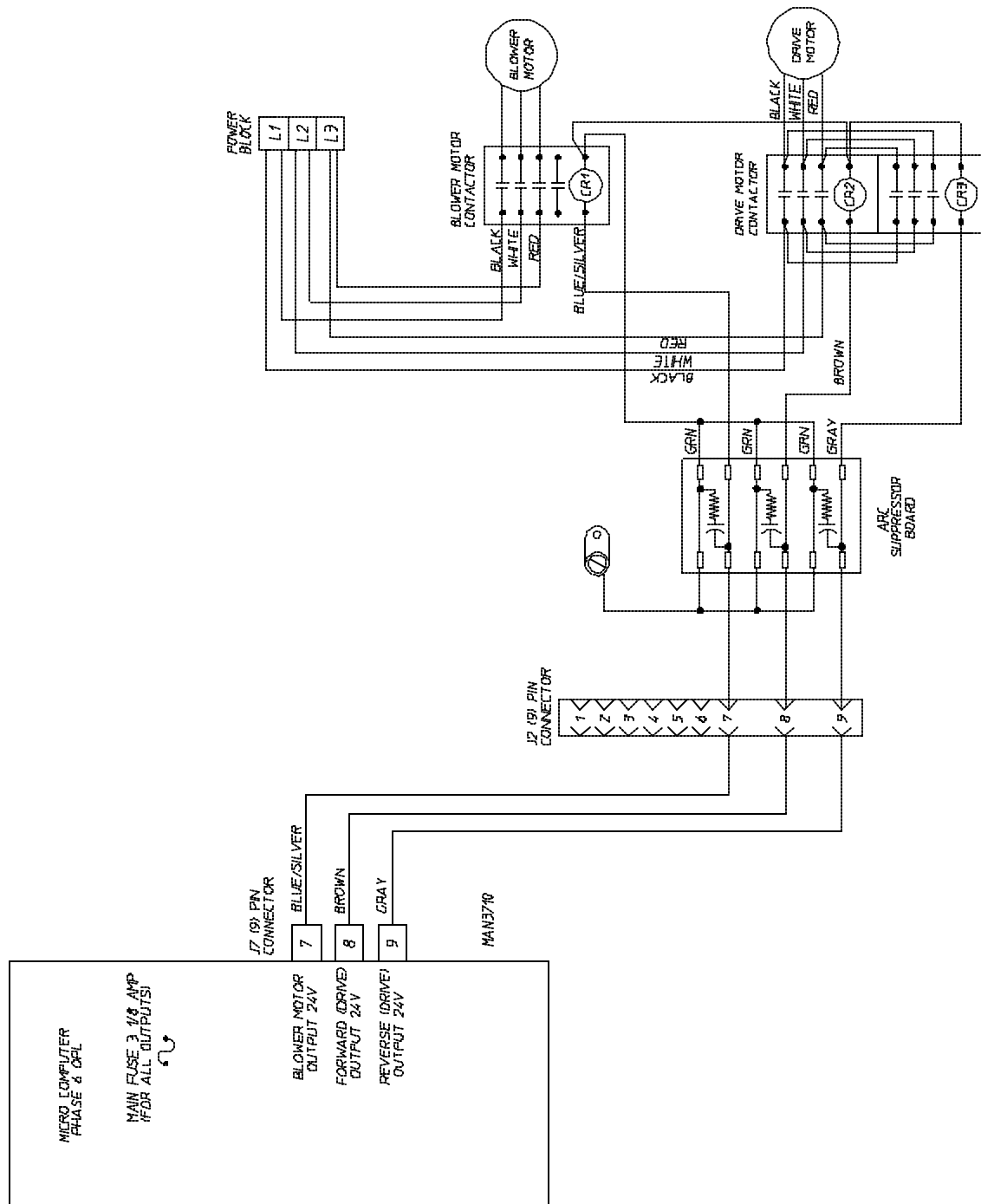
PHASE 6 OPL HEAT CIRCUIT (GAS)



PHASE 6 OPL MOTOR CIRCUIT NON-REV 10



PHASE 6 OPL REVERSING 30



ADC 450187 1- 02/26/98-50 2- 09/21/99-25

