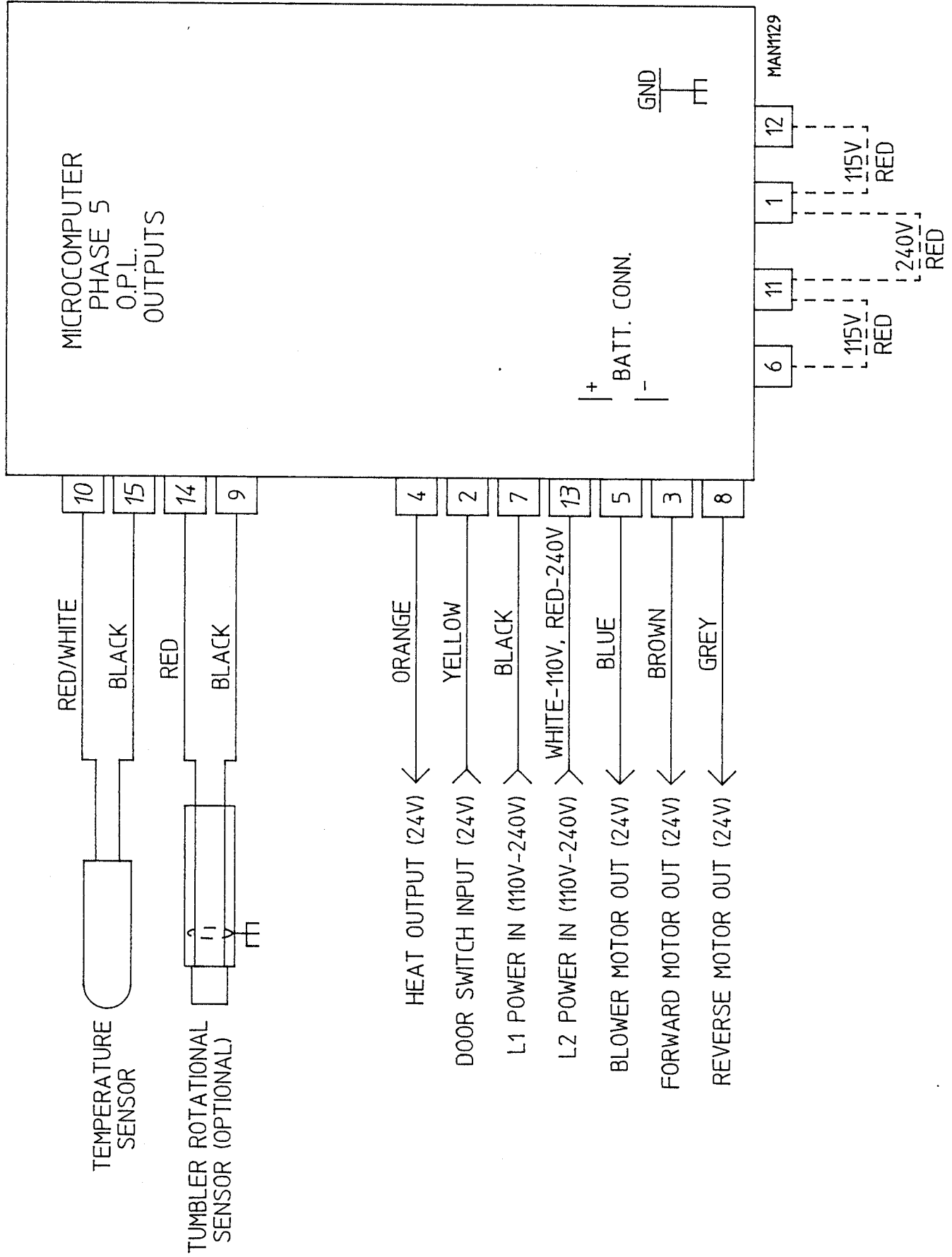




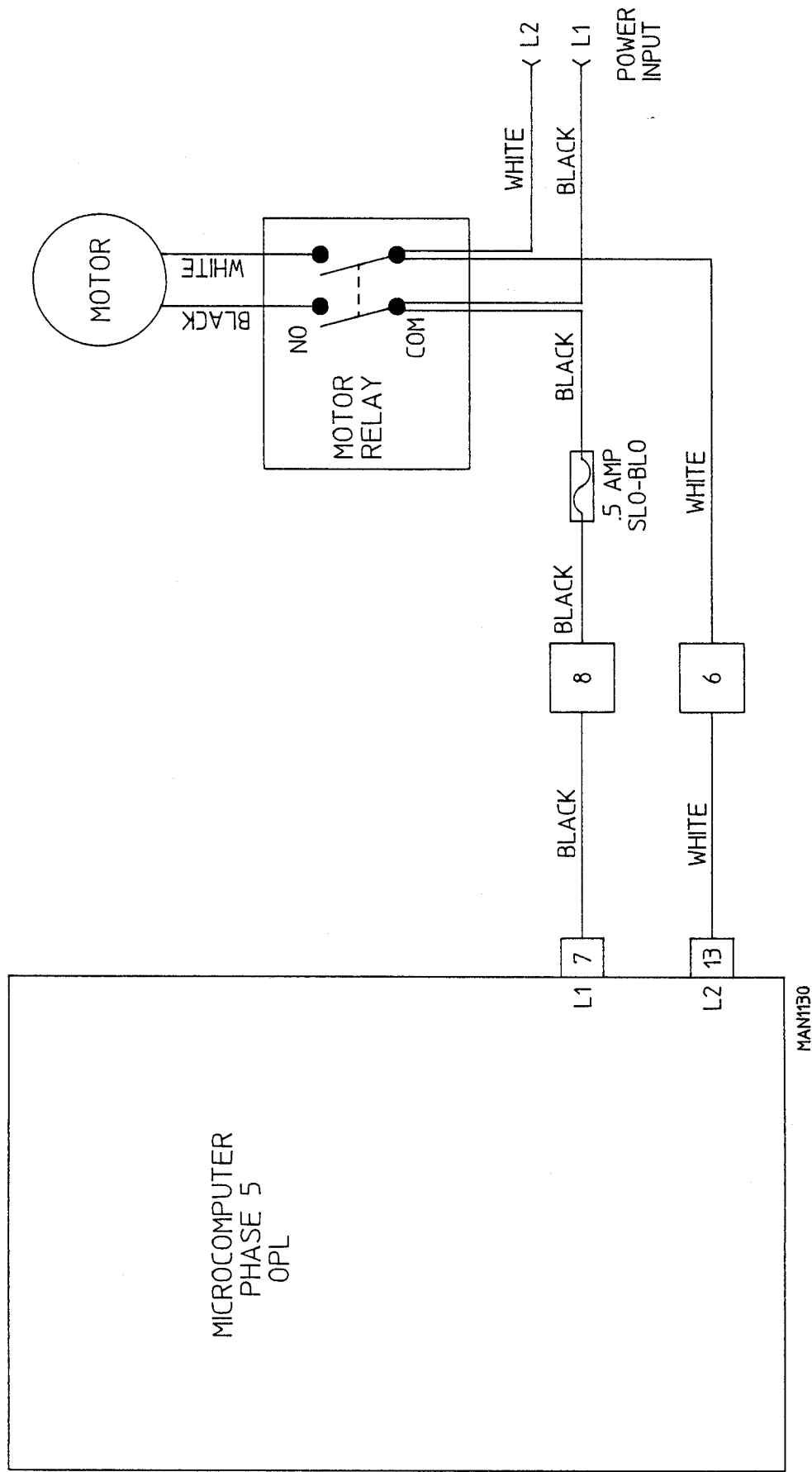
AD-15 thru AD-170
Phase 5 OPL Microprocessor Controls
Coin Diagrams Service Booklet

American Dryer Corporation
88 Currant Road
Fall River MA 02720-4781
Telephone: (508) 678-9000 / Fax: (508) 678-9447
E-mail: techsupport@amdry.com

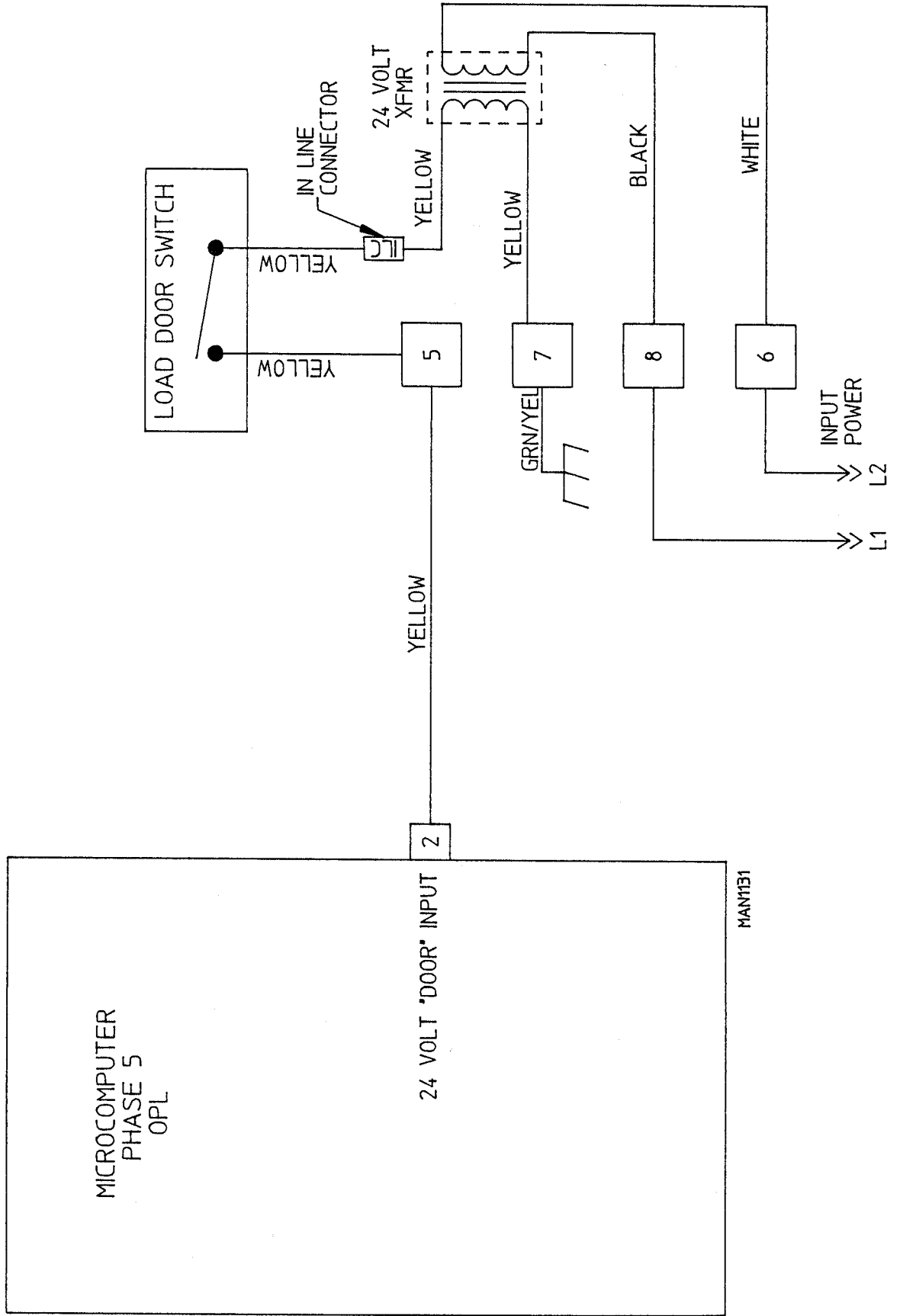
PHASE 5 OPL CONTROLLER CIRCUITS



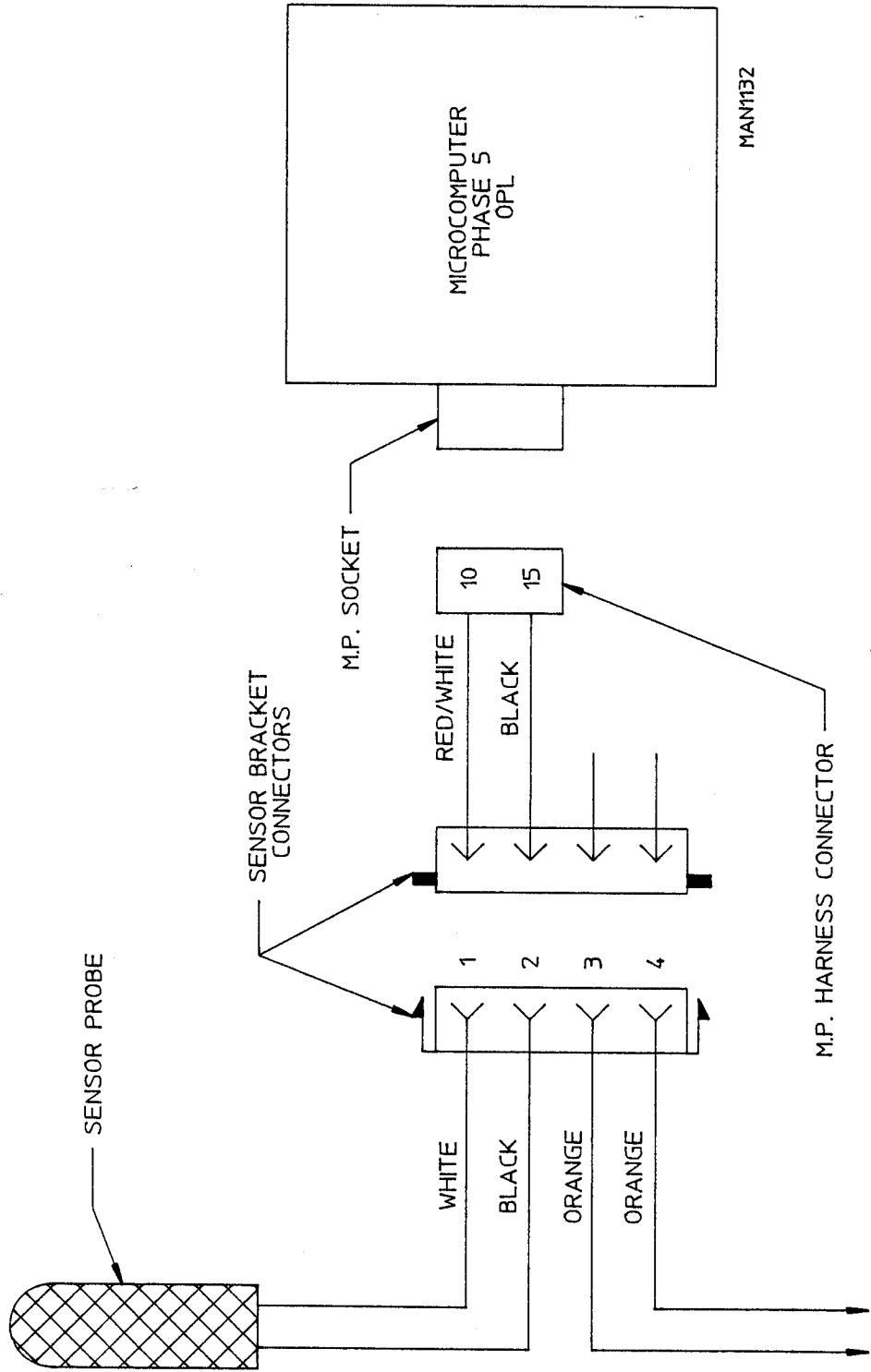
PHASE 5 OPL CONTROLLER MAIN POWER CIRCUIT



PHASE 5, 24 VOLT DOOR SWITCH CIRCUIT



PHASE 5 TEMPERATURE SENSOR CIRCUIT

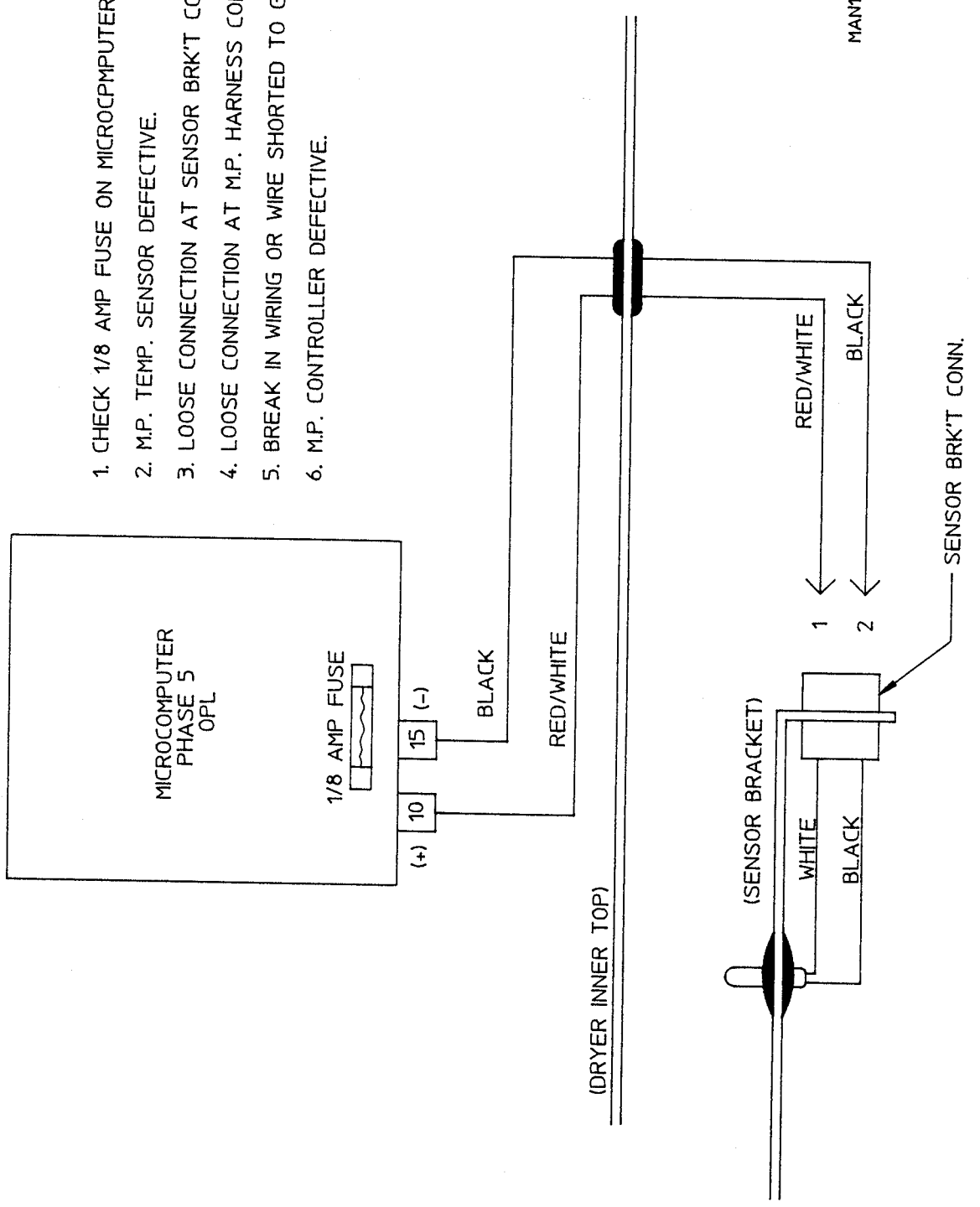


MAN1132

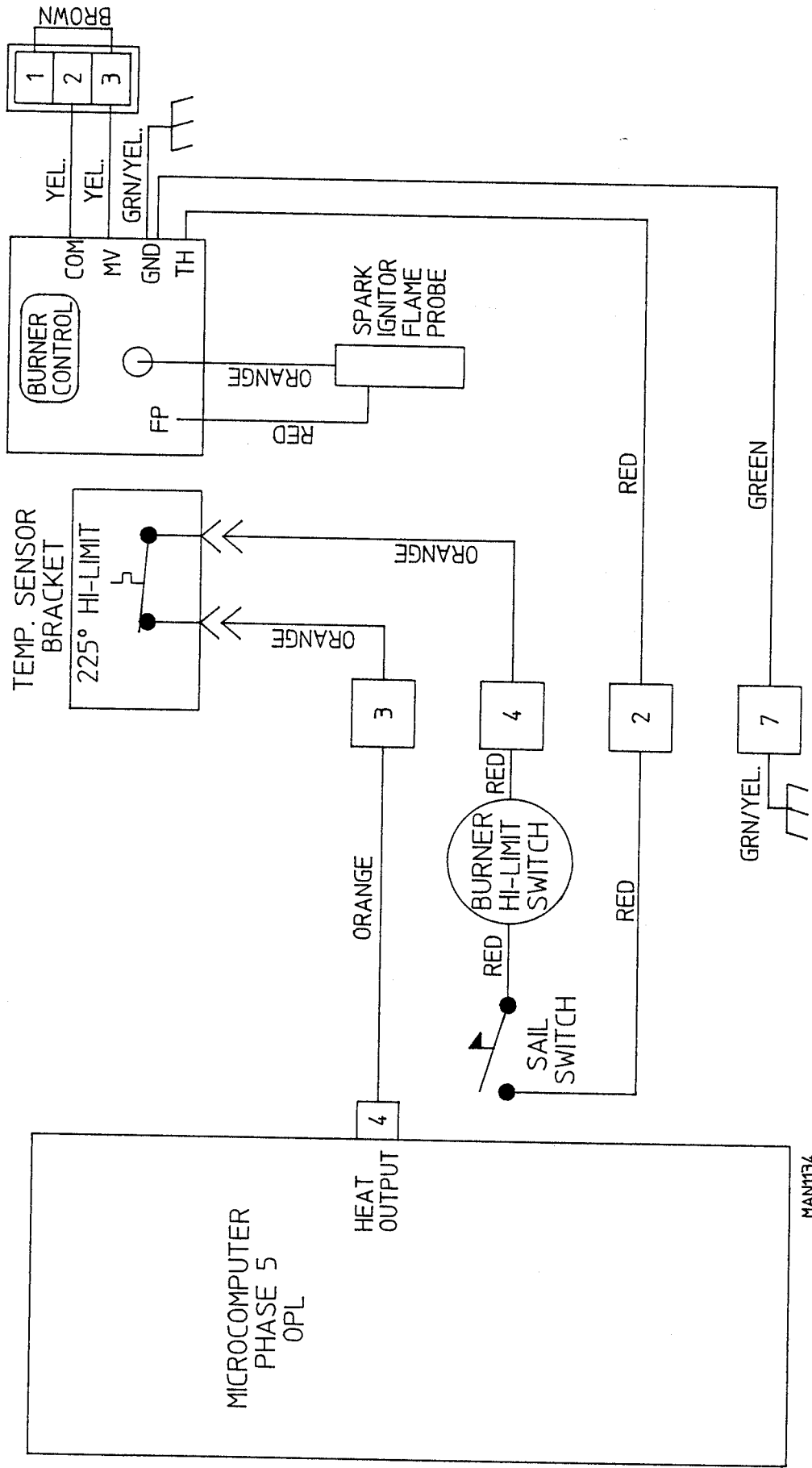
225° THERMOSTAT

PHASE 5 OPL "DSFL" DISPLAY CONDITION

1. CHECK 1/8 AMP FUSE ON MICROCOMPUTER.
2. M.P. TEMP. SENSOR DEFECTIVE.
3. LOOSE CONNECTION AT SENSOR BRK'T CONNECTOR.
4. LOOSE CONNECTION AT M.P. HARNESS CONNECTOR.
5. BREAK IN WIRING OR WIRE SHORTED TO GROUND.
6. M.P. CONTROLLER DEFECTIVE.

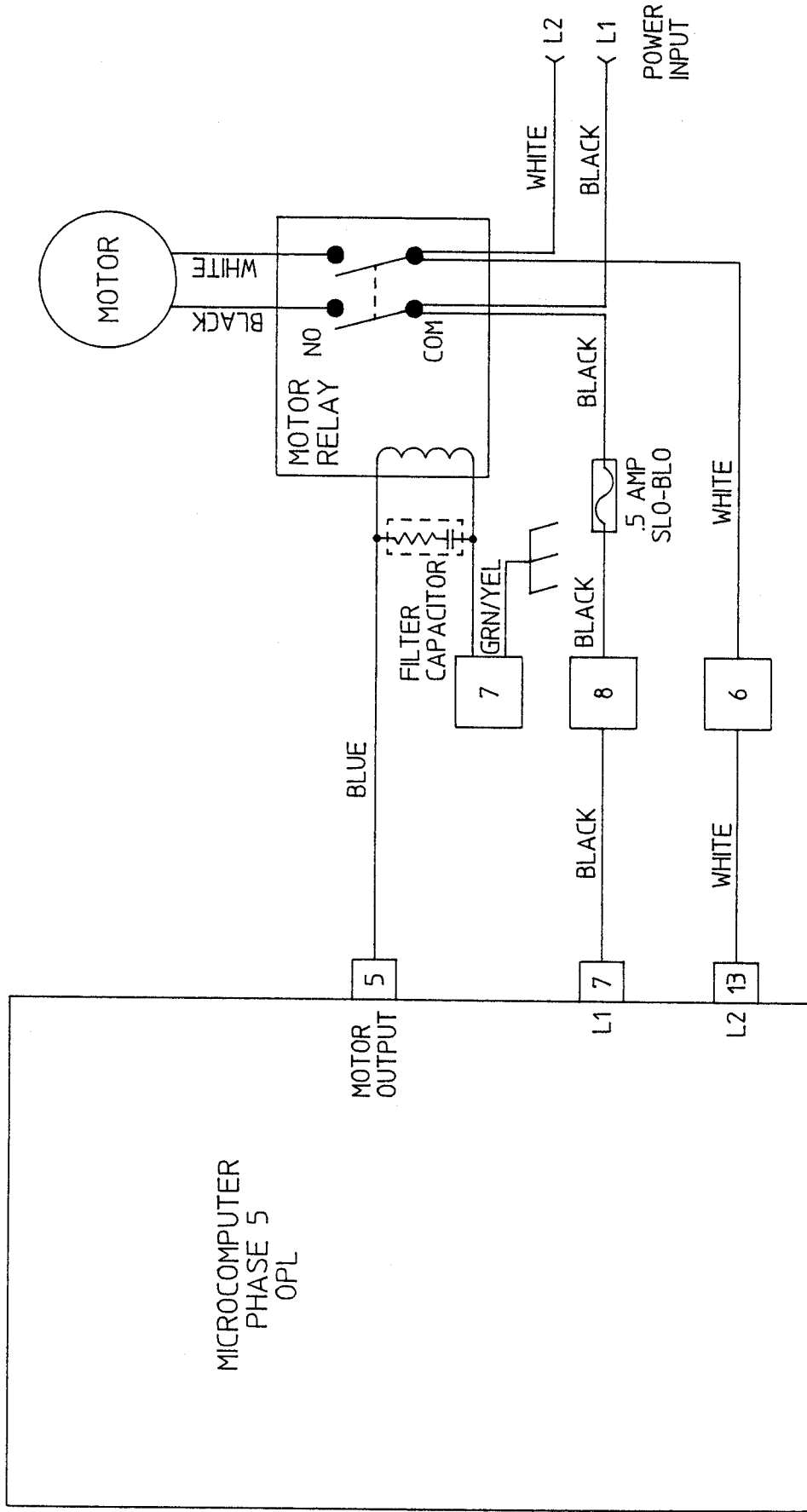


PHASE 5 OPL HEAT CIRCUIT (GAS)

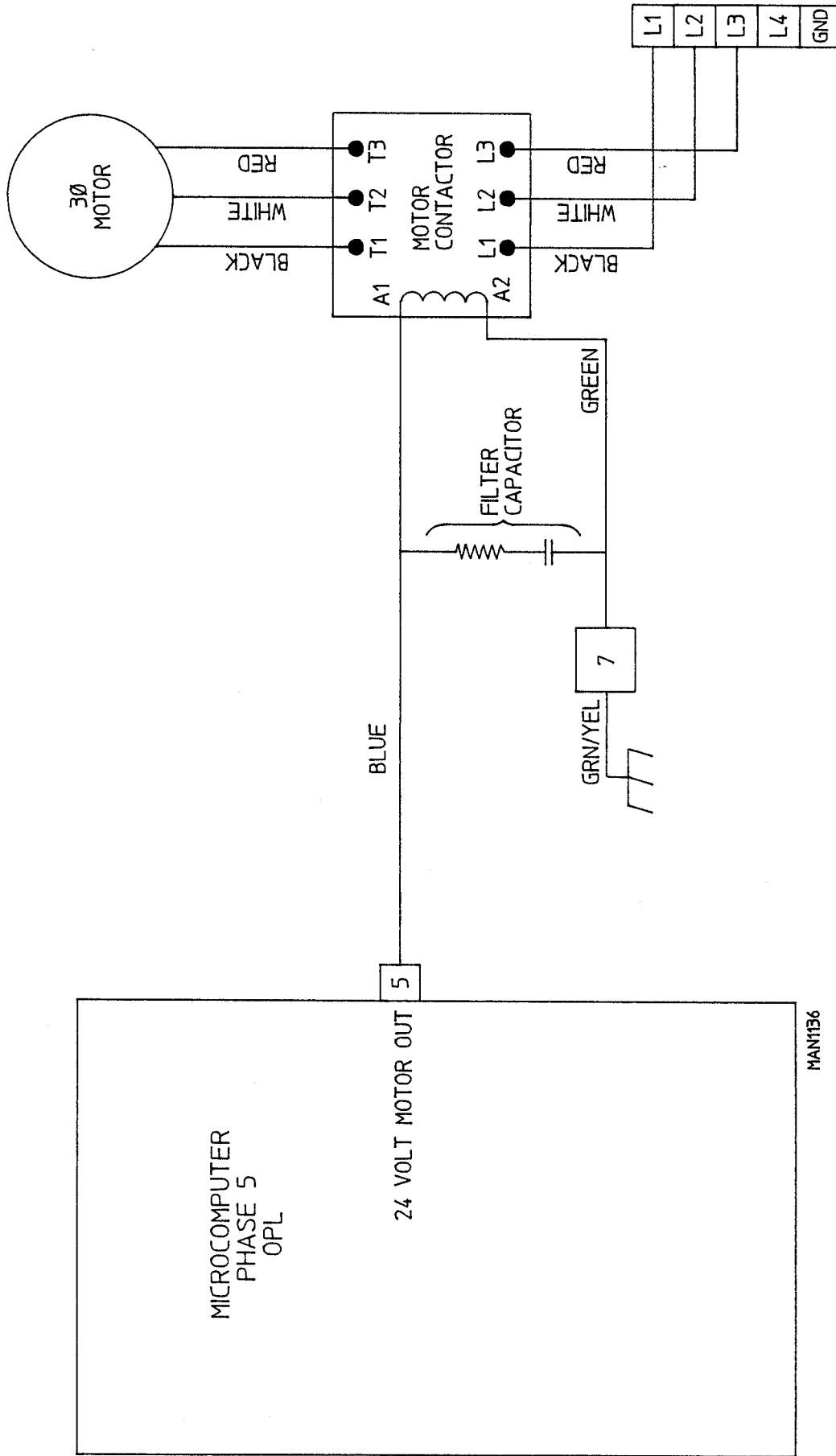


MAN134

PHASE 5 OPL MOTOR CIRCUIT NON-REV. 10

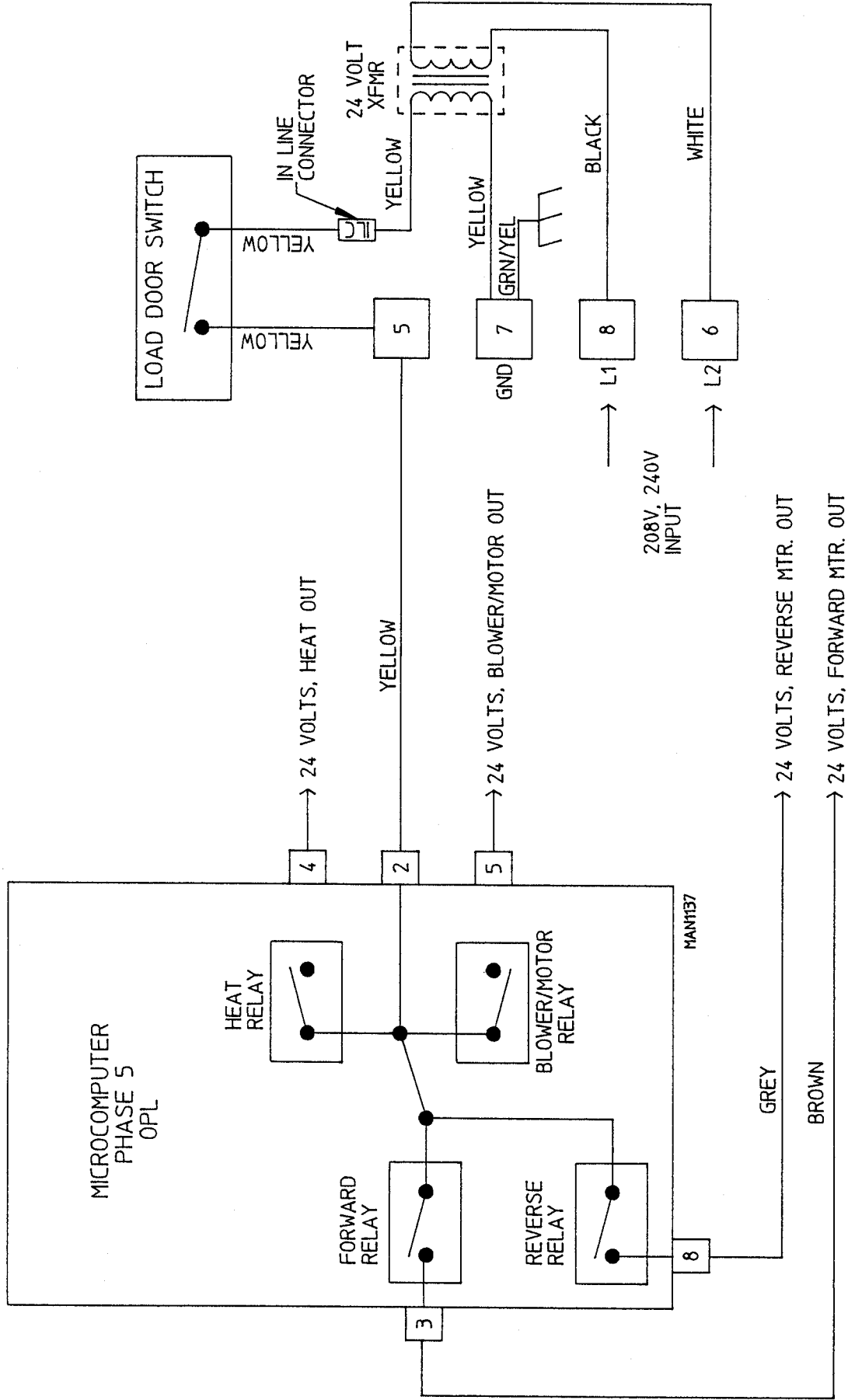


PHASE 5, OPL MOTOR CIRCUIT NON-REV. 30

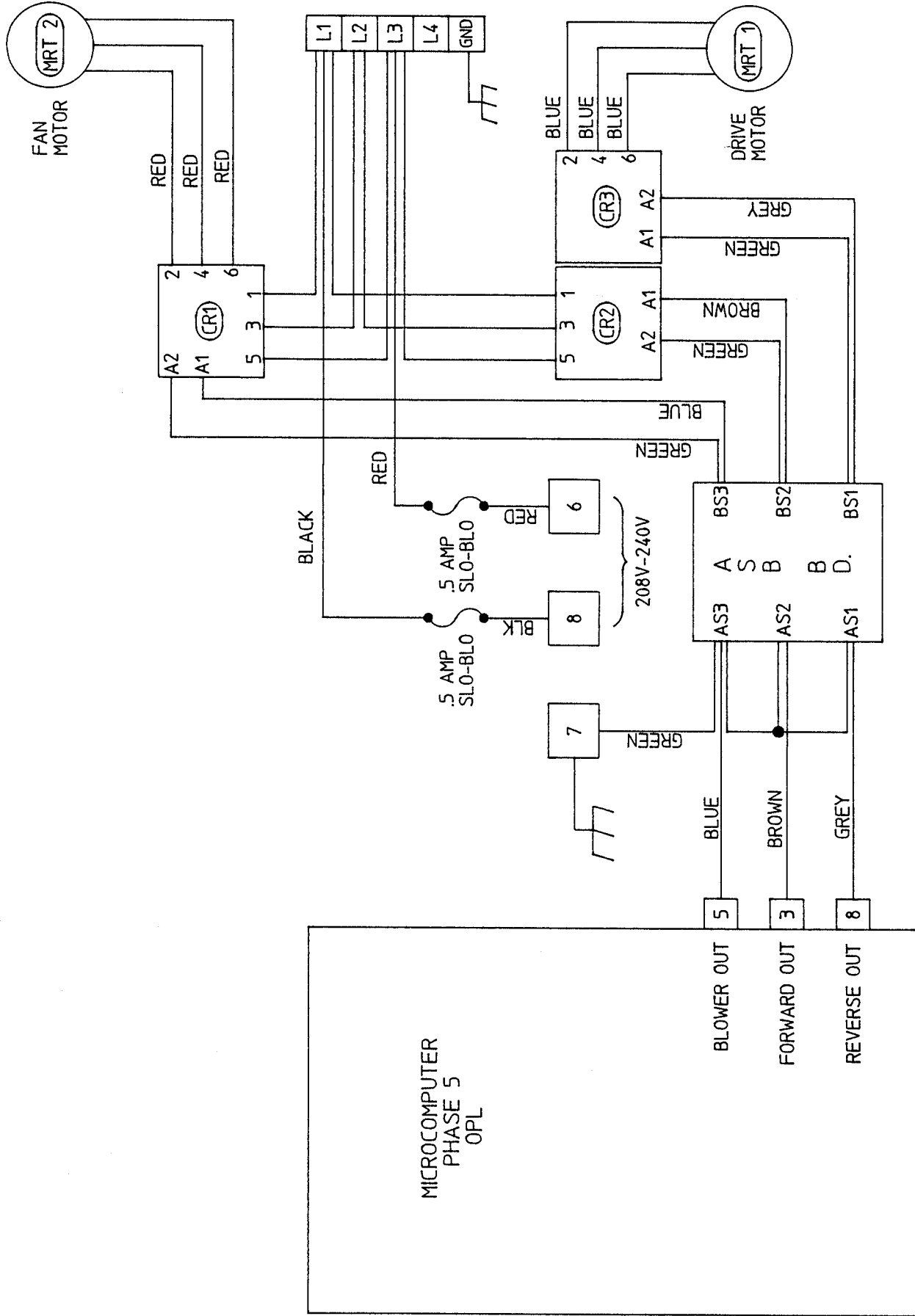


MAN136

PHASE 5, OPL 24 VOLT CONTROL CIRCUIT



PHASE 5, OPL REVERSING 208V-240VOLT 3Ø



MAN138

ADC 450136 1 - 10/29/92-50 2 - 03/18/93-100 3 - 06/10/93-250
4 - 04/20/94-200 5 * 01/19/97-150 6 - 03/30/99-150

