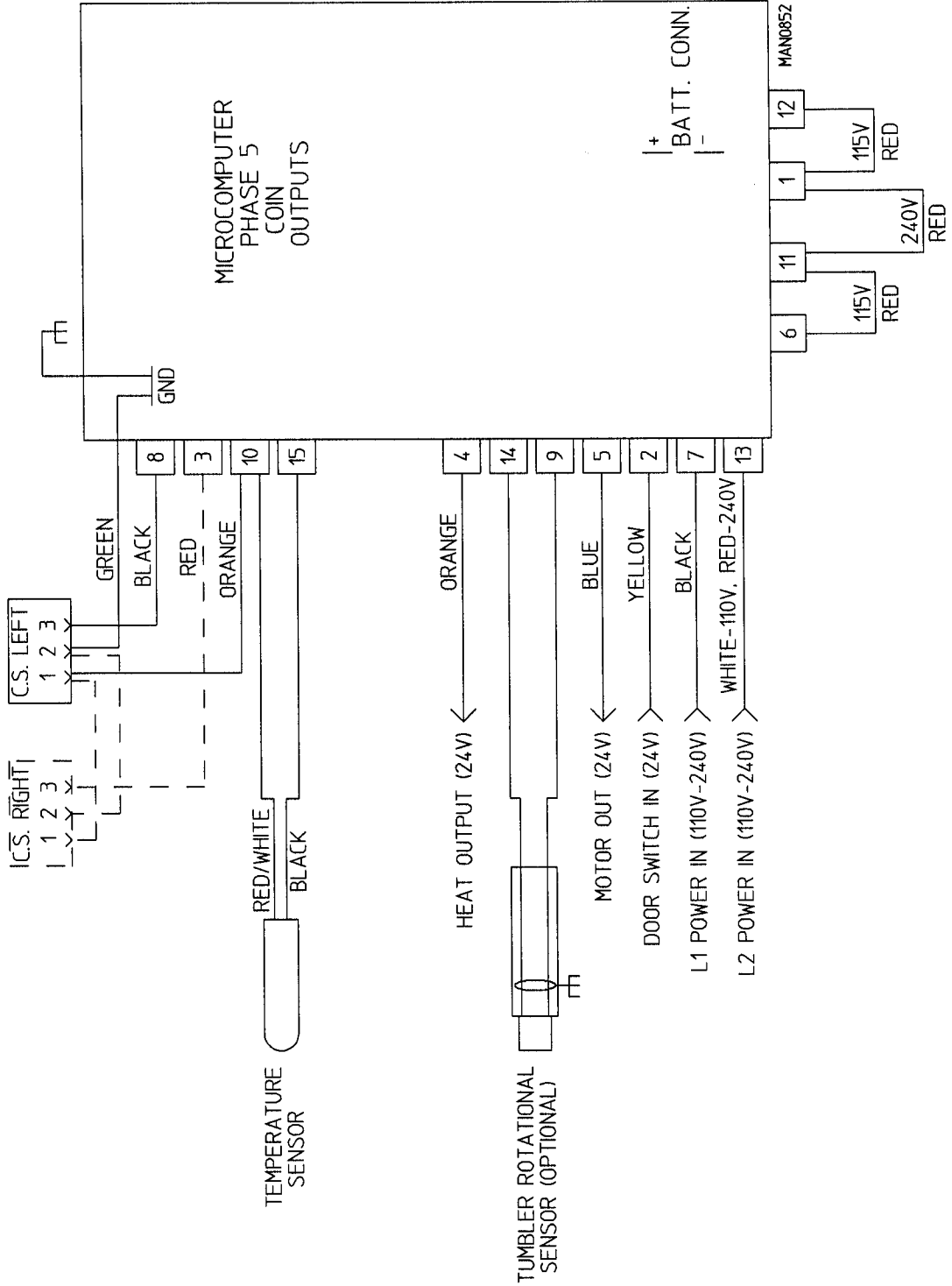


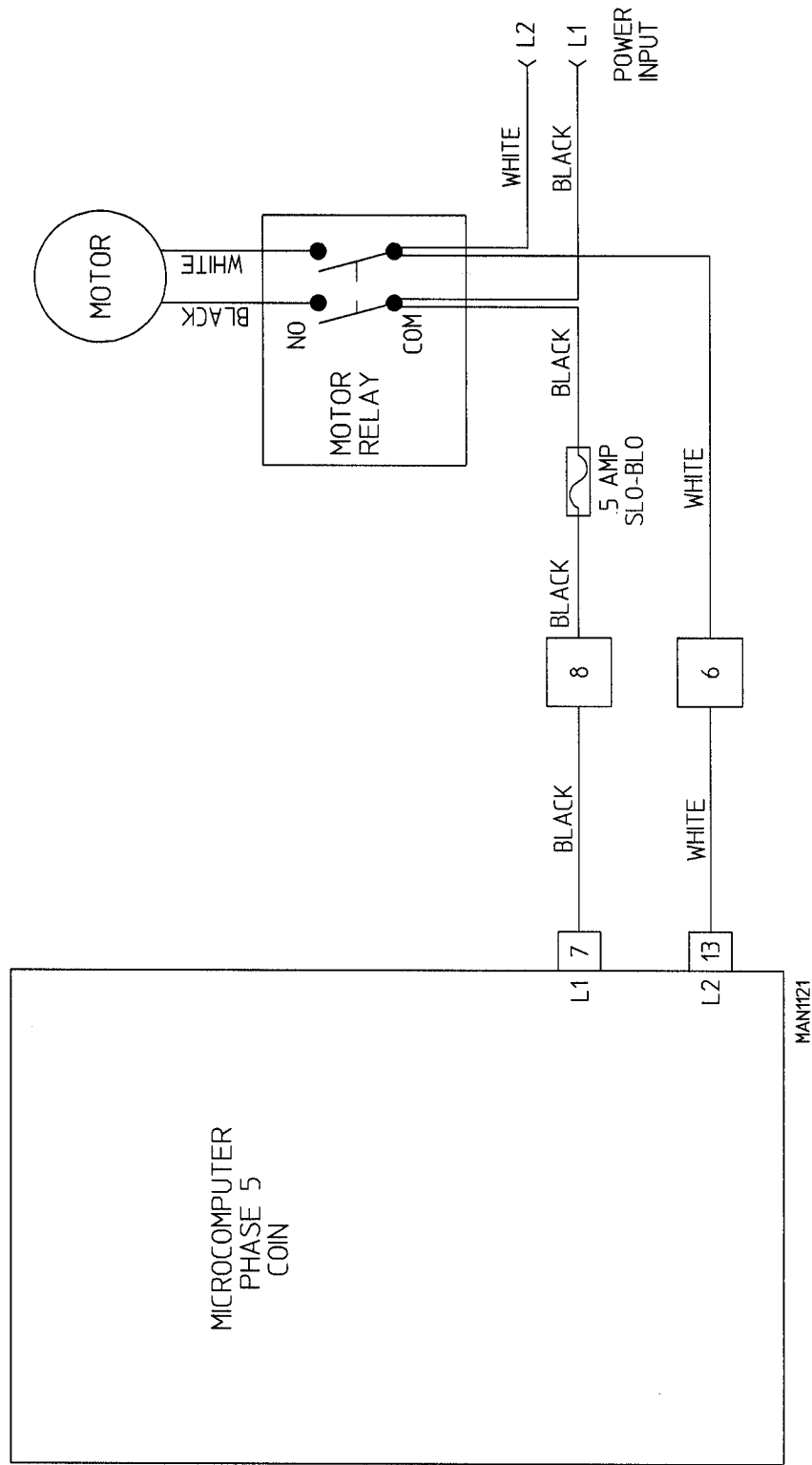
**AD-15, 25, 30, 285, 230, 50
Phase 5 Coin
Wiring Circuit Diagram
Service Booklet**

American Dryer Corporation
88 Carrant Road
Fall River, MA 02720-4781
Telephone: (508) 678-9010 / Cable: AMDRY / Fax: (508) 678-9447

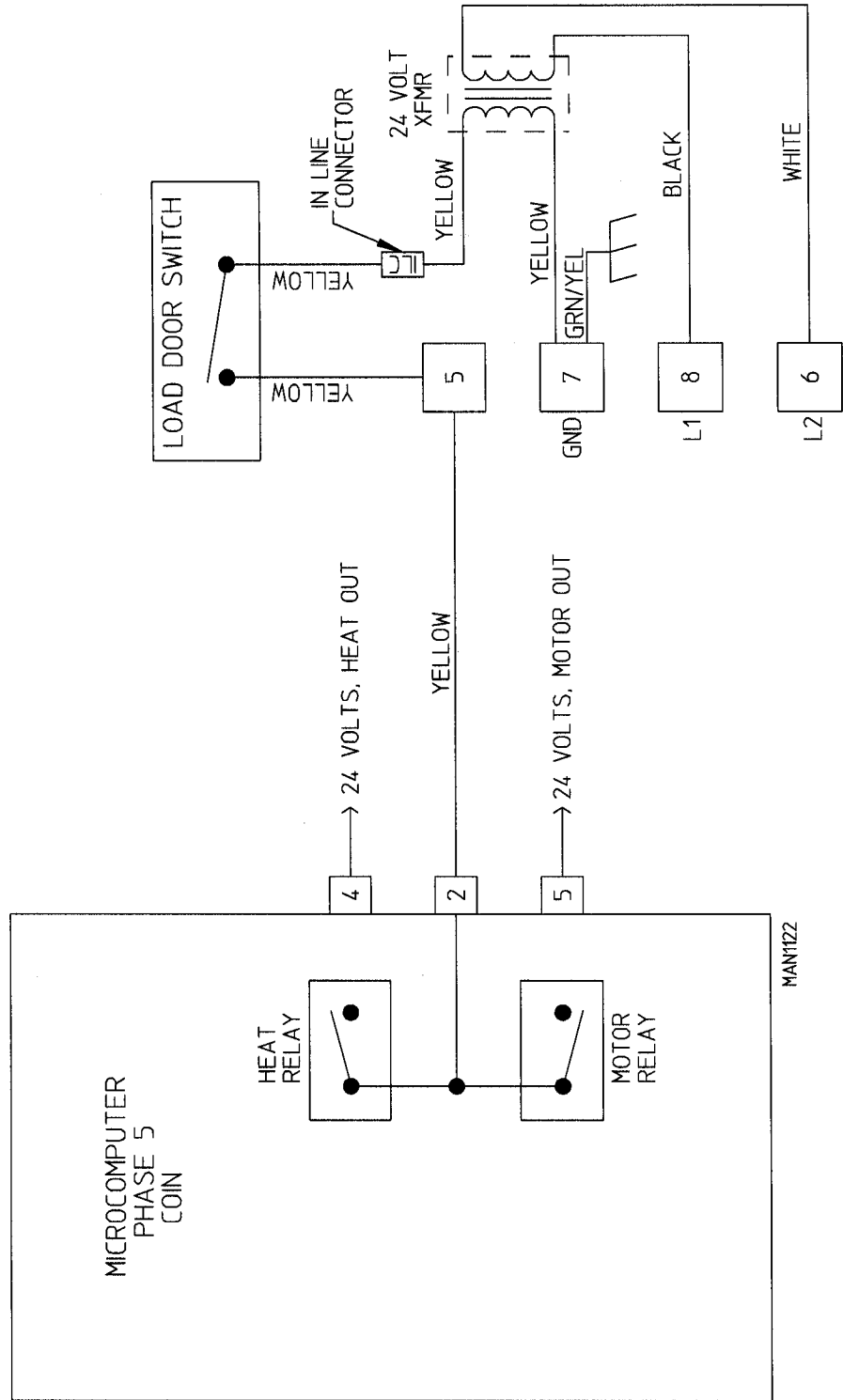
PHASE 5 COIN CONTROLLER CIRCUITS



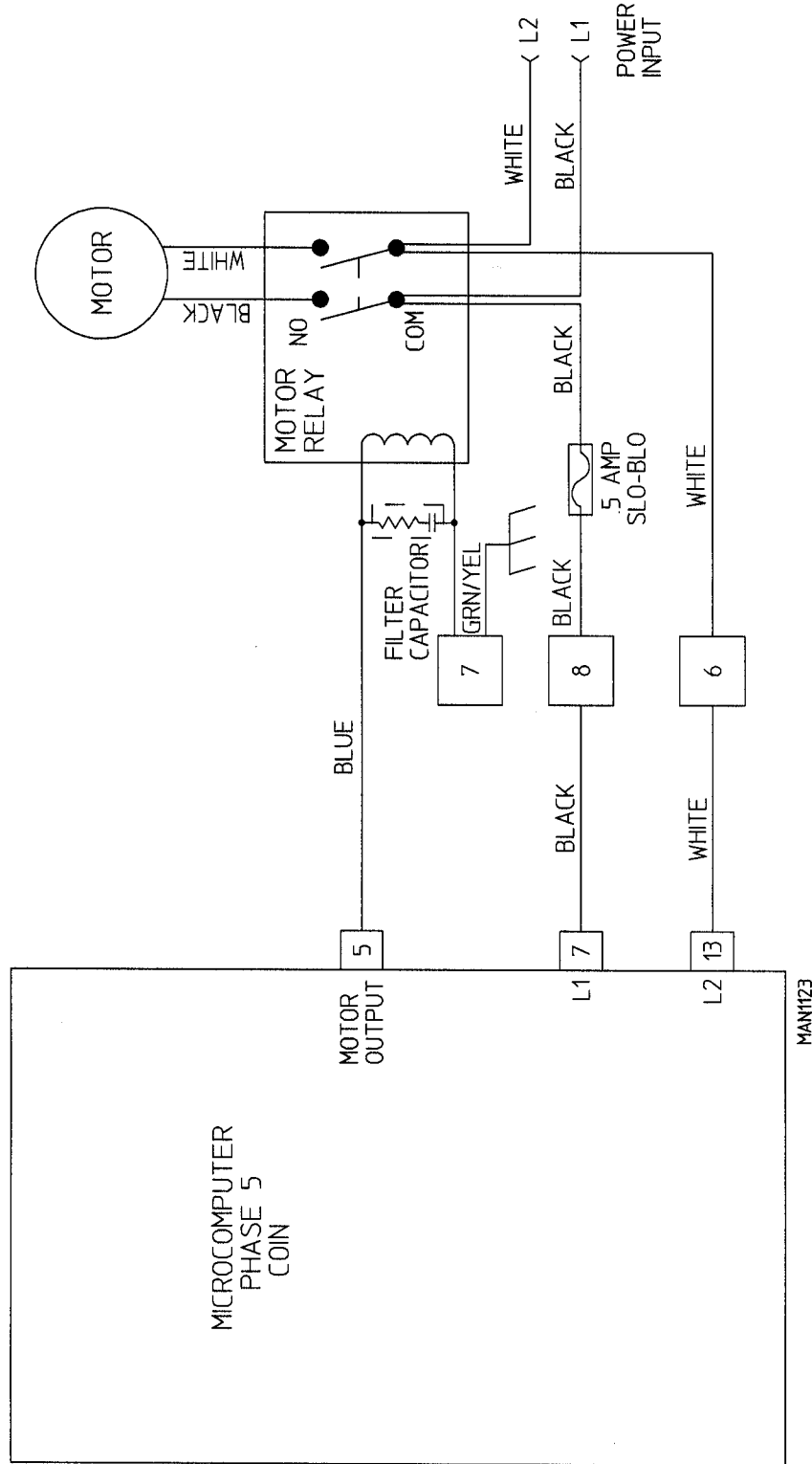
PHASE 5 COIN CONTROLLER MAIN POWER CIRCUITS



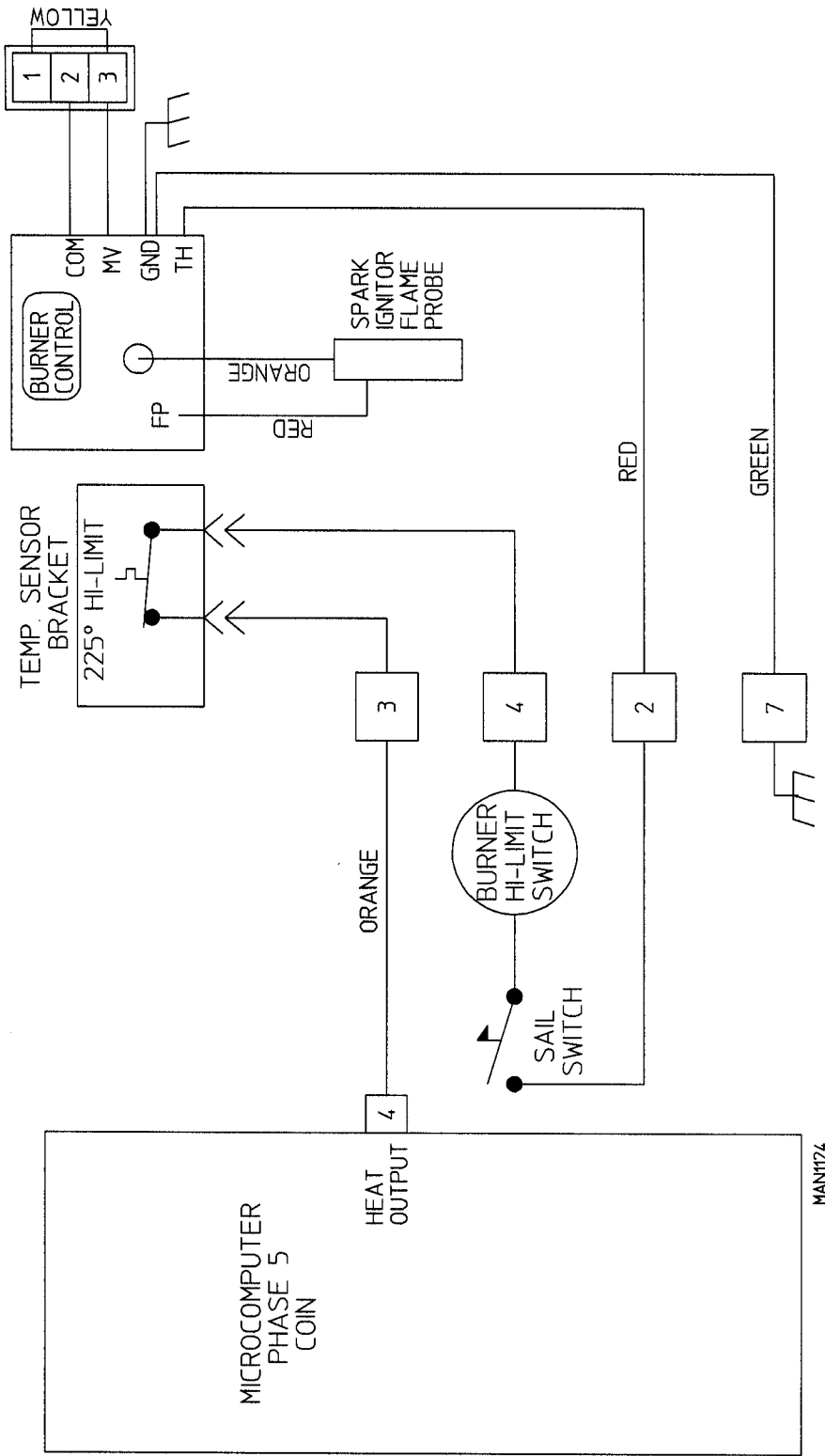
PHASE 5, 24 VOLT CONTROL CIRCUIT



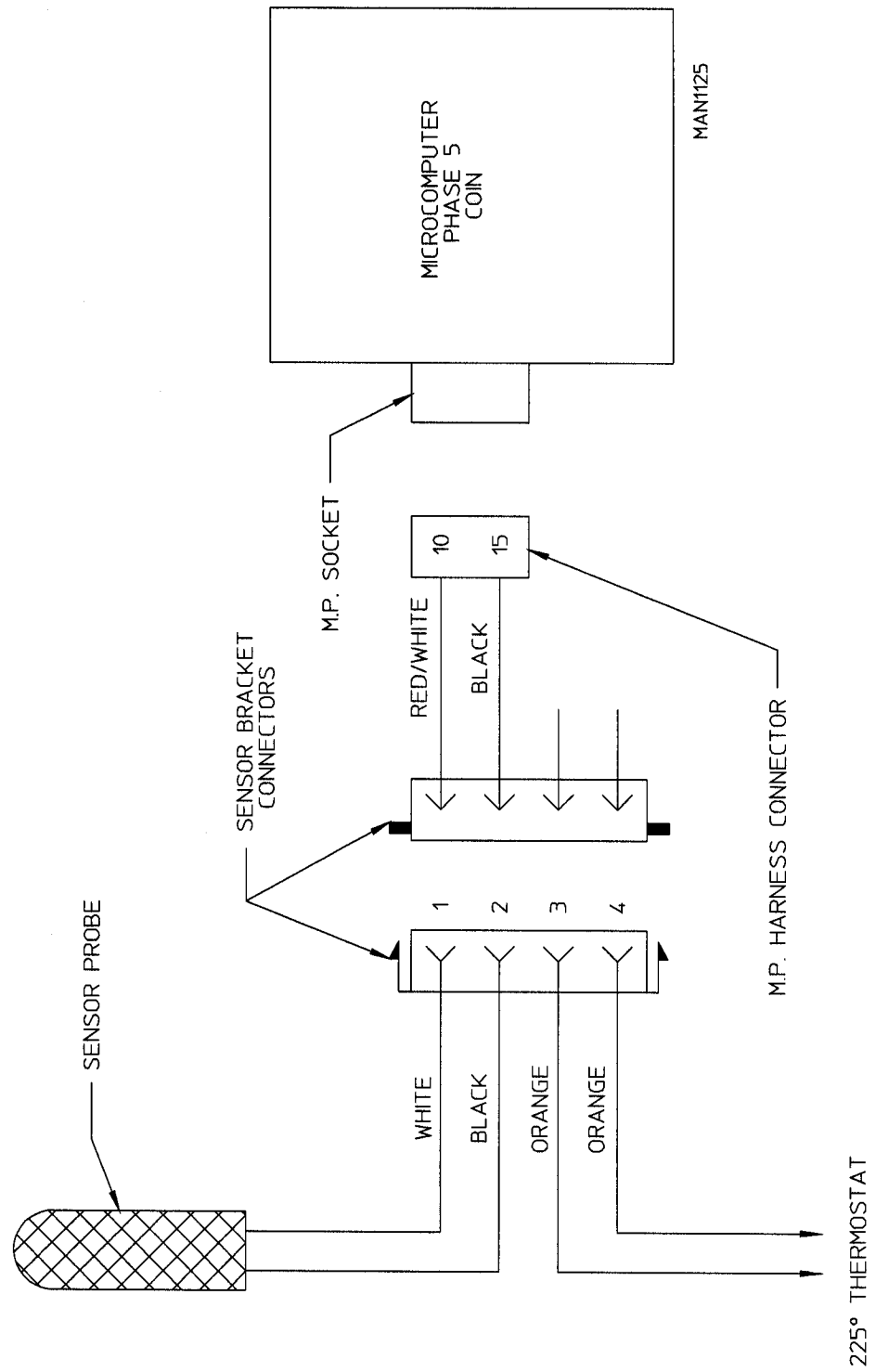
PHASE 5 COIN MOTOR CIRCUIT



PHASE 5 HEAT CIRCUIT

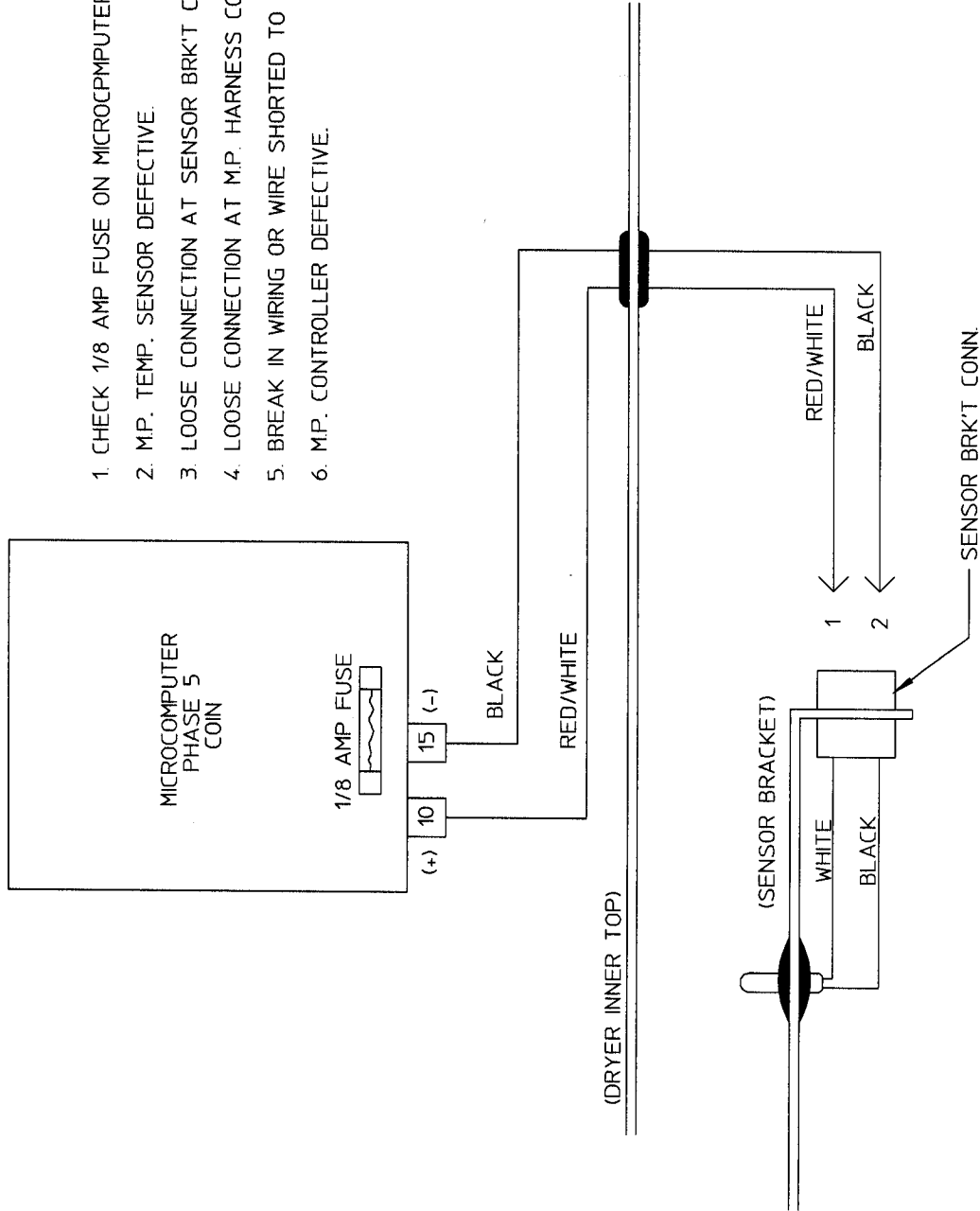


PHASE 5 TEMPERATURE SENSOR CIRCUIT



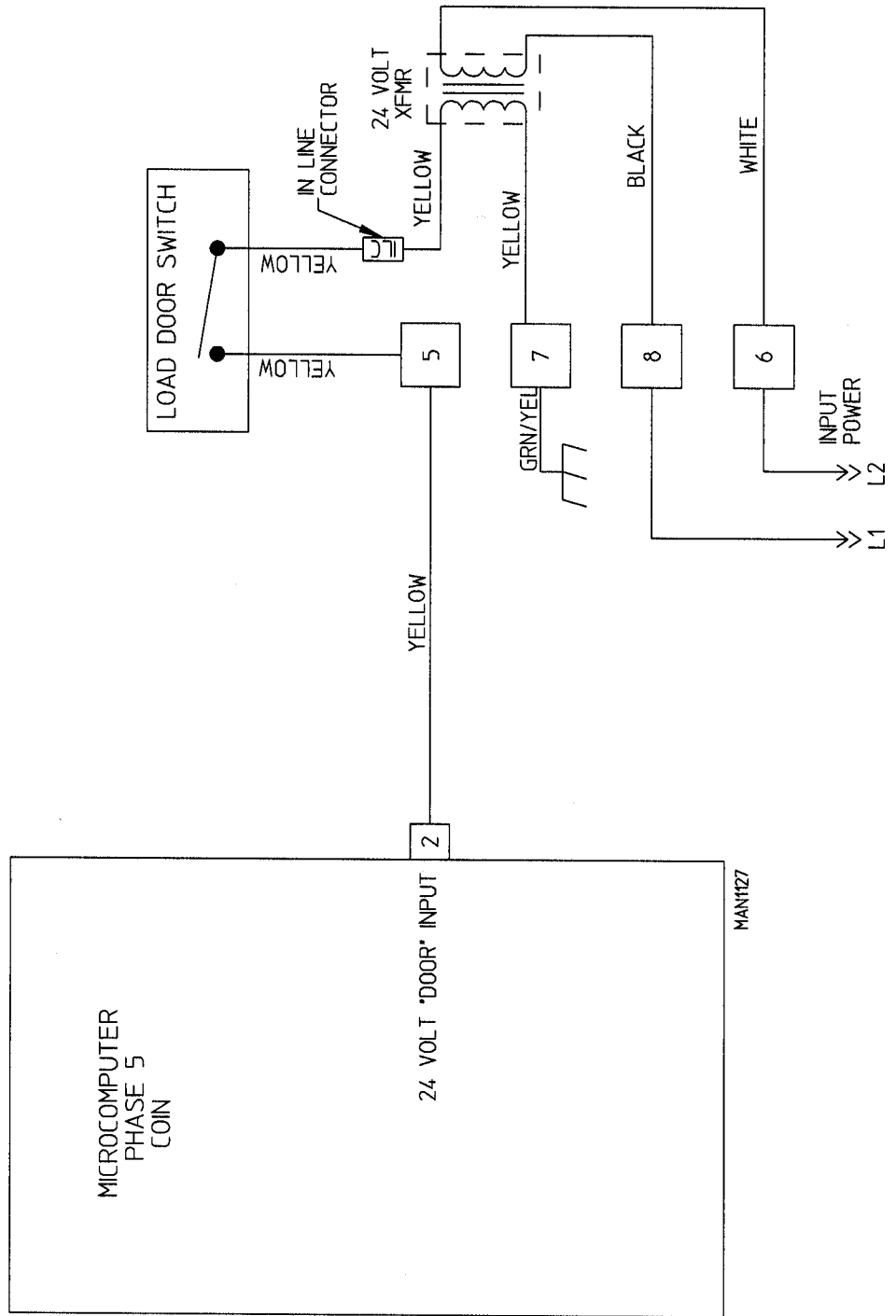
PHASE 5 COIN "DSFL" DISPLAY CONDITION

1. CHECK 1/8 AMP FUSE ON MICROCOMPUTER.
2. M.P. TEMP. SENSOR DEFECTIVE.
3. LOOSE CONNECTION AT SENSOR BRK'T CONNECTOR.
4. LOOSE CONNECTION AT M.P. HARNESS CONNECTOR.
5. BREAK IN WIRING OR WIRE SHORTED TO GROUND.
6. M.P. CONTROLLER DEFECTIVE.



MAN1126

PHASE 5, 24 VOLT DOOR SWITCH CIRCUIT



ADC450137 1- 10/29/92-100 2- 06/10/93-200 3- 02/22/94-200
4* 05/04/95-200 5- 10/28/99-200

