

# AD-200

## 1 Manual Door / 2-Way Tilt Operator's Manual

---

---

**WARNING:** For your safety the information in this manual must be followed to minimize the risk of fire or explosion or to prevent property damage, personal injury or loss of life.

Do not store or use gasoline or other flammable vapor and liquids in the vicinity of this or any other appliance.

### WHAT DO YOU DO IF YOU SMELL GAS

- \* Do not try to light any appliance.
- \* Do not touch any electrical switch; do not use any phone in your building.
- \* Clear the room, building or area of all occupants.
- \* Immediately call your gas supplier from a neighbor's phone. Follow the gas supplier's instructions.
- \* If you cannot reach your gas supplier, call the fire department.

Installation and service must be performed by a qualified installer, service agency or the gas supplier.

---

---



For replacement parts, contact the distributor from which the dryer was purchased or

**American Dryer Corporation**

88 Currant Road

Fall River MA 02720-4781

Telephone: (508) 678-9010 / Fax: (508) 678-9447

E-mail: [service@amdry.com](mailto:service@amdry.com)

# Retain This Manual In A Safe Place For Future Reference

American Dryer Corporation products embody advanced concepts in engineering, design, and safety. If this product is properly maintained, it will provide many years of safe, efficient, and trouble-free operation.

*ONLY properly licensed technicians should service this equipment.*

**OBSERVE ALL SAFETY PRECAUTIONS** displayed on the equipment or specified in the installation/operator's manual included with the dryer.

**WARNING: UNDER NO CIRCUMSTANCES should the door switch or the heat circuit devices ever be disabled.**

**WARNING: The dryer *must never* be operated with any of the back guards, outer tops, or service panels removed. PERSONAL INJURY or FIRE COULD RESULT.**

We have tried to make this manual as complete as possible and hope you will find it useful. ADC reserves the right to make changes from time to time, without notice or obligation, in prices, specifications, colors, and material, and to change or discontinue models.

## Important

For your convenience, log the following information:

DATE OF PURCHASE \_\_\_\_\_ MODEL NO. **AD-200**

DISTRIBUTORS NAME \_\_\_\_\_

Serial Number(s) \_\_\_\_\_

\_\_\_\_\_  
\_\_\_\_\_

Replacement parts can be obtained from your distributor or the ADC factory. When ordering replacement parts from the factory, you can FAX your order to ADC at (508) 678-9447 or telephone your orders directly to the ADC Parts Department at (508) 678-9010. Please specify the dryer **model number** and **serial number** in addition to the **description** and **part number**, so that your order is processed accurately and promptly.

The illustrations on the following pages may not depict your particular dryer exactly. The illustrations are a composite of the various dryer models. Be sure to check the descriptions of the parts thoroughly before ordering.

INSTRUCTIONS TO BE FOLLOWED IN THE EVENT THE USER  
SMELLS GAS MUST BE POSTED IN A PROMINENT LOCATION. THE  
INSTRUCTIONS TO BE POSTED SHALL BE OBTAINED FROM THE  
LOCAL GAS SUPPLIER.

## **IMPORTANT**

**YOU MUST DISCONNECT and LOCKOUT THE ELECTRIC SUPPLY and THE GAS SUPPLY or THE STEAM SUPPLY BEFORE ANY COVERS or GUARDS ARE REMOVED FROM THE MACHINE TO ALLOW ACCESS FOR CLEANING, ADJUSTING, INSTALLATION, or TESTING OF ANY EQUIPMENT per OSHA (Occupational Safety and Health Administration) STANDARDS.**

## **FOR YOUR SAFETY**

**DO NOT STORE OR USE GASOLINE OR OTHER FLAMMABLE VAPOR AND LIQUIDS IN THE VICINITY OF THIS OR ANY OTHER APPLIANCE.**

**DO NOT DRY MOP HEADS IN THE DRYER.**

**DO NOT USE DRYER IN THE PRESENCE OF DRY CLEANING FUMES.**

## **WARNING**

**CHILDREN SHOULD NOT BE ALLOWED TO PLAY ON OR IN THE DRYER(S).**

**CHILDREN SHOULD BE SUPERVISED IF NEAR DRYER(S) IN OPERATION.**

## **CAUTION**

**DRYER(S) SHOULD NEVER BE LEFT UNATTENDED WHILE IN OPERATION.**

## **IMPORTANT**

**PLEASE OBSERVE ALL SAFETY PRECAUTIONS displayed on the equipment and/or specified in the installation/operator's manual included with the dryer.**

**Dryer(s) must not be installed or stored in an area where it will be exposed to water and/or weather.**

# Table of Contents

<b>AD-200 Machine Operation Summary</b> .....	2
AD-200 Front View .....	3
<b>AD-200 Detailed Operation Information</b> .....	4
Dry Routine .....	4
Load/Unload .....	4
<i>Load/Unload Level</i> .....	4
<i>Load Tilted</i> .....	4
<i>Unload Tilted</i> .....	4
<i>Dry</i> .....	4

# AD-200

## 1 Manual Door / 2-Way Tilt

### MACHINE OPERATION SUMMARY

This AD-200 incorporates one (1) Emergency Stop Button located on the right front control door (refer to the illustration on [page 3](#)). This button is either "TURN TO RELEASE" or "PUSH-PULL" and **must be** in the released mode to power the machine. The Phase 5 microcomputer's display will light when the Emergency Stop Button is released. To turn on the AD-200's control voltage, press the green "ON" button located also on the right front control panel.

**NOTE:** If a Sprinkler System is incorporated in the machine, the Sprinkler System **must be** powered for the control power to engage. Refer to the [AD-200 Sprinkler System Manual](#) for Sprinkler System information.

The AD-200 has two (2) electronic controllers:

- Phase 5 micro-computer...for material drying.
- Micro-1 PLC (Programmable Logic Controller)...for jog and tilt control.

The Micro-1 PLC (Programmable Logic Controller) controls jog and tilt functions only when the AD-200 is not drying material.

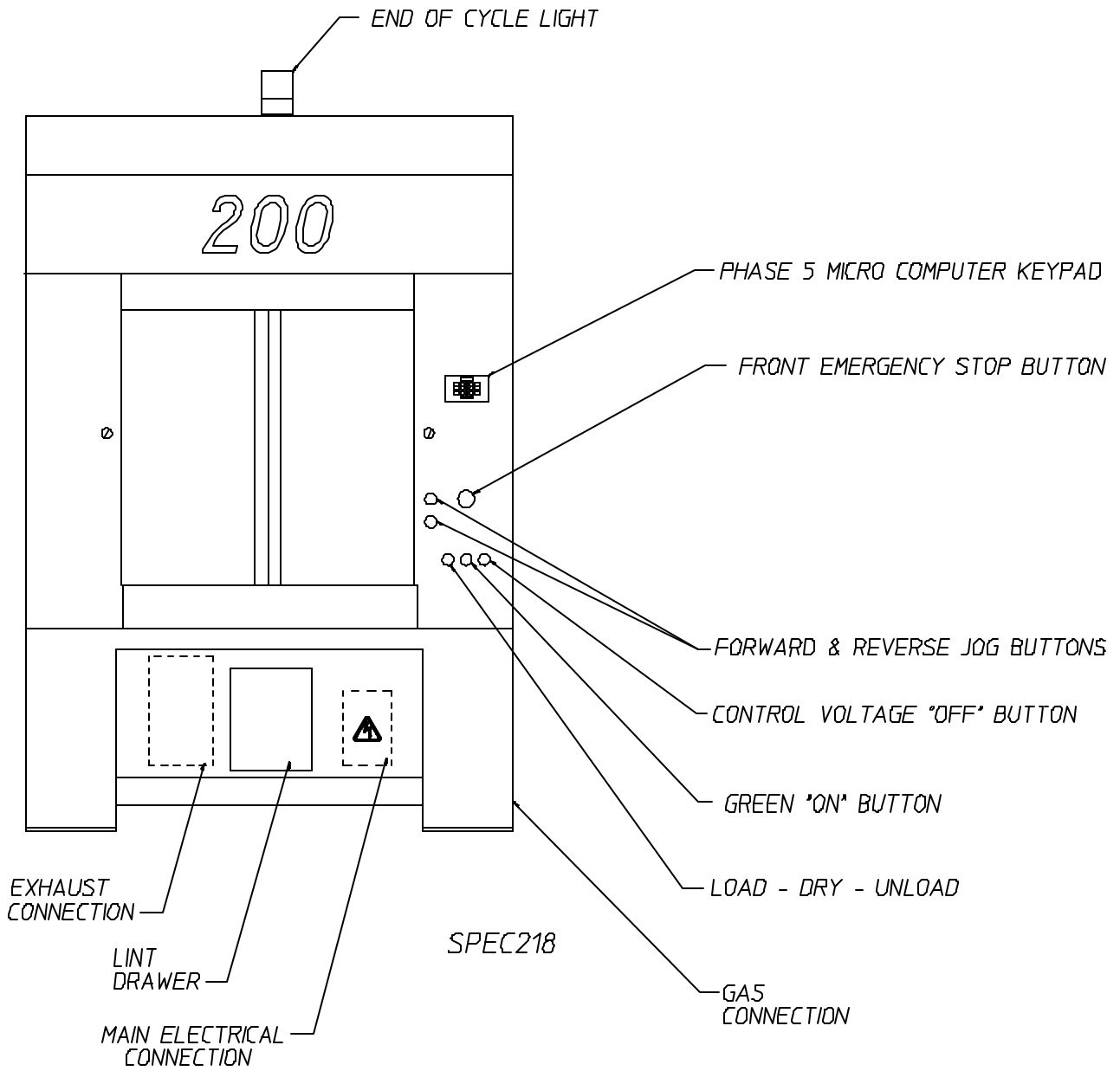
"LOAD - DRY - UNLOAD" selector switch, located on the right front control door (refer to the illustration on [page 3](#)), is provided for loading and unloading the AD-200.

**IMPORTANT:**

- The lint drawer **must be** closed prior to any tilting commands. Failure to close the lint drawer completely (to engage the lint drawer closed switch) will prevent any tilting command.
- Load Doors **must be** open prior to tilting forward or backward.

# AD-200

## Front View



## **AD-200 DETAILED OPERATION INFORMATION**

### **DRY ROUTINE**

To dry material, the **"LOAD - DRY - UNLOAD"** selector switch **must be** in the Dry Position, the front doors **must be** closed, and tumbler section level.

Anytime the airjet signal is asserted the **"END OF CYCLE"** light will begin to flash once a second and remain on until the load doors are opened.

### **LOAD/UNLOAD**

#### **"LOAD/UNLOAD" LEVEL**

When the load doors are opened:

- The **"END OF CYCLE"** light will stop flashing.

**NOTE:** The manual jog feature operates in the level or tilted position.

#### **"LOAD TILTED"**

A **"LOAD TILTED"** selection will cause the following to occur:

- The tumbler section will tilt to the rear (front up).
- The manual jog function will allow the operator to jog the tumbler forward or reverse to load material into the tumbler.

#### **"UNLOAD TILTED"**

The **"UNLOAD TILTED"** selection will cause the following to occur:

- The tumbler section will tilt to the front (rear up).
- The manual jog function will allow the operator to jog the tumbler forward or reverse to unload material from the tumbler.

#### **"DRY"**

If the machine is in the level position, the **"DRY"** selection will:

- Enable the Phase 5 Drying Selections, if the load doors are closed.

If the machine is in the tilted position, the **"DRY"** selection will:

- Level the tumbler section.
- Enable the Phase 5 Drying Selections, if the load doors are closed.

ADC 113021 1- 06/25/97-10 2- 07/01/97-5 3-09/30/99-25

