

WHIRLPOOL BRAND COMMERCIAL WASHERS

LARGE CAPACITY WASH BASKET

- Ideal for Handling Family Size Loads
- Extra-Large Door Opening
- See through Door Window

PORCELAIN FINISH

- Porcelain Finish on Top with Backsplash
- Resists Chipping and Scratching

MICROPROCESSOR CONTROLS

- Time Remaining Display
- Front Controls for Ease-of-Use
- Debit Card Compatible

AUTOMATIC DETERGENT, SOFTENER AND BLEACH DISPENSER

HIGH EFFICIENCY DESIGN OFFERS SIGNIFICANT UTILITY SAVINGS

- MEF 2.1**
- WF 4.4**
- ENERGY STAR® Rated
- CEE Tier II

SOFT MOUNT DESIGN FOR EASY INSTALLATIONS

ADA COMPLIANT WITH OPTIONAL PEDESTAL



**INDUSTRIAL
STRENGTH WATER
INLET HOSES**
Tested to 600 PSI

HIGH EFFICIENCY COMMERCIAL WASHER

Featuring Microprocessor Controls



Shown with optional pedestal and coin drop.

MEF 2.1**
WF 4.4**

ENERGY STAR®
RATED

CEE Tier II

CHW9900VQ – 27" Washer With Metercase

Machine Accepts the Following Payment Systems (not included):

- Coin Slide
- Retrofit Coin Drop
- Retrofit Coin Reader
- OPL Non-Coin Money Acceptor and Coin Box Covers
- 2.99 Cu. Ft. Wash Basket
- Push Button Controls
- High Efficiency, Low Water Factor
- Combination of 9 Cycle Options
- Variable Speed Motor for Best Cleaning Performance
- Automatic Water Level Control
- Porcelain Finish on Top with Backsplash Resists Chipping and Scratching
- High Speed Spin 800 RPM (approx.), Reduces Dry Time
- Removable Front Service Panel
- Commercial Grade Water Inlet Hoses with Brass Couplings
- **3 Year Limited Parts Only Warranty***
- **Money Acceptors Sold Separately**

*Call 1-800-NO-BELTS for warranty details

**Preliminary - Final numbers will be available August 2008.

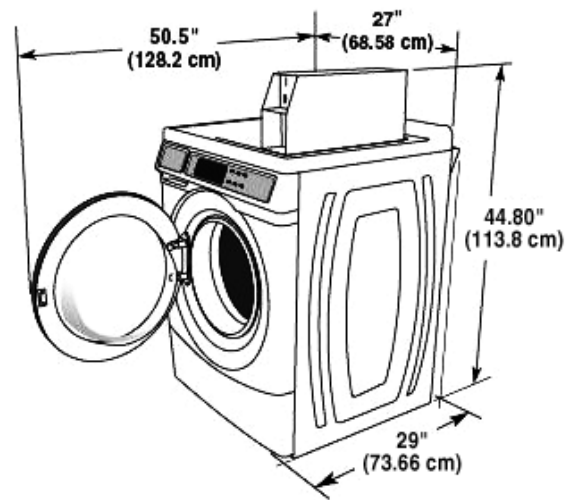
COMMERCIAL WASHER SPECIFICATIONS

Whirlpool® Front-Load Washer MICROPROCESSOR CONTROLS

WASHER SPECIFICATIONS	
MODEL	CHW9900VQ
MOTOR	
Variable-speed, reversible, thermoprotected, high-efficiency controlled induction	
Wash – HP (kw)	.09 (.07)
Extract – HP (kw)	.54 (.40)
Average kilowatt per cycle	.08
APPROXIMATE WATER USAGE – gallons (liters)	
Average hot water usage, hot cycle	3.5 (13.2)*
Average hot water usage, warm cycle	2.6 (9.8)*
ELECTRICAL RATING	
Domestic model – voltage	120V/60Hz
BREAKER/FUSE REQUIREMENTS	
Domestic amps	15
CYLINDER	
Volume – cu. ft. (liters)	2.99 (84.7)
Diameter – in. (mm)	21.6 (547)
Depth – in. (mm)	13.4 (341)
DOOR OPENING	
In. (mm)	14.2 (361)
WASH SPEED	
RPM	31-40
EXTRACT SPEED	
Maximum rpm	800
Maximum g-force	214
OPERATING PRESSURE	
Psi (bar)	20-100 (1-8)
INLET HOSE	
Ft. (m)	4 (1.22)
DRAIN HOSE	
Ft. (m)	6 (1.83)
ADJUSTABLE LEVELING LEGS	•
APPROXIMATE WEIGHT	
Crated — lbs. (kg)	263 (119.3)
Uncrated — lbs. (kg)	247 (112.0)
DIMENSIONS	
Width — in. (mm)	27 (685.8)
Depth — in. (mm)	29 (736.6)
Height — in. (mm)	44.80 (1137.92)

*Preliminary numbers average based on J1 testing with factory installed preset cycles. See specific instructions for proper installation. Because of continuous product improvement, Whirlpool reserves the right to change specifications without notice.

Whirlpool® Commercial Washer ENERGY STAR® RATED HIGH-EFFICIENCY FRONT-LOAD WASHER



Dimensions are for planning purposes only. See Whirlpool® Installation Instructions for full details.



NEW YORK CITY
M.E.A.



3 YEARS LIMITED PARTS ONLY WARRANTY

For a period from the date of original purchase through the time listed above, the designated parts that fail in normal commercial use will be repaired or replaced free of charge for the part itself, with the owner paying all other costs, including labor, transportation and customs duty. Chemical damage is excluded from all warranty coverage. See complete warranty for details.

To Locate a Distributor Near You, Please Visit www.whirlpoolcommerciallaundry.com/distributor, or call 1-800-NO-BELTS

©Registered trademark/™Trademark of Whirlpool, U.S.A. ©2008 Whirlpool Corporation. All rights reserved.
Whirlpool Corporation • Benton Harbor, Michigan 49022 U.S.A.